



US00D619450S

(12) **United States Design Patent**  
**Yoshiguchi**

(10) **Patent No.:** **US D619,450 S**  
(45) **Date of Patent:** **\*\* Jul. 13, 2010**

(54) **CORD LOCK DEVICE FOR POLE HOLDER**

D584,942 S \* 1/2009 Yoshie ..... D8/383

(75) Inventor: **Manabu Yoshiguchi**, Kamakura (JP)

\* cited by examiner

(73) Assignee: **Nifco Inc.**, Yokohama-Shi, Kanagawa (JP)

*Primary Examiner*—Holly H Baynham

*Assistant Examiner*—Sheryl Lane

(74) *Attorney, Agent, or Firm*—Manabu Kanesaka

(\*\*) Term: **14 Years**

(57) **CLAIM**

(21) Appl. No.: **29/311,758**

The ornamental design for a cord lock device for pole holder, as shown and described.

(22) Filed: **Jun. 11, 2009**

(30) **Foreign Application Priority Data**

**DESCRIPTION**

Dec. 16, 2008 (JP) ..... 2008-031931

(51) **LOC (9) Cl.** ..... **08-08**

(52) **U.S. Cl.** ..... **D8/383**

(58) **Field of Classification Search** ..... D8/383,  
D8/356, 395, 396, 394; 24/115 G, 115 R,  
24/115 M, 136 R, 112; D11/215, 212; D2/978  
See application file for complete search history.

FIG. 1 is a perspective view of a cord lock device for pole holder showing my new design;

FIG. 2 is another perspective view thereof;

FIG. 3 is a front view thereof;

FIG. 4 is a rear view thereof;

FIG. 5 is a plan view thereof;

FIG. 6 is a bottom view thereof;

FIG. 7 is a right side view thereof;

FIG. 8 is a left side view thereof;

FIG. 9 is a sectional view thereof taken along line 9—9 in FIG. 3; and,

FIG. 10 is another sectional view thereof taken along line 10—10 in FIG. 7.

The broken line showing of the cord lock device for pole holder is included for the purpose of illustrating portions of the article and forms no part of the claimed design.

(56) **References Cited**

U.S. PATENT DOCUMENTS

D296,417 S	*	6/1988	Misono et al.	.....	D8/380
D439,148 S	*	3/2001	Ishii	.....	D8/383
D465,408 S	*	11/2002	Man et al.	.....	D8/395
D548,578 S	*	8/2007	Wu	.....	D8/383
D551,067 S	*	9/2007	Kawamura	.....	D8/383
D560,477 S	*	1/2008	Yoshie et al.	.....	D8/383
D560,478 S	*	1/2008	Yoshie et al.	.....	D8/383
D560,479 S	*	1/2008	Yoshie et al.	.....	D8/383
D569,718 S	*	5/2008	Nakamura et al.	.....	D8/394
D571,194 S	*	6/2008	Mei	.....	D8/383

**1 Claim, 5 Drawing Sheets**

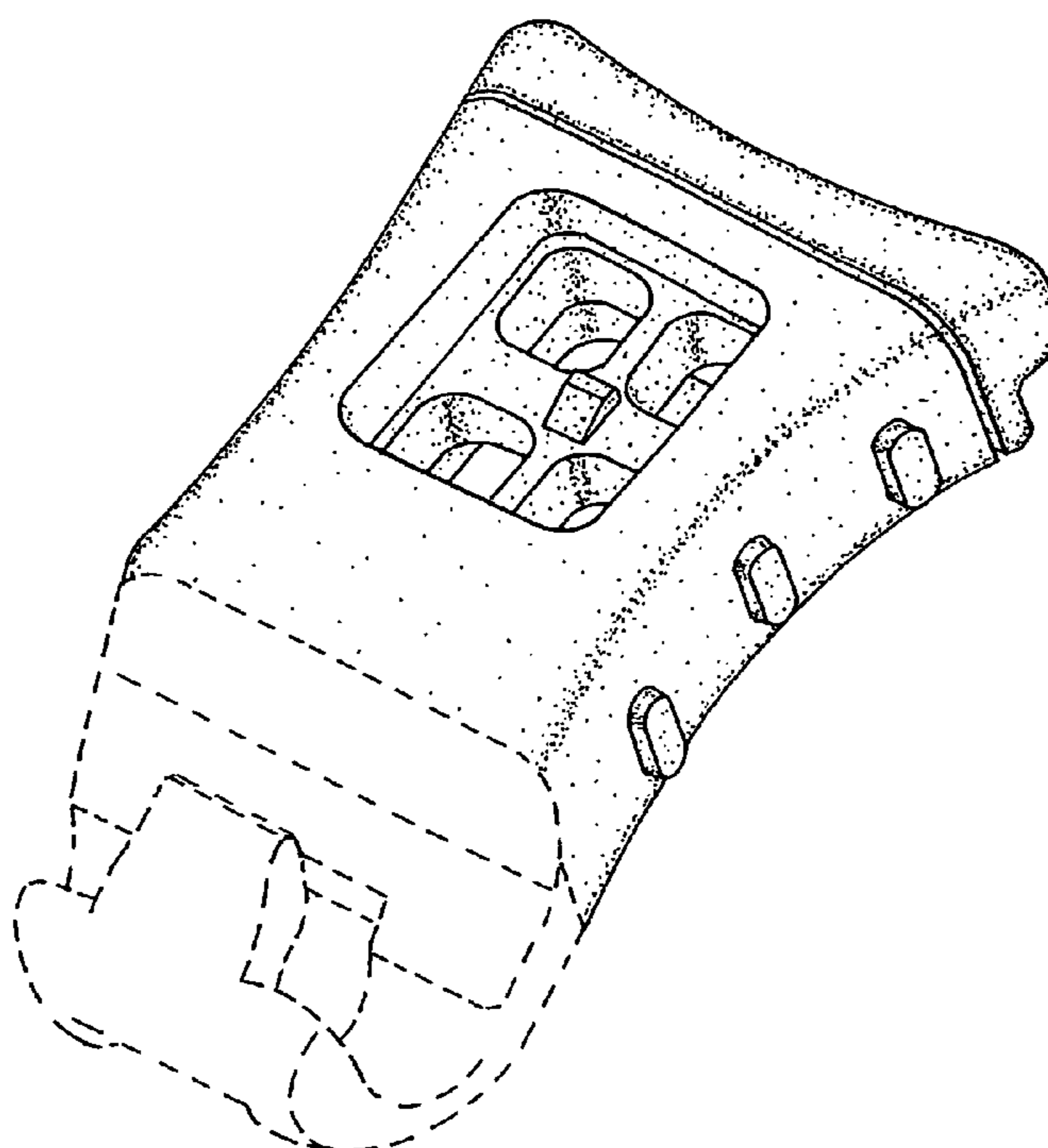


Fig. 1

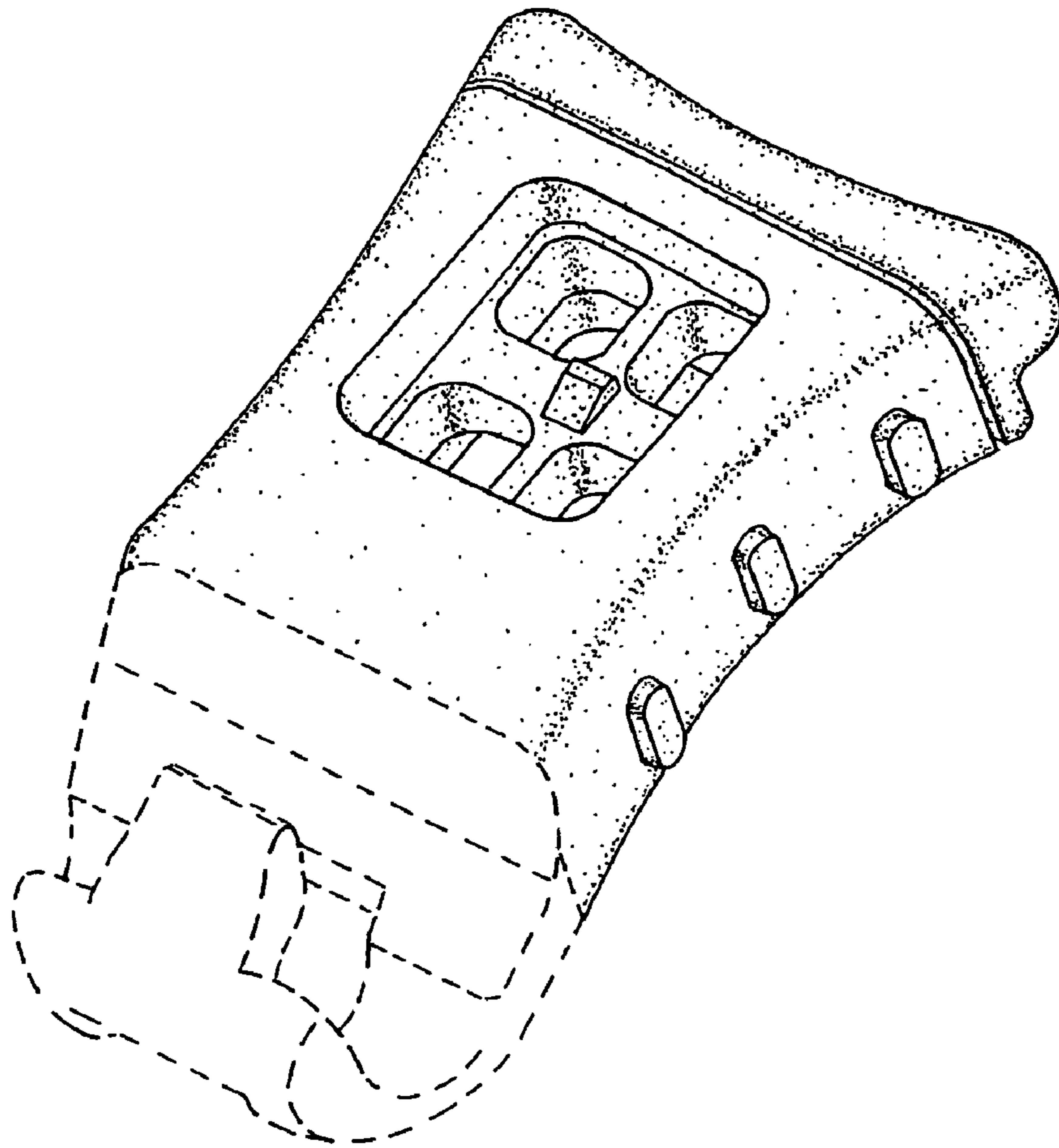


Fig. 2

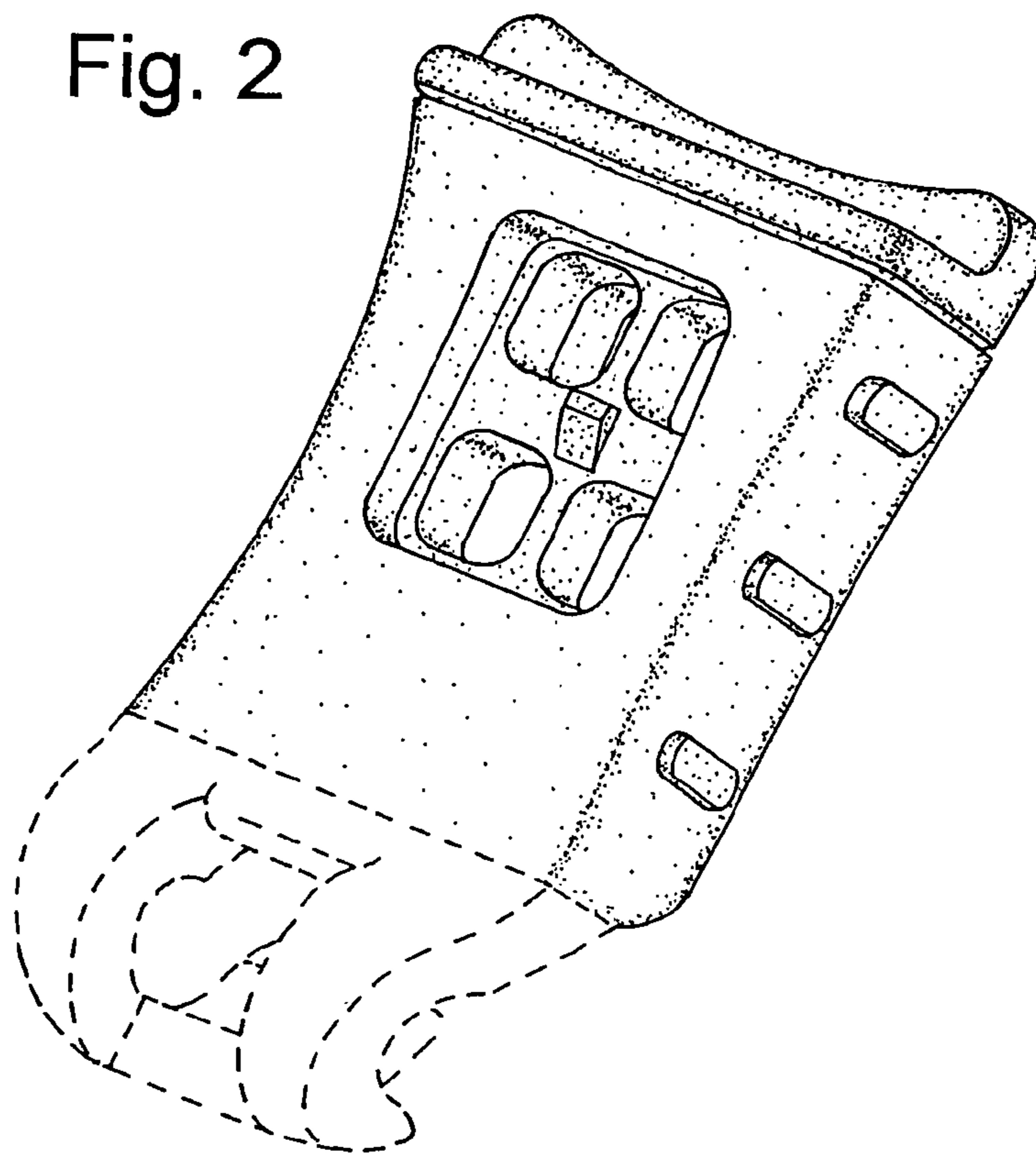


Fig. 3

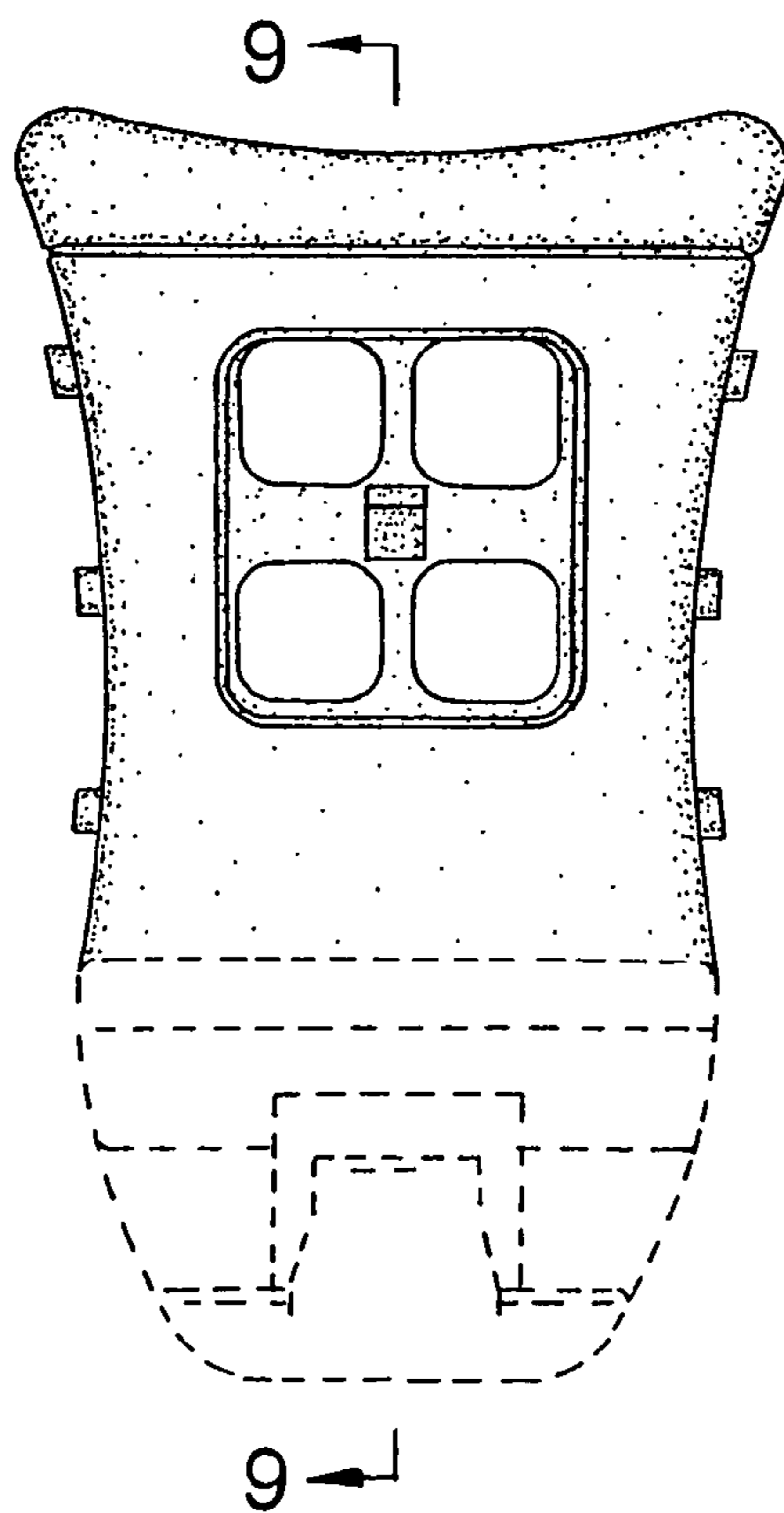


Fig. 4

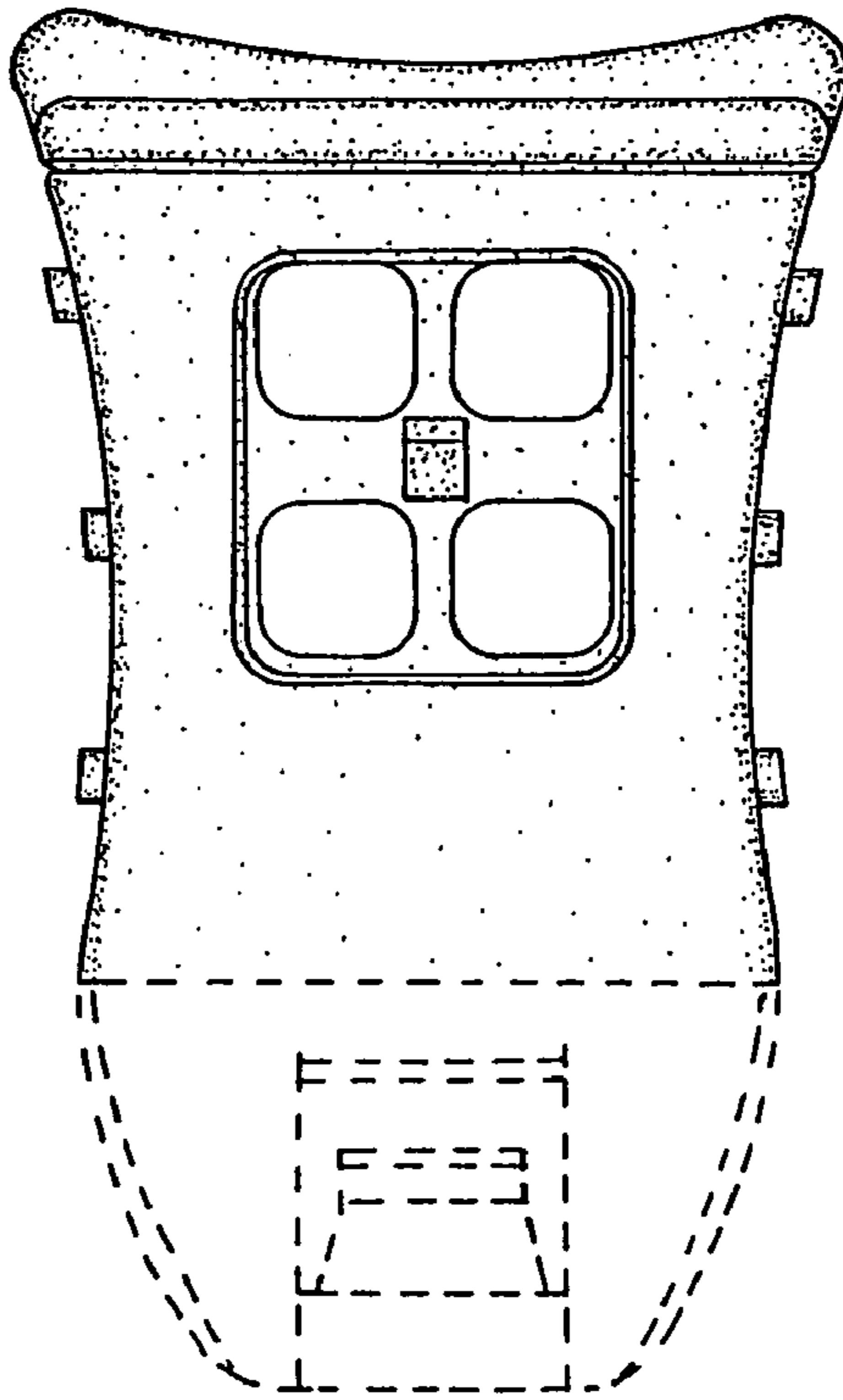


Fig. 5

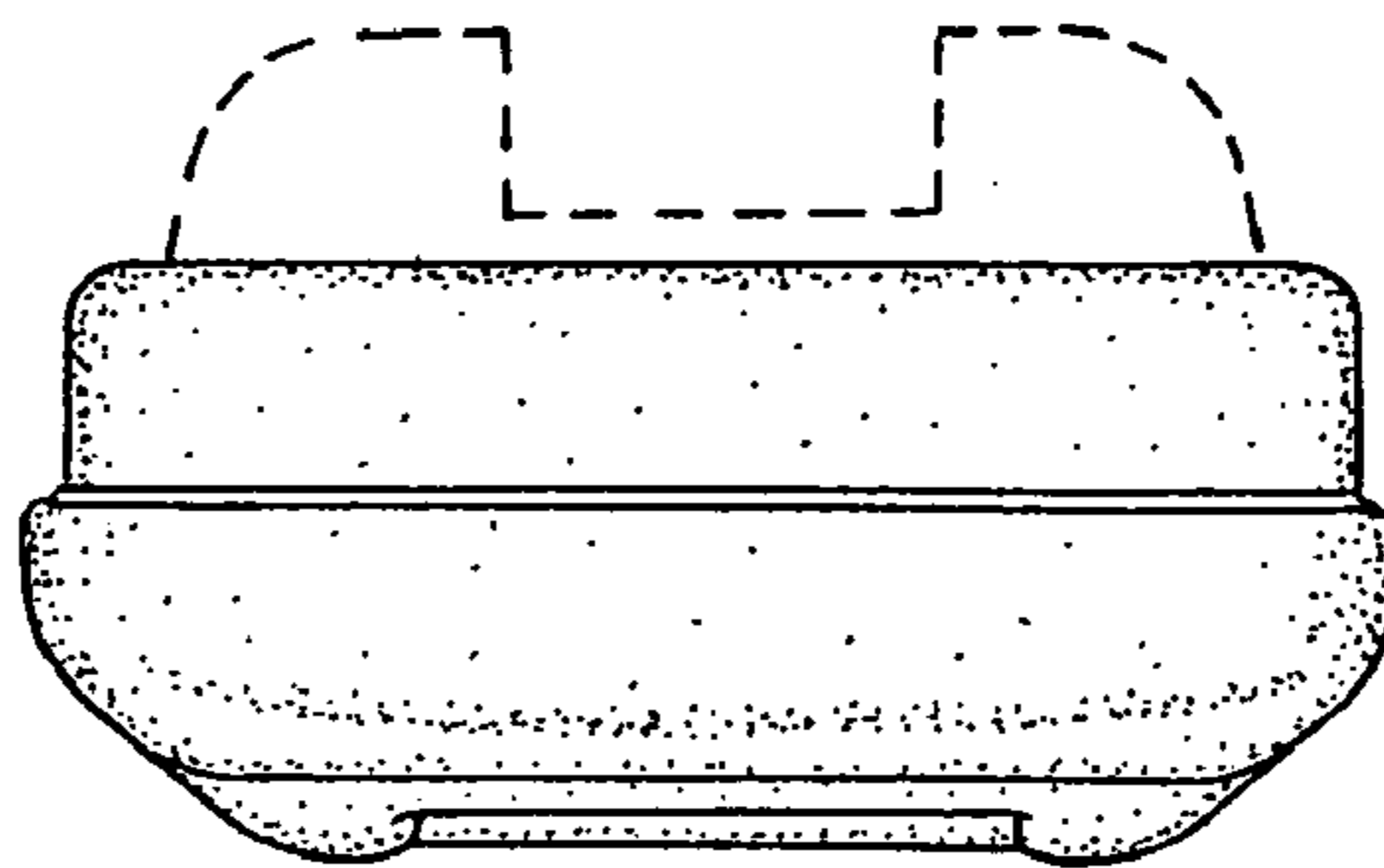
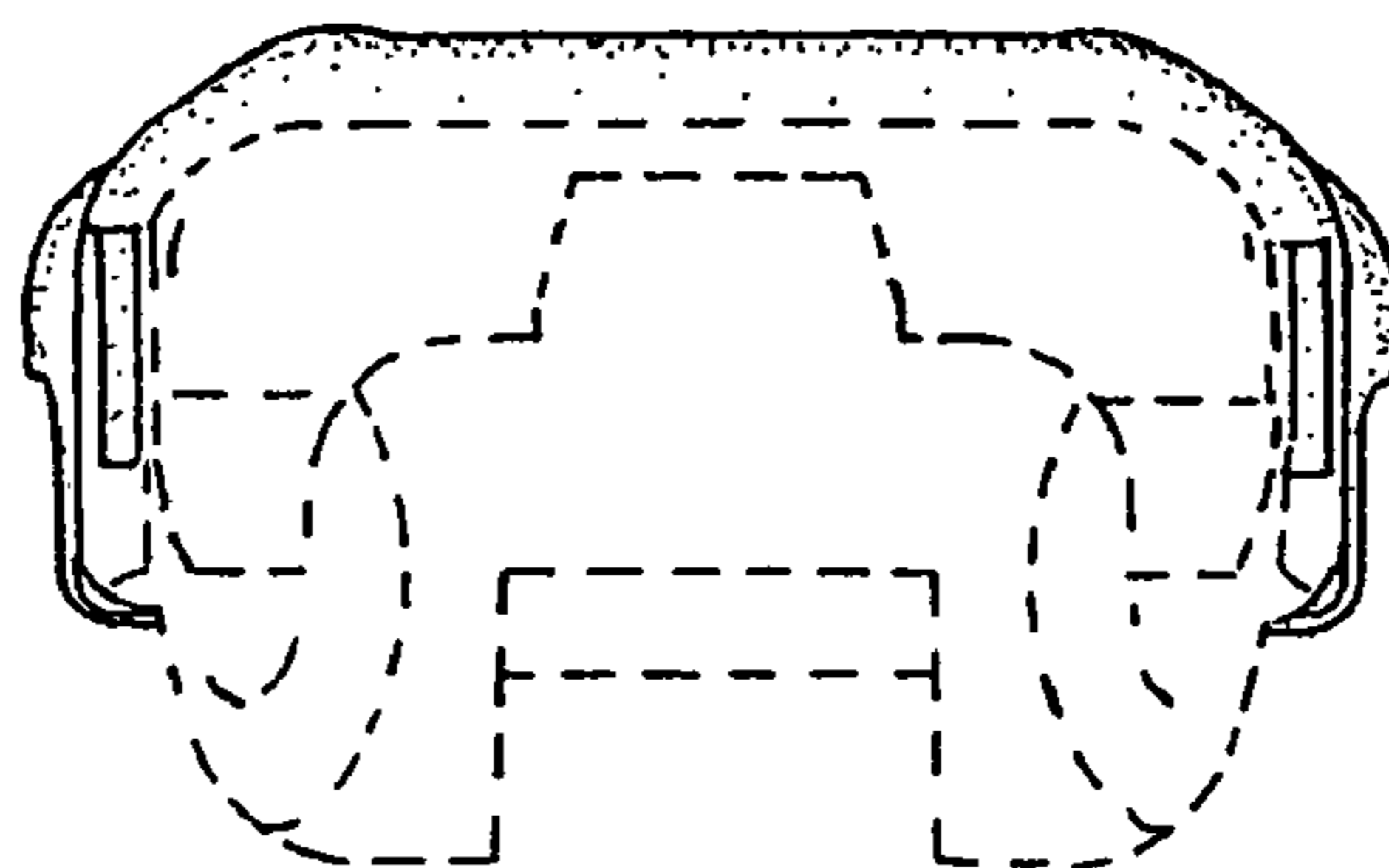


Fig. 6



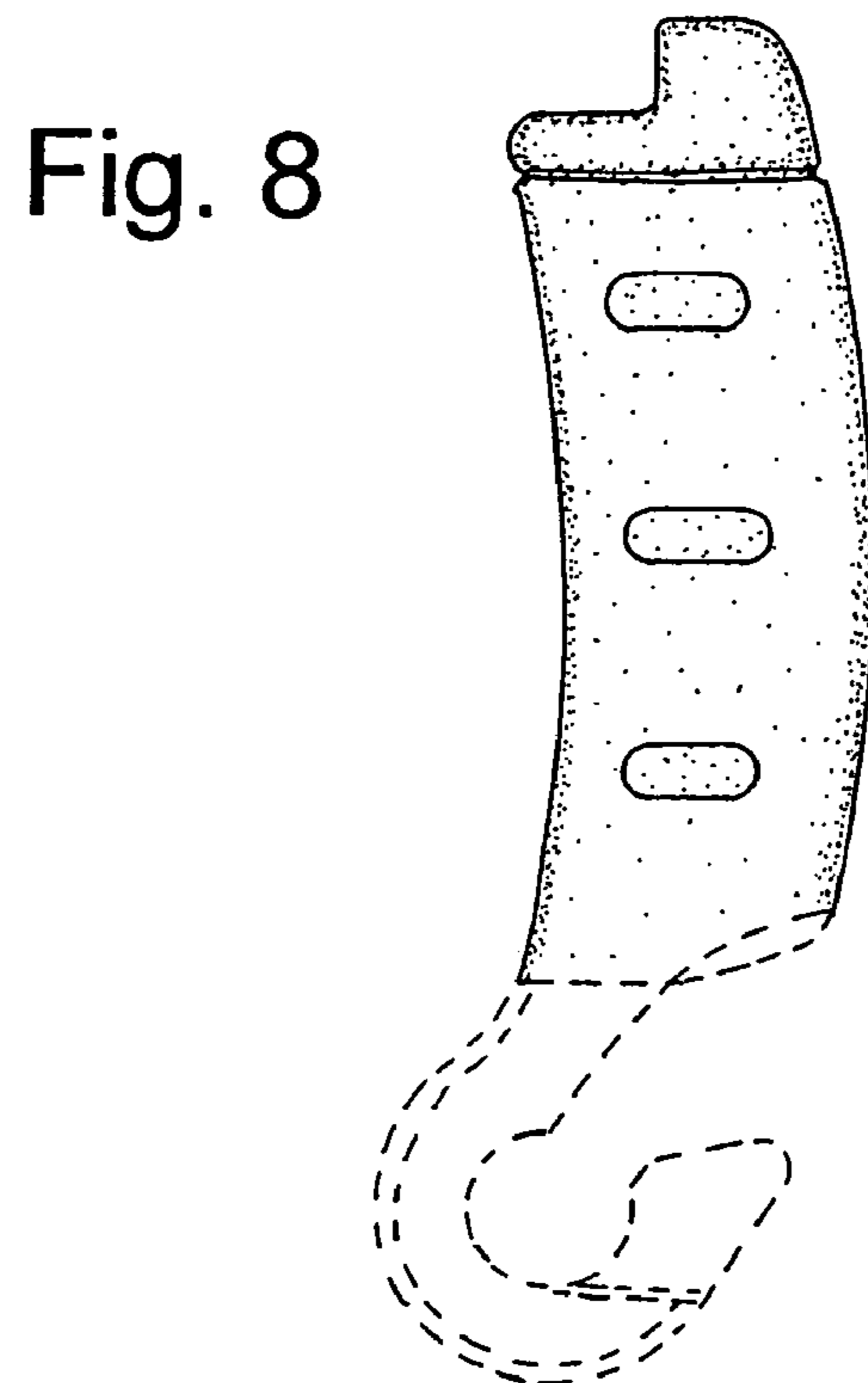
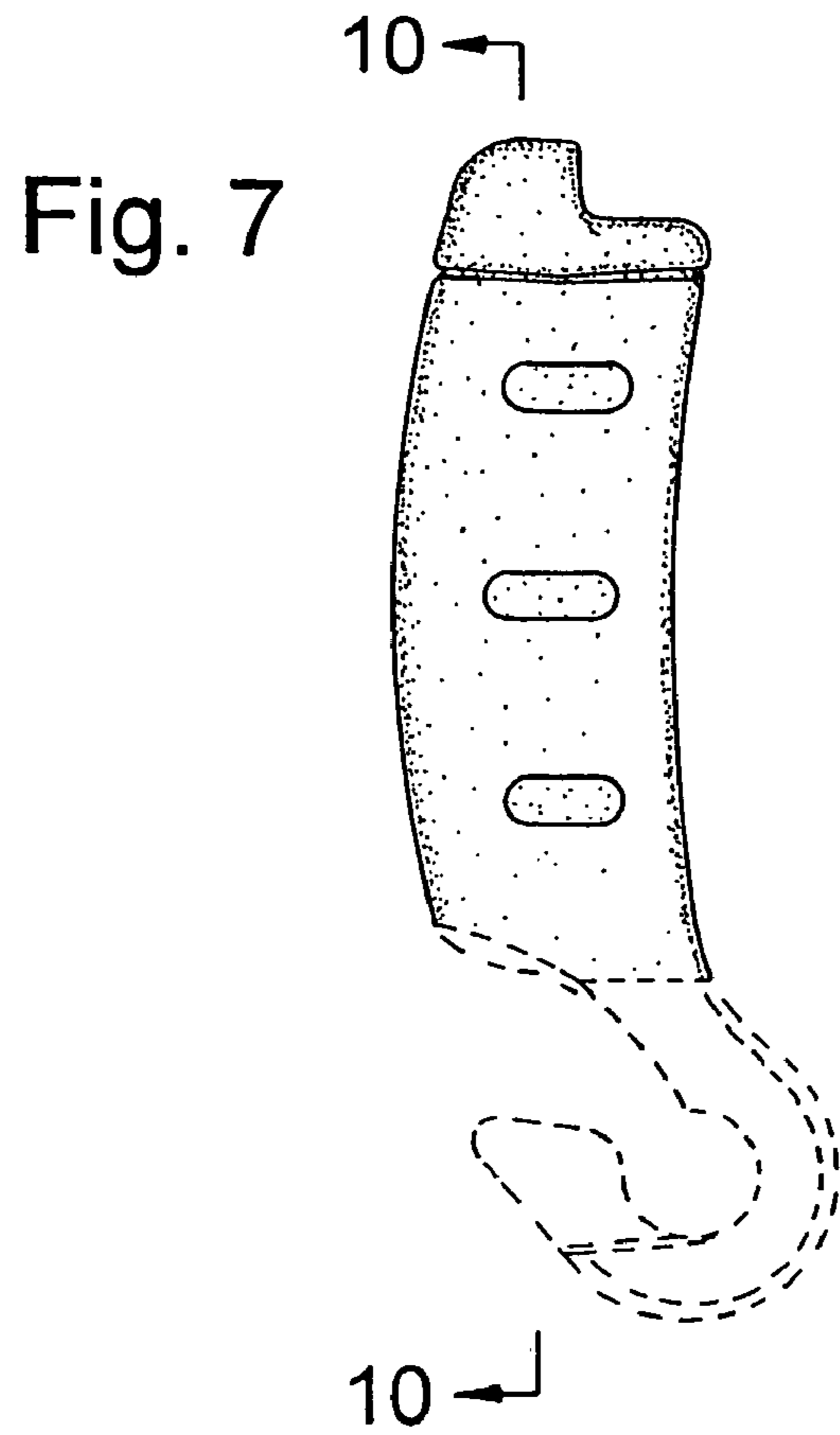


Fig. 9

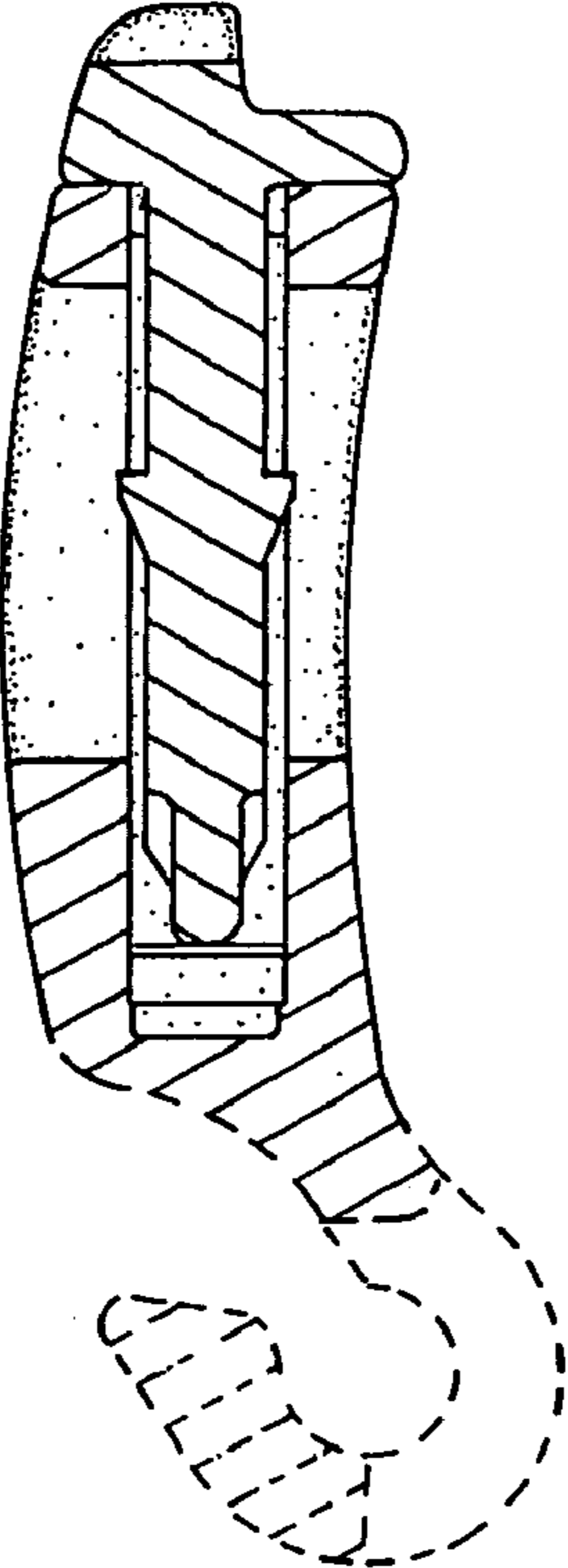


Fig. 10

