

US00D619449S

(12) **United States Design Patent**
Smith et al.

(10) **Patent No.:** **US D619,449 S**
(45) **Date of Patent:** **** Jul. 13, 2010**

(54) **ADAPTOR SEAL**

5,640,937 A 6/1997 Slopsema
5,649,986 A 7/1997 Mueller

(75) Inventors: **Ian Malcolm Smith**, Westleigh (AU);
Dan Kao, Northbridge (AU); **Perry**
David Lithgow, Moruya (AU)

(Continued)

(73) Assignee: **ResMed Limited**, Bella Vista (AU)

FOREIGN PATENT DOCUMENTS

(**) Term: **14 Years**

EP 0 39 234 A1 11/1989

(21) Appl. No.: **29/347,038**

(22) Filed: **Sep. 1, 2009**

(Continued)

Related U.S. Application Data

OTHER PUBLICATIONS

(63) Continuation of application No. 29/309,420, filed on Aug. 14, 2008, now Pat. No. Des. 600,787, which is a continuation of application No. 29/257,448, filed on Apr. 5, 2006, now Pat. No. Des. 577,109.

Smith et al. U.S. Appl. No. 29/257,448, filed Apr. 5, 2006.

(Continued)

(51) **LOC (9) Cl.** **08-05**

(52) **U.S. Cl.** **D8/382**

(58) **Field of Classification Search** D8/382;
D23/358, 365; D24/110; 55/502; 128/207.14,
128/206.24, 200.13

See application file for complete search history.

Primary Examiner—Holly H Baynham

(74) *Attorney, Agent, or Firm*—Nixon & Vanderhye P.C.

(57) **CLAIM**

The ornamental design for an adaptor seal, as shown and described.

(56) **References Cited**

DESCRIPTION

U.S. PATENT DOCUMENTS

2,999,562 A	9/1961	Lechtenberg
D191,806 S	11/1961	Lechtenberg
3,388,705 A	6/1968	Grosshandler
3,796,027 A	3/1974	Gumtow
3,959,891 A	6/1976	Burkall
3,982,532 A	9/1976	Halldin et al.
4,537,214 A	8/1985	Cowan
4,552,574 A	11/1985	Hotta
5,174,460 A	12/1992	Minnette
5,174,534 A	12/1992	Mitchell
D345,010 S	3/1994	Aronsson et al.
5,292,432 A	3/1994	Jainek et al.
5,349,946 A	9/1994	McComb
D356,863 S	3/1995	Skaarstad
5,617,849 A	4/1997	Springett et al.

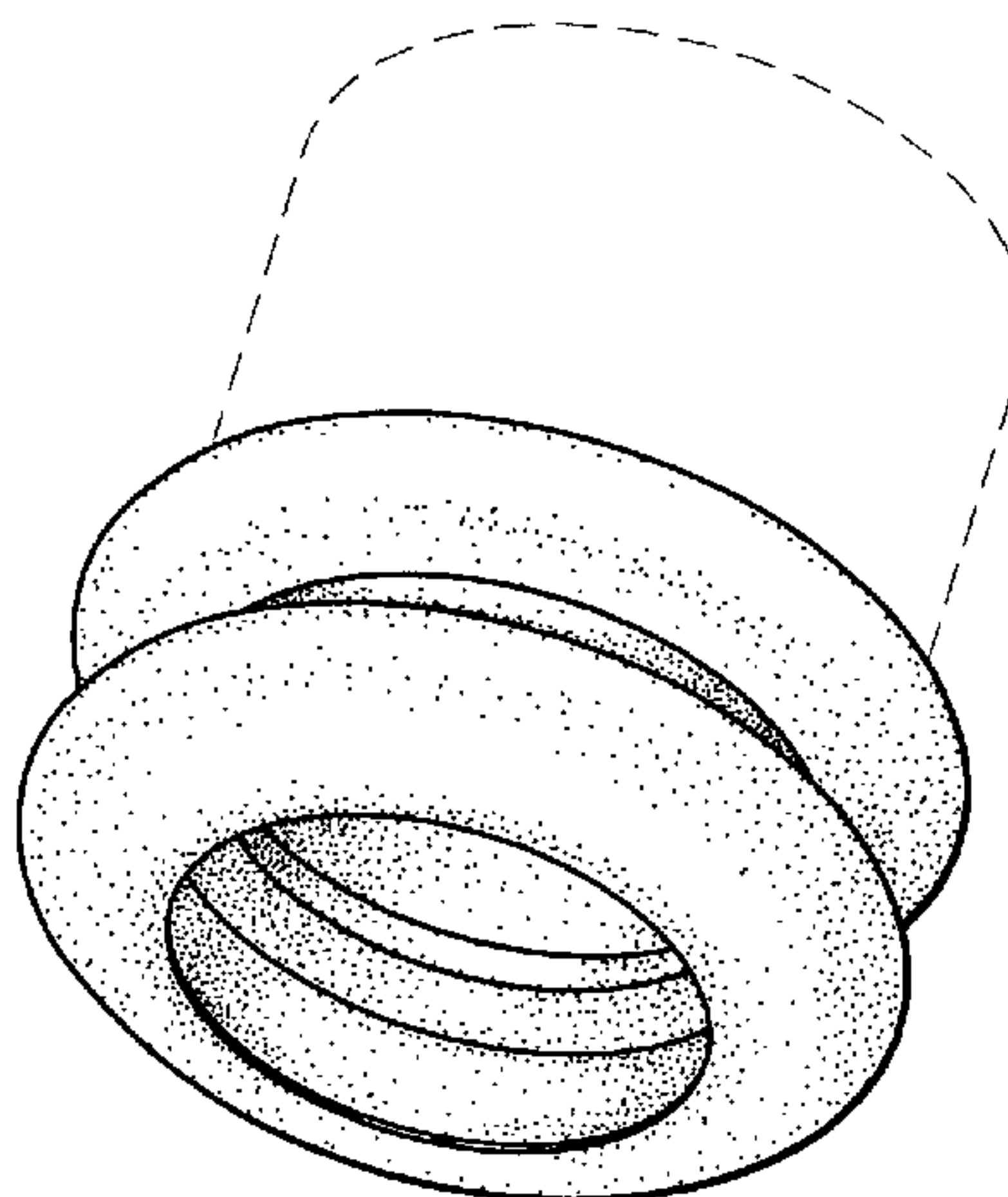
FIG. 1 is a front perspective view of an adaptor seal for a humidifier/respiratory apparatus according to our design; and,

FIG. 2 is a left side view thereof, with the right side view thereof being a mirror image thereof.

The top and bottom views are not shown because they are similar to FIG. 2, the only difference is that the top and bottom views would be rotated 90° clockwise and 90° counterclockwise, respectively, compared to FIG. 2.

The broken lines showing environment or structure of the adaptor seal are for illustrative purposes only and form no part of the claimed design.

1 Claim, 1 Drawing Sheet



US D619,449 S

Page 2

U.S. PATENT DOCUMENTS

5,673,687 A 10/1997 Dobson et al.
5,715,815 A 2/1998 Lorenzen et al.
5,766,451 A 6/1998 Sparling
D403,417 S 12/1998 Rakocy
D416,319 S 11/1999 Rollins
D421,298 S 2/2000 Kenyon
D427,675 S 7/2000 Hansel
D467,335 S 12/2002 Lithgow
D468,011 S 12/2002 Lithgow et al.
D474,266 S 5/2003 Rotter et al.
D476,077 S 6/2003 Lithgow
D487,311 S 3/2004 Lithgow et al.
6,752,846 B2 6/2004 Rotter et al.
D493,520 S 7/2004 Bertinetti et al.
D493,884 S 8/2004 Virr et al.
6,811,546 B1 11/2004 Callas et al.
D503,796 S 4/2005 Lithgow et al.
7,025,799 B2 4/2006 Peterson
7,036,509 B2 5/2006 Rapacki et al.
D550,349 S 9/2007 Lithgow et al.

D553,228 S 10/2007 Virr et al.
D577,109 S 9/2008 Smith et al.
D600,787 S 9/2009 Smith et al.
2004/0065335 A1 4/2004 Huber et al.
2005/0183406 A1 8/2005 Coburn

FOREIGN PATENT DOCUMENTS

GB 2 116 434 9/1983
WO WO 2004/112873 A1 12/2004
WO WO 2007/019627 2/2007

OTHER PUBLICATIONS

Lithgow et al., U.S. Appl. No. 29/290,517, filed Dec. 12, 2007.
Jeha et al., U.S. Appl. No. 10/533,940, filed May 2005.
Lithgow et al., U.S. Appl. No. 29/274,233, filed Apr. 6, 2007.
Virr et al., U.S. Appl. No. 29/287,119, filed Jun. 29, 2007.
Fisher & Paykel Healthcare, "SleepStyle™ 2000 CPAP Series"
Specification Sheets, 4 pages, Published Prior to Jun. 2005.
Smith et al., U.S. Appl. No. 11/988,720, filed Jan. 14, 2008.
Smith et al., U.S. Appl. No. 29/347,092, filed Sep. 21, 2009.

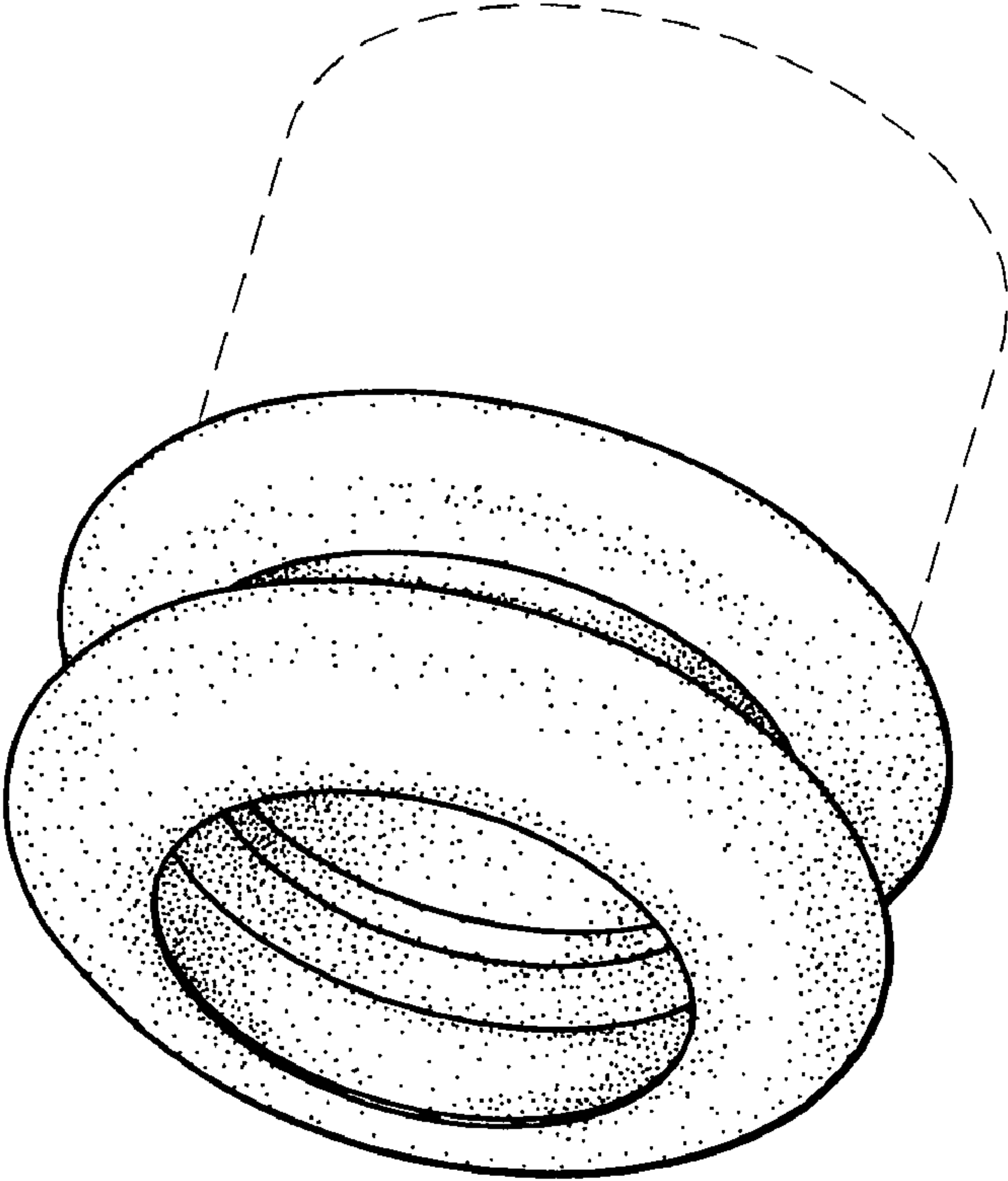


Fig. 1

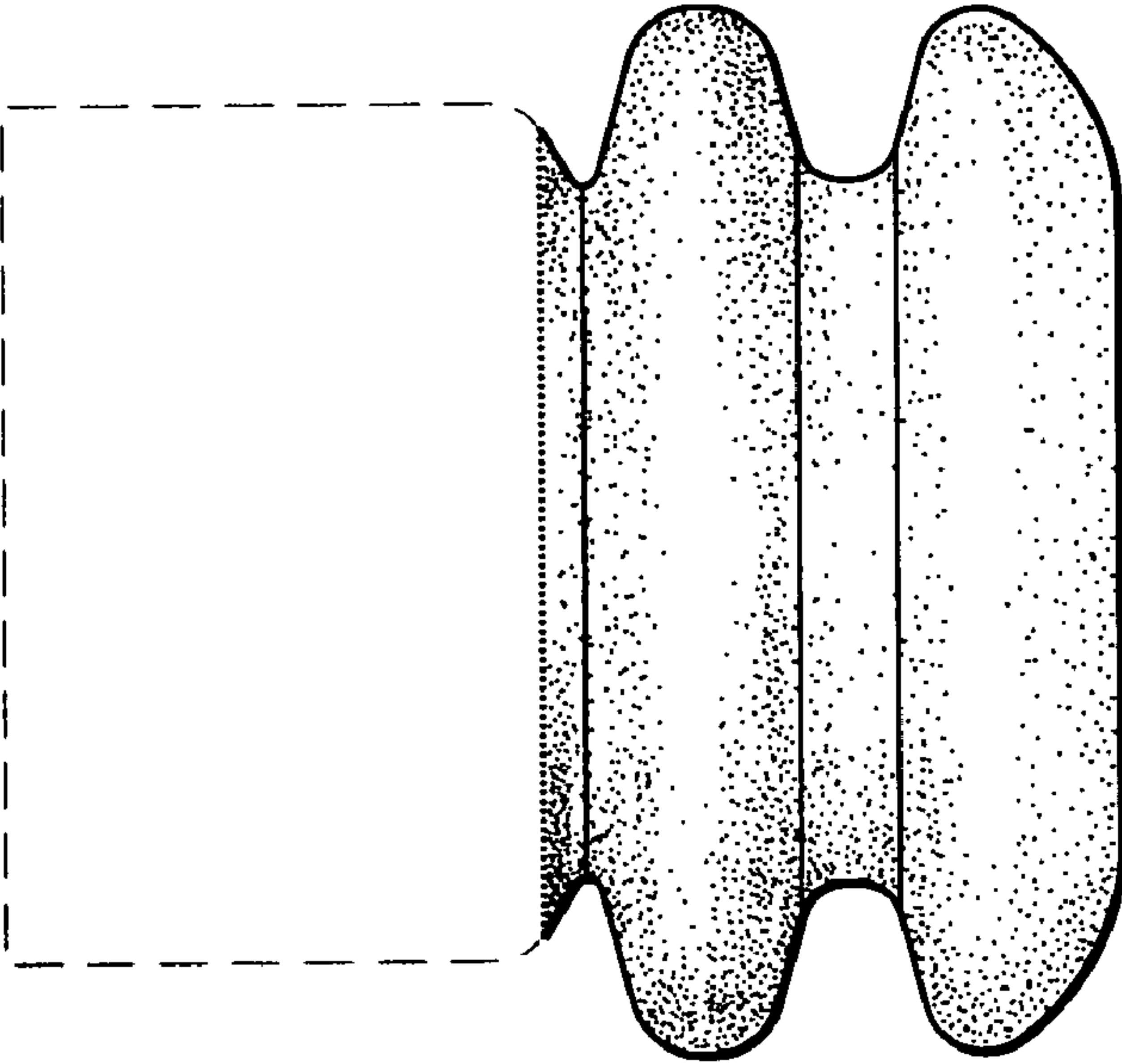


Fig. 2