



US00D619444S

(12) **United States Design Patent**
Oyegoke

(10) **Patent No.:** **US D619,444 S**
(45) **Date of Patent:** **** Jul. 13, 2010**

(54) **GASOLINE PUMP CONTROL**

(76) **Inventor:** **Olugbemiga Oyegoke**, 36 Bacon St.,
Waltham, MA (US) 02451

(**) **Term:** **14 Years**

(21) **Appl. No.:** **29/314,380**

(22) **Filed:** **Mar. 25, 2009**

(51) **LOC (9) Cl.** **08-05**

(52) **U.S. Cl.** **D8/349**

(58) **Field of Classification Search** D8/17-19,
D8/349, 354, 356, 395; D21/484, 532; 248/354.6;
251/90; 141/392; 74/526

See application file for complete search history.

(56) **References Cited**

U.S. PATENT DOCUMENTS

D239,592	S	*	4/1976	Anderson	D8/354
D297,612	S	*	9/1988	Friezner	D8/354
D299,112	S	*	12/1988	Downey	D8/354
D332,046	S	*	12/1992	Isett	D8/349
D357,399	S	*	4/1995	Miller	D8/354
D362,612	S	*	9/1995	Will	D8/354
D370,170	S	*	5/1996	Lambourne	D8/349
5,752,554	A	*	5/1998	Campbell	141/392

D399,715	S	*	10/1998	Budd, Sr.	D8/17
D438,765	S	*	3/2001	Weir	D8/17
6,418,988	B1	*	7/2002	Palumbo et al.	141/392
D495,239	S	*	8/2004	Neal, III	D8/349
D513,965	S	*	1/2006	Bonnell	D8/354
D514,923	S	*	2/2006	Brown	D8/354
D543,835	S	*	6/2007	Geiger	D8/354
D563,770	S	*	3/2008	Payne, Jr.	D8/354
D570,198	S	*	6/2008	Mamula	D8/354
D576,867	S	*	9/2008	Kretz	D8/356

* cited by examiner

Primary Examiner—Philip S Hyder
Assistant Examiner—Cynthia M Chin

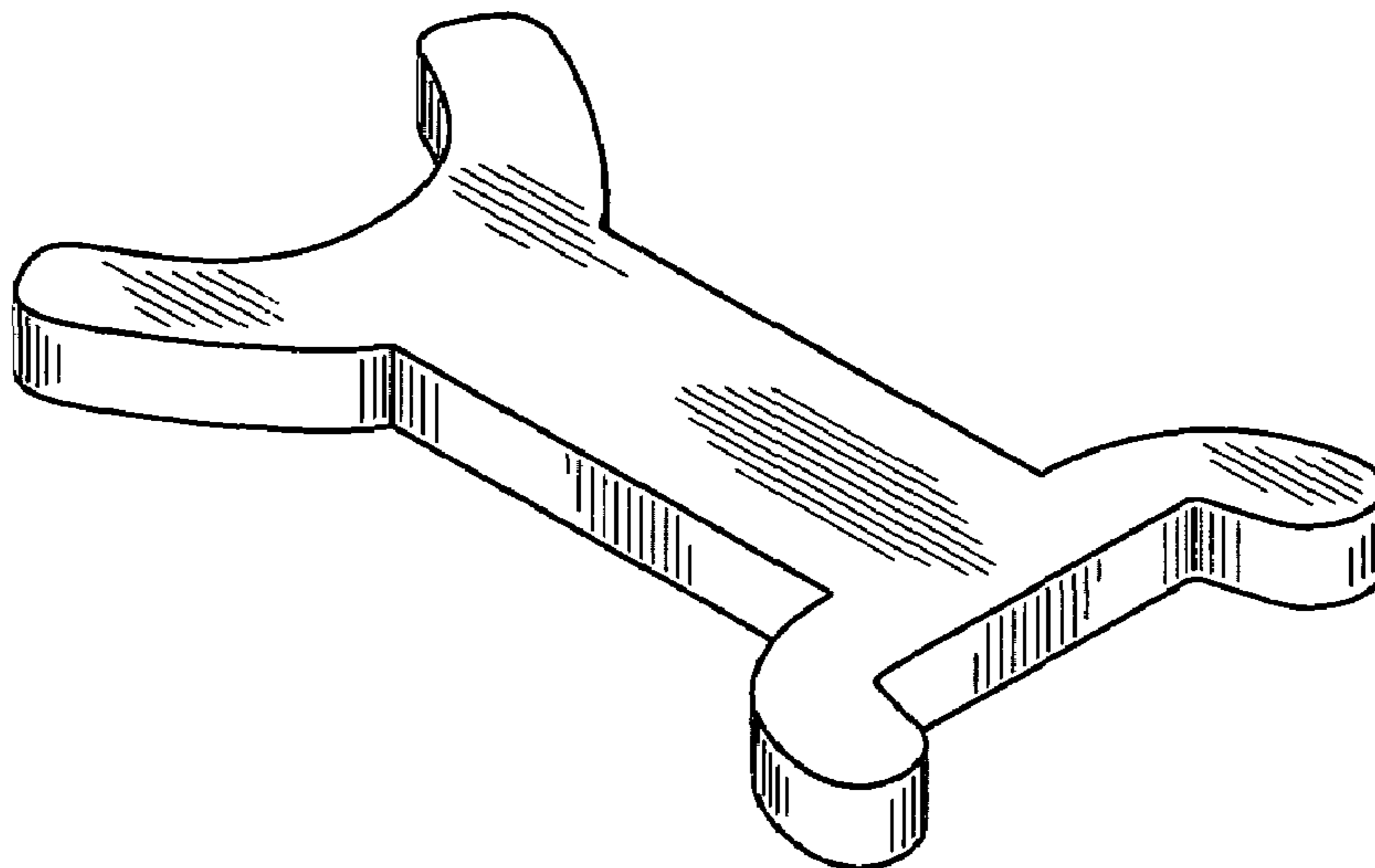
(57) **CLAIM**

I claim the ornamental design for a gasoline pump control, as shown.

DESCRIPTION

FIG. 1 is a perspective view of the gasoline pump control.
FIG. 2 is a side view of the gasoline pump control.
FIG. 3 is a top view of the gasoline pump control; and,
FIG. 4 is a bottom view of the gasoline pump control.

1 Claim, 1 Drawing Sheet



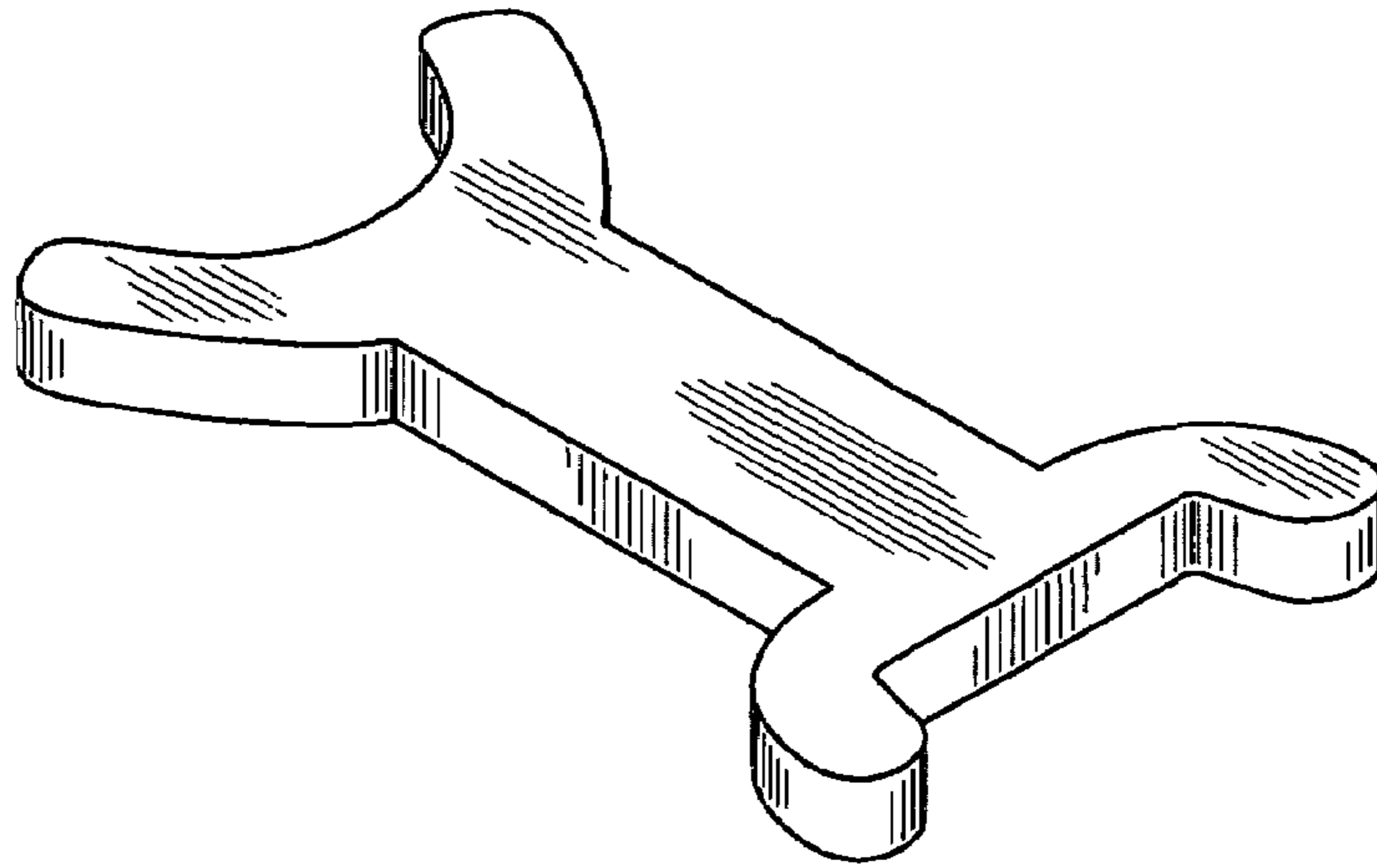


FIG. 1



FIG. 2

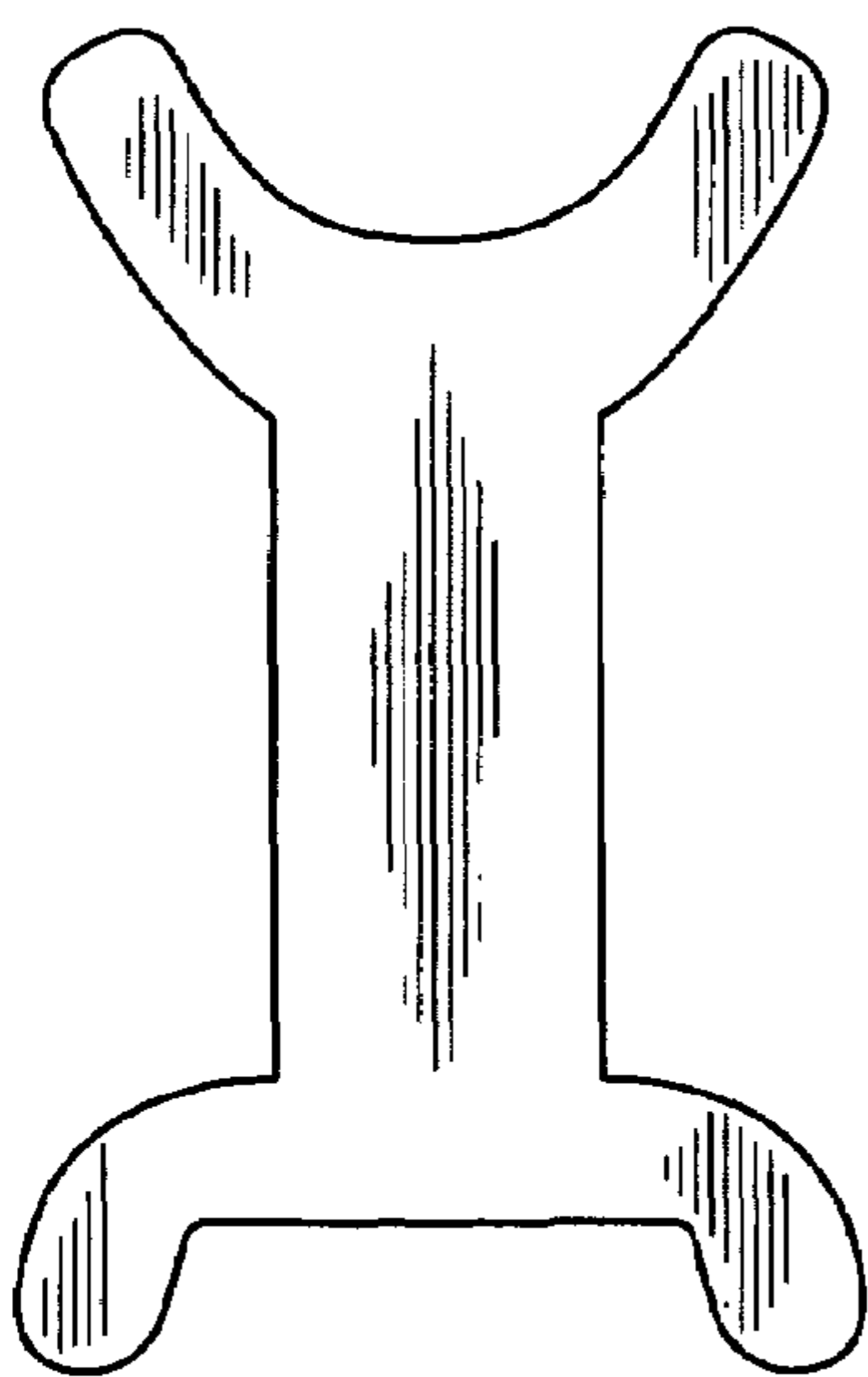


FIG. 3

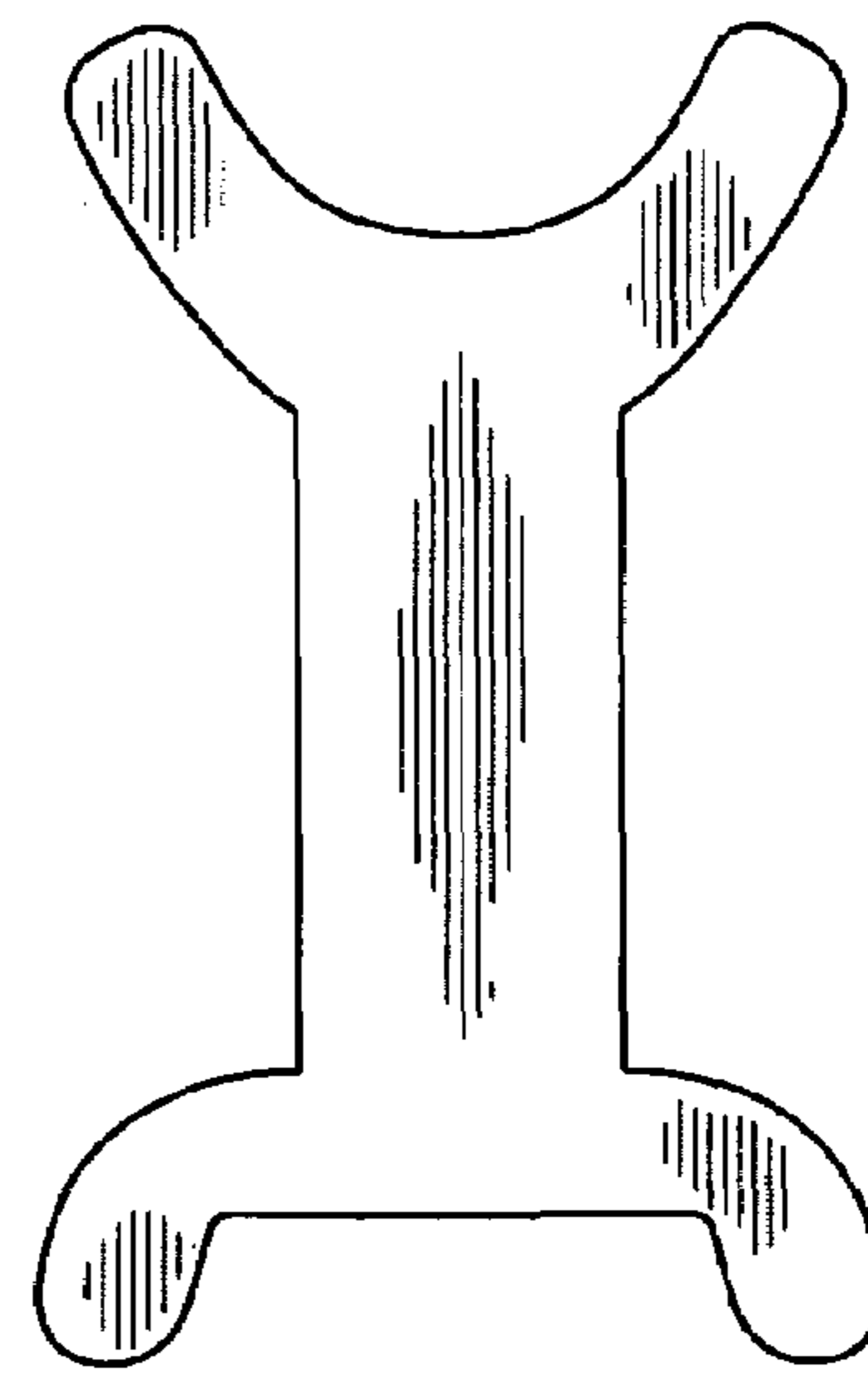


FIG. 4