



US00D619441S

(12) **United States Design Patent**
Yang

(10) **Patent No.:** **US D619,441 S**
(45) **Date of Patent:** **** Jul. 13, 2010**

(54) **CLAMP**

(76) Inventor: **Ching-Chen Yang**, No.17, Lane 98, Sec. 2, Dacing Street., South District, Taichung City 402 (TW)

(**) Term: **14 Years**

(21) Appl. No.: **29/338,559**

(22) Filed: **Jun. 13, 2009**

(51) **LOC (9) Cl.** **08-05**

(52) **U.S. Cl.** **D8/72**

(58) **Field of Classification Search** D8/71-74,
D8/394-399, 354, 355, 356, 59; 248/62,
248/63, 72, 74.1, 689, 124.2; 81/487; 269/3,
269/4, 6, 143, 165, 240, 243, 246-249, 254 R,
269/147-149; 29/256, 257, 276; D15/140;
D24/143

See application file for complete search history.

(56) **References Cited**

U.S. PATENT DOCUMENTS

5,094,131	A *	3/1992	Sorensen et al.	81/487
D366,820	S *	2/1996	Wooster et al.	D8/72
D494,828	S *	8/2004	Phillips	D8/72
6,929,253	B2 *	8/2005	Marks	269/6
D516,892	S *	3/2006	Ping	D8/72
7,017,894	B1 *	3/2006	Lin	269/6
D541,613	S *	5/2007	Wang	D8/74
D541,614	S *	5/2007	Wang	D8/74

D543,821	S *	6/2007	Ranieri	D8/73
D545,162	S *	6/2007	Ranieri	D8/73
D555,454	S *	11/2007	Noniewicz	D8/72
7,396,004	B2 *	7/2008	Kern	269/6
7,513,492	B1 *	4/2009	Kuo	269/6

* cited by examiner

Primary Examiner—T. Chase Nelson
Assistant Examiner—David G Muller
(74) *Attorney, Agent, or Firm*—Banger Shia

(57) **CLAIM**

I claim the ornamental design for a clamp, as shown and described.

DESCRIPTION

FIG. 1 is a perspective view of a clamp, showing my new design;

FIG. 2 is a front elevational view thereof;

FIG. 3 is a rear elevational view thereof;

FIG. 4 is a left side elevational view thereof;

FIG. 5 is a right side elevational view thereof;

FIG. 6 is a top plan view thereof; and,

FIG. 7 is a bottom plan view thereof.

The broken lines depict portions of the clamp that form no part of the claimed design.

1 Claim, 5 Drawing Sheets

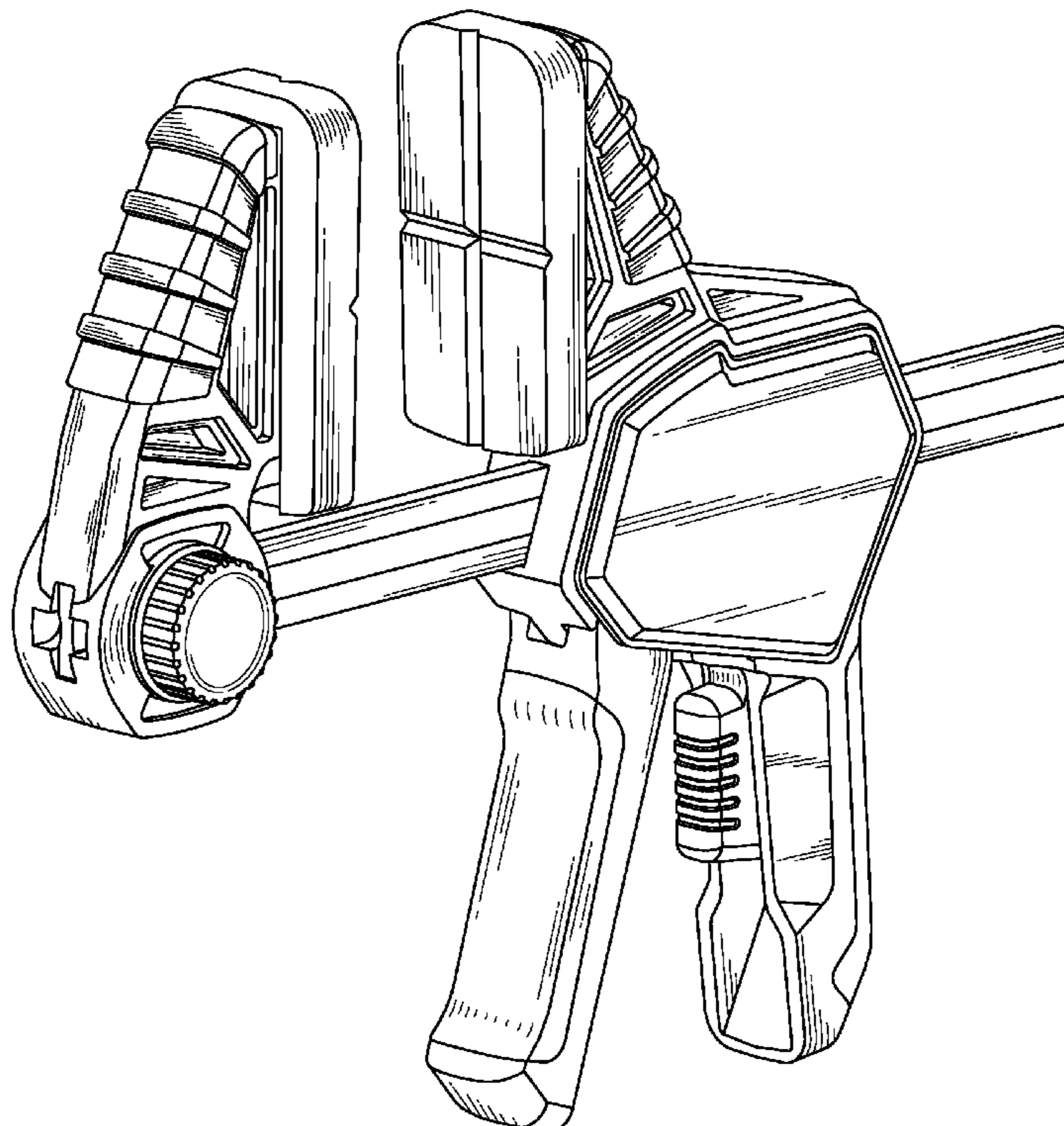


FIG. 1

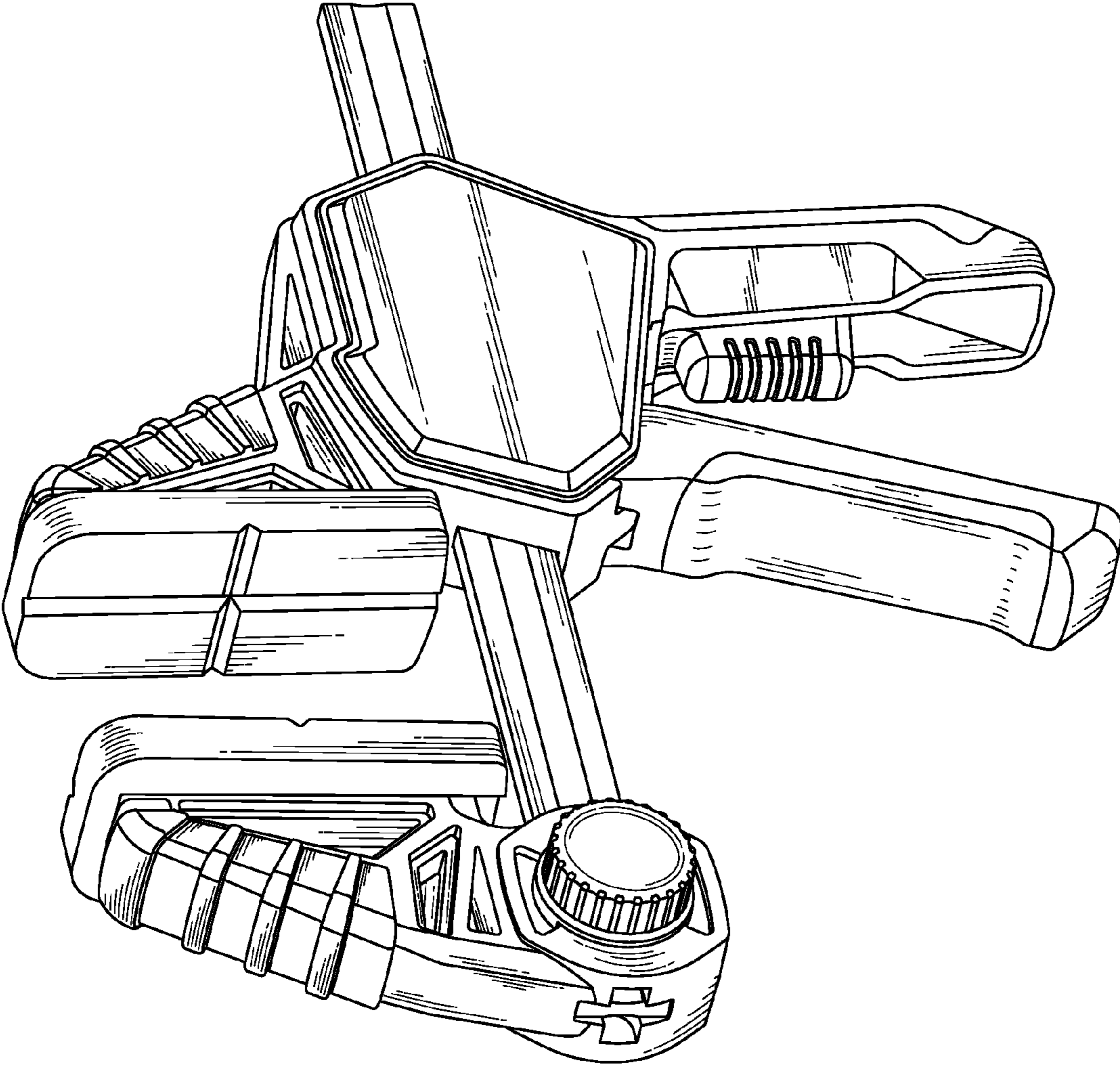


FIG. 2

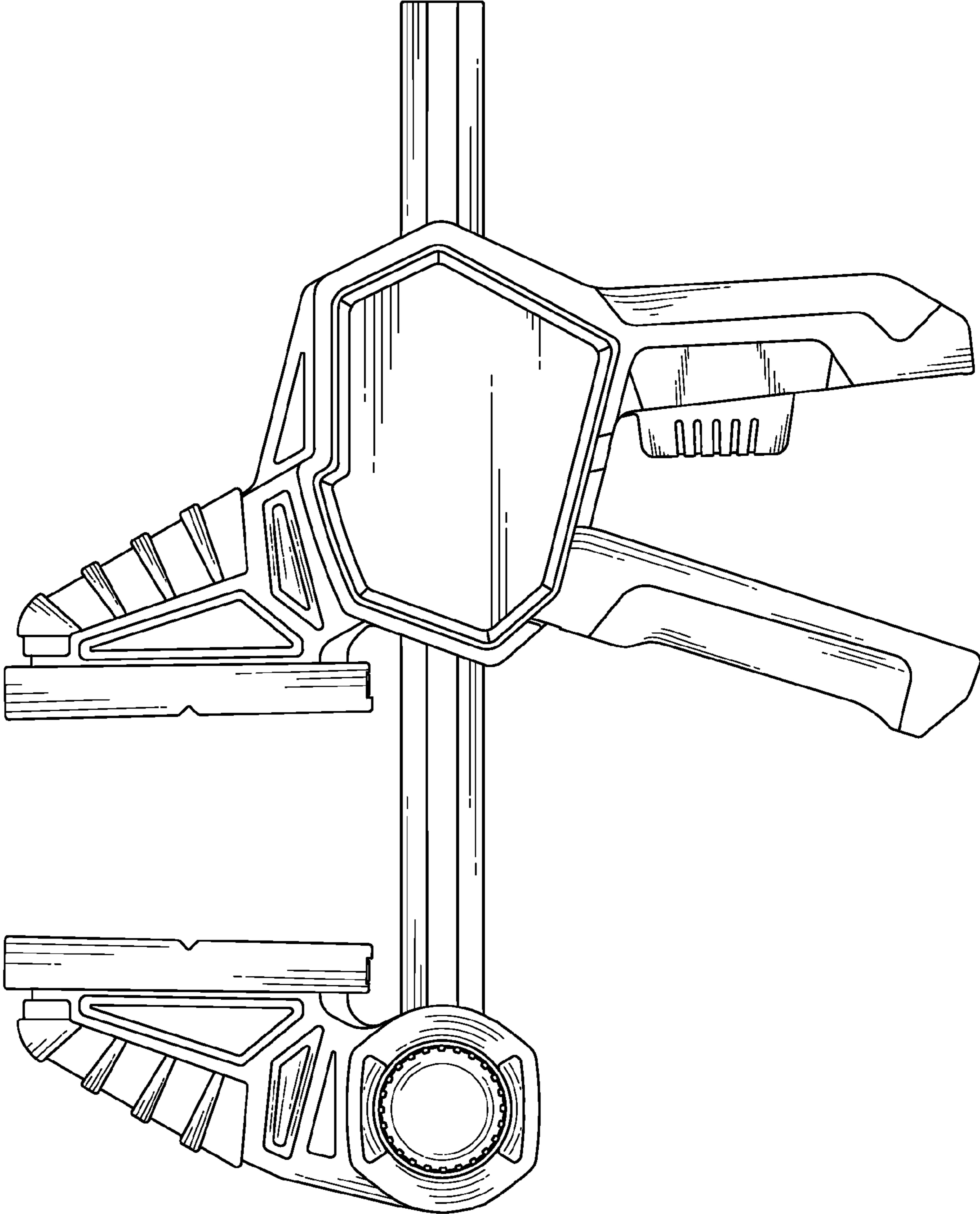
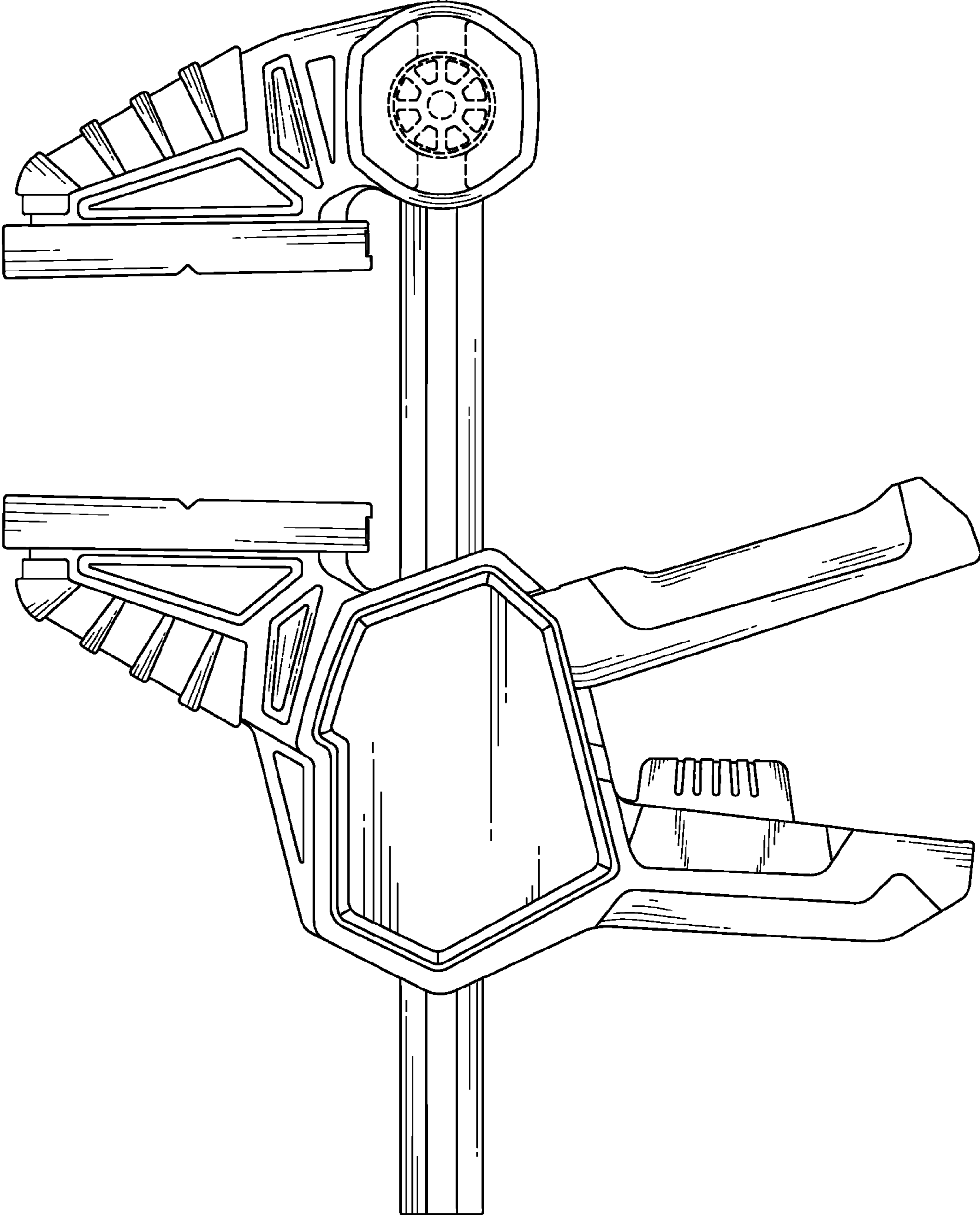


FIG. 3



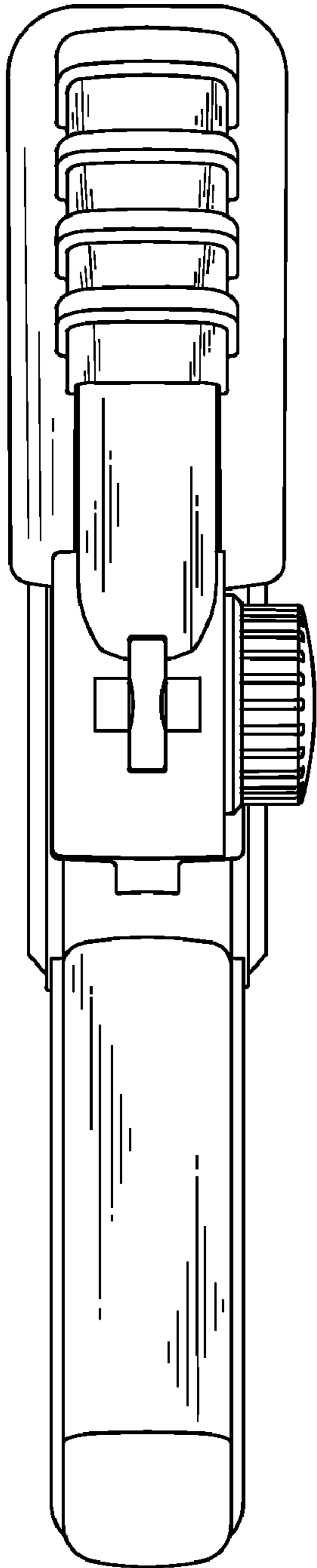


FIG. 4

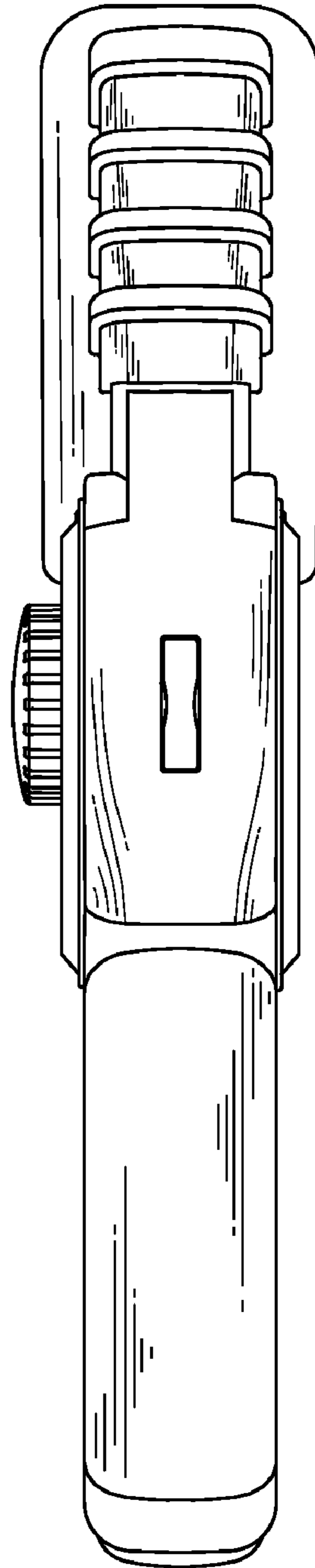


FIG. 5

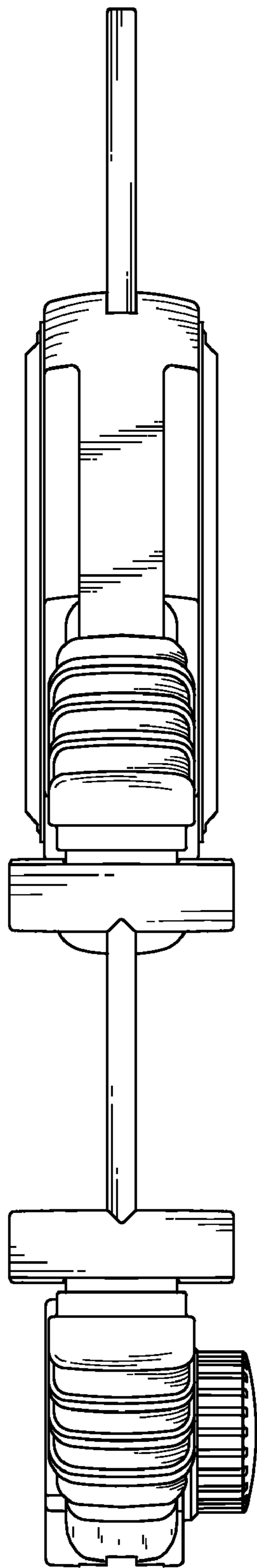


FIG. 6

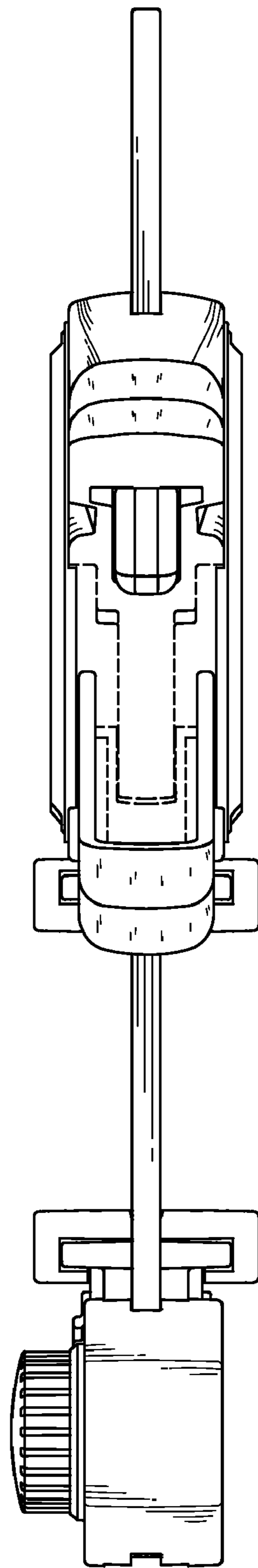


FIG. 7