

US00D619439S

(12) **United States Design Patent**  
**Cryer et al.**

(10) **Patent No.:** **US D619,439 S**  
(45) **Date of Patent:** **\*\* Jul. 13, 2010**

(54) **PLURAL-COMPONENT MECHANICAL PURGE APPLICATOR**

2009/0224074 A1\* 9/2009 Altenburger ..... 239/526  
**OTHER PUBLICATIONS**

(75) Inventors: **Michael A. Cryer**, Massillon, OH (US);  
**John S. Lihwa**, Willowick, OH (US);  
**Charles E. Moser**, Beloit, OH (US);  
**Heath I. McCartney**, Massillon, OH (US)

Graco High Performance Coating and Foam brochure #337488, p. 3. See especially the Fusion CS gun, Fusion AP gun and Probler gun. Gusmer GX-10 Manual #18943-4.0-ID. Graco MD2 Dispense Valve brochure #339117A. Gusmer Decker Mixing Heads brochure #338045B, p. 2. See especially the L-Style Mixing Head.

(73) Assignee: **Graco Minnesota Inc.**, Minneapolis, MN (US)

\* cited by examiner

(\*\*) Term: **14 Years**

*Primary Examiner*—Antoine D Davis  
(74) *Attorney, Agent, or Firm*—Douglas B. Farrow

(21) Appl. No.: **29/352,872**

(57) **CLAIM**

(22) Filed: **Dec. 29, 2009**

The ornamental design for a plural-component mechanical purge applicator, as shown and described.

(51) **LOC (9) Cl.** ..... **08-04**

(52) **U.S. Cl.** ..... **D8/68**

(58) **Field of Classification Search** ..... D8/68-70;  
239/73, 72, 527, 414, 415, 600, 601, DIG. 14,  
239/525-526; 222/148, 399, 400.7, 402.18,  
222/402.24; D23/213, 223, 226, 229, 230  
See application file for complete search history.

**DESCRIPTION**

FIG. 1 is a rear isometric view of the plural-component mechanical purge applicator;

FIG. 2 is a top view thereof;

FIG. 3 is a right side view thereof, the left side is a mirror image of the right side;

FIG. 4 is a rear view thereof;

FIG. 5 is a front view thereof; and,

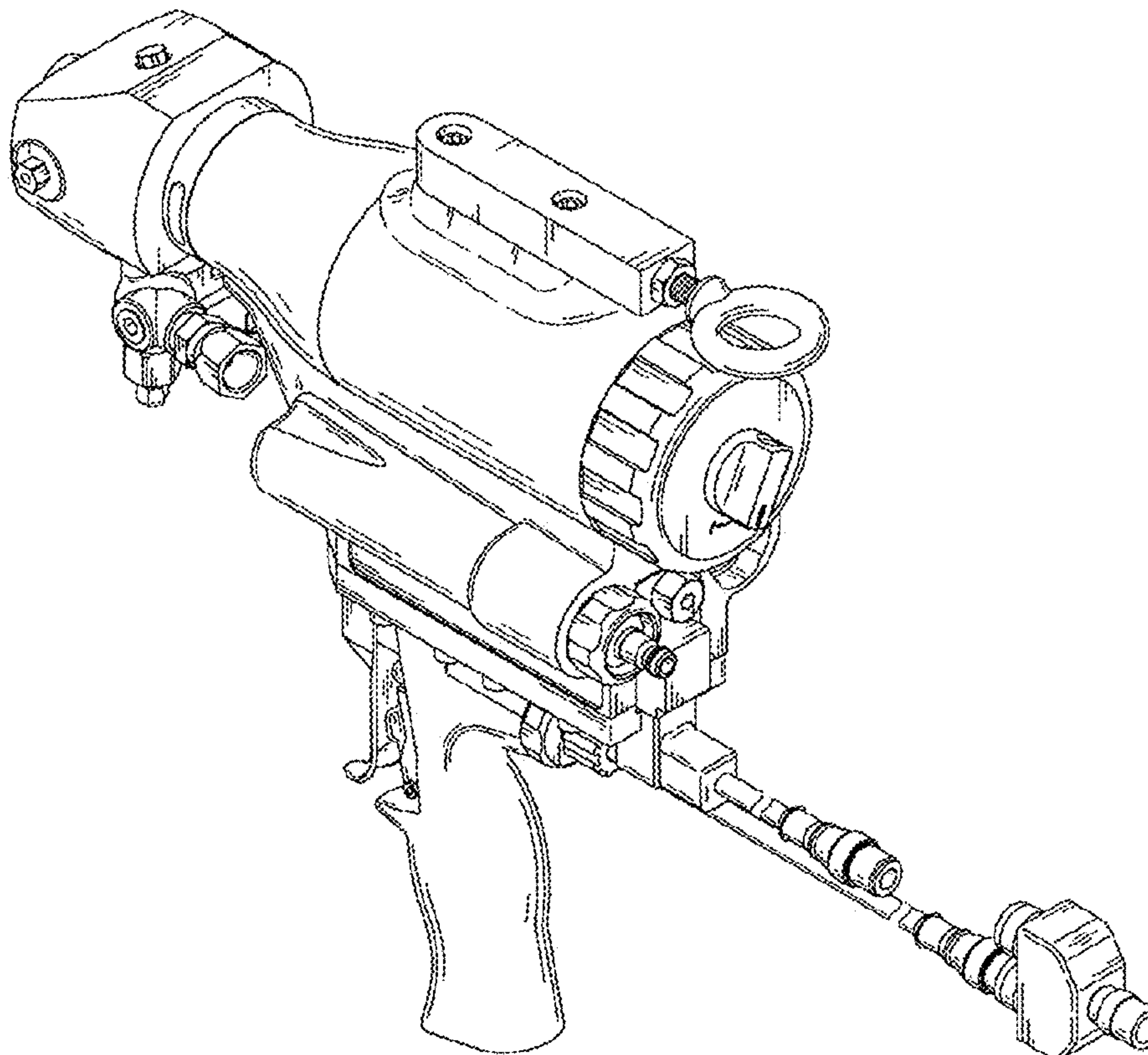
FIG. 6 is a bottom view thereof.

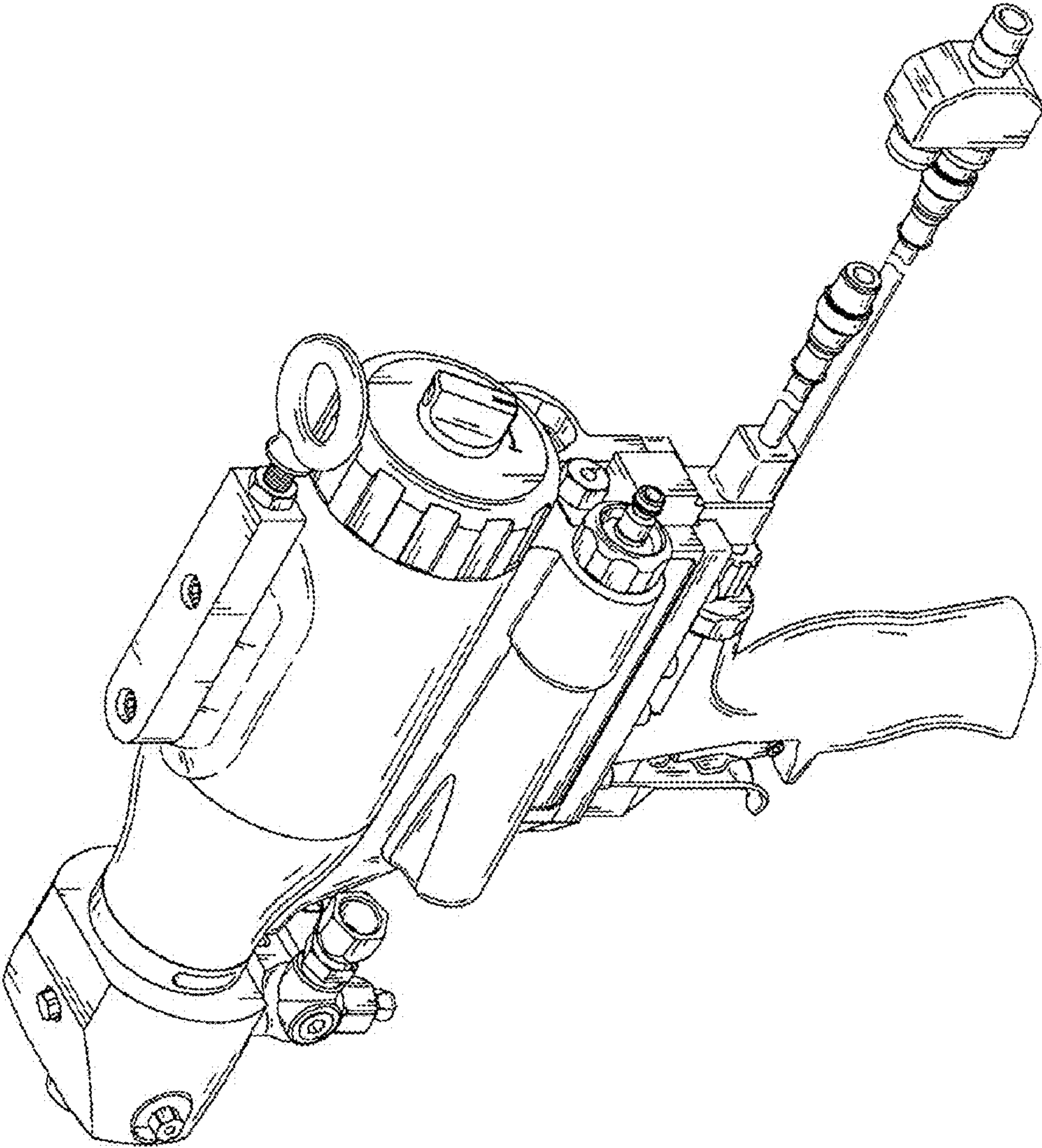
(56) **References Cited**

**U.S. PATENT DOCUMENTS**

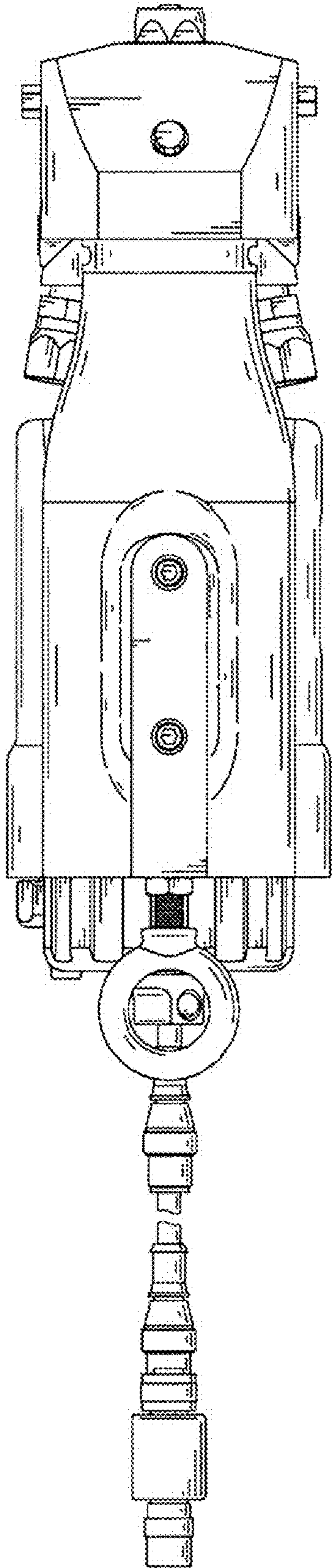
D588,231 S \* 3/2009 Pellin et al. .... D23/223  
7,559,440 B2 \* 7/2009 Rueschhoff et al. .... 222/145.5

**1 Claim, 6 Drawing Sheets**



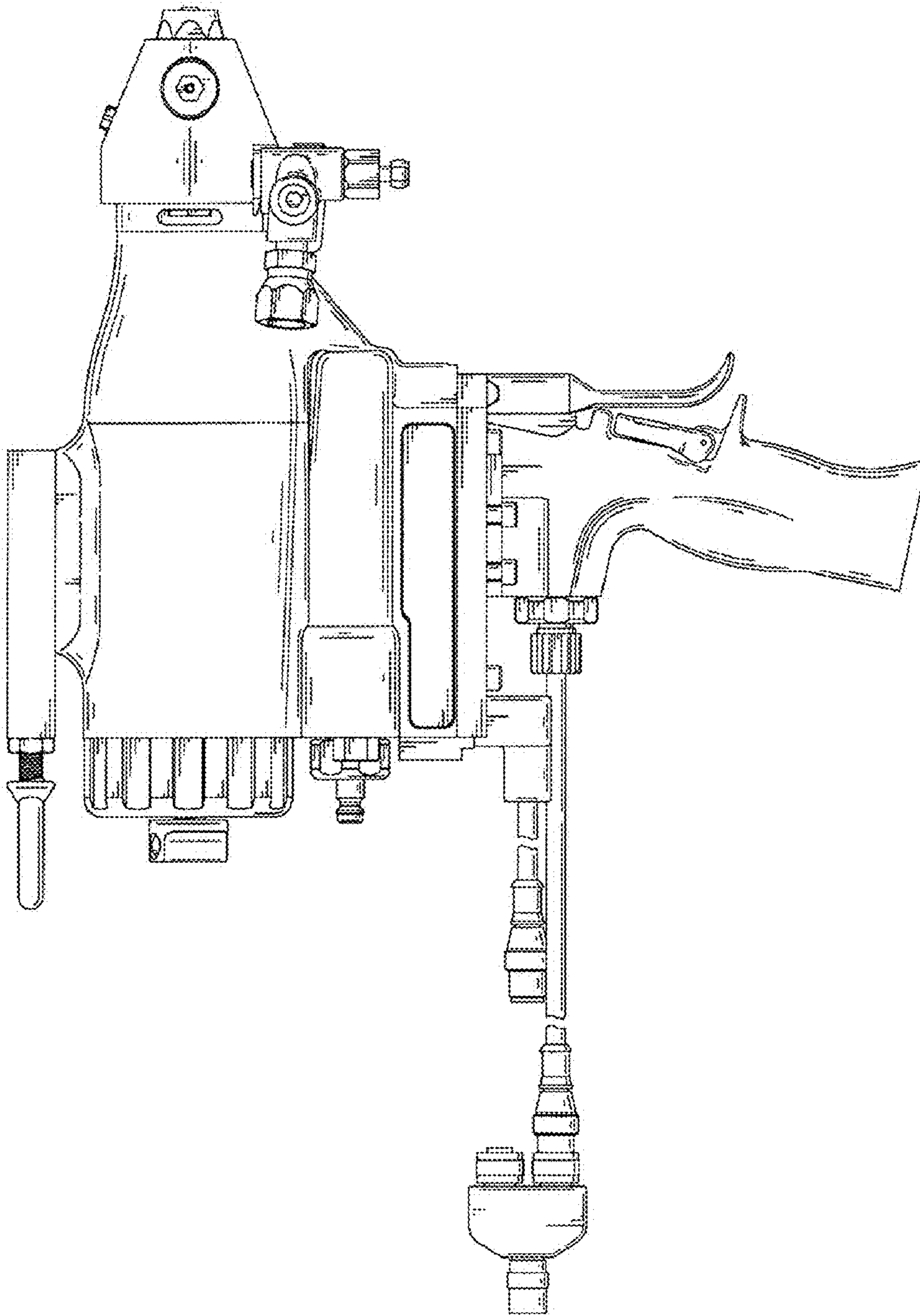


**FIG. 1**

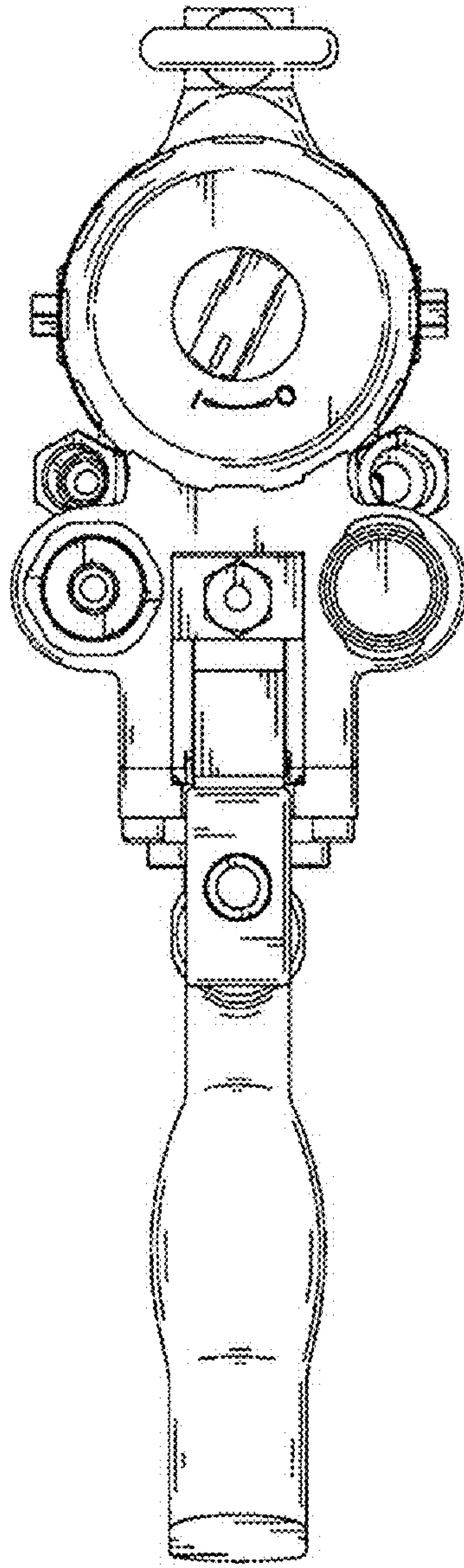


**FIG. 2**

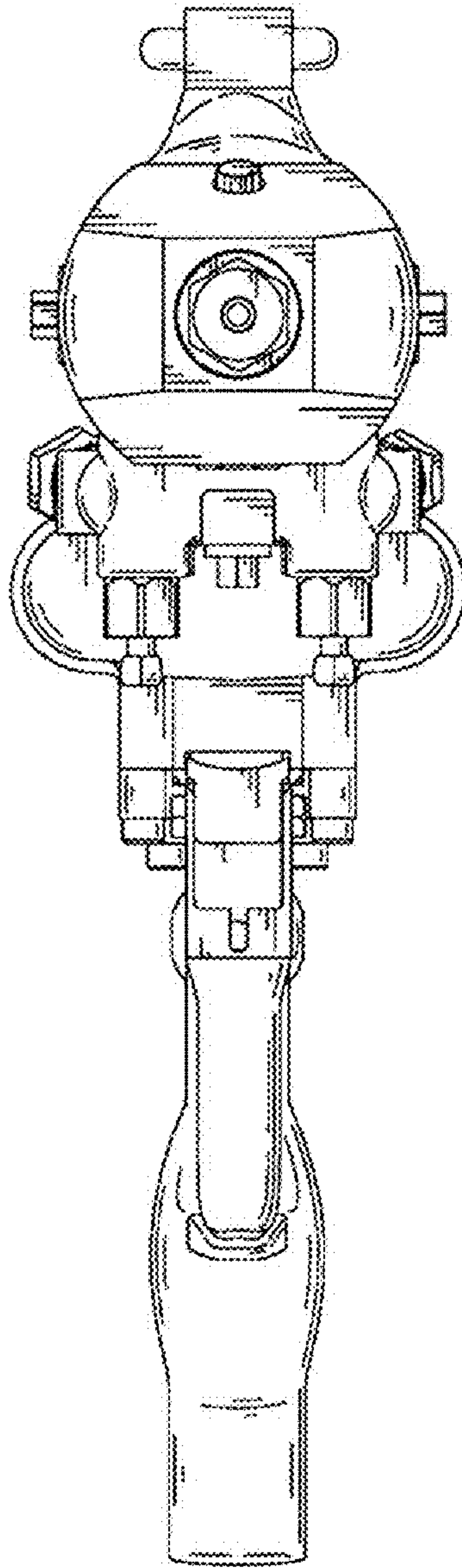




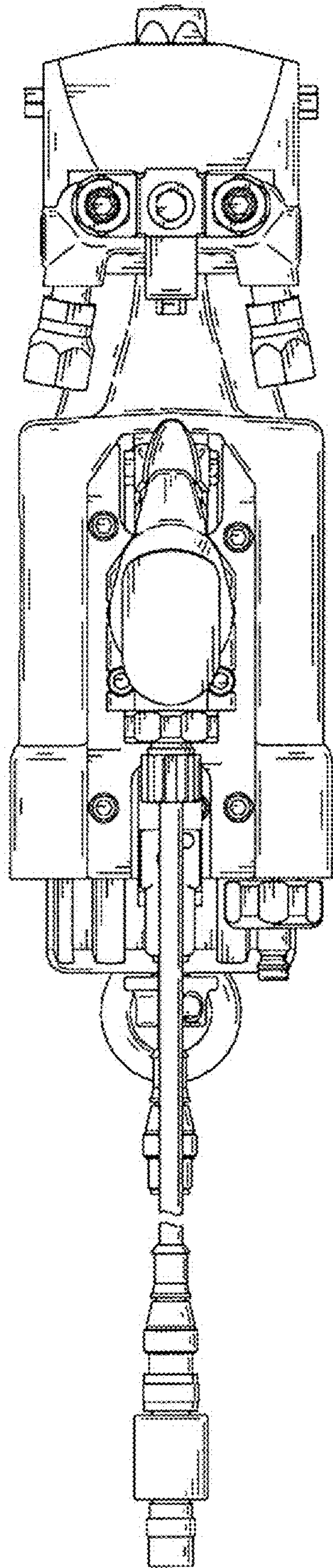
**FIG. 3**



**FIG. 4**



**FIG. 5**



**FIG. 6**