



US00D619437S

(12) **United States Design Patent**  
**Hattori**

(10) **Patent No.:** **US D619,437 S**  
(45) **Date of Patent:** **\*\* Jul. 13, 2010**

(54) **REBAR TYING MACHINE**

JP 2009-008502 1/2009

(75) Inventor: **Takeo Hattori**, Tokyo (JP)

\* cited by examiner

(73) Assignee: **Max Co., Ltd.**, Tokyo (JP)

*Primary Examiner*—Antoine D Davis

(\*\*) Term: **14 Years**

(74) *Attorney, Agent, or Firm*—Jean C. Edwards, Esq.; Akerman Senterfitt

(21) Appl. No.: **29/311,992**

(57) **CLAIM**

(22) Filed: **Aug. 18, 2009**

The ornamental design for a rebar tying machine, as shown and described.

(30) **Foreign Application Priority Data**

**DESCRIPTION**

Apr. 14, 2009 (JP) ..... 2009-008501

FIG. 1 is a perspective view of the front, left side and top plan of a rebar tying machine showing my new design;

(51) **LOC (9) Cl.** ..... **08-04**

FIG. 2 is a front view thereof;

(52) **U.S. Cl.** ..... **D8/68**

FIG. 3 is a rear view thereof;

(58) **Field of Classification Search** ..... D8/68-70;

FIG. 4 is a top plan view thereof;

140/57, 93 A, 93.6, 119

FIG. 5 is a bottom view thereof;

See application file for complete search history.

FIG. 6 is a left side view thereof;

(56) **References Cited**

FIG. 7 is a right side view thereof; and,

**U.S. PATENT DOCUMENTS**

FIG. 8 is a perspective reference view including the wire reel thereof.

5,217,049 A \* 6/1993 Forsyth ..... 140/93.6

5,431,196 A \* 7/1995 Forrester et al. .... 140/93.6

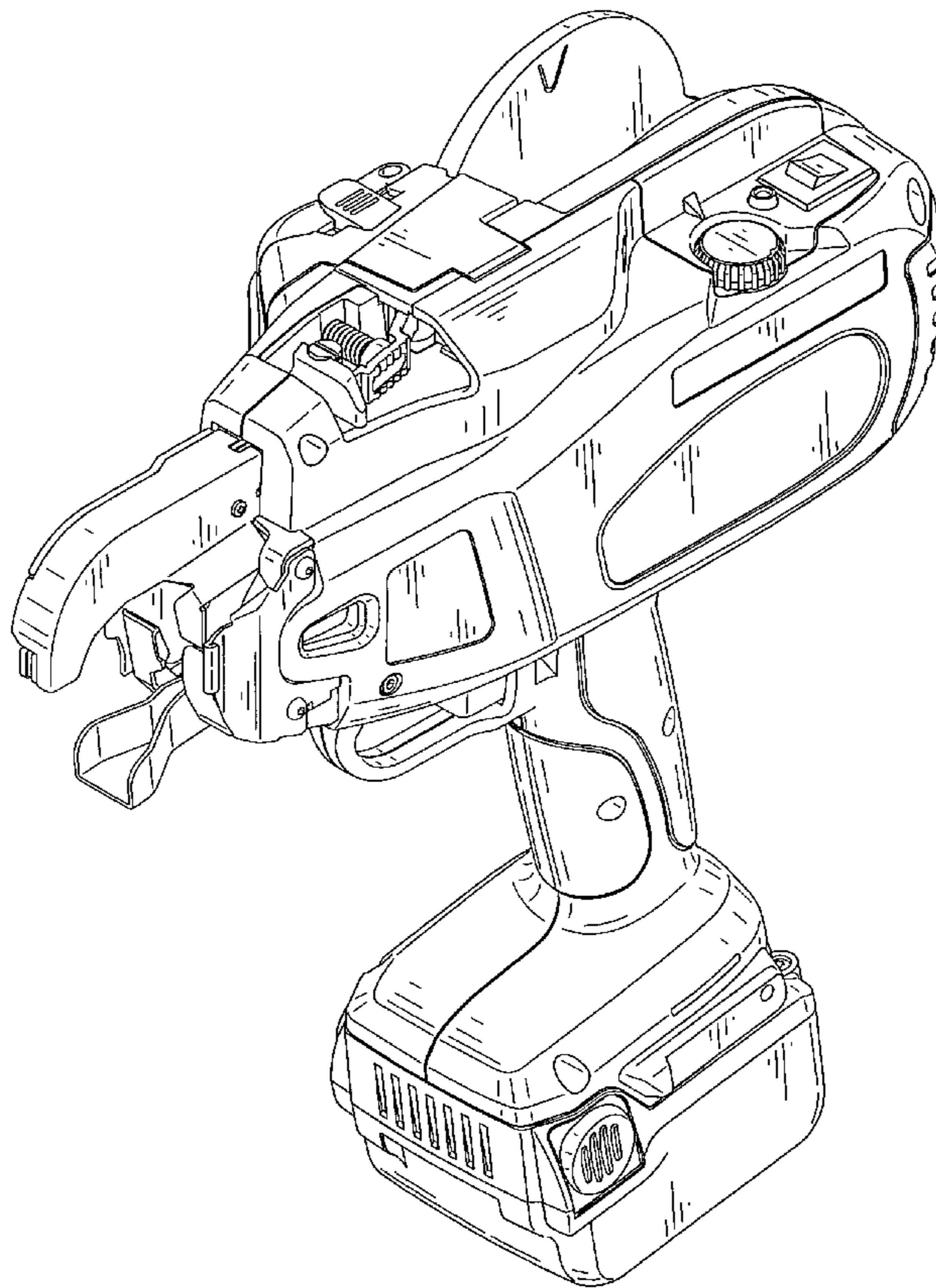
2009/0090428 A1 \* 4/2009 Kasahara et al. .... 140/119

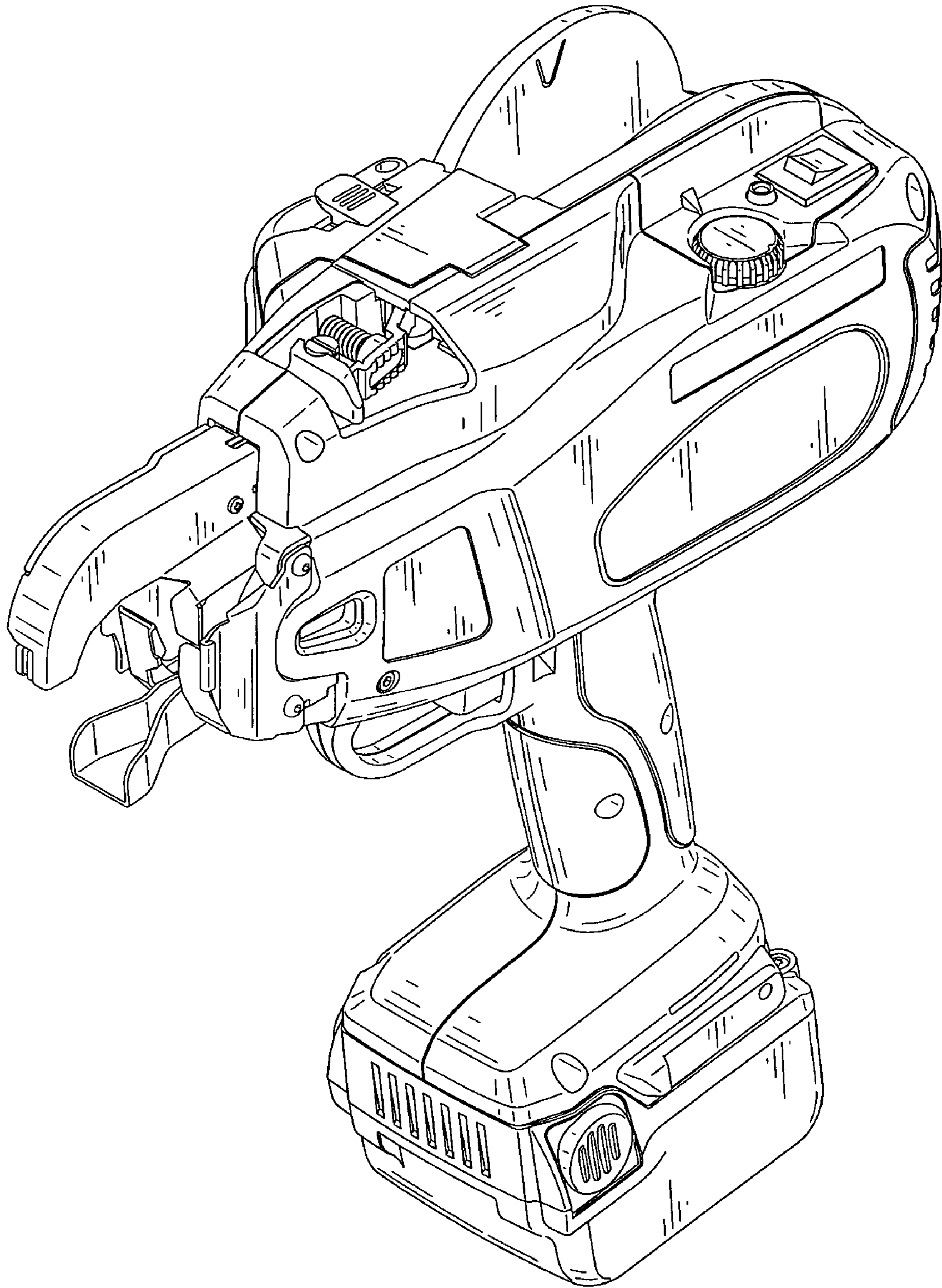
2009/0283170 A1 \* 11/2009 Nagaoka ..... 140/119

**FOREIGN PATENT DOCUMENTS**

JP D1014898 5/1998

**1 Claim, 6 Drawing Sheets**





**FIG. 1**

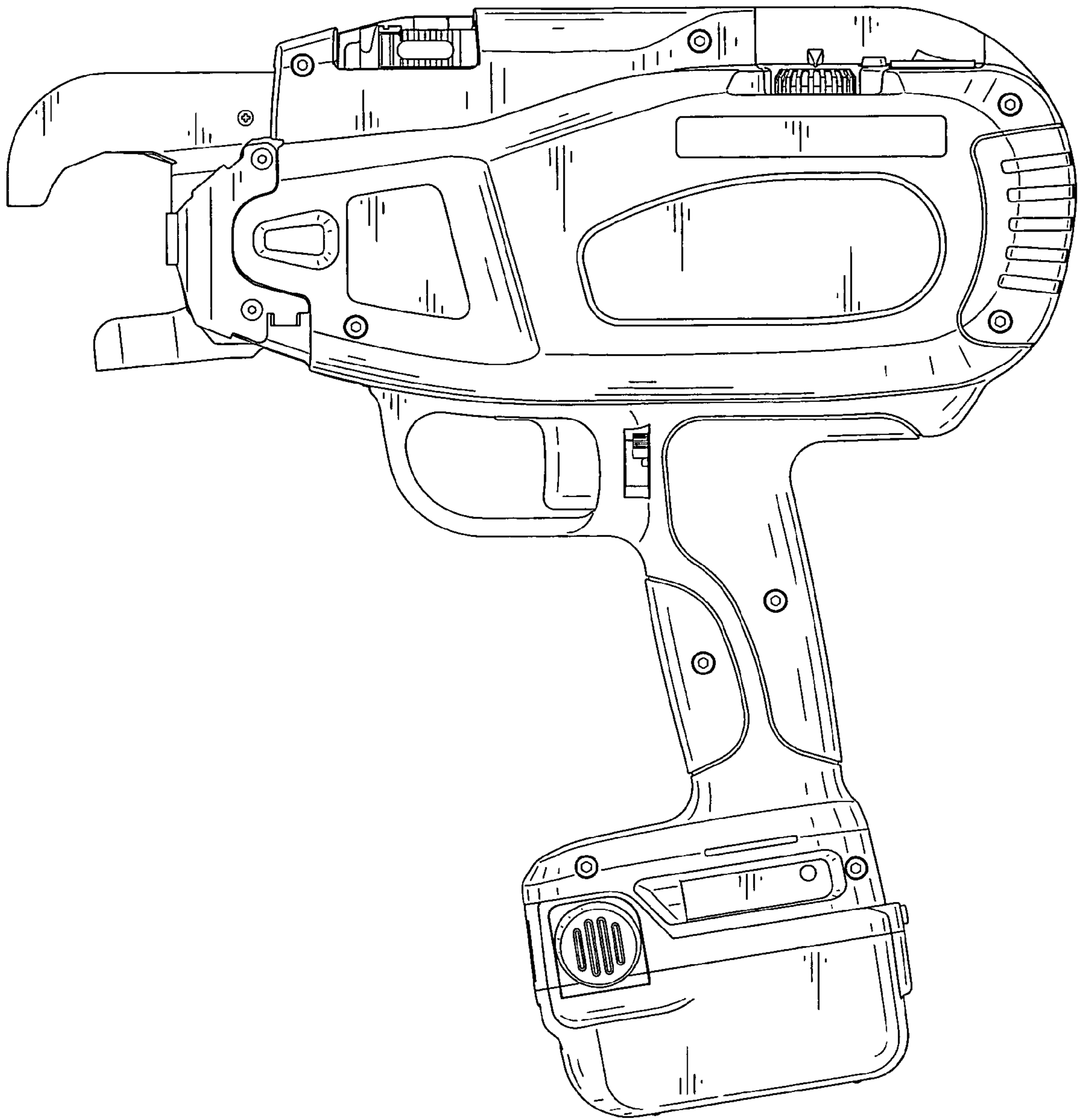


FIG. 2

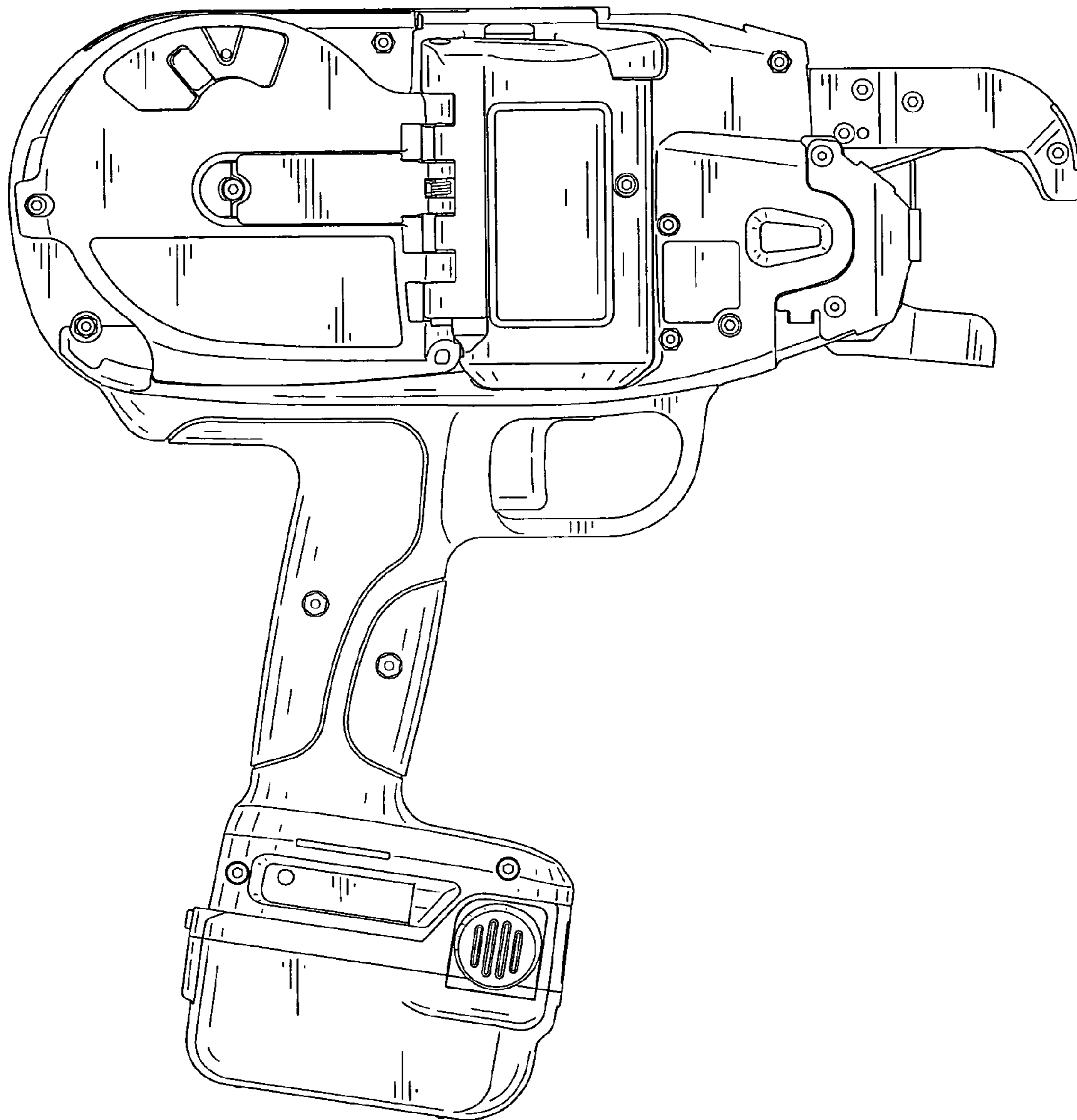


FIG. 3

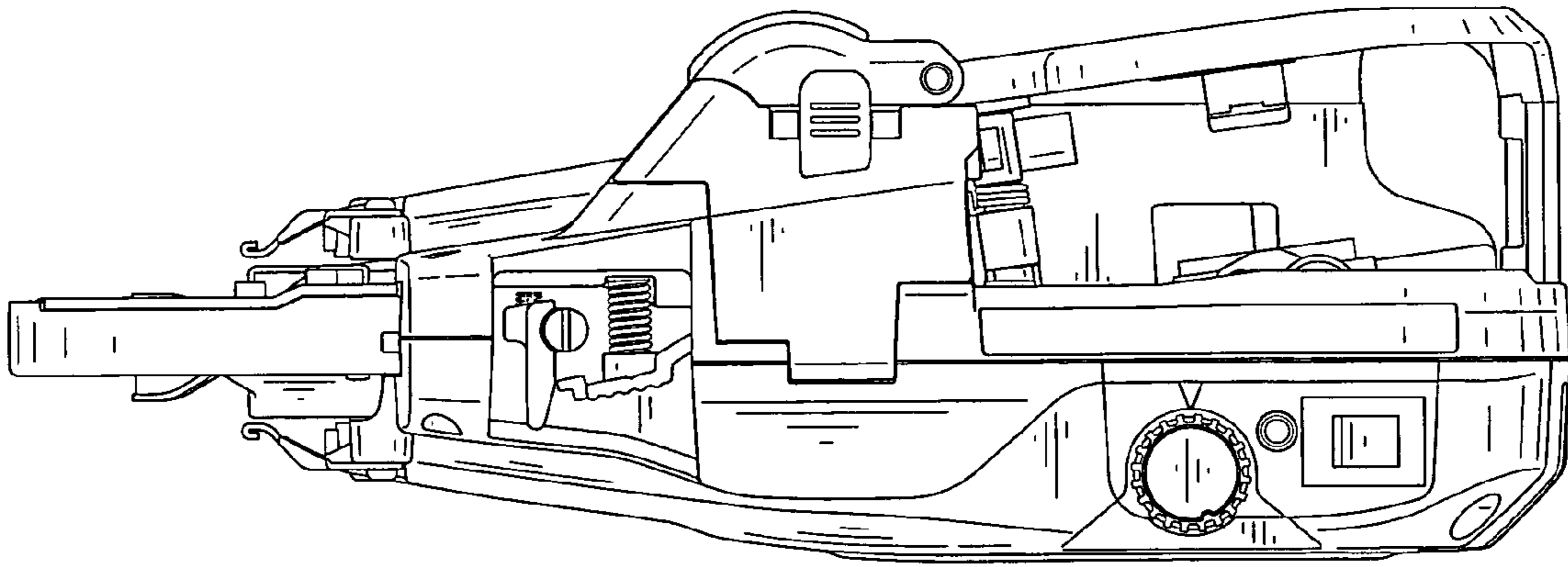


FIG. 4

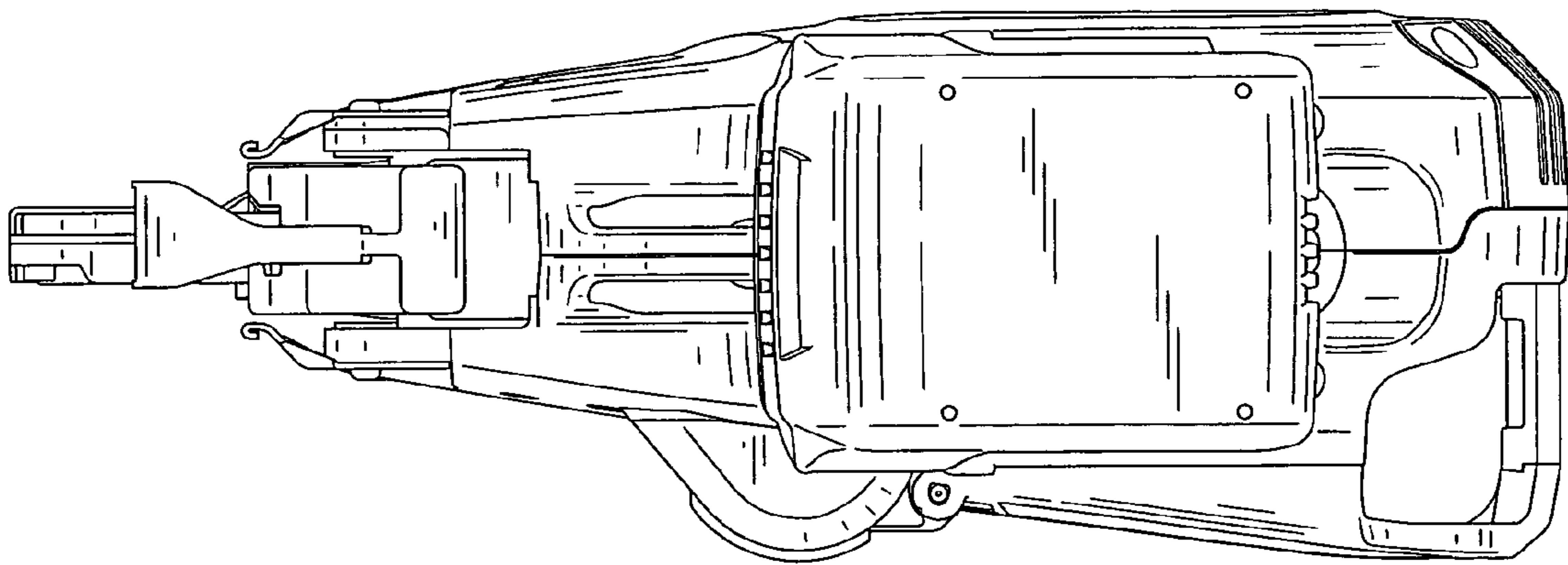


FIG. 5

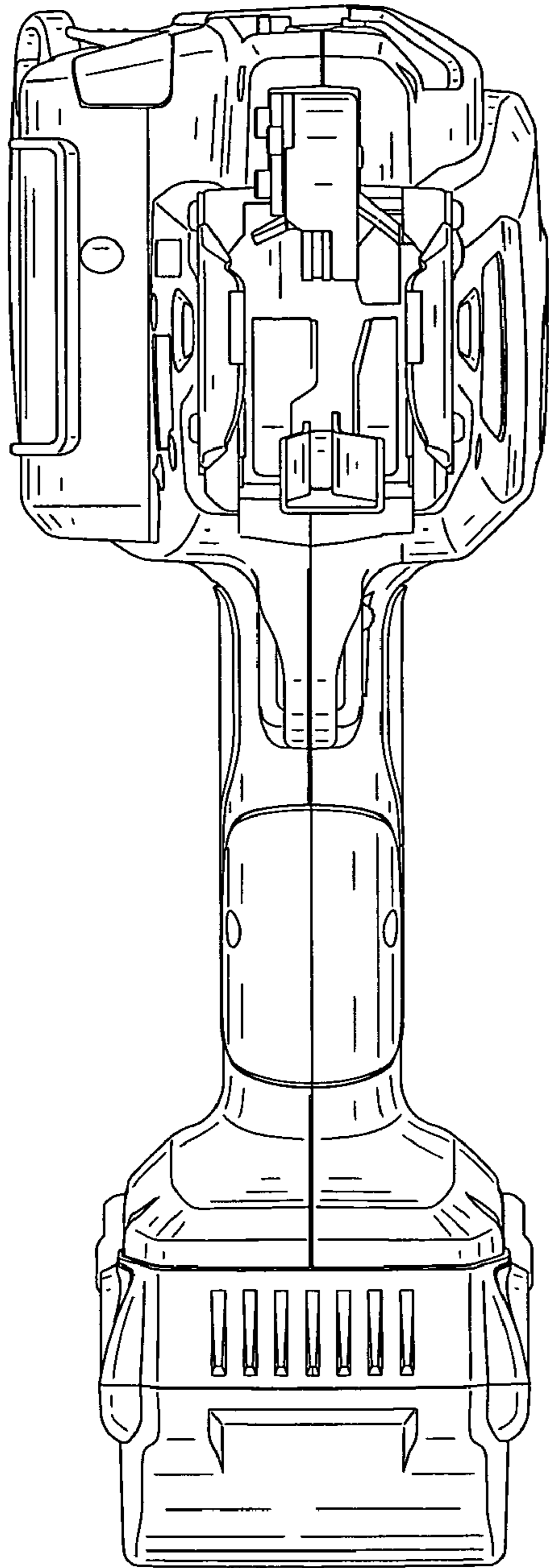


FIG. 6

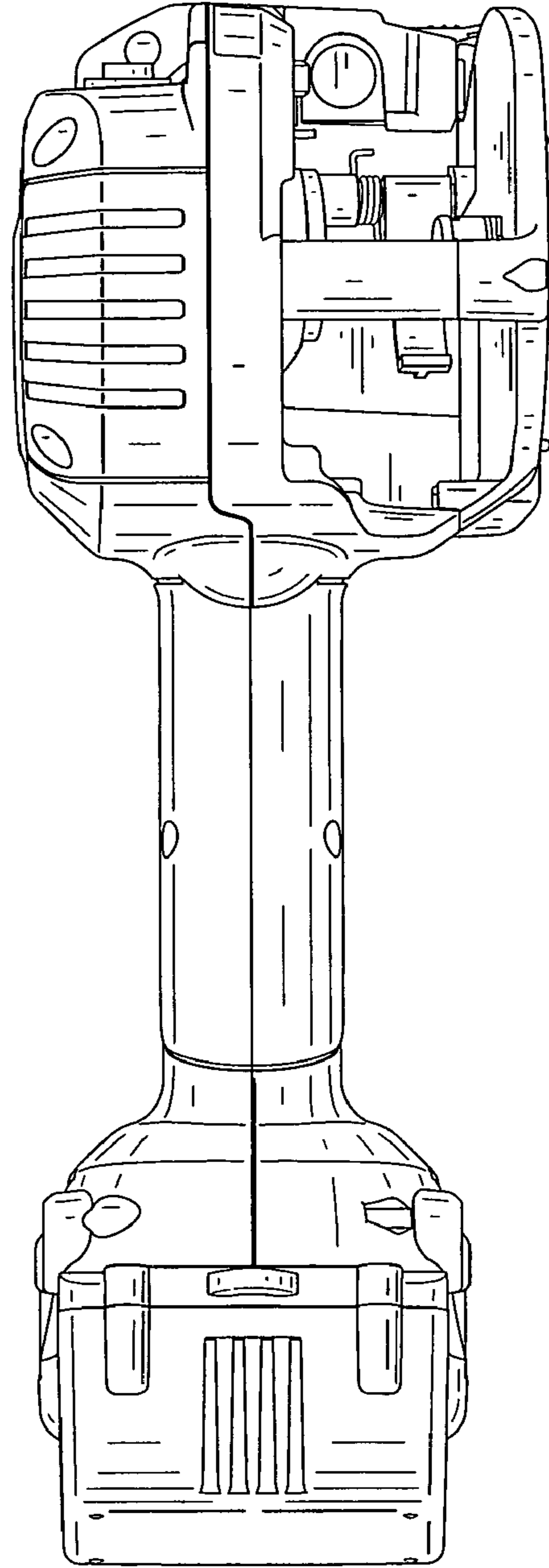


FIG. 7

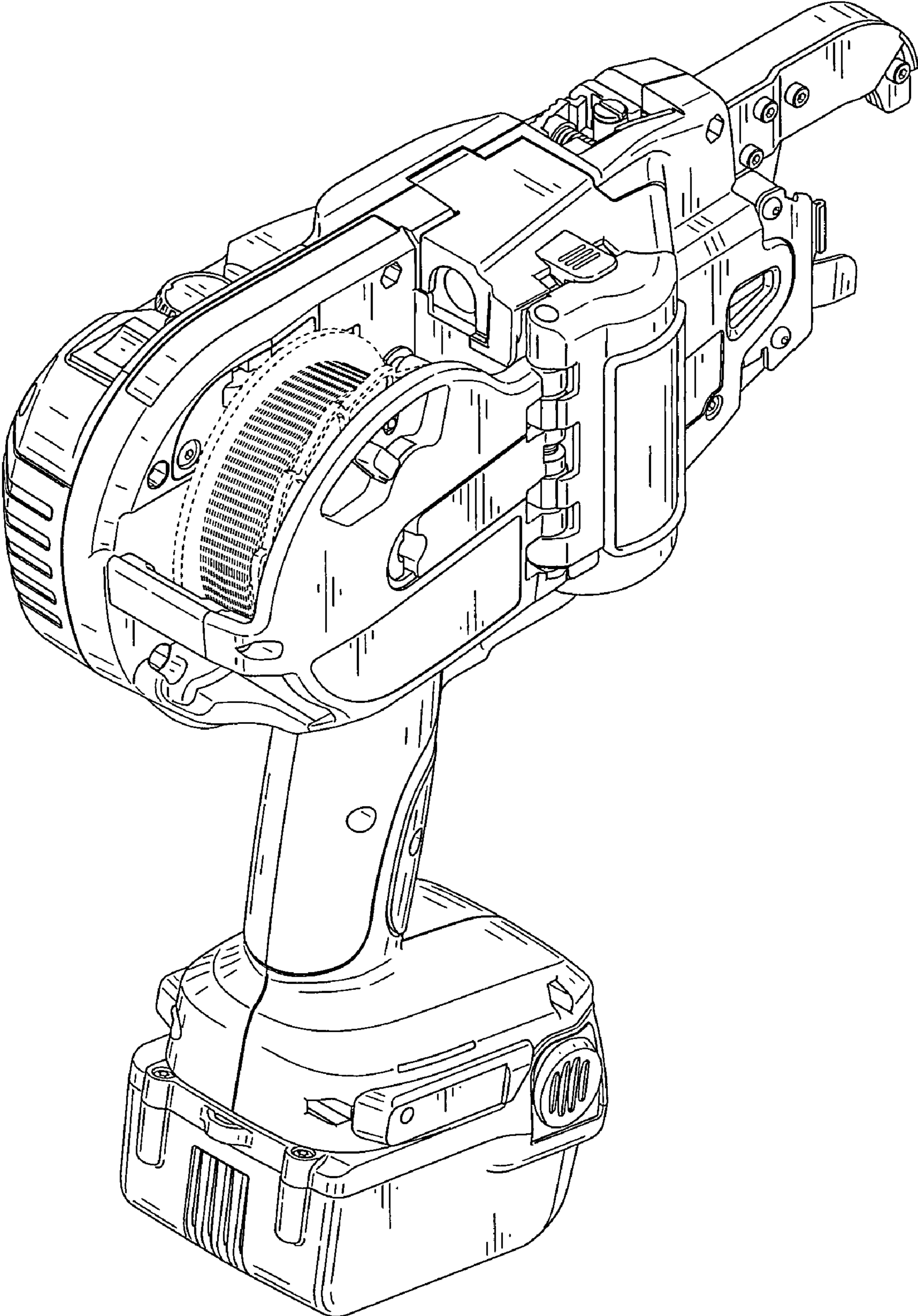


FIG. 8