



US00D619436S

(12) **United States Design Patent**
Baker et al.

(10) **Patent No.:** **US D619,436 S**
(45) **Date of Patent:** **** Jul. 13, 2010**

(54) **POWER ROUTER TOOL**

(75) Inventors: **Timothy Baker**, Aurora, IL (US);
Michael Beruscha, Algonquin, IL (US);
David Clarke, Chicago, IL (US);
Robert Glenn, Chicago, IL (US); **Kevin**
Wasielewski, Schaumburg, IL (US)

(73) Assignee: **Robert Bosch GmbH**, Stuttgart (DE)

(**) Term: **14 Years**

(21) Appl. No.: **29/294,170**

(22) Filed: **Dec. 26, 2007**

(51) **LOC (9) Cl.** **08-03**

(52) **U.S. Cl.** **D8/61**

(58) **Field of Classification Search** D8/61,
D8/67, 70, 107; 409/182, 180, 134, 132,
409/131; 144/48.6, 252.1, 154.5, 136.95
See application file for complete search history.

(56) **References Cited**

U.S. PATENT DOCUMENTS

D364,790	S	*	12/1995	Duennes	D8/61
5,813,805	A		9/1998	Kopras		
5,829,931	A		11/1998	Doumani		
D437,757	S	*	2/2001	Thomson et al.	D8/61
6,447,221	B1		9/2002	Chen		
D470,375	S	*	2/2003	Lopano	D8/61
D470,735	S	*	2/2003	Heun	D8/61
D471,781	S	*	3/2003	Heun	D8/61
D477,203	S	*	7/2003	Heun	D8/61
D477,758	S	*	7/2003	Chunn et al.	D8/64
D478,259	S	*	8/2003	Heun	D8/61

D484,763	S	*	1/2004	Sham et al.	D8/64
6,820,339	B2		11/2004	Albrightson		
6,886,643	B2	*	5/2005	Riley et al.	173/29
D527,964	S	*	9/2006	Riley et al.	D8/61
D529,354	S		10/2006	Davis et al.		
D567,613	S	*	4/2008	Steinfels	D8/67
2004/0222600	A1	*	11/2004	Jacobs et al.	279/48
2009/0165892	A1	*	7/2009	Baker et al.	144/153

* cited by examiner

Primary Examiner—Cathron C Brooks

Assistant Examiner—Austin Murphy

(74) *Attorney, Agent, or Firm*—Greer, Burns & Crain, Ltd.

(57) **CLAIM**

The ornamental design for a power router tool, as shown and described.

DESCRIPTION

FIG. 1 is a front left side perspective view of the power router tool showing my new design;

FIG. 2 is a rear right side perspective of the tool shown in FIG. 1;

FIG. 3 is a left side view of the tool shown in FIG. 1;

FIG. 4 is a right side view of the tool shown in FIG. 1;

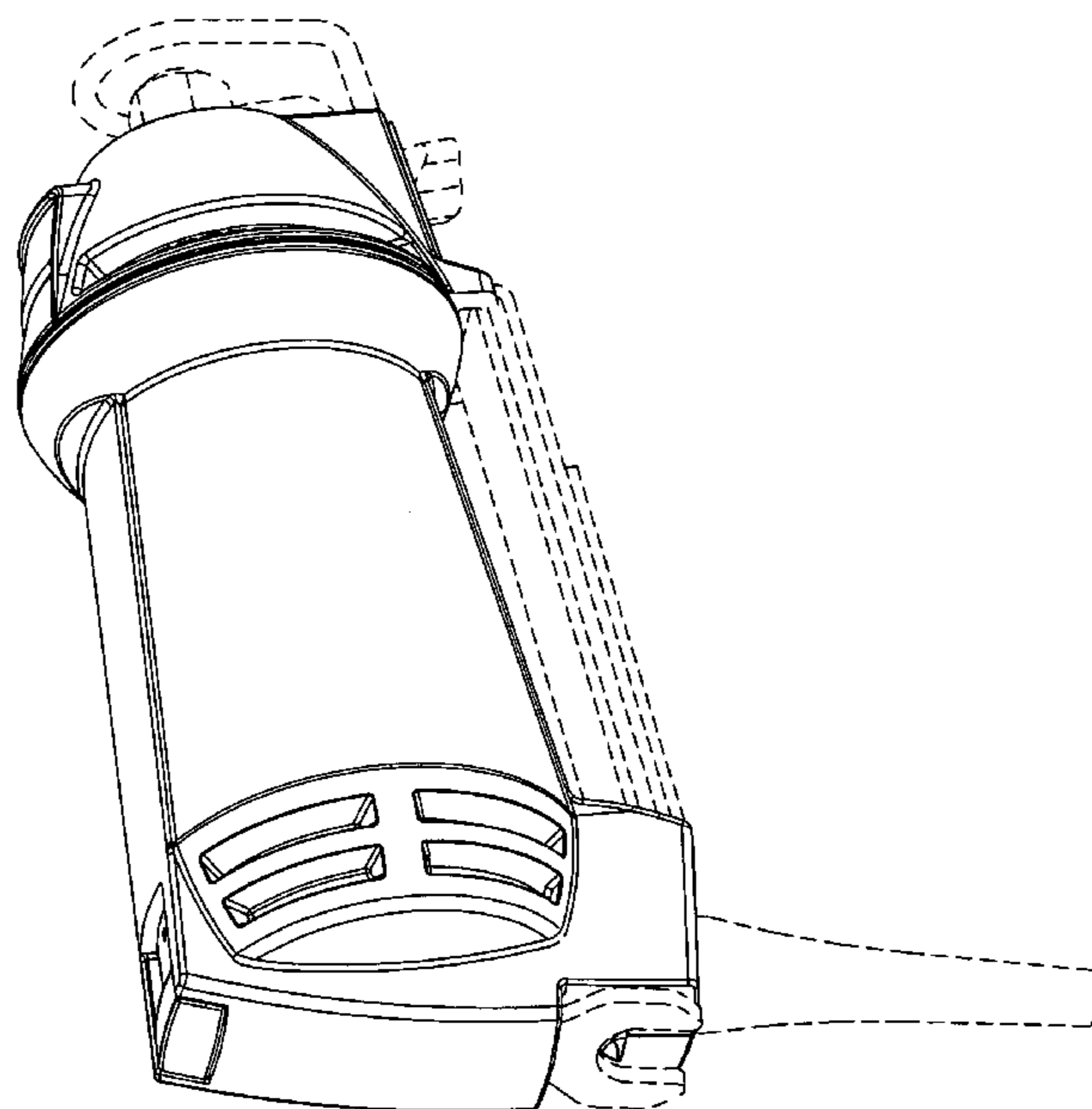
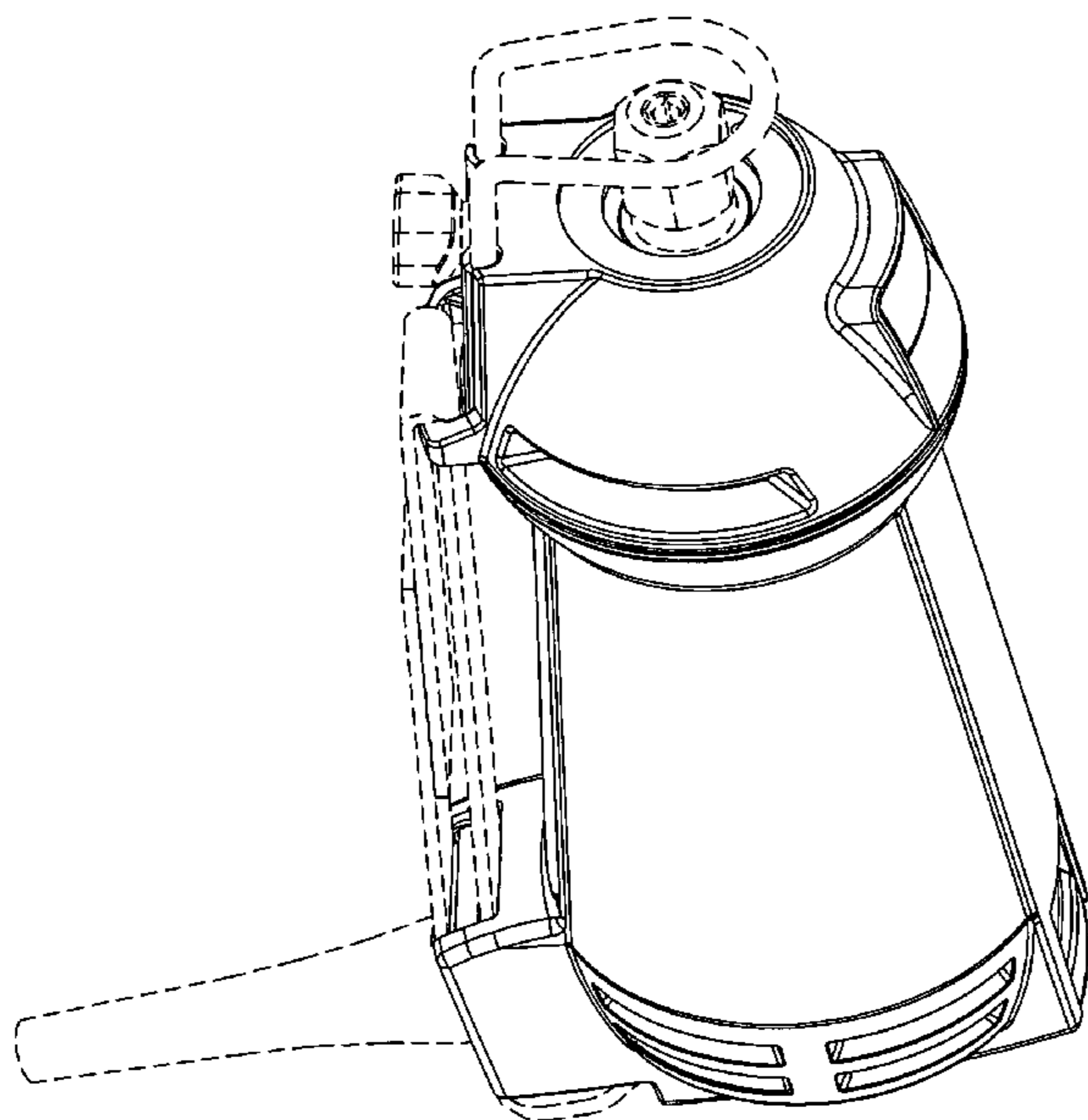
FIG. 5 is a top plan view of the tool shown in FIG. 1;

FIG. 6 is a front end view of the tool shown in FIG. 1; and,

FIG. 7 is a rear end view of the tool shown in FIG. 1.

The subject matter depicted in broken lines is not intended to be part of the claimed invention and is shown only for environment purposes.

1 Claim, 6 Drawing Sheets



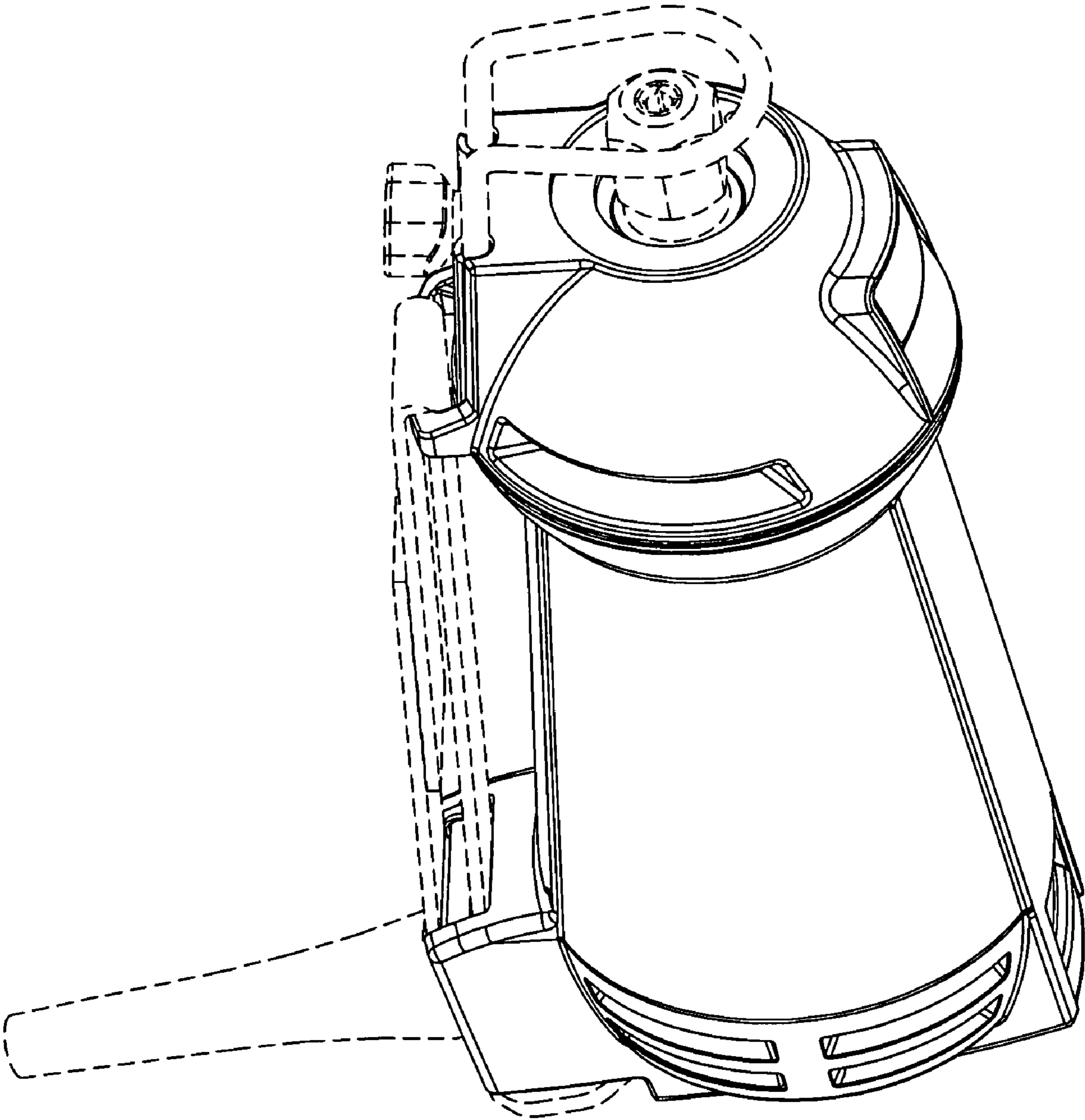


FIG. 1

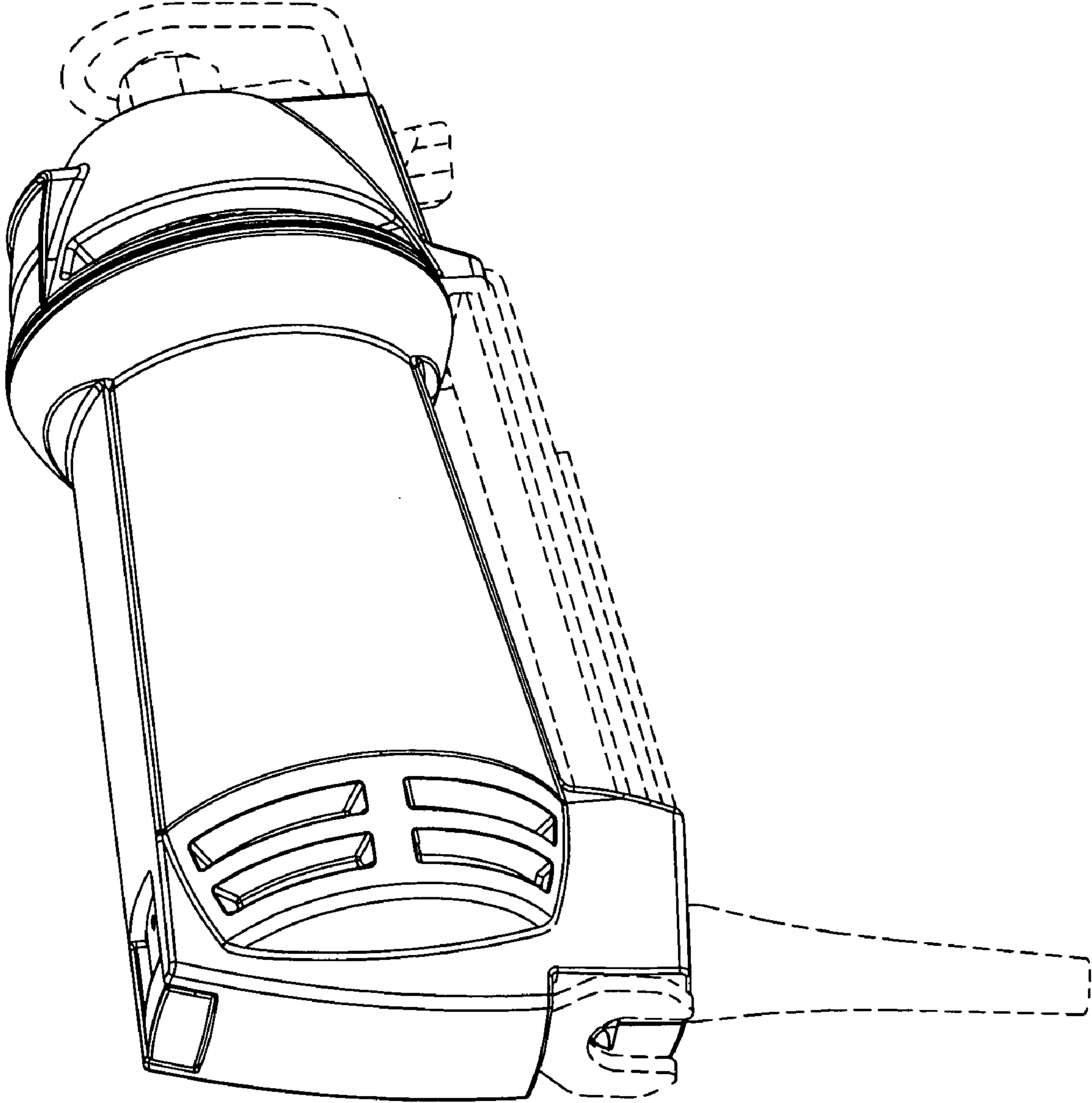


FIG. 2

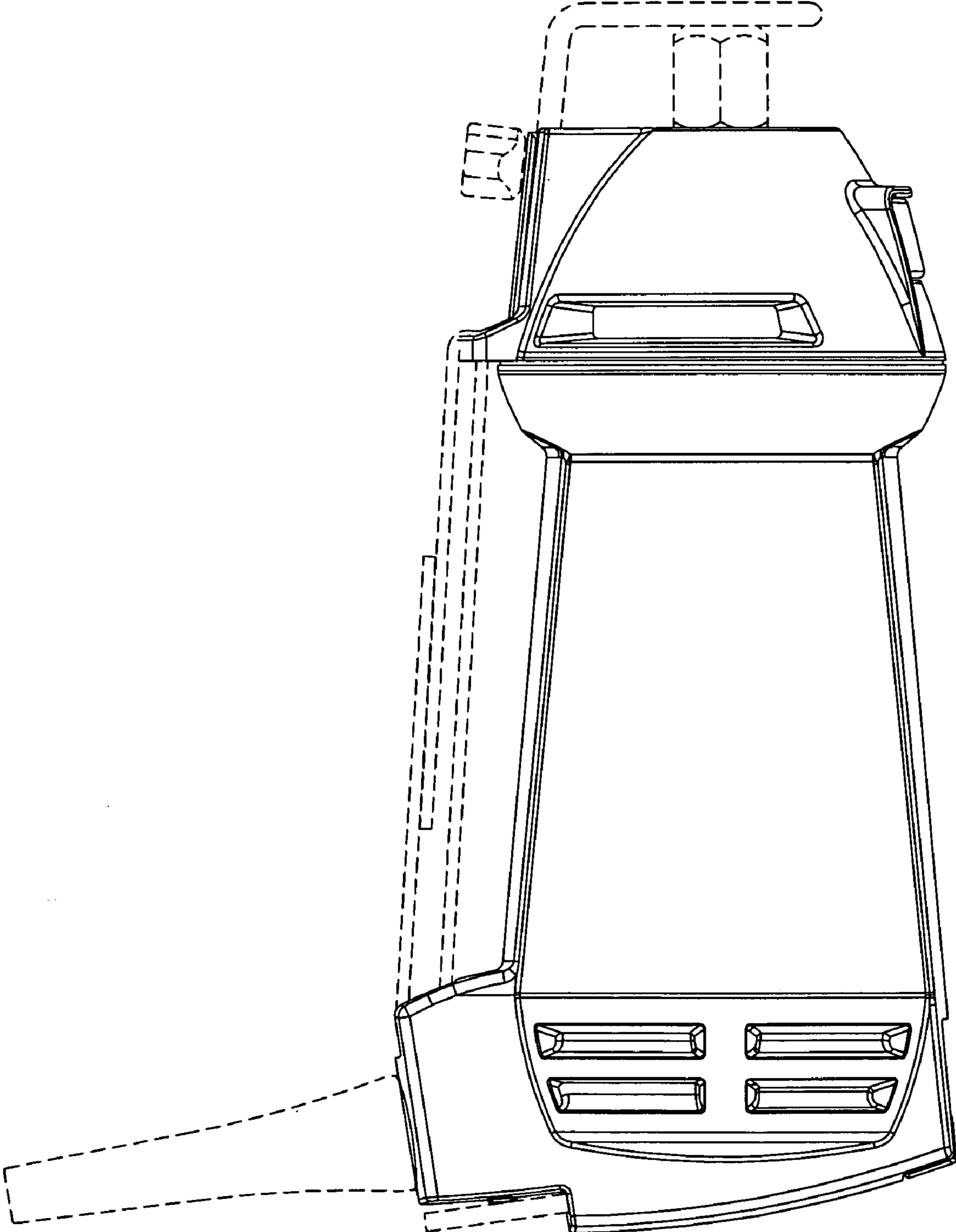


FIG. 3

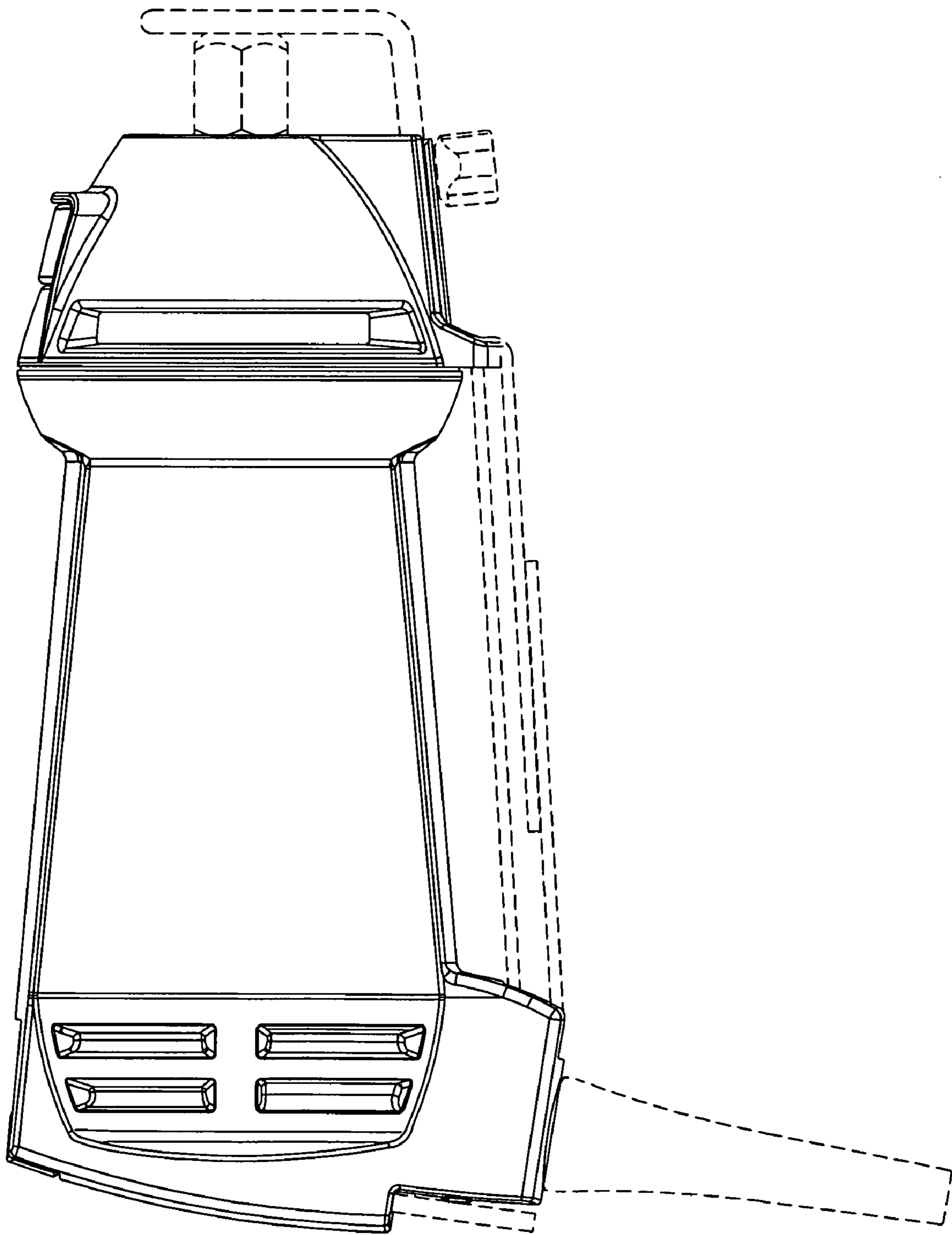


FIG. 4

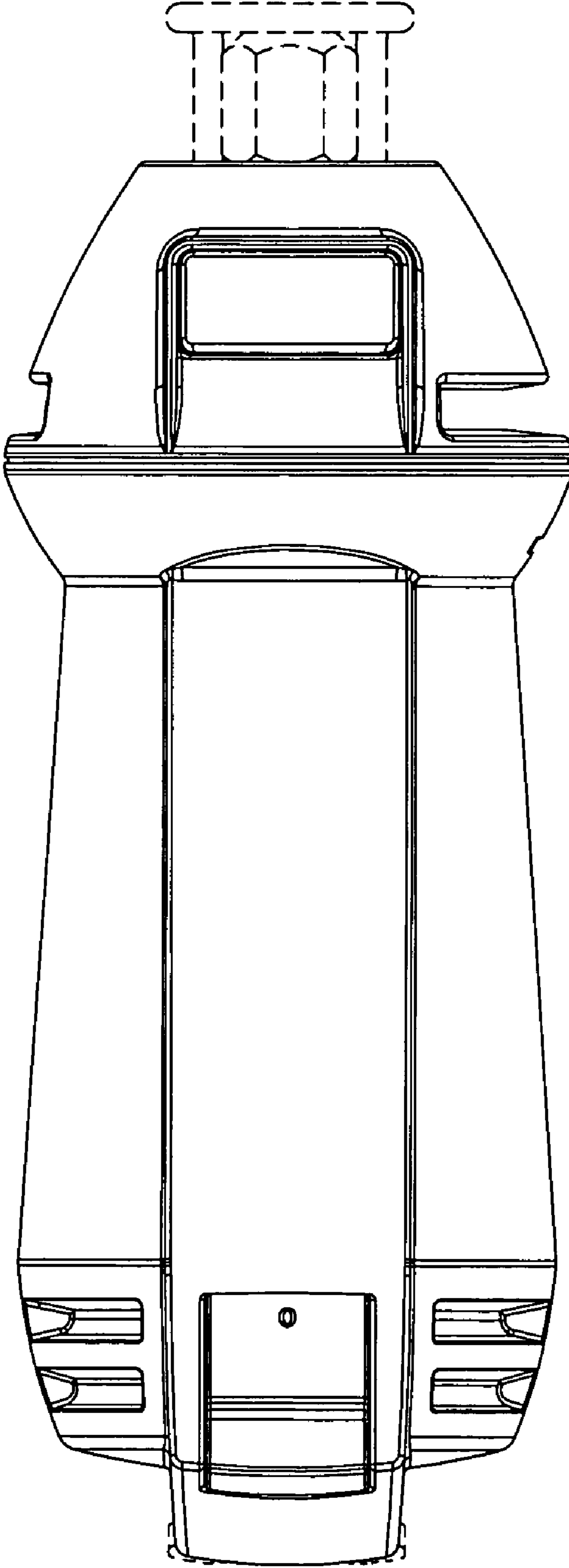


FIG. 5

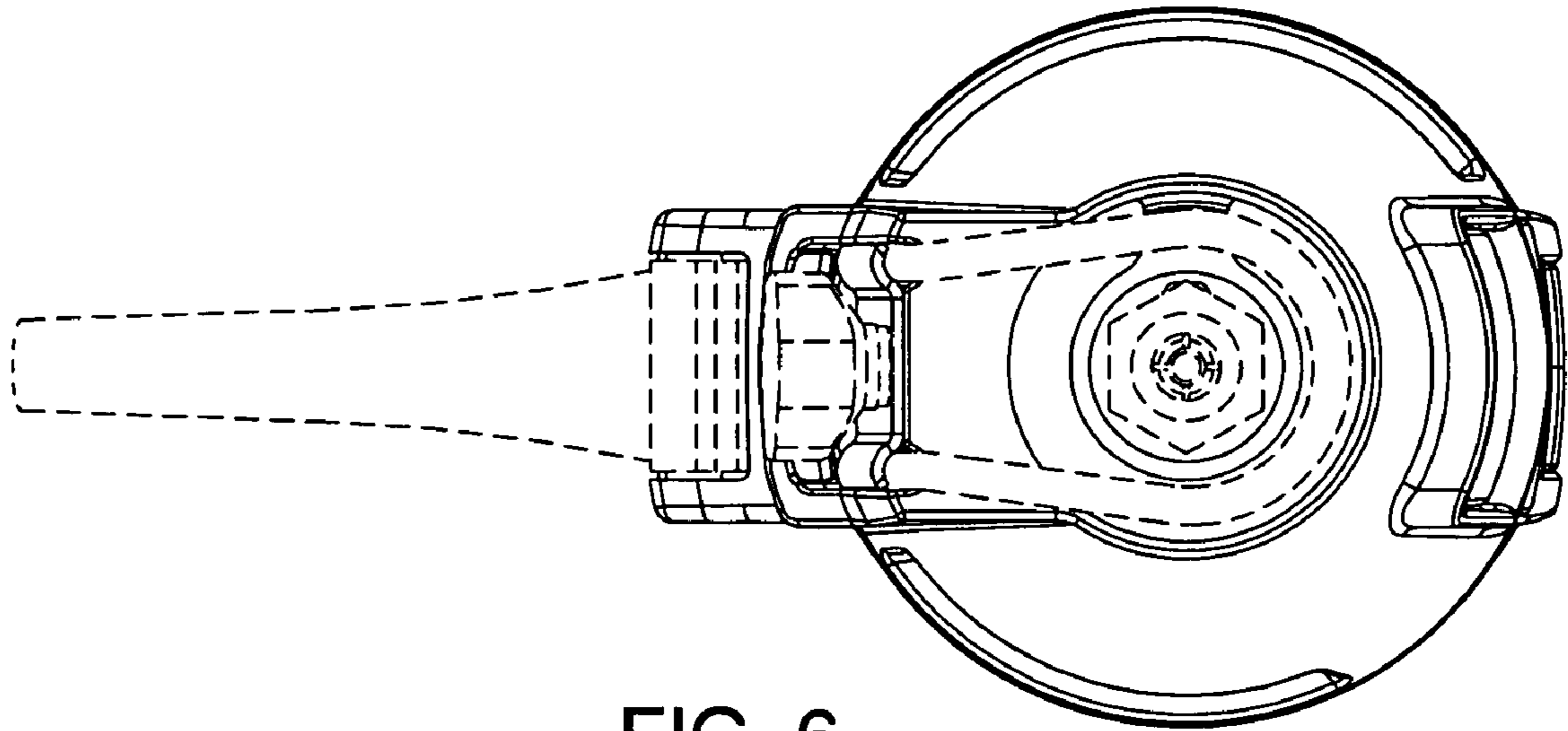


FIG. 6

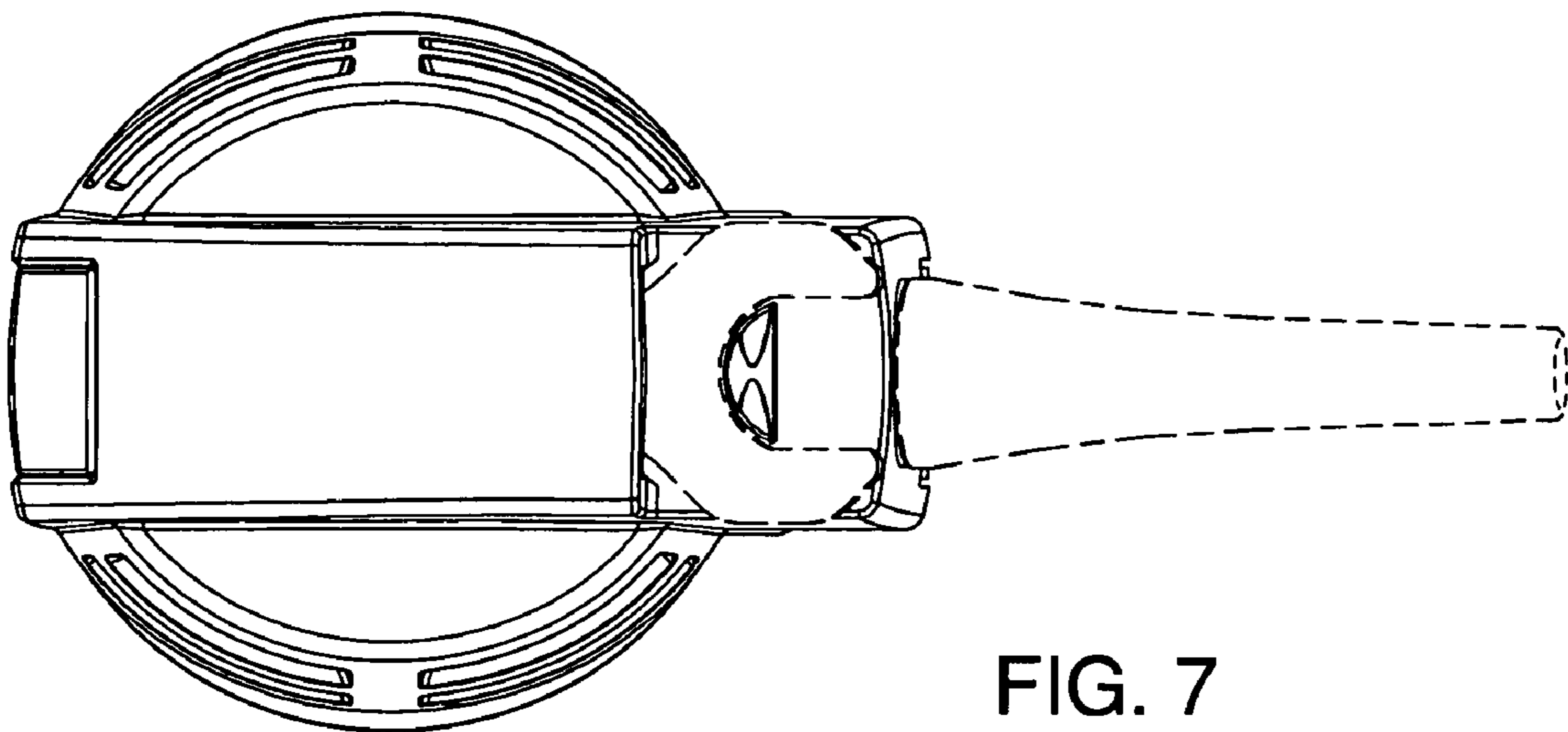


FIG. 7