



US00D619435S

(12) **United States Design Patent**  
**Navas**

(10) **Patent No.:** **US D619,435 S**  
(45) **Date of Patent:** **\*\* Jul. 13, 2010**

(54) **PIPE TEST PLUG WRENCH**

(76) Inventor: **Sergio Navas**, 3a calle "B" 2-28 Zona 3,  
Estanzuela, Zacapa (GT) 19002

(\*\*) Term: **14 Years**

(21) Appl. No.: **29/353,289**

(22) Filed: **Jan. 6, 2010**

(51) **LOC (9) Cl.** ..... **08-05**

(52) **U.S. Cl.** ..... **D8/27**

(58) **Field of Classification Search** ..... D8/21-30;  
81/60, 177.1, 177.85, 121.1, 124.3, 165-170,  
81/110.1, 176.2, 124.6, 176.1, 176.15, 177.2;  
16/110.1; D15/144.1; 219/75, 227, 229,  
219/121.16, 121.18

See application file for complete search history.

(56) **References Cited**

**U.S. PATENT DOCUMENTS**

D267,392 S \* 12/1982 Hildebrandt ..... D8/28  
D285,948 S \* 9/1986 Mazzoleni ..... D21/486  
D287,927 S \* 1/1987 Zankich ..... D8/17

D333,243 S \* 2/1993 Brown ..... D8/21  
D344,437 S \* 2/1994 Cleland et al. .... D8/21  
D351,975 S \* 11/1994 Brunner ..... D8/21  
D387,640 S \* 12/1997 Von Fange ..... D8/28  
D431,982 S \* 10/2000 Nyberg ..... D8/21  
D519,342 S \* 4/2006 Hartman et al. .... D8/28  
D596,002 S \* 7/2009 Bunker ..... D8/28

\* cited by examiner

*Primary Examiner*—Raphael Barkai  
*Assistant Examiner*—Randall H Gholson

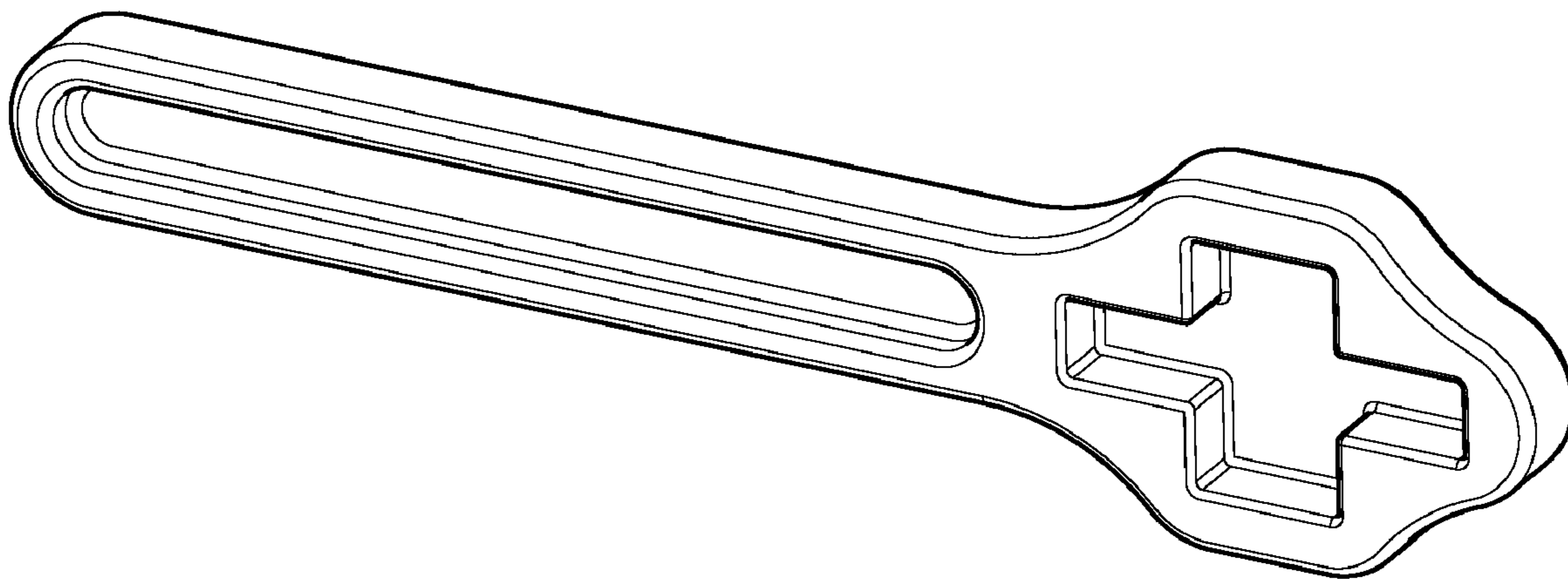
(57) **CLAIM**

I claim the ornamental design for a pipe test plug wrench, as shown and described.

**DESCRIPTION**

FIG. 1 shows a perspective view of the pipe test plug wrench.  
FIG. 2 demonstrates a side elevation of the pipe test plug wrench as shown in FIG. 1; and,  
FIG. 3 portrays a perspective view of the pipe test plug wrench as shown in FIG. 1.

**1 Claim, 1 Drawing Sheet**



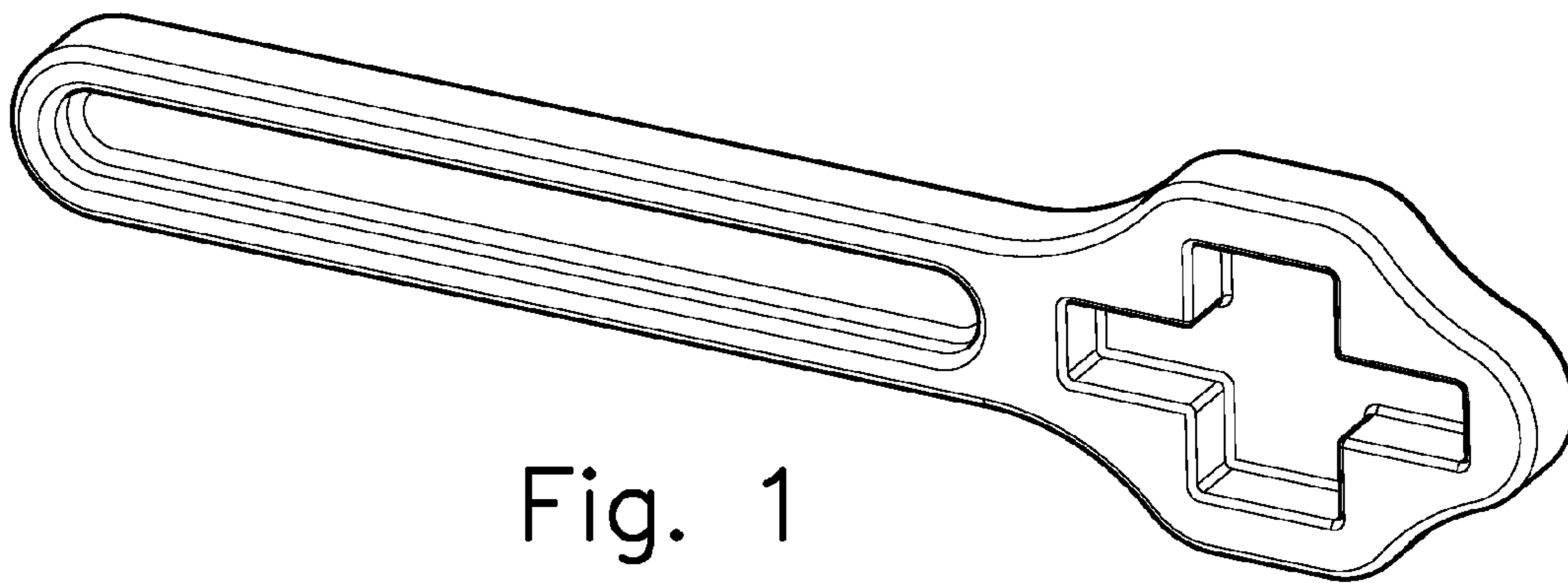


Fig. 1



Fig. 2

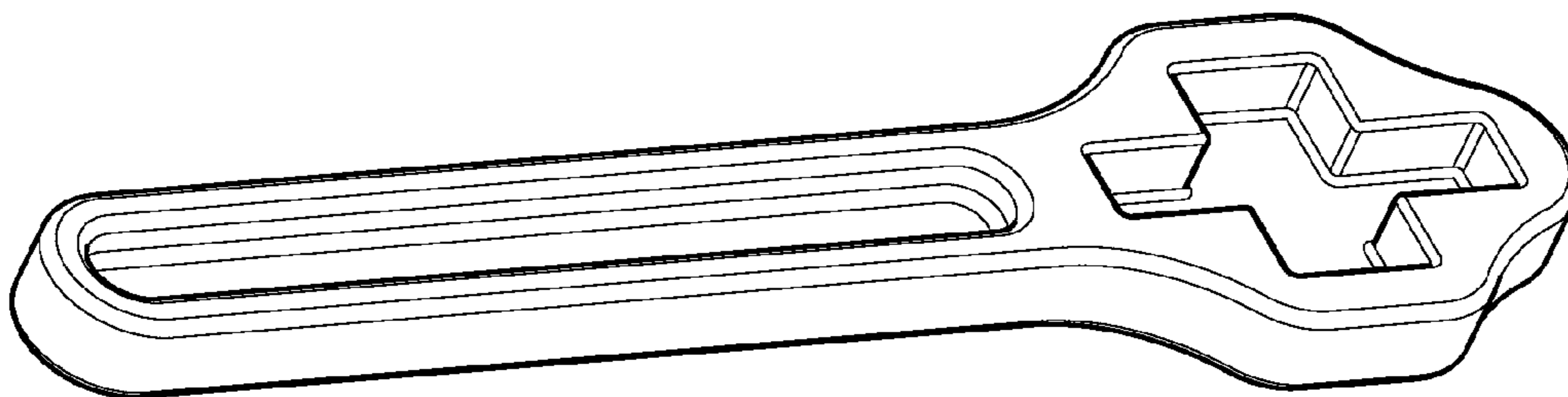


Fig. 3