



US00D619431S

(12) **United States Design Patent**
Wax

(10) **Patent No.:** **US D619,431 S**
(45) **Date of Patent:** **** Jul. 13, 2010**

(54) **WINE AERATOR**

(76) Inventor: **Barry Wax**, P.O. Box 1214, Sandia Park, NM (US) 87047

(**) Term: **14 Years**

(21) Appl. No.: **29/317,793**

(22) Filed: **May 7, 2008**

(51) **LOC (9) Cl.** **07-99**

(52) **U.S. Cl.** **D7/700**

(58) **Field of Classification Search** D7/300,
D7/305, 309-311, 368, 396.1-396.2, 397,
D7/400-401, 412, 415, 505, 507, 213; D23/200;
99/275, 277, 277.1-277.2, 323.1-323.2;
D9/440

See application file for complete search history.

(56) **References Cited**

U.S. PATENT DOCUMENTS

1,332,358	A *	3/1920	Petersen	210/251
D110,902	S *	8/1938	Loesch	D7/558
D260,470	S *	9/1981	Angelakos	D7/507
D499,315	S *	12/2004	Settele	D7/700
D514,901	S *	2/2006	Wang	D7/700
D517,178	S *	3/2006	Bickford	D23/293.1
D521,129	S *	5/2006	Bickford	D23/293.1
D535,559	S *	1/2007	Kehoe	D9/440
D558,516	S *	1/2008	Bulala et al.	D7/400
D600,498	S *	9/2009	Ma et al.	D7/397
D604,560	S *	11/2009	Priest	D7/507
D605,465	S *	12/2009	Benton et al.	D7/396.2

* cited by examiner

Primary Examiner—Ian Simmons

Assistant Examiner—Dana L Sipos

(74) *Attorney, Agent, or Firm*—Peacock Myers, P.C.; Janeen Vilven

(57) **CLAIM**

The ornamental design for a wine aerator, as shown and described.

DESCRIPTION

FIG. 1 is a perspective view of a wine aerator with the stemware adaptor removed;

FIG. 2 is a top plan view thereof, shown at a reduced scale;

FIG. 3 is a bottom plan view thereof;

FIG. 4 is a side elevation view thereof;

FIG. 5 is a perspective view of the stemware adaptor portion with the wine aerator removed;

FIG. 6 is a top plan view thereof, shown at a reduced scale;

FIG. 7 is a bottom plan view thereof;

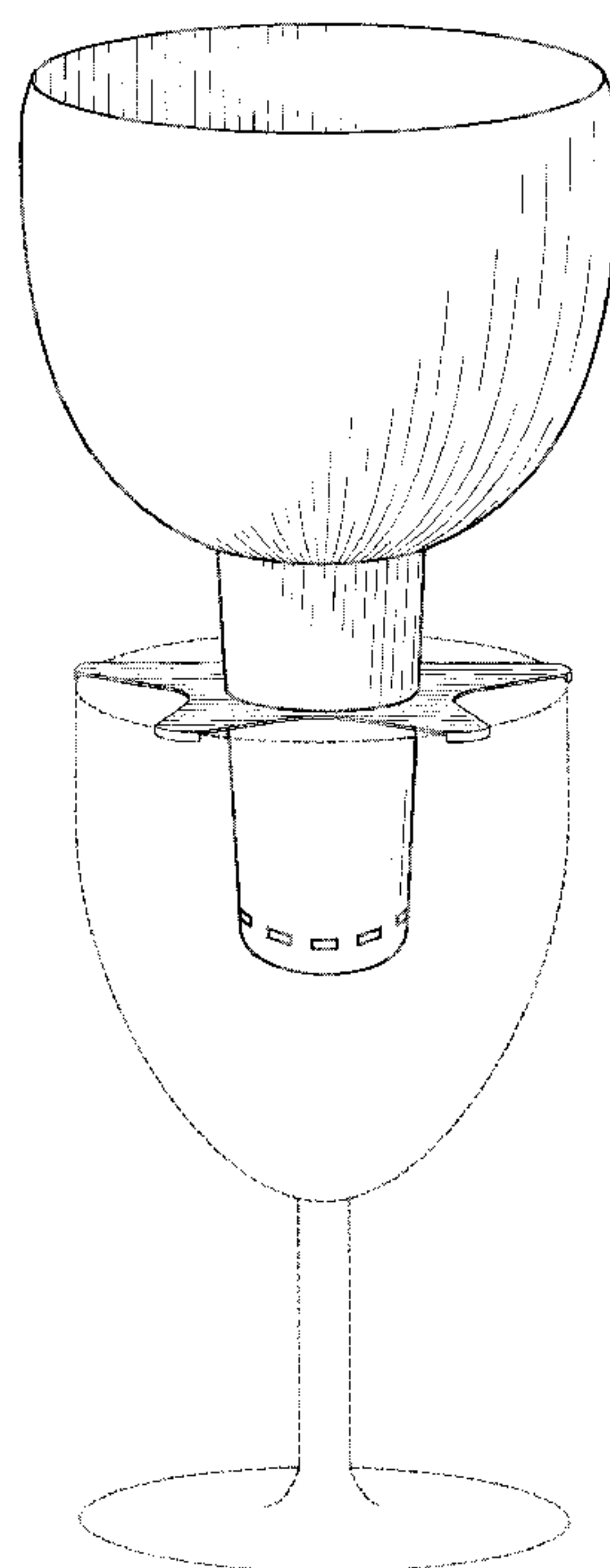
FIG. 8 is a side elevation view thereof;

FIG. 9 is a perspective view of the wine aerator showing my new design; and,

FIG. 10 is a side elevation view of the wine aerator with the stemware adaptor removed.

The broken line showing of the stemware in FIG. 9 and the decanter in FIG. 10 are for the purpose of illustrating the environment related to the claimed design and forms no part of the claimed design.

1 Claim, 6 Drawing Sheets



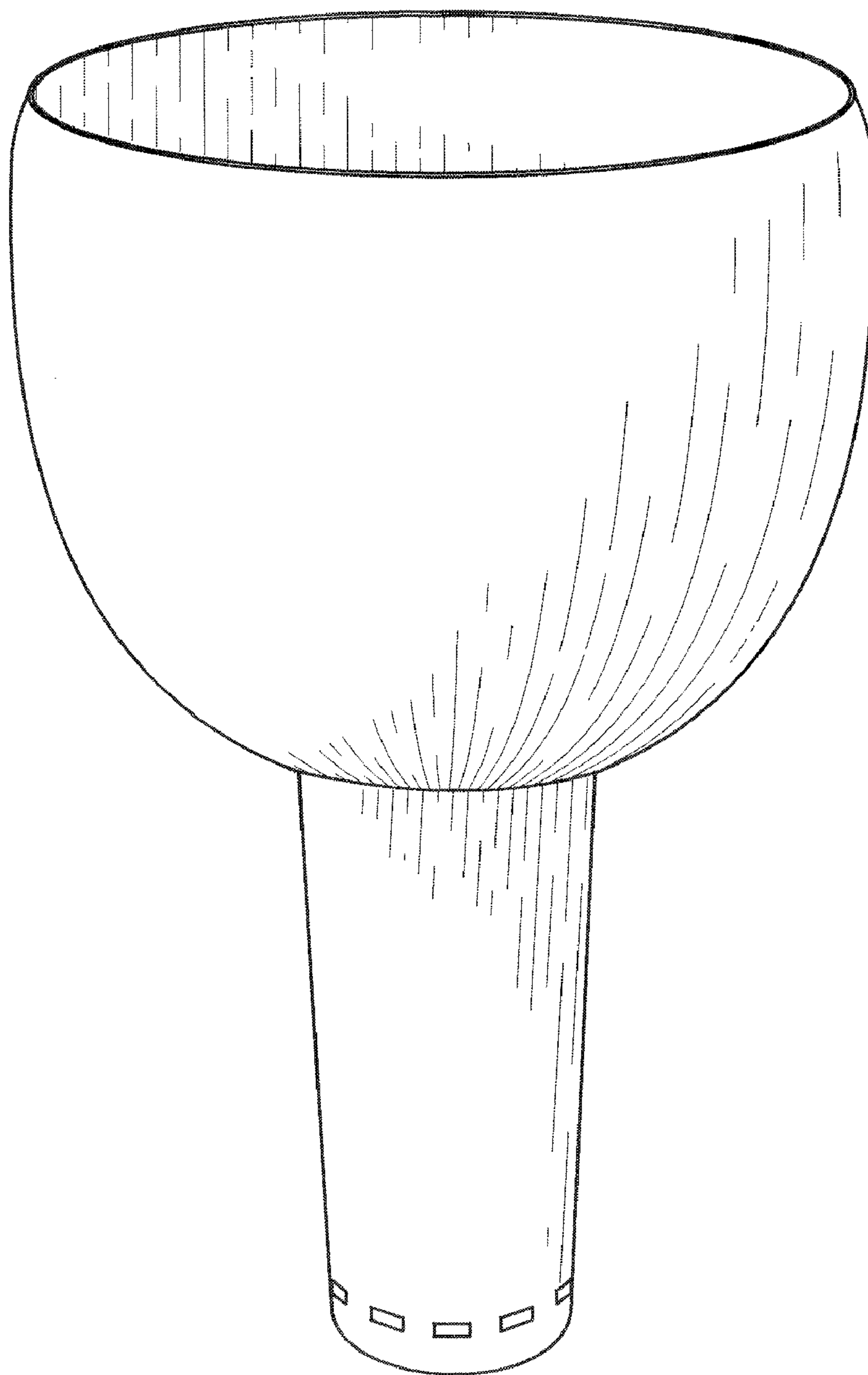


FIG. 1

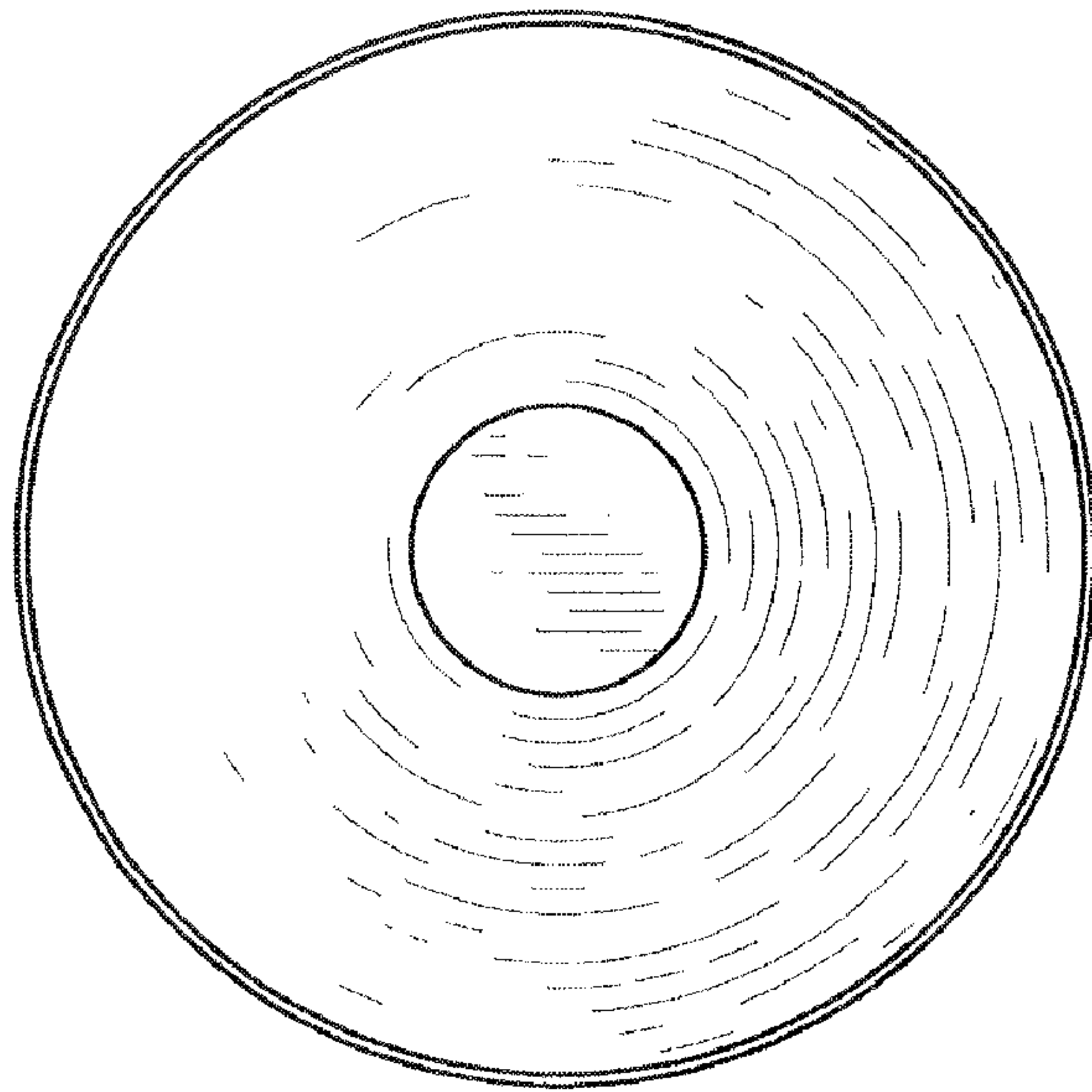


FIG. 2

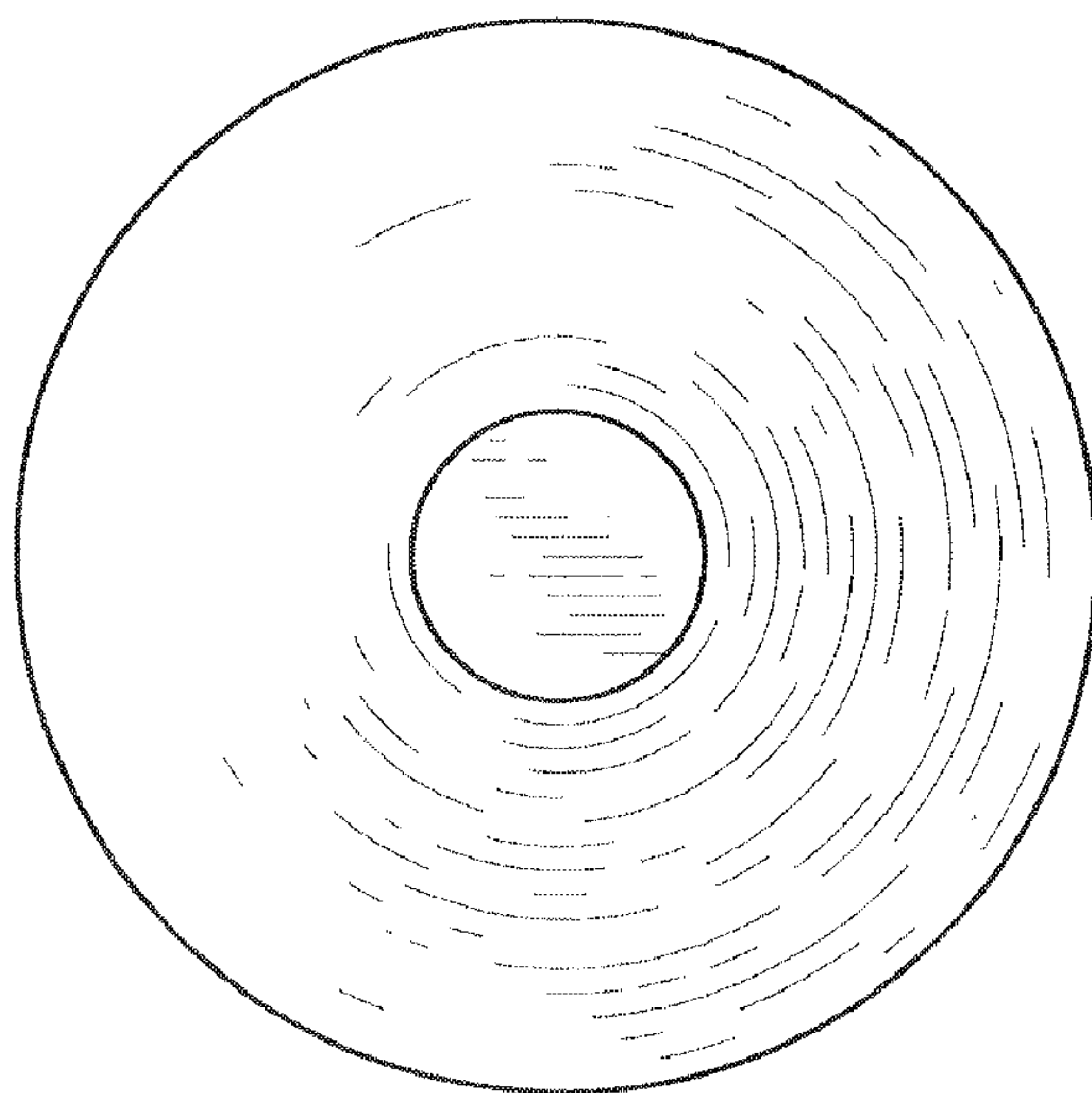


FIG. 3

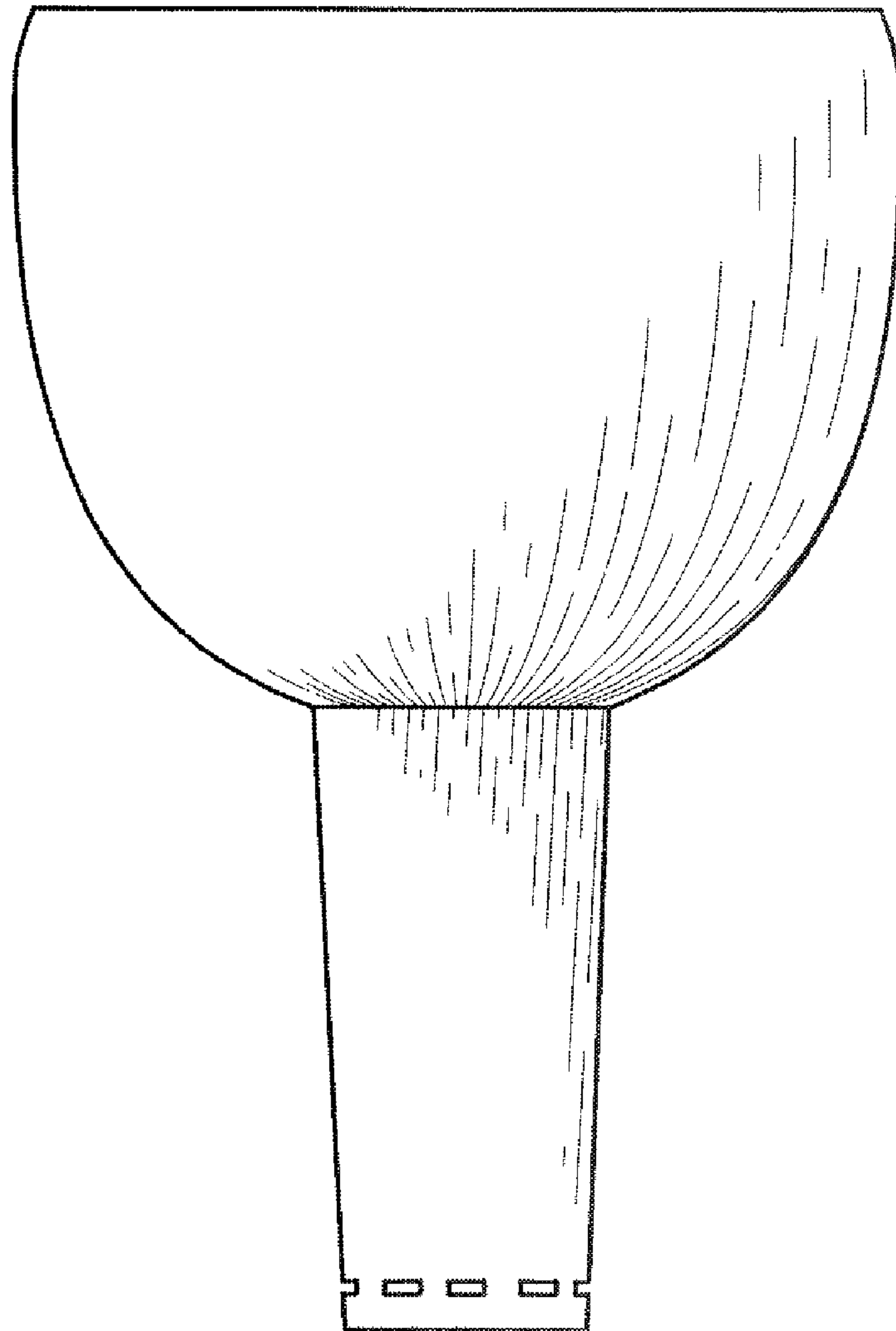


FIG. 4

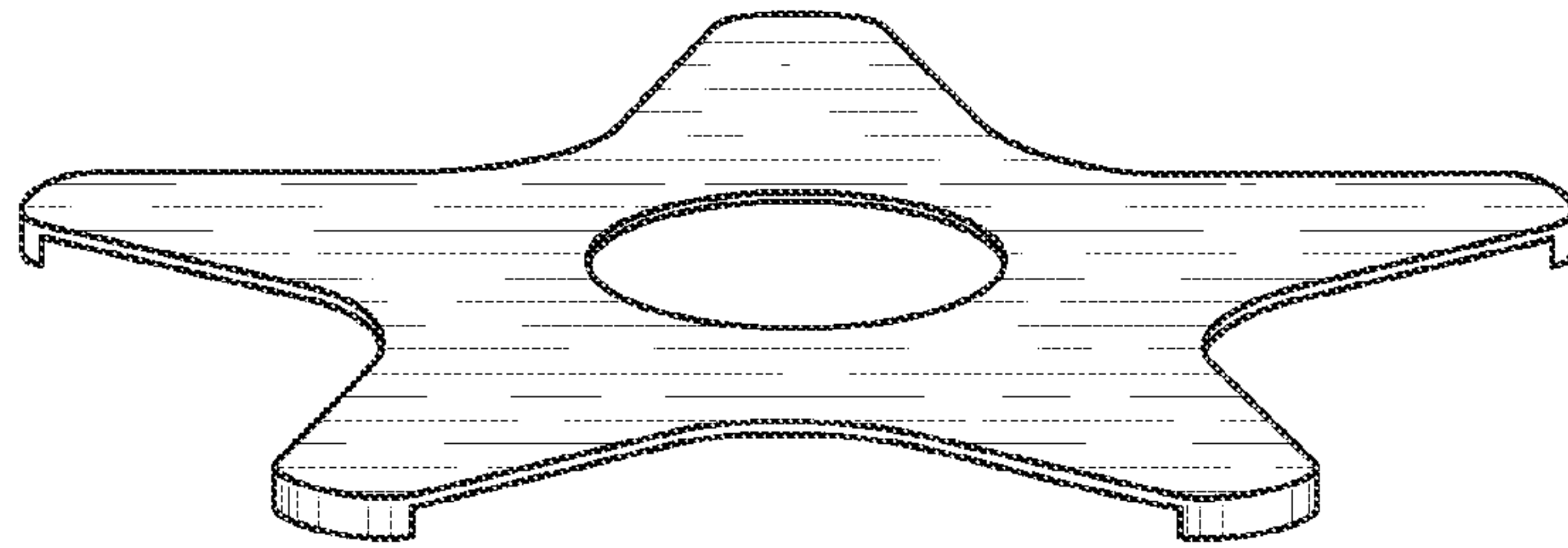


FIG. 5

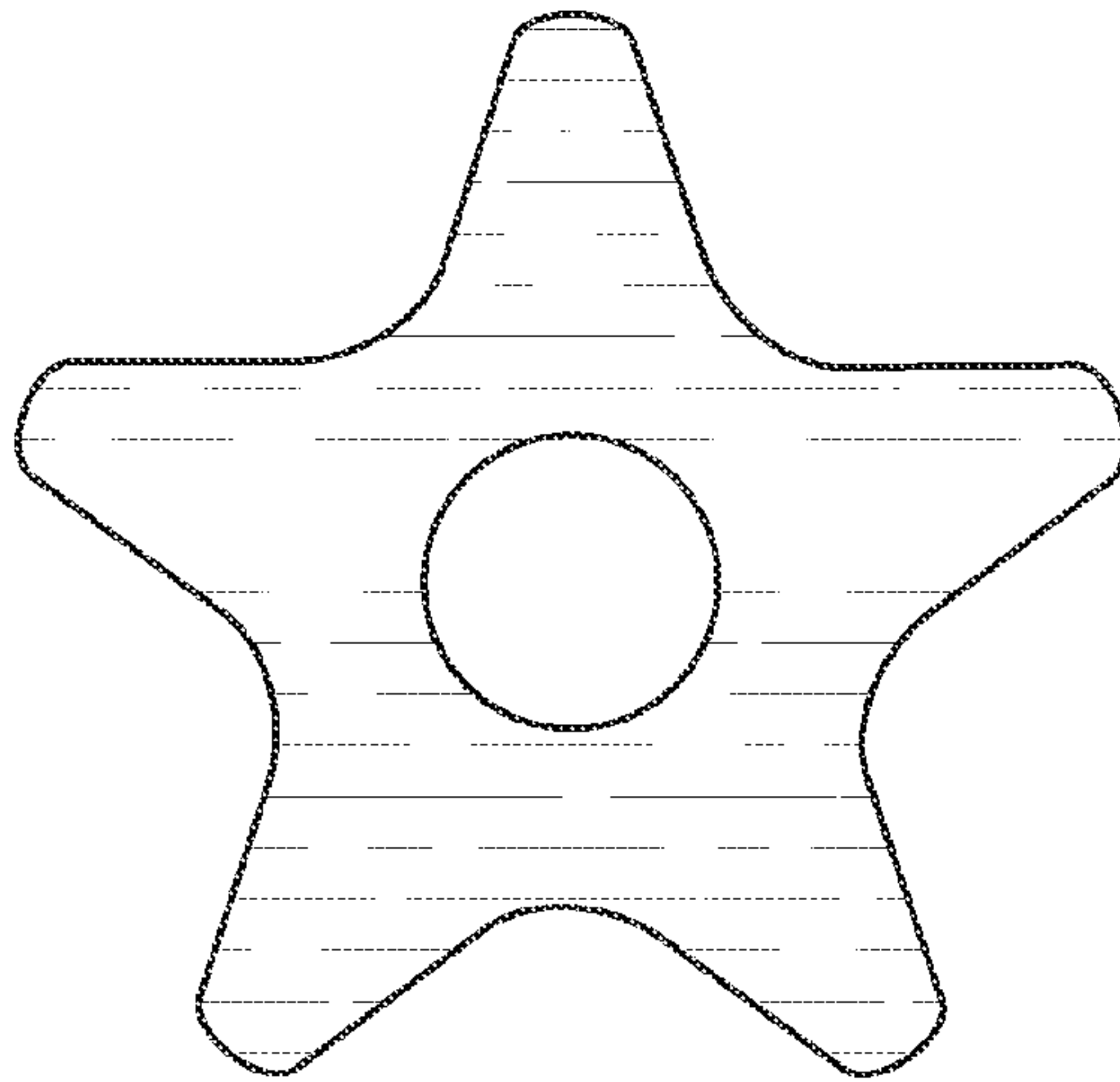


FIG. 6

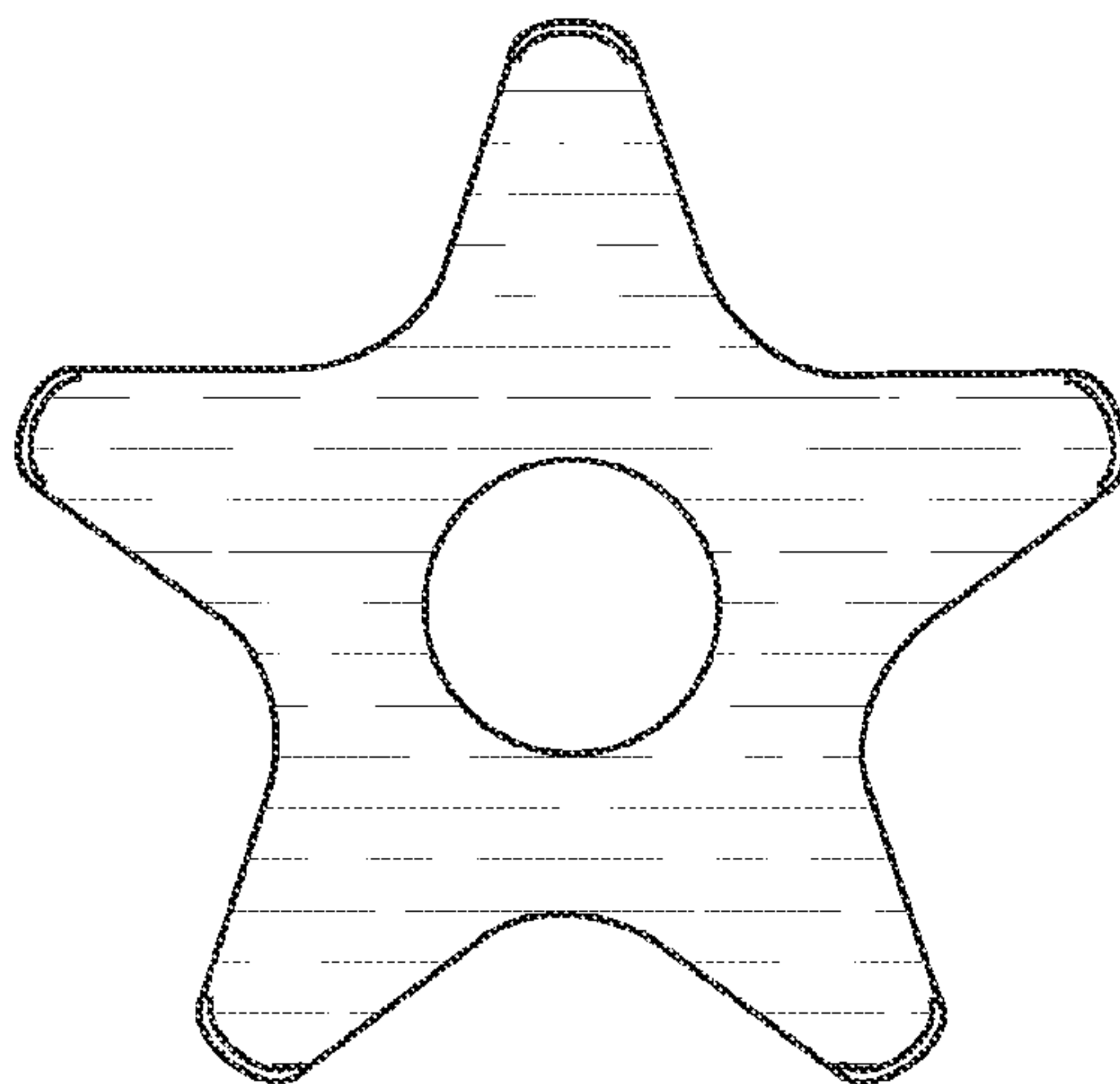


FIG. 7

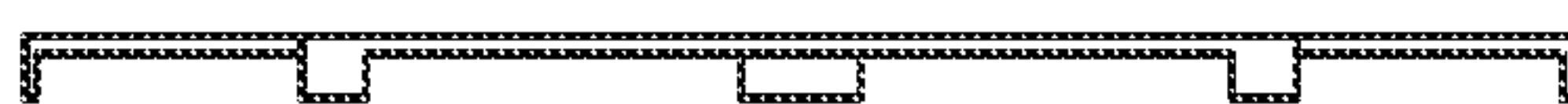


FIG. 8

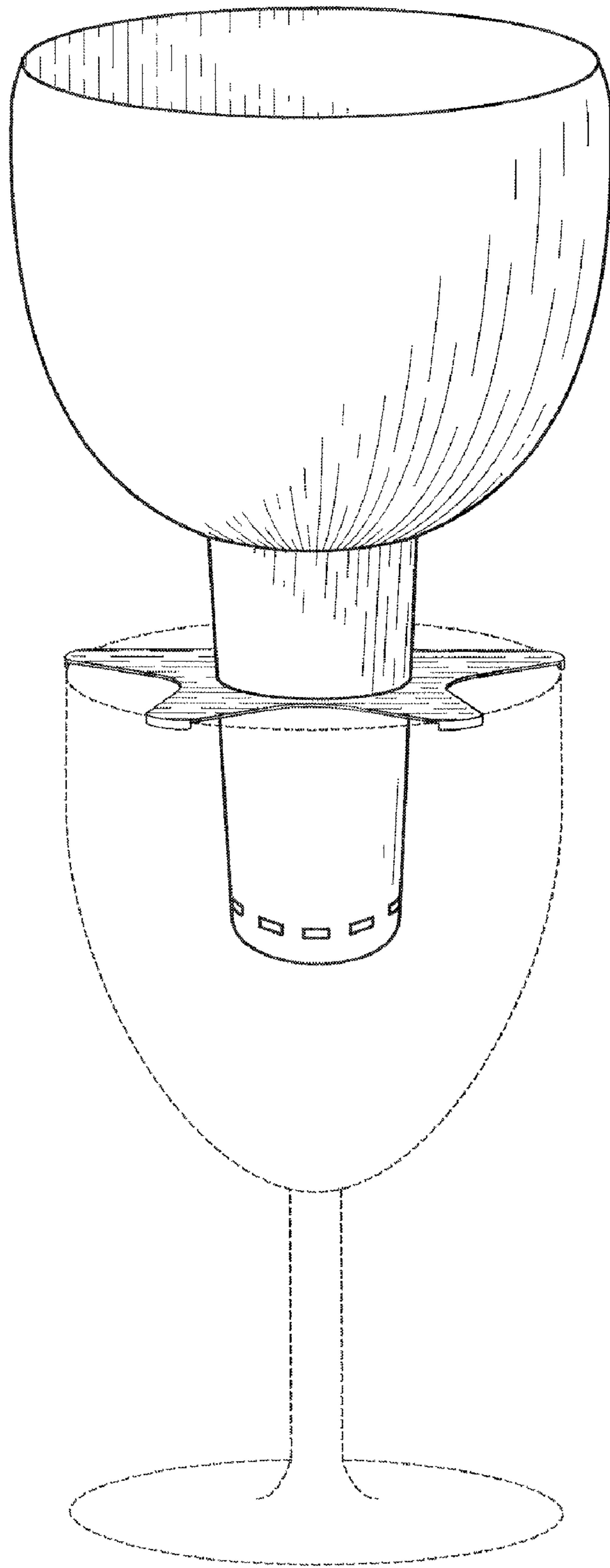


FIG. 9

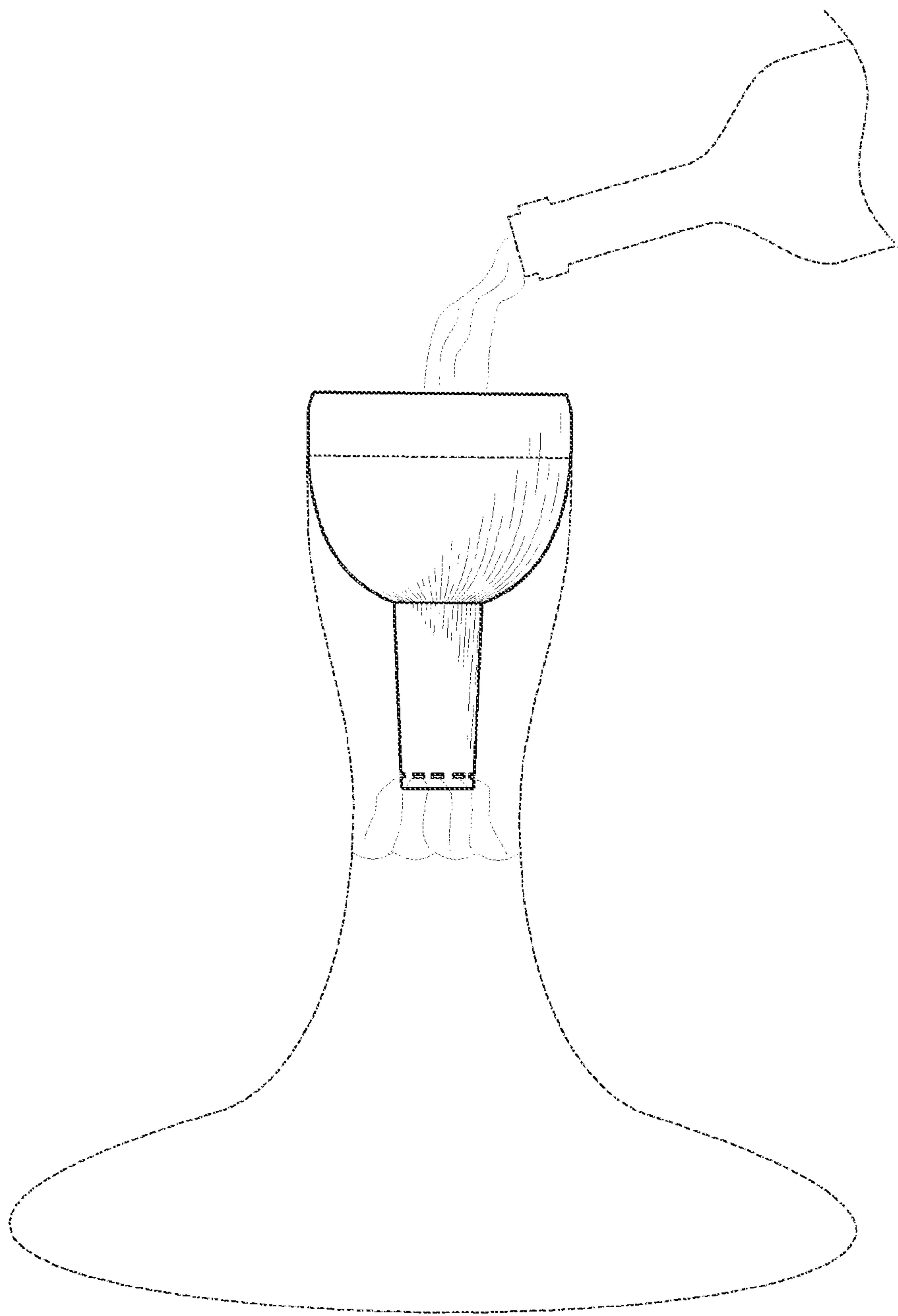


FIG. 10