



US00D619426S

(12) **United States Design Patent**
Bodum

(10) **Patent No.:** **US D619,426 S**
(45) **Date of Patent:** **** Jul. 13, 2010**

(54) **CHEESE DISH WITH CHEESE SLICER**

D529,345 S * 10/2006 Kim D7/629
D557,601 S * 12/2007 Minidis D9/425

(75) Inventor: **Jørgen Bodum**, Meggen (CH)

* cited by examiner

(73) Assignee: **Pi-Design AG**, Triengen (CH)

Primary Examiner—Terry A Wallace

(**) Term: **14 Years**

(74) *Attorney, Agent, or Firm*—Cowan, Liebowitz & Latman, PC

(21) Appl. No.: **29/352,113**

(57) **CLAIM**

(22) Filed: **Dec. 16, 2009**

The ornamental design for a cheese dish with cheese slicer, as shown and described.

(30) **Foreign Application Priority Data**

Jul. 2, 2009 (DK) DA 2009 00102

DESCRIPTION

(51) **LOC (9) Cl.** **07-07**

FIG. 1 is a perspective view of the cheese dish with cheese slicer showing my design thereof;

(52) **U.S. Cl.** **D7/629**

FIG. 2 is a front view thereof;

(58) **Field of Classification Search** D7/601,

FIG. 3 is a back view thereof;

D7/602, 612–615, 629, 538–549; D9/414,
D9/418, 424, 425, 430–432; 220/780–806;
206/216, 557

FIG. 4 is a right side view thereof;

See application file for complete search history.

FIG. 5 is a left side view thereof;

(56) **References Cited**

FIG. 6 is a top view thereof;

U.S. PATENT DOCUMENTS

FIG. 7 is a bottom view thereof; and,

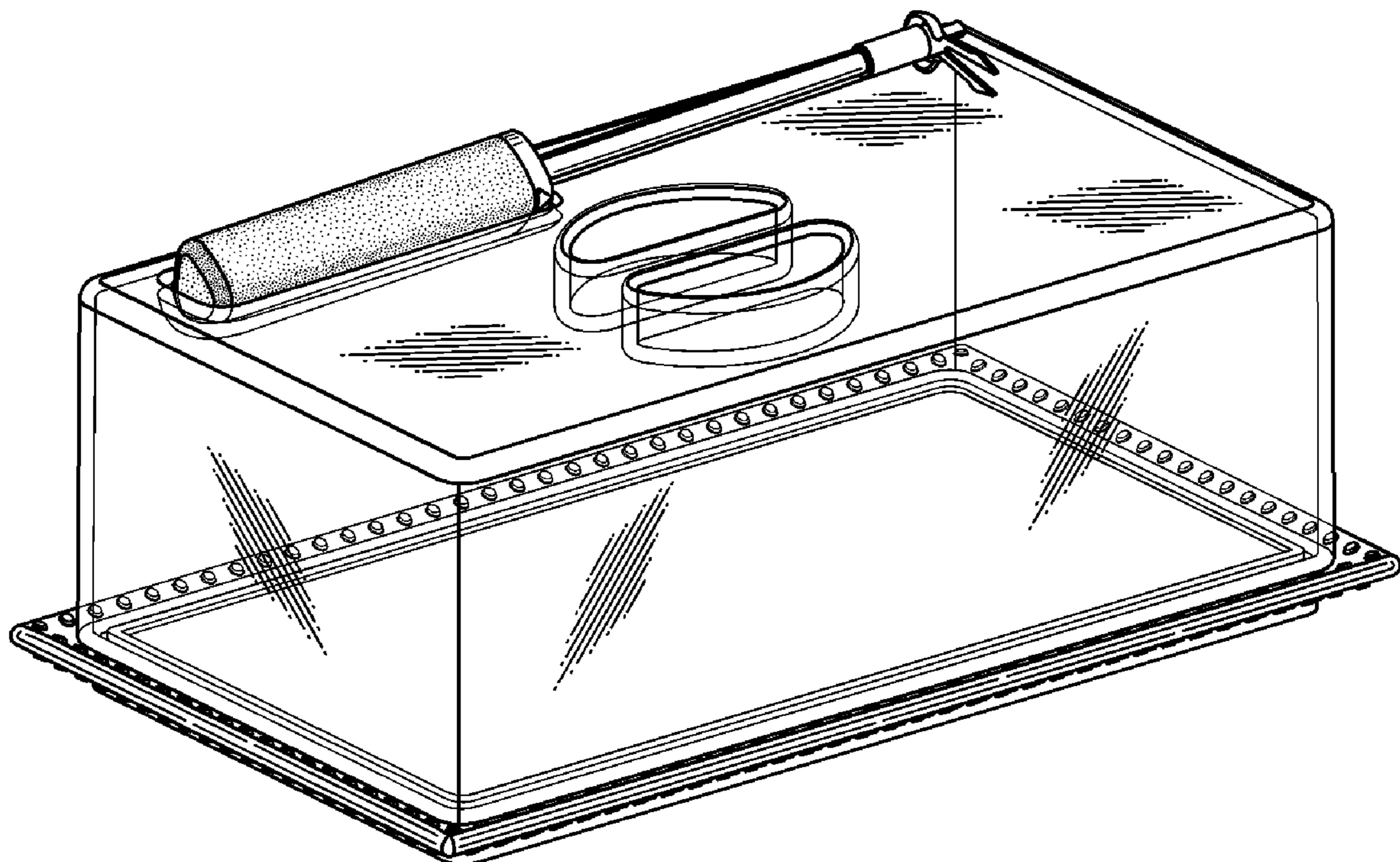
D311,302 S * 10/1990 Pozzi D7/629

FIG. 8 is a sectional view thereof taken along line 8—8 of FIG. 6.

D372,641 S * 8/1996 Betend-Bon D7/629

D484,007 S * 12/2003 Levien D7/629

1 Claim, 8 Drawing Sheets



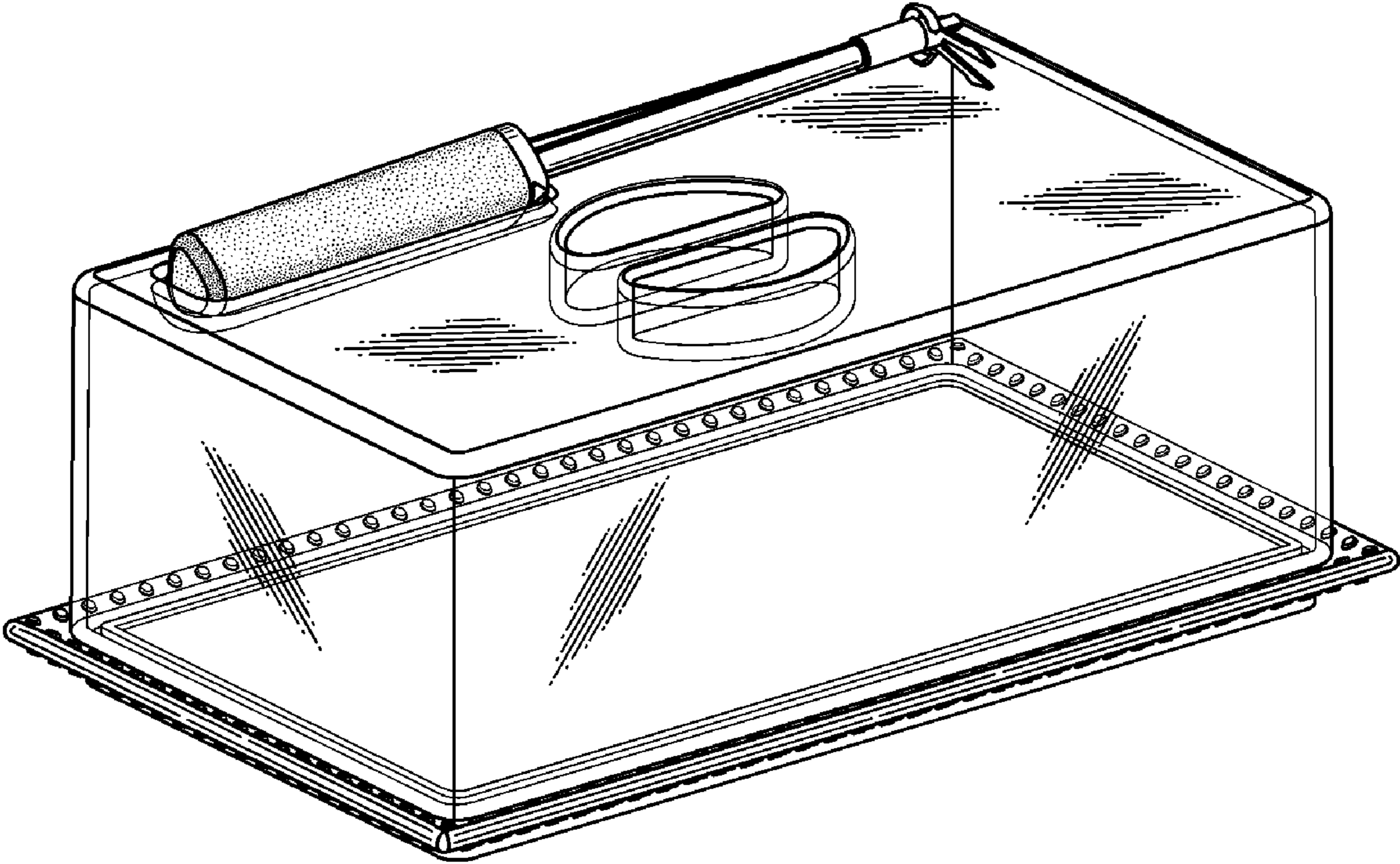


FIG. 1

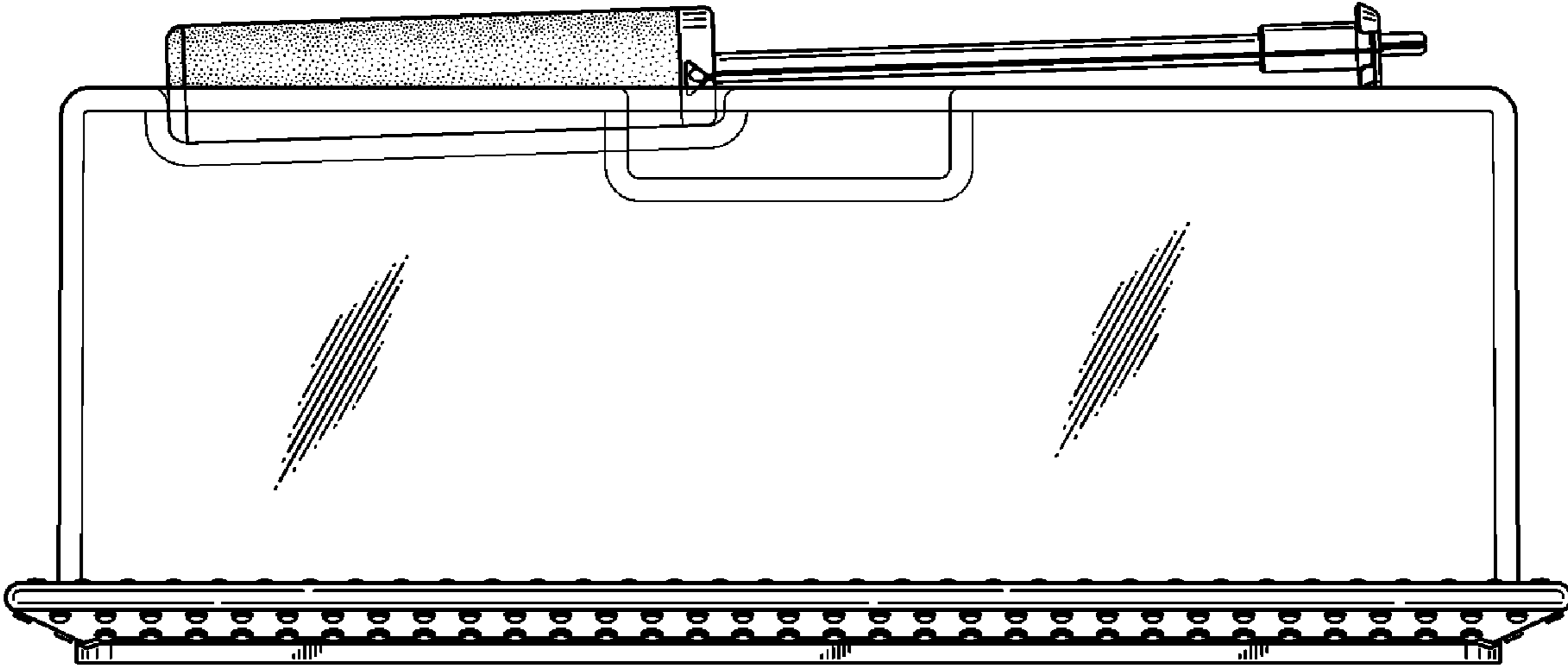


FIG. 2

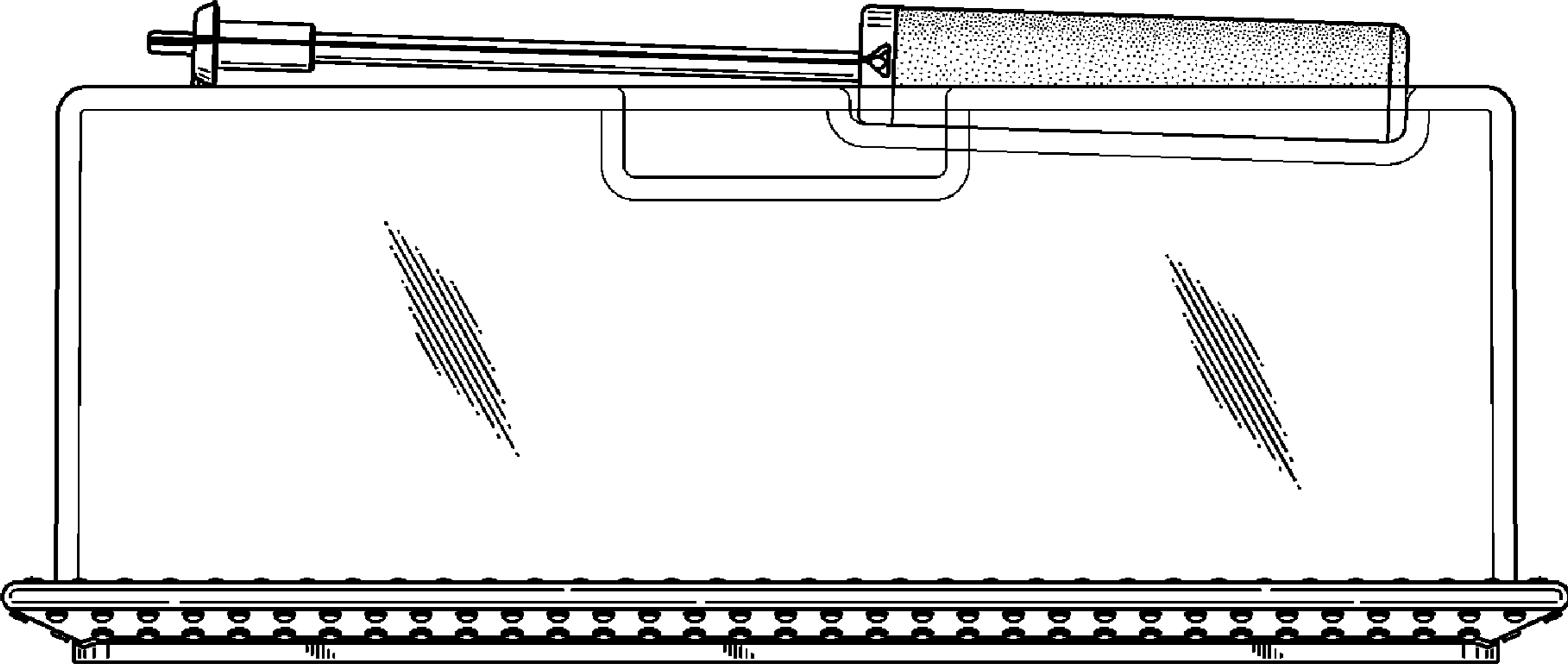


FIG. 3

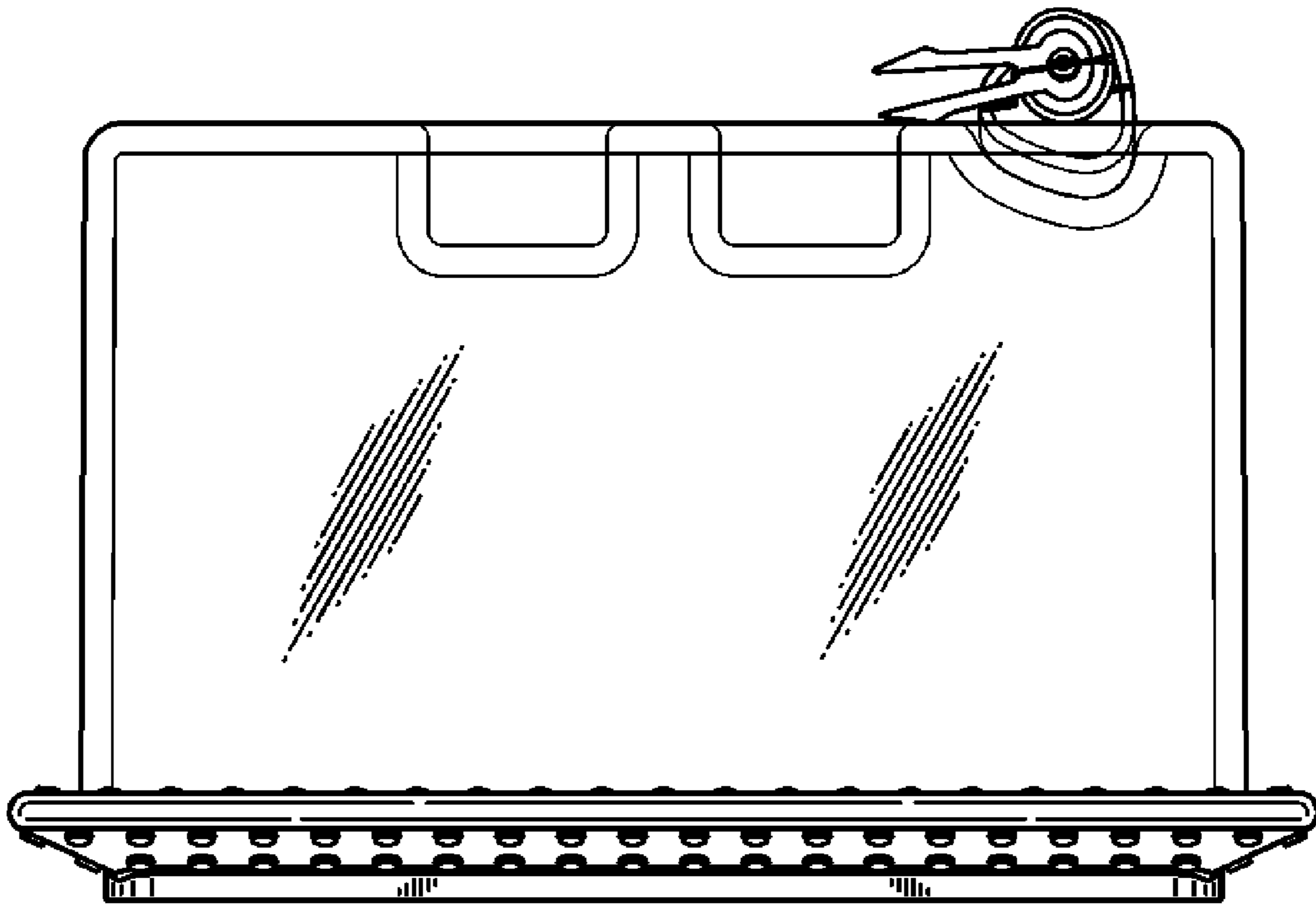


FIG. 4

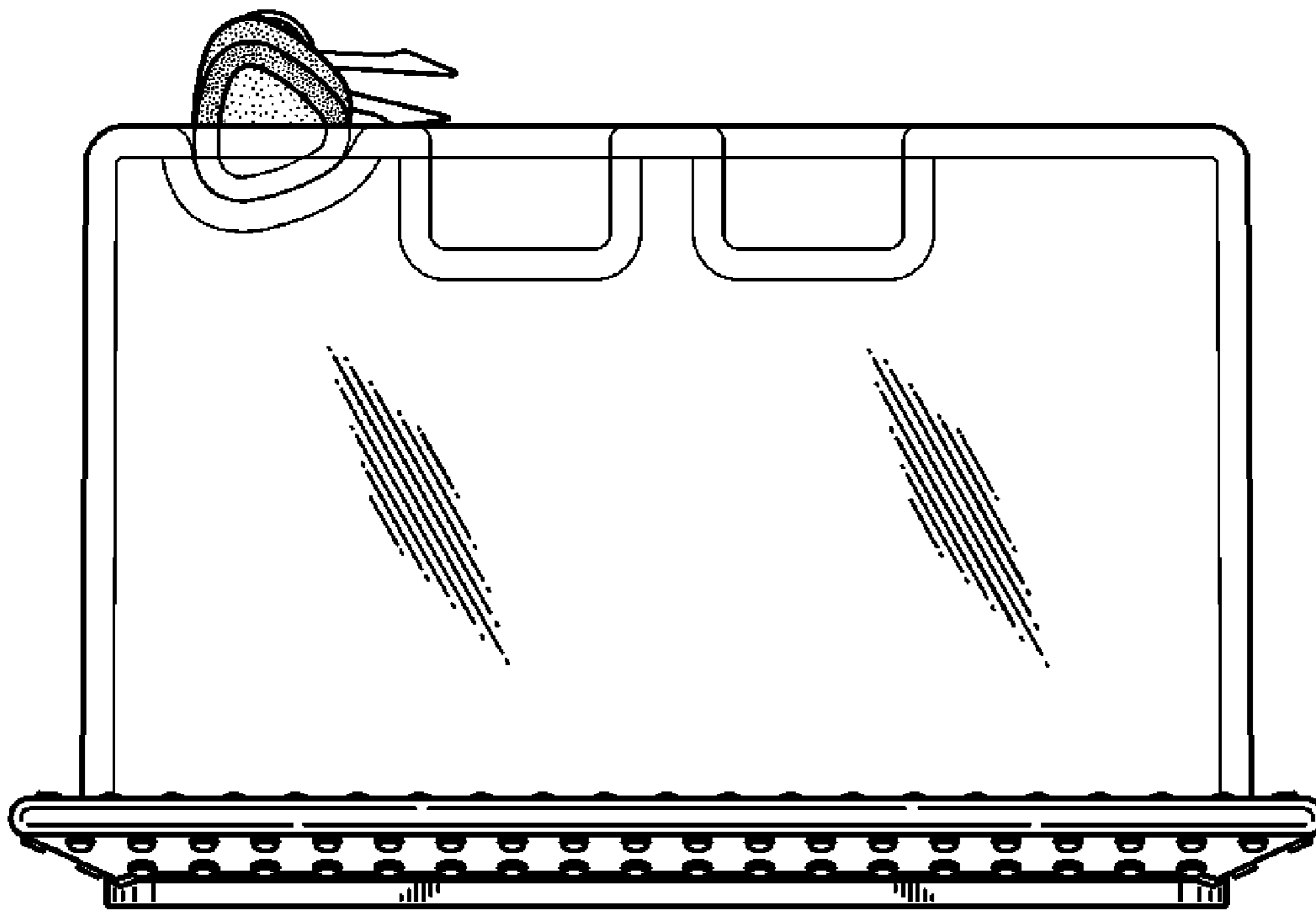


FIG. 5

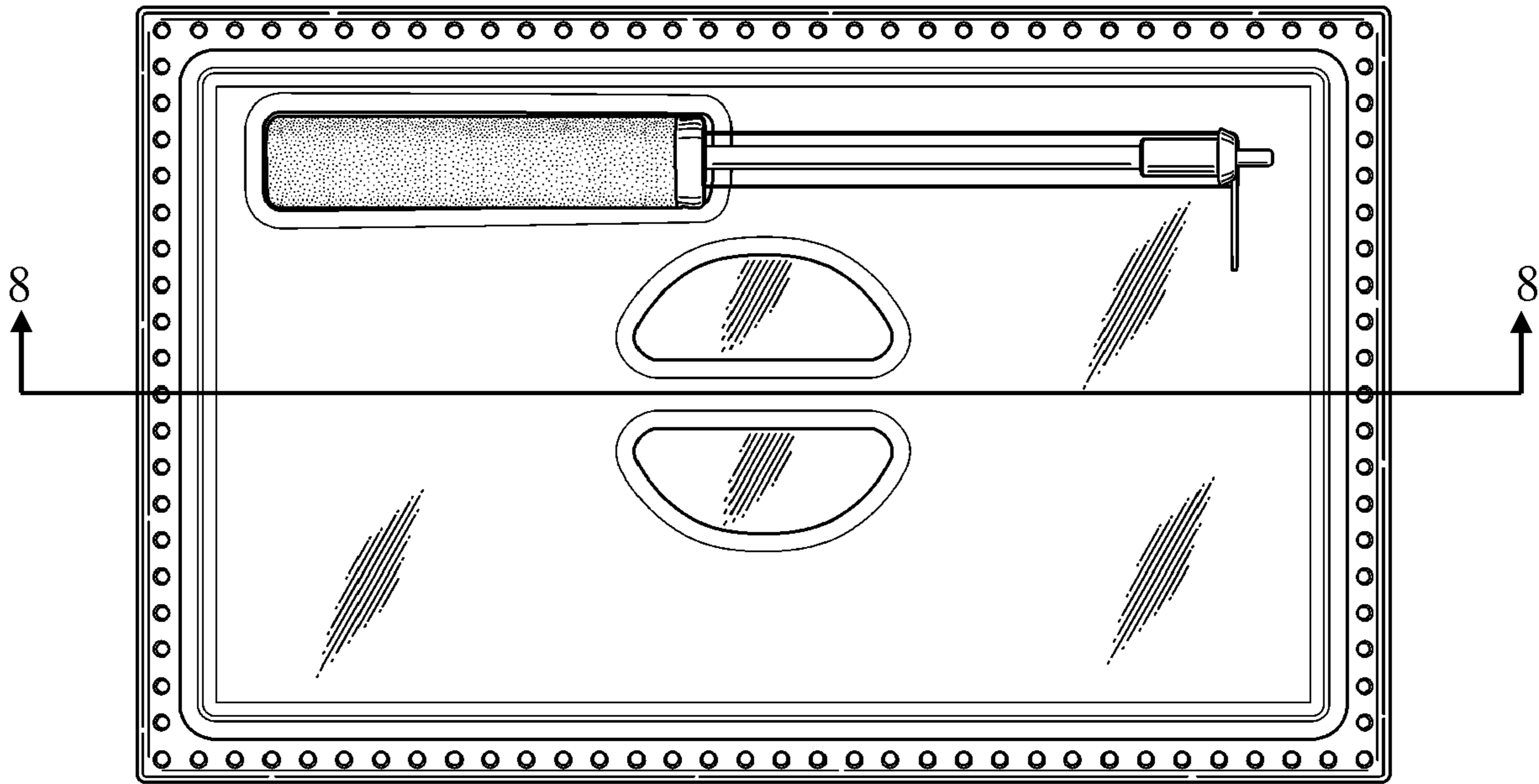


FIG. 6

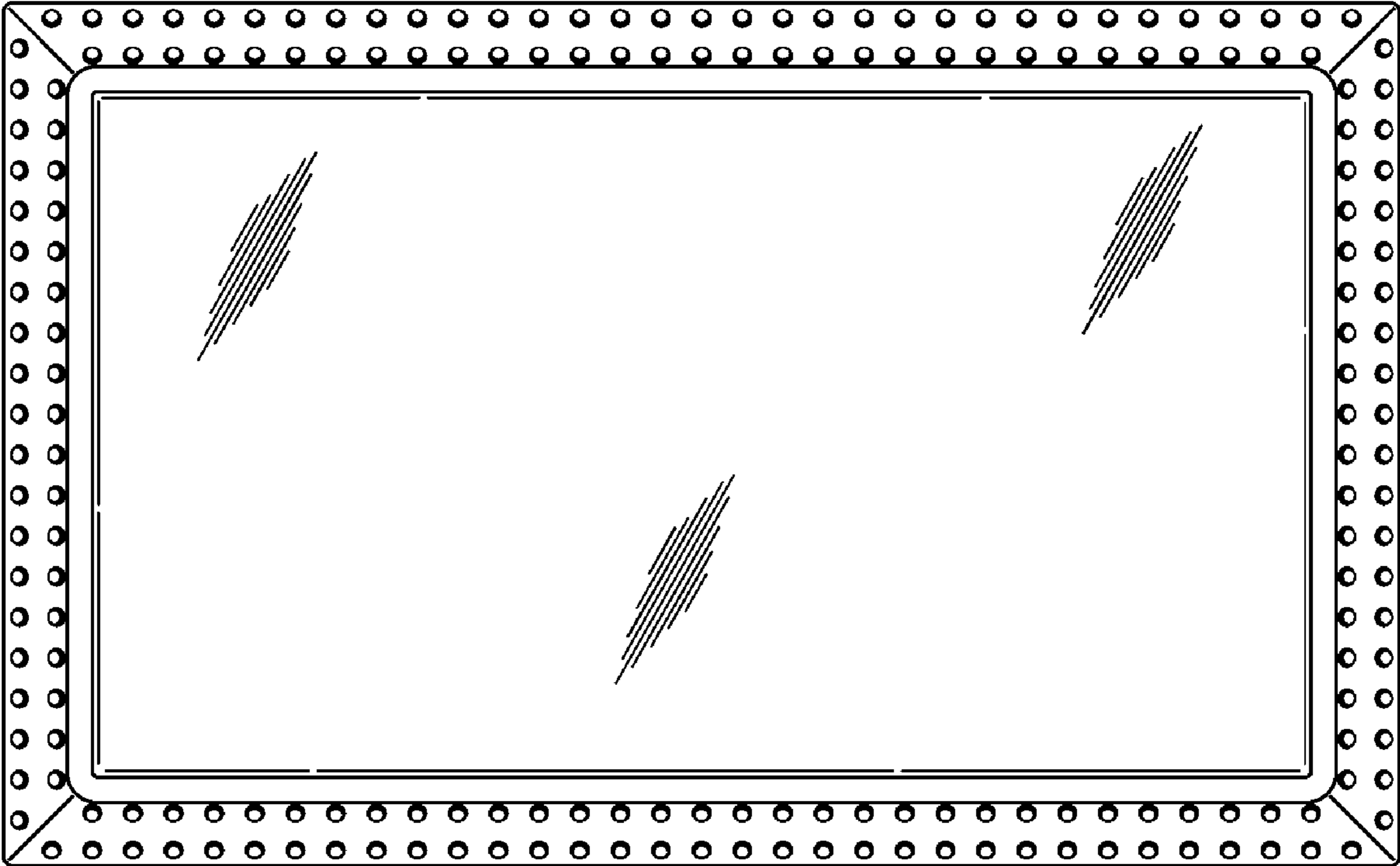


FIG. 7

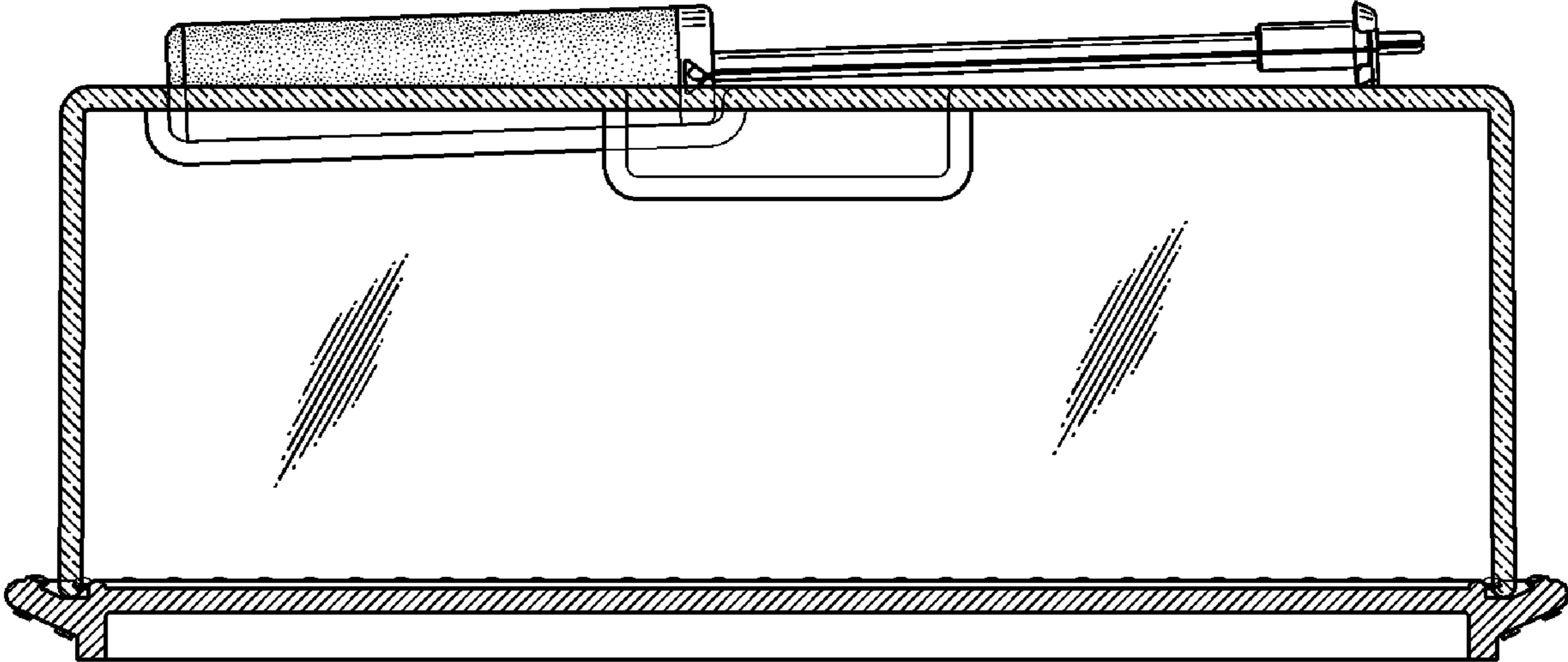


FIG. 8