



US00D619423S

(12) **United States Design Patent**
Koehler et al.

(10) **Patent No.:** **US D619,423 S**
(45) **Date of Patent:** **** Jul. 13, 2010**

(54) **SOFT-SIDED INSULATED CONTAINER**

(75) Inventors: **Sarah Koehler**, Wichita, KS (US);
Shawn Whetstone, New Albany, OH (US)

(73) Assignee: **The Coleman Company, Inc.**, Wichita, KS (US)

(**) Term: **14 Years**

(21) Appl. No.: **29/345,419**

(22) Filed: **Oct. 15, 2009**

(51) **LOC (9) Cl.** **07-01**

(52) **U.S. Cl.** **D7/607; D7/710**

(58) **Field of Classification Search** D7/603–608,
D7/709, 710; D3/201, 202, 229, 232, 233,
D3/276, 272, 273, 283–287, 289; 62/457.1–457.9,
62/371, 372; 383/110, 113, 93, 109; 150/100,
150/103–105, 107, 110, 114, 118, 119; 190/100,
190/103–106, 109, 115; 220/592.01, 915.1,
220/915.2

See application file for complete search history.

(56) **References Cited**

U.S. PATENT DOCUMENTS

4,648,512 A 3/1987 Tarozzi et al.
4,805,776 A * 2/1989 Namgyal et al. 206/523
D328,550 S * 8/1992 Mogil et al. D7/605
D340,387 S * 10/1993 Melk D7/607
D340,621 S * 10/1993 Melk D7/607

D340,840 S * 11/1993 Melk D7/607
5,472,279 A * 12/1995 Lin 383/2
D371,942 S * 7/1996 Lippincott et al. D7/607
D387,249 S * 12/1997 Mogil D7/607
D397,914 S * 9/1998 Cooper, Jr. D7/607
D430,993 S * 9/2000 Nottingham et al. D7/607
D464,235 S * 10/2002 Jeong D7/607
D574,667 S 8/2008 Grabijas, III et al.
2005/0263528 A1 12/2005 Maldonado et al.

* cited by examiner

Primary Examiner—Terry A Wallace

(74) *Attorney, Agent, or Firm*—Kelly S. Elsea

(57) **CLAIM**

The ornamental design for a soft-sided insulated container, as shown and described.

DESCRIPTION

FIG. 1 is a front side perspective view of our soft-sided insulated container;

FIG. 2 is a rear elevation view thereof;

FIG. 3 is a front elevation view thereof;

FIG. 4 is a left side elevation view thereof;

FIG. 5 is a right side elevation view thereof;

FIG. 6 is a top plan view thereof; and,

FIG. 7 is a bottom plan view thereof.

The broken lines represent portions of the design that form no part of the claim.

1 Claim, 4 Drawing Sheets

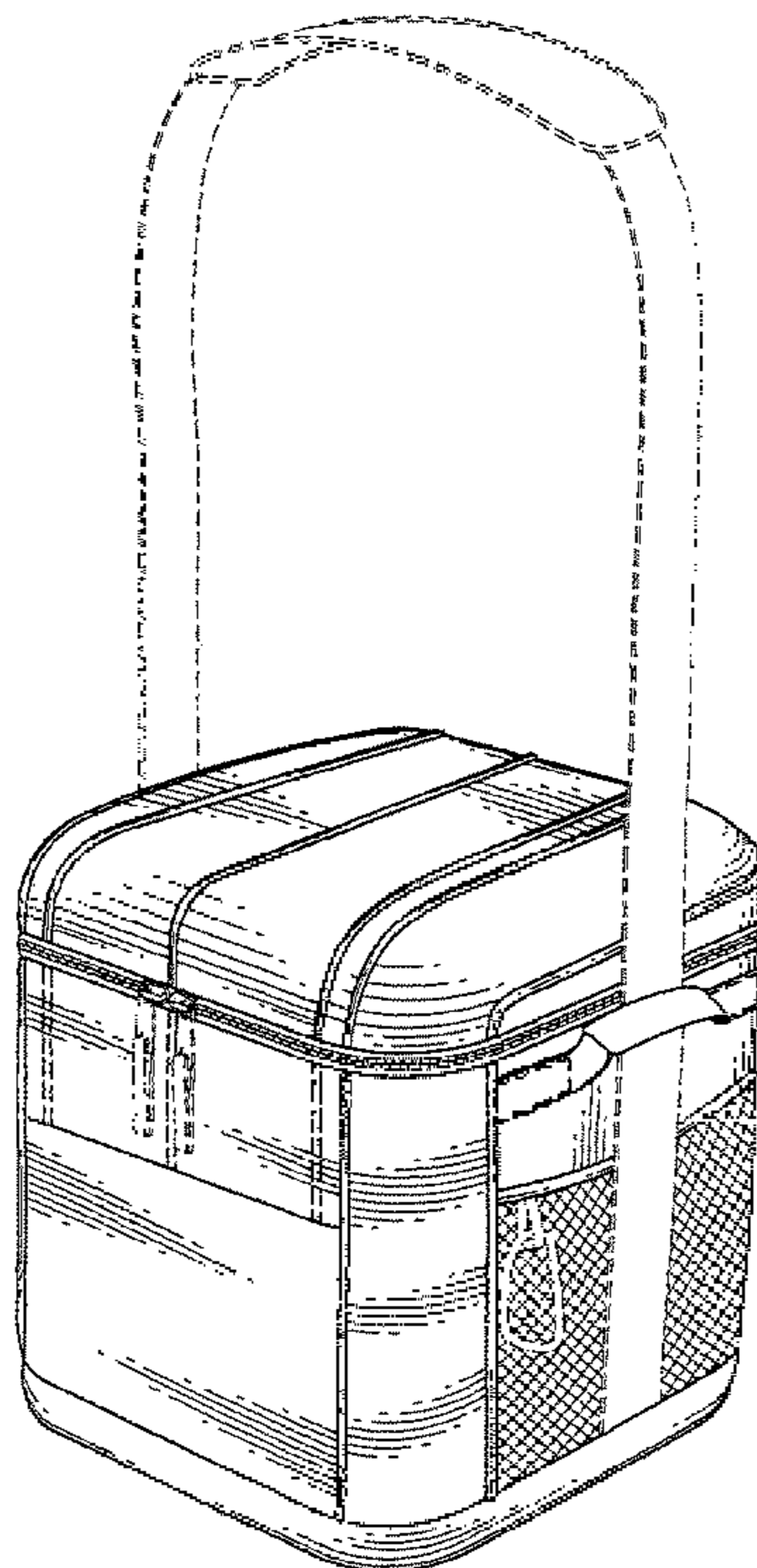


FIG. 1

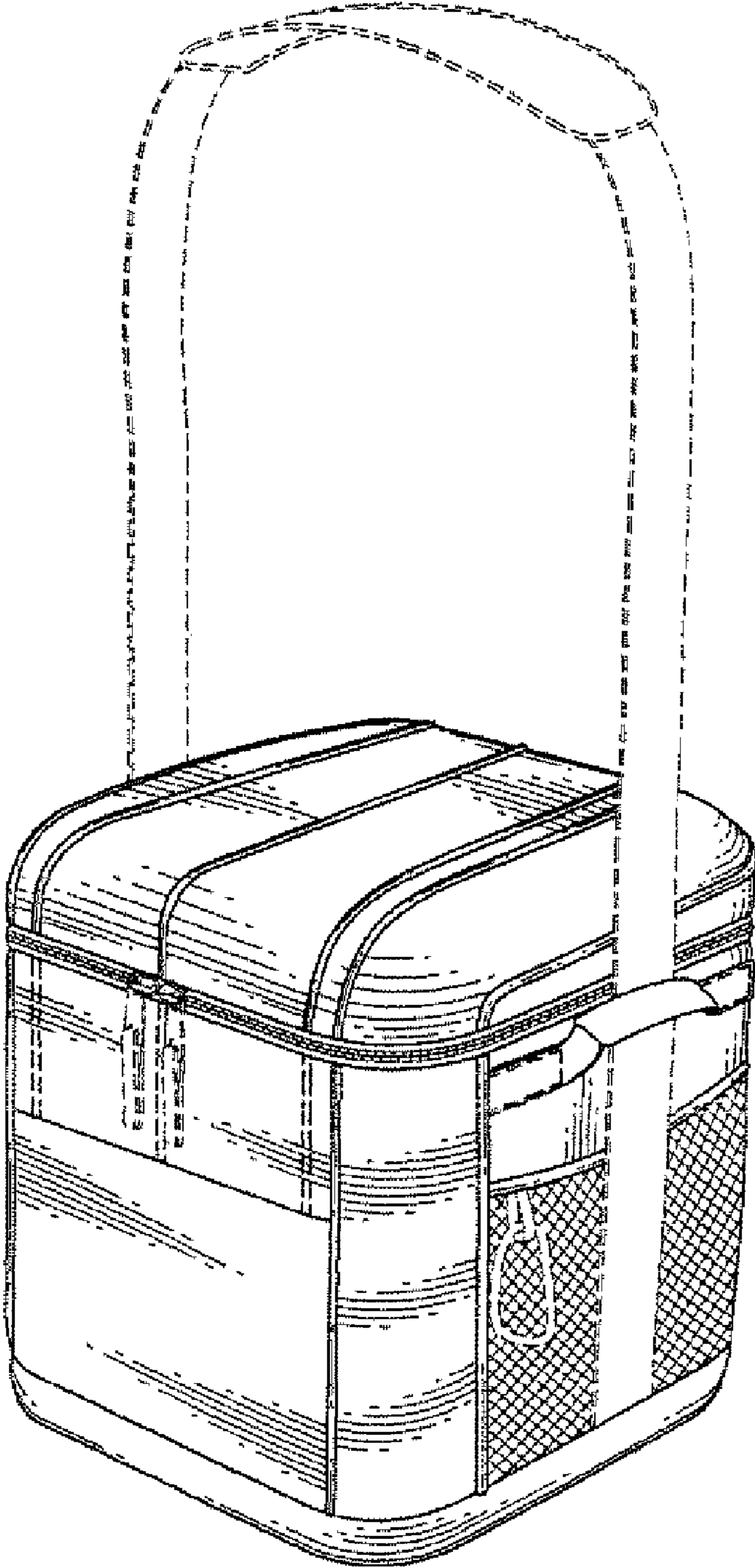


FIG. 3

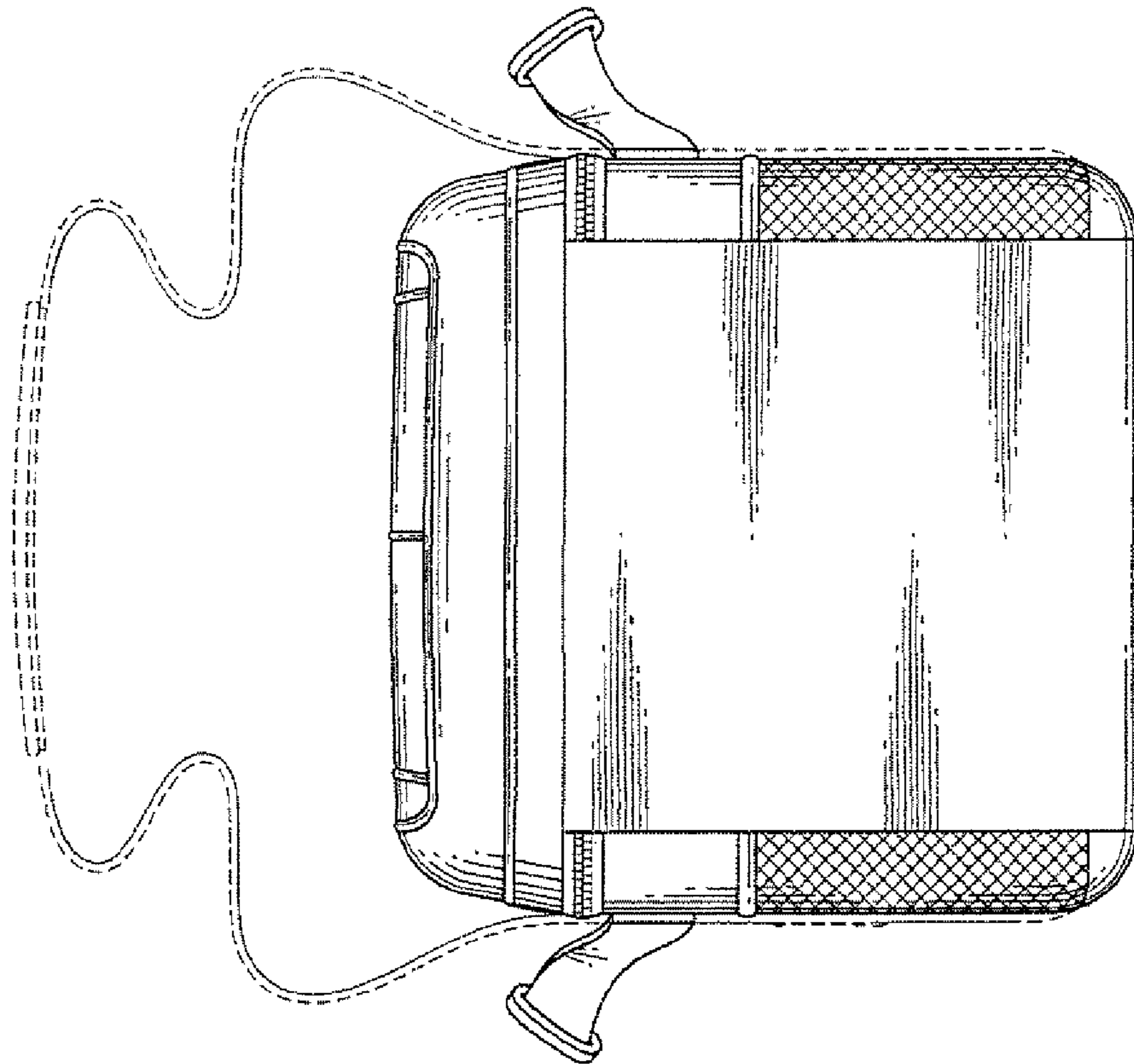
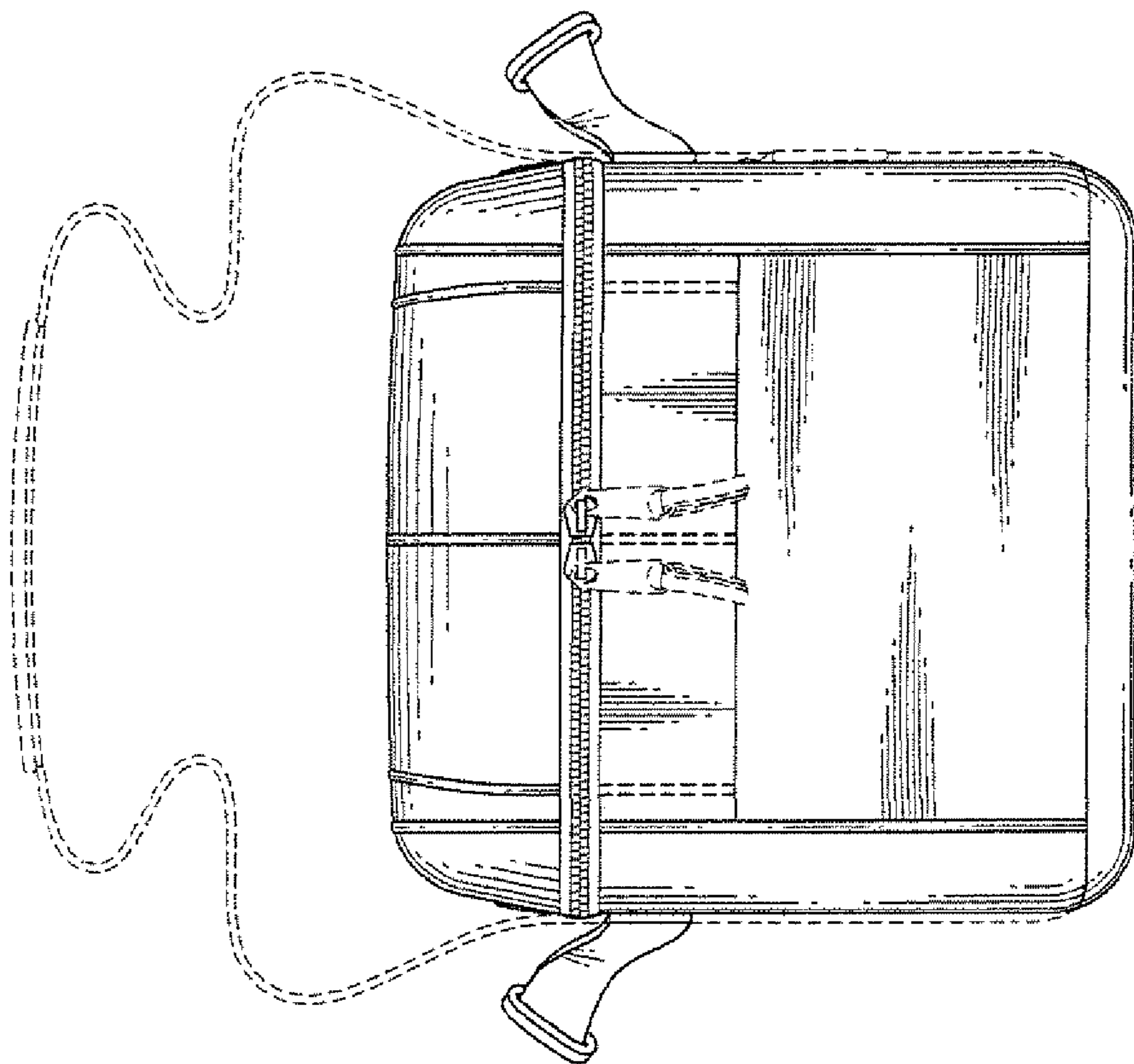


FIG. 2



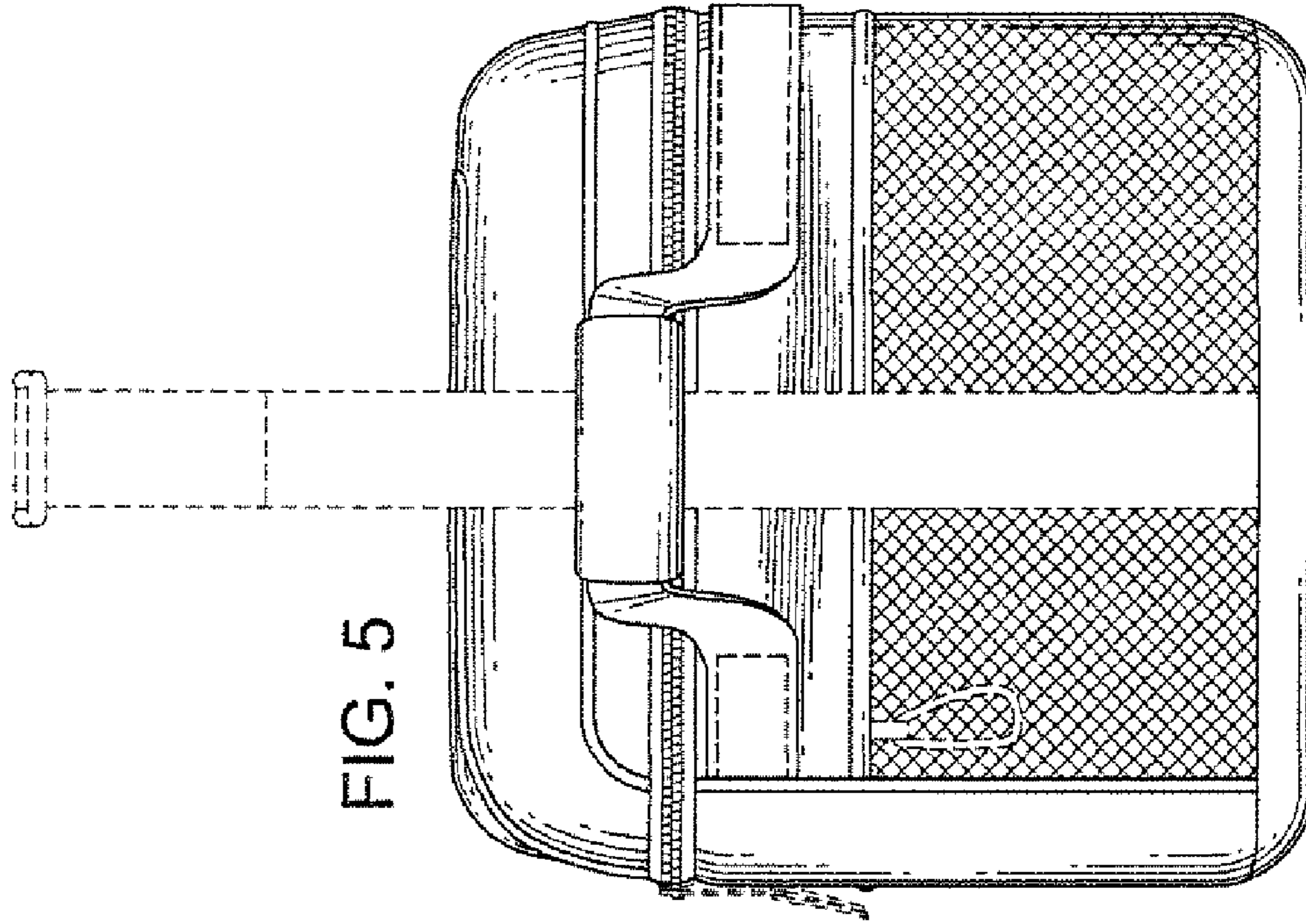


FIG. 5

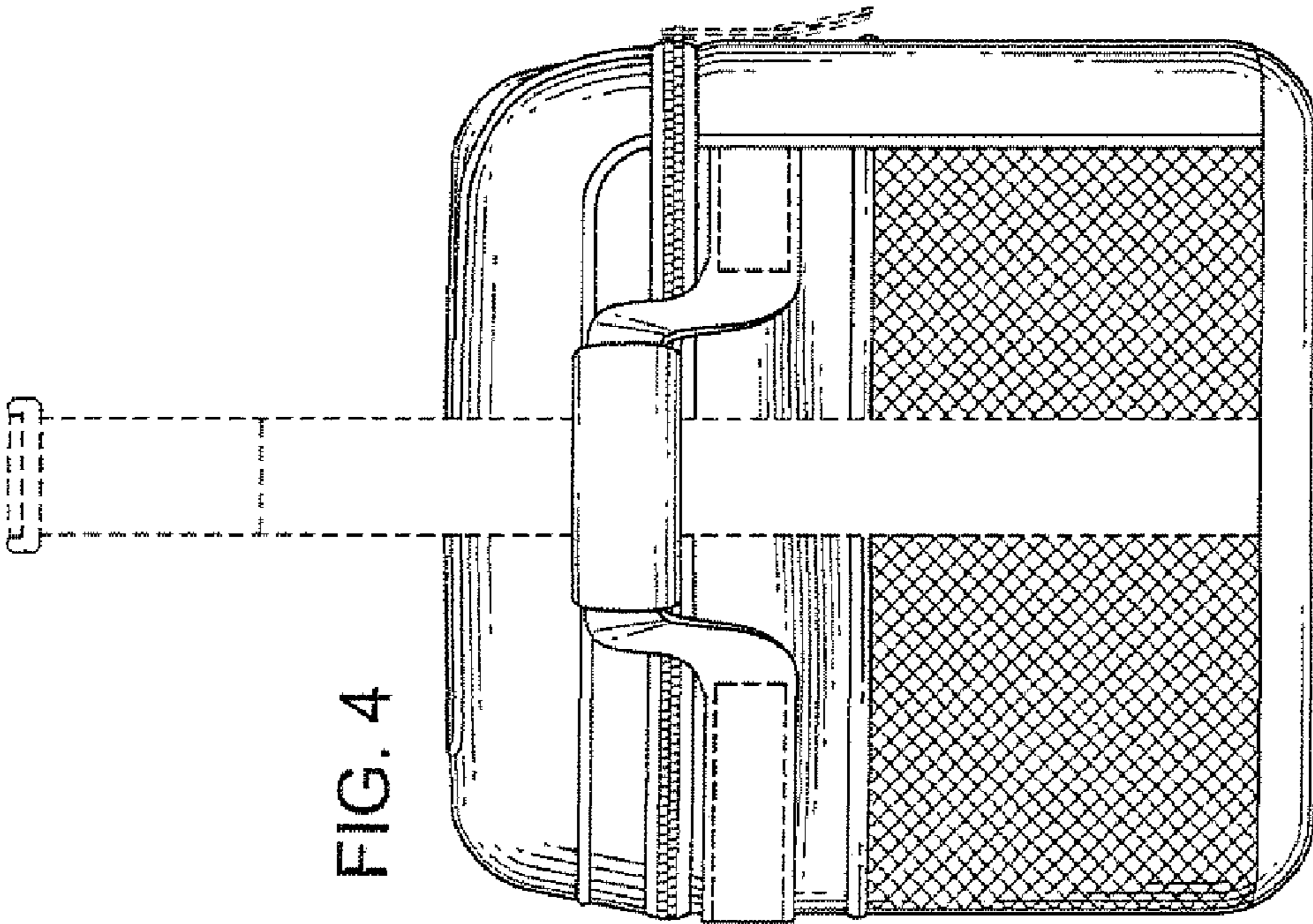


FIG. 4

FIG. 6

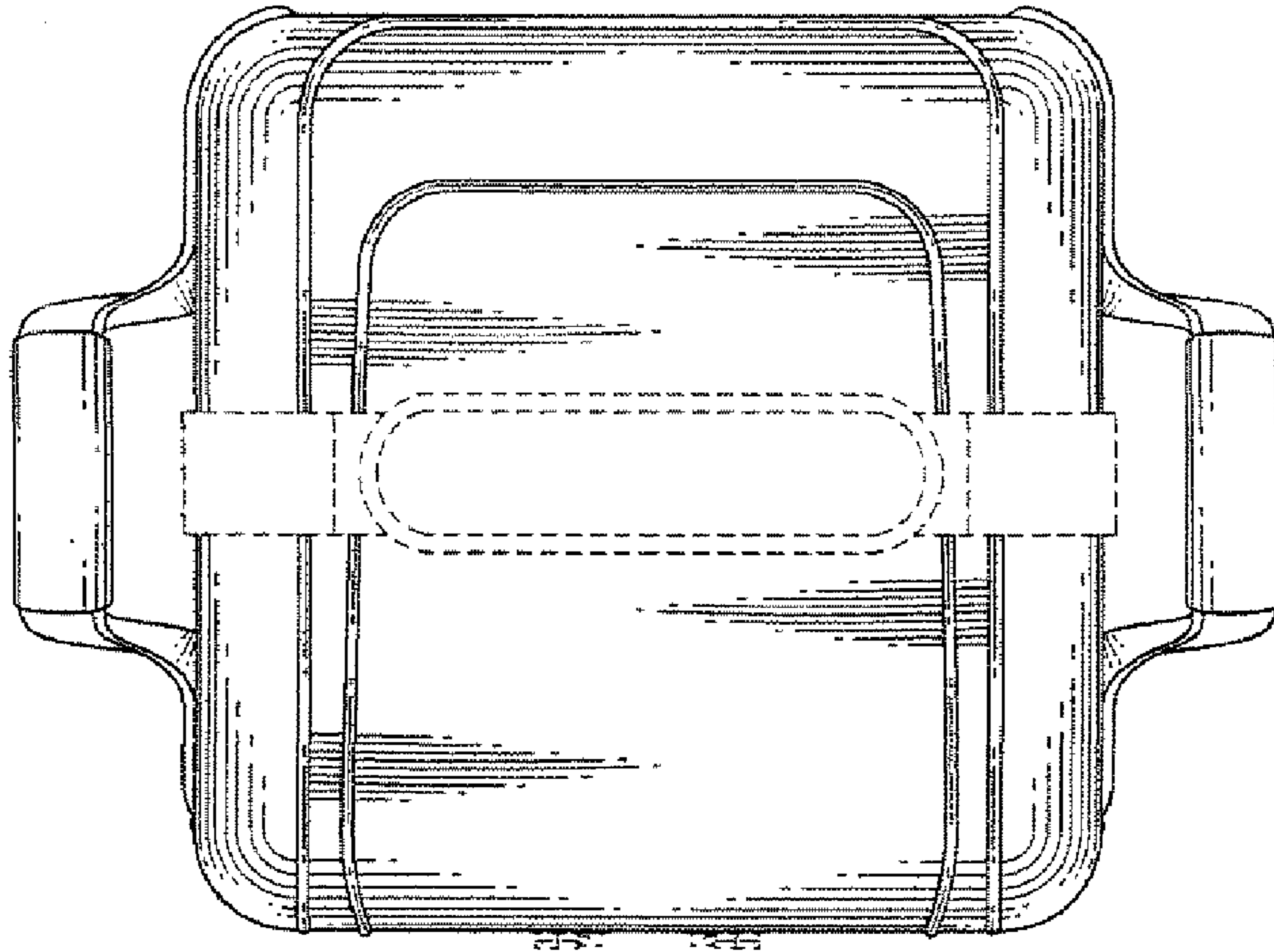


FIG. 7

