



US00D619411S

(12) **United States Design Patent**
Hill

(10) **Patent No.:** **US D619,411 S**

(45) **Date of Patent:** **** Jul. 13, 2010**

(54) **COOKING APPARATUS**

(75) Inventor: **Gavin Hill**, Epping (AU)

(73) Assignee: **Garth Living Pty Ltd**, Epping, Victoria (AU)

(**) Term: **14 Years**

(21) Appl. No.: **29/342,856**

(22) Filed: **Sep. 2, 2009**

(30) **Foreign Application Priority Data**

Mar. 3, 2009 (AU) 10687/2009

(51) **LOC (9) Cl.** **07-02**

(52) **U.S. Cl.** **D7/334**

(58) **Field of Classification Search** D7/332,
D7/334-337, 402-404, 406-407; 126/37 R,
126/25 R, 41 R, 41 C, 41 D, 41 E, 9 R, 44,
126/50, 39 E, 91 A; 99/339, 340, 450, 444;
431/354

See application file for complete search history.

(56) **References Cited**

U.S. PATENT DOCUMENTS

D361,693 S *	8/1995	Burke	D7/337
D449,491 S *	10/2001	Measom	D7/334
D450,524 S *	11/2001	Measom	D7/332
D473,095 S *	4/2003	Nguyen	D7/334
D496,820 S *	10/2004	Wilder	D7/334
D570,151 S *	6/2008	Brunner	D7/334
D570,641 S *	6/2008	Brunner	D7/334

D588,394 S * 3/2009 Marijnissen D7/332
2010/0024798 A1 * 2/2010 Sampson 126/25 R

* cited by examiner

Primary Examiner—Ruth McInroy

(74) *Attorney, Agent, or Firm*—Richard M. Goldberg

(57) **CLAIM**

The ornamental design for cooking apparatus, as shown and described.

DESCRIPTION

FIG. 1 is a perspective view of a cooking apparatus showing my new design, with the top cover closed and the side shelves in a lowered position;

FIG. 2 is a front elevational view thereof;

FIG. 3 is a left side elevational view thereof;

FIG. 4 is a right side elevational view thereof;

FIG. 5 is a top plan view thereof;

FIG. 6 is a rear elevational view thereof;

FIG. 7 is a perspective view thereof, with the top cover open and the side shelves in a raised position;

FIG. 8 is a front elevational view of FIG. 7;

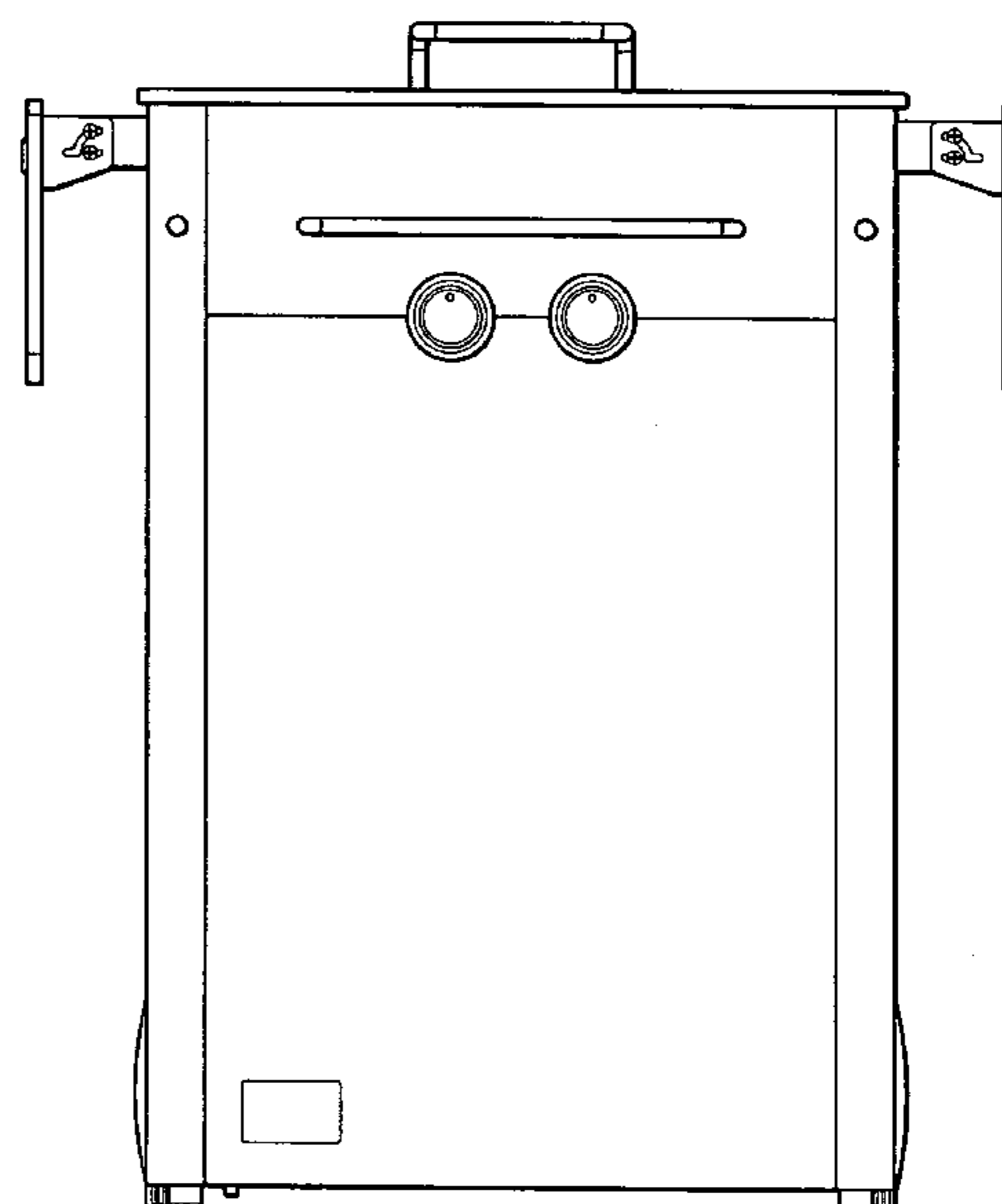
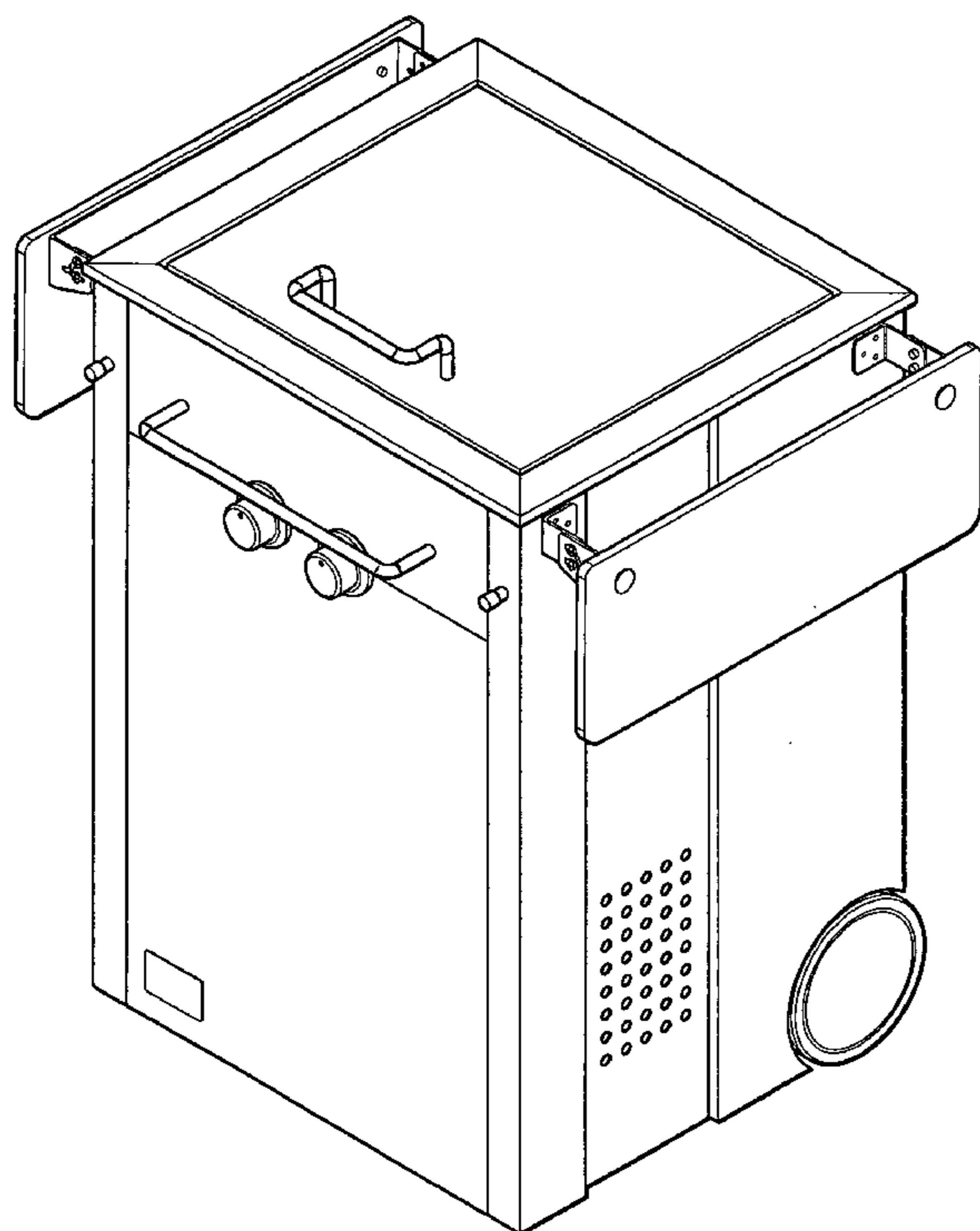
FIG. 9 is a left side elevational view of FIG. 7;

FIG. 10 is a right side elevational view of FIG. 7;

FIG. 11 is a top plan view of FIG. 7; and,

FIG. 12 is a rear elevational view of FIG. 7.

1 Claim, 12 Drawing Sheets



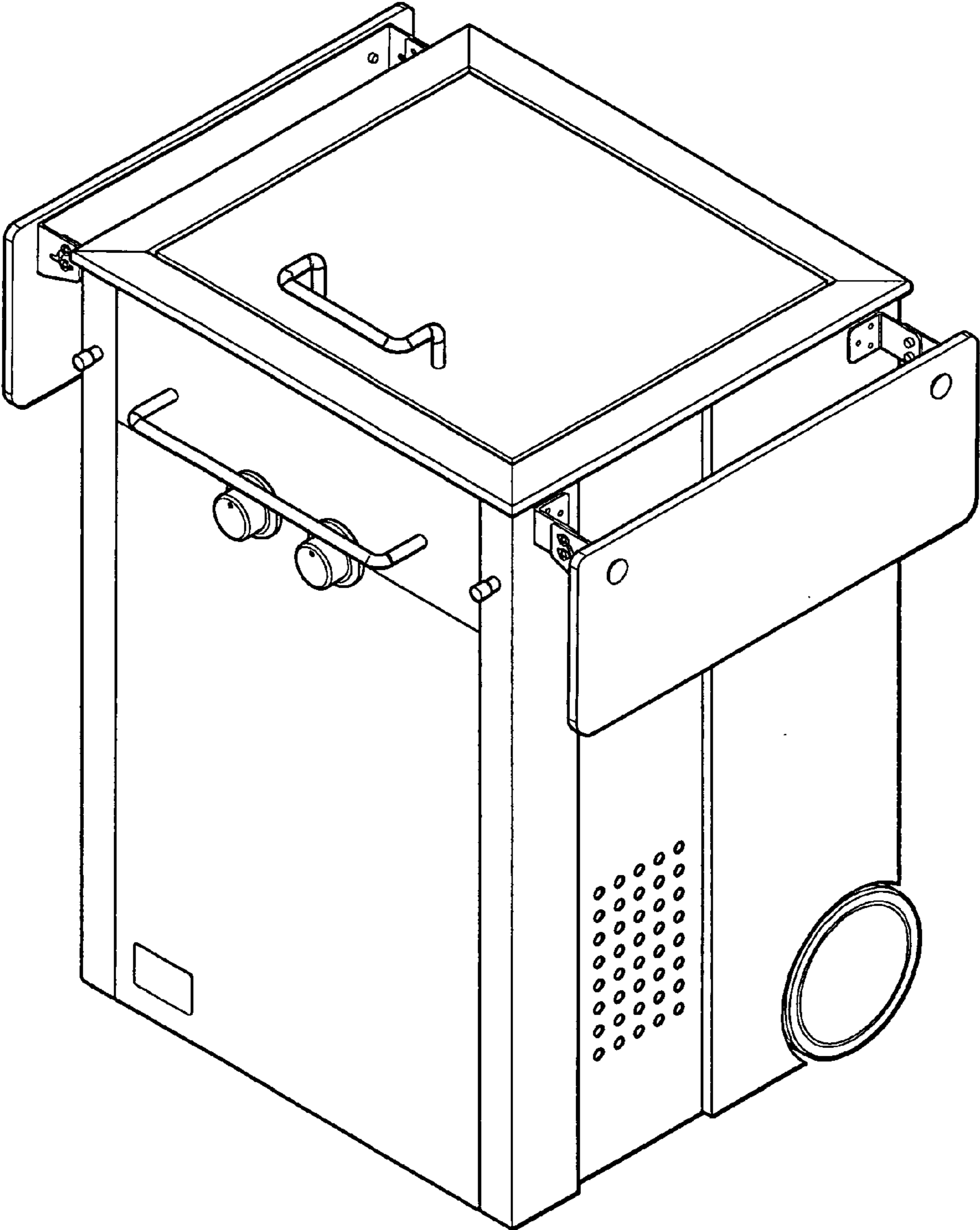


FIG. 1

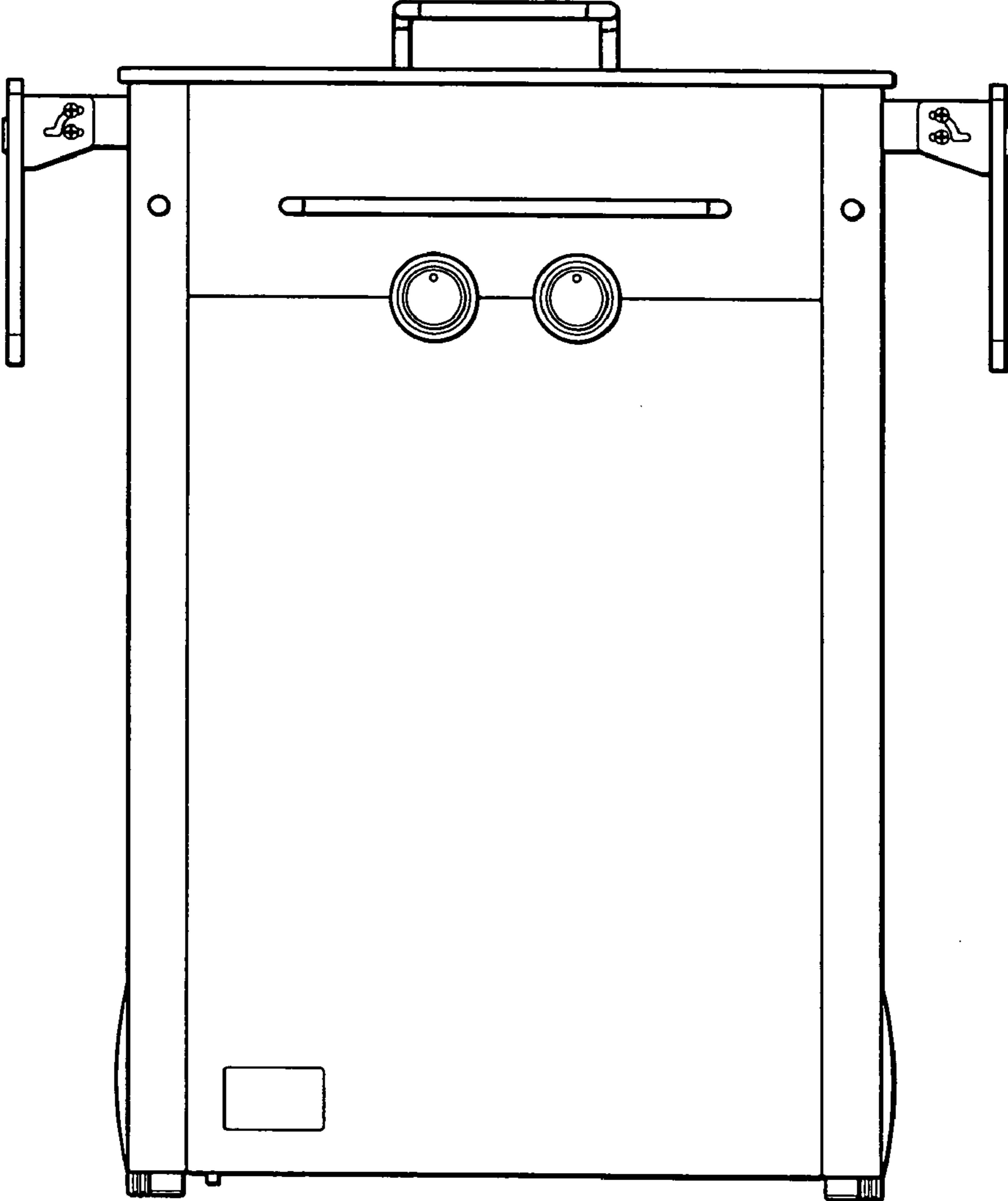


FIG. 2

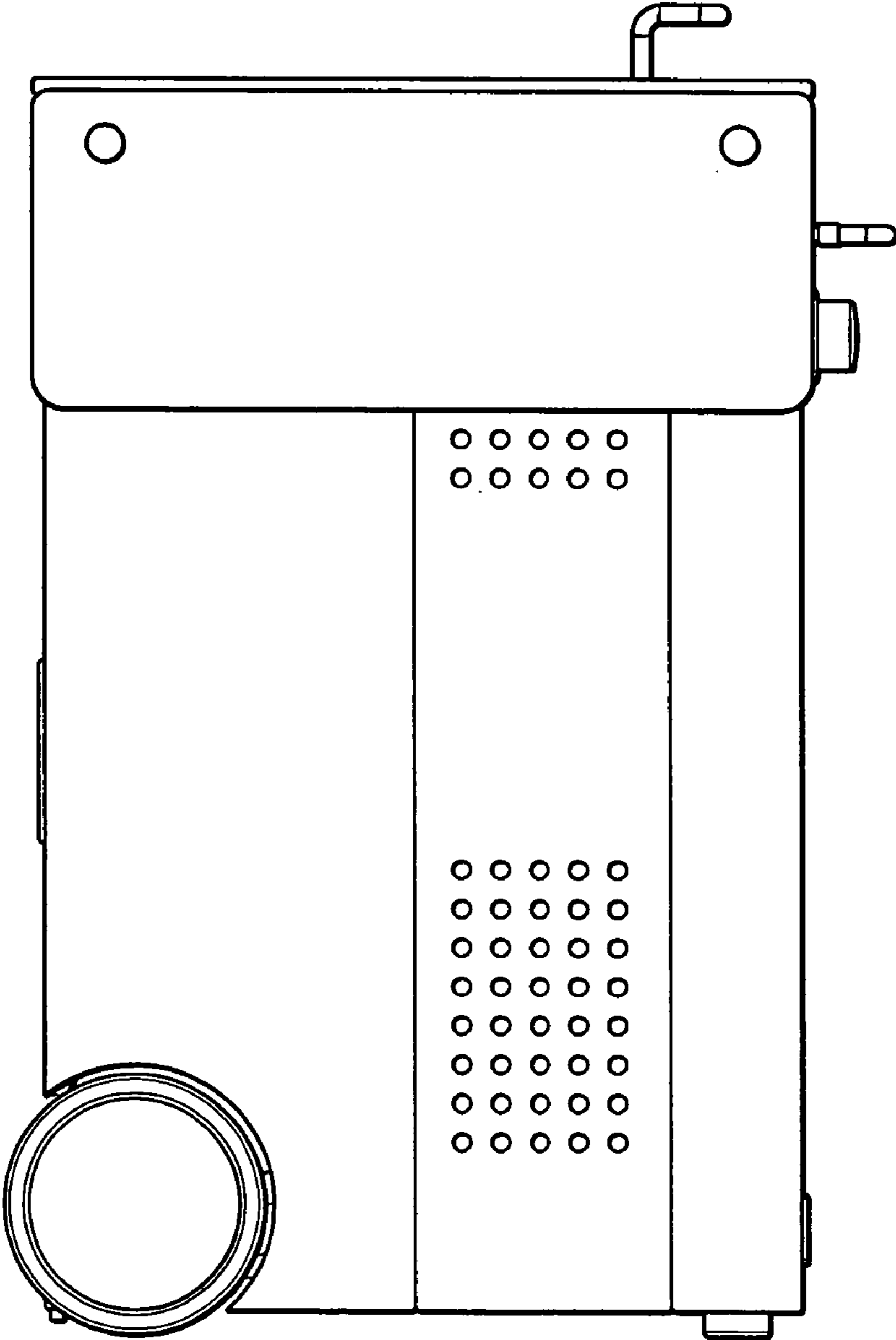


FIG. 3

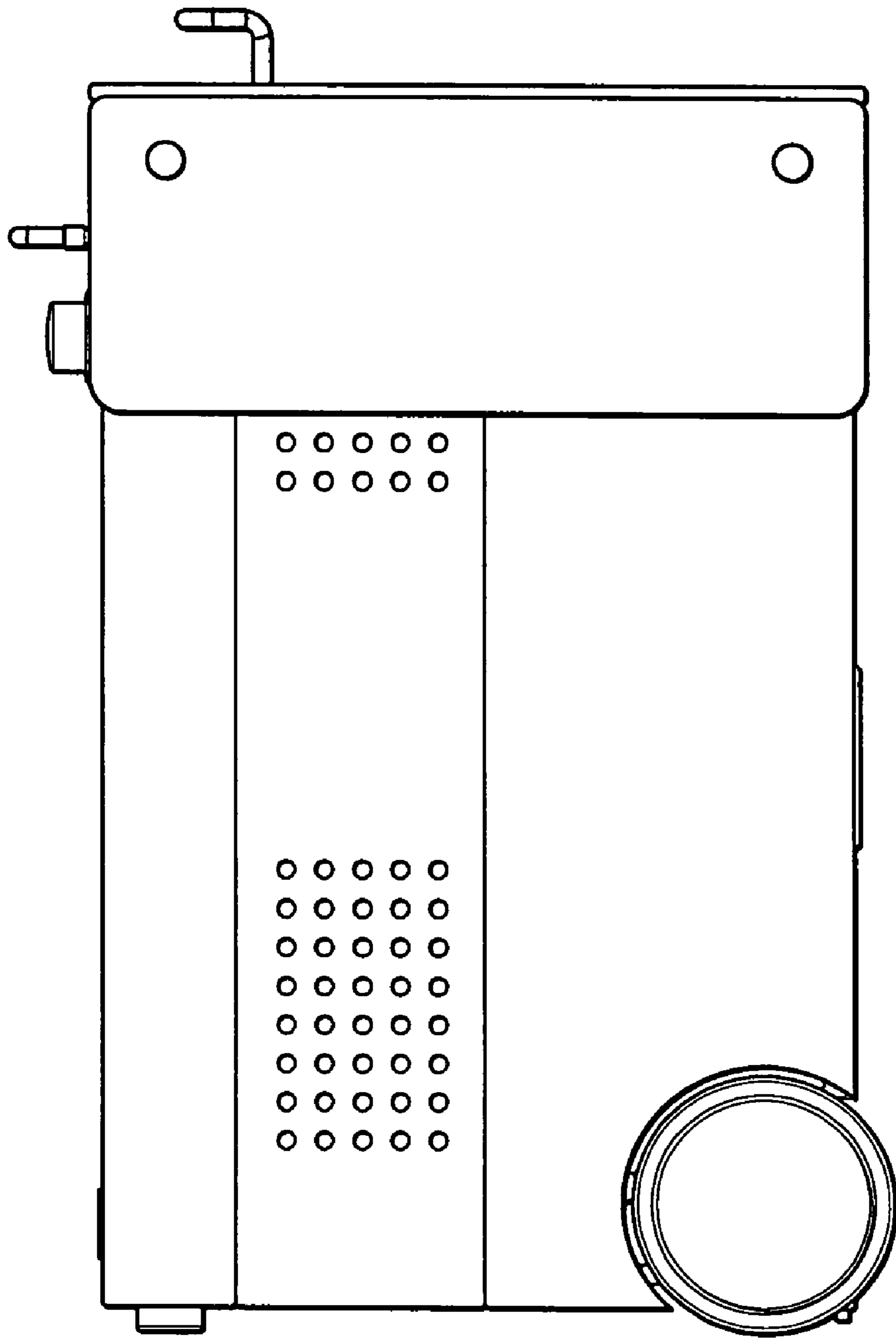


FIG. 4

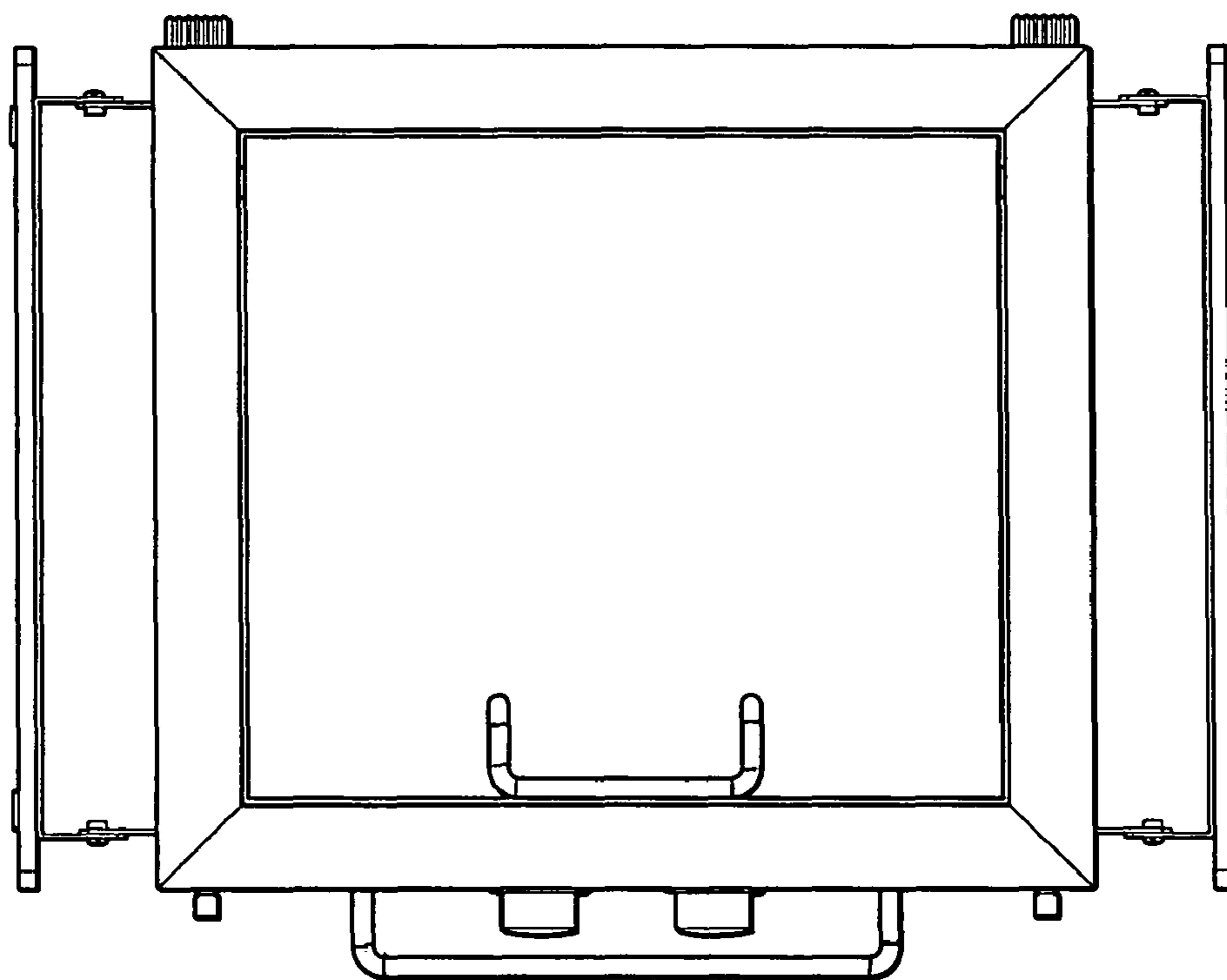


FIG. 5

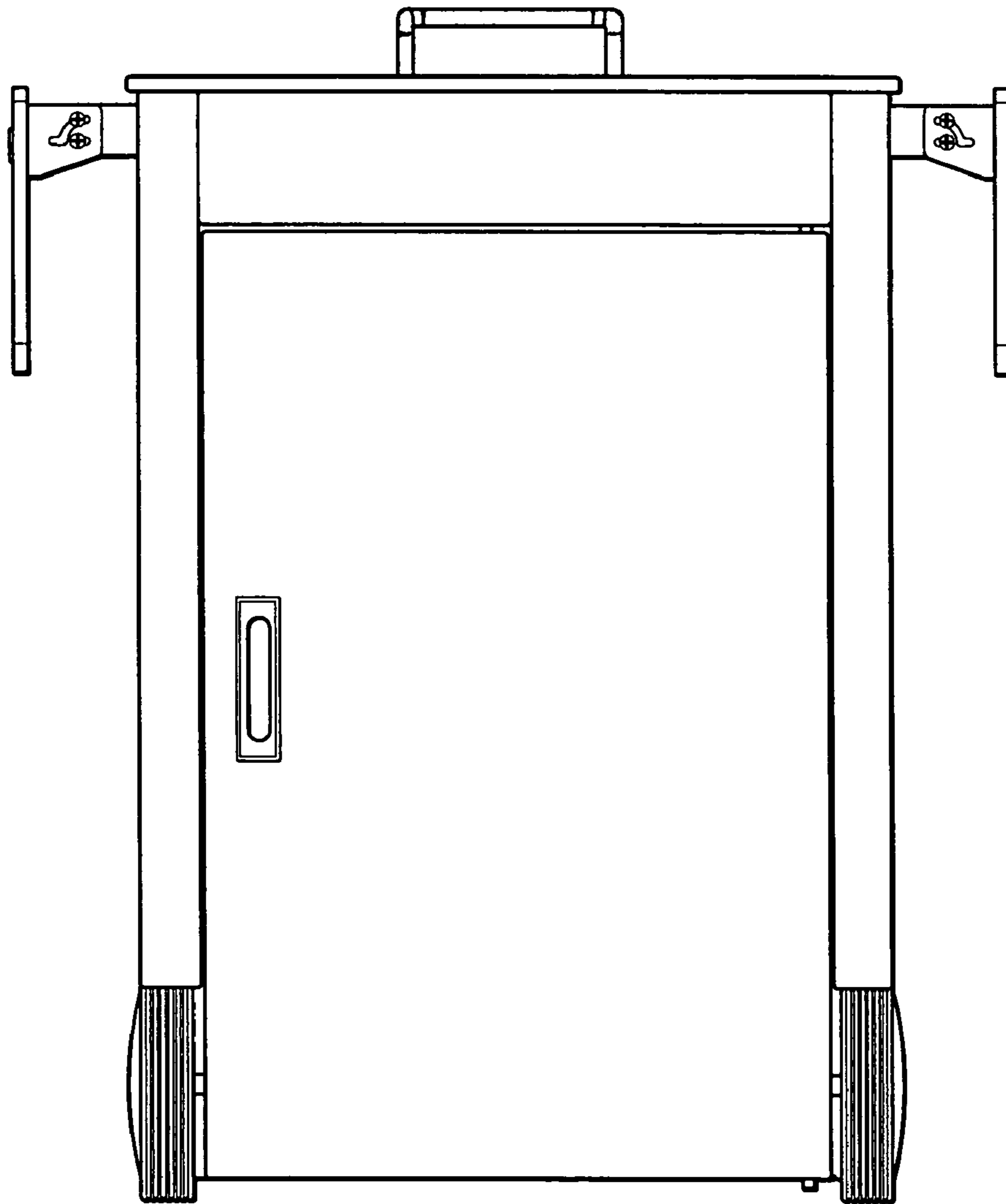


FIG. 6

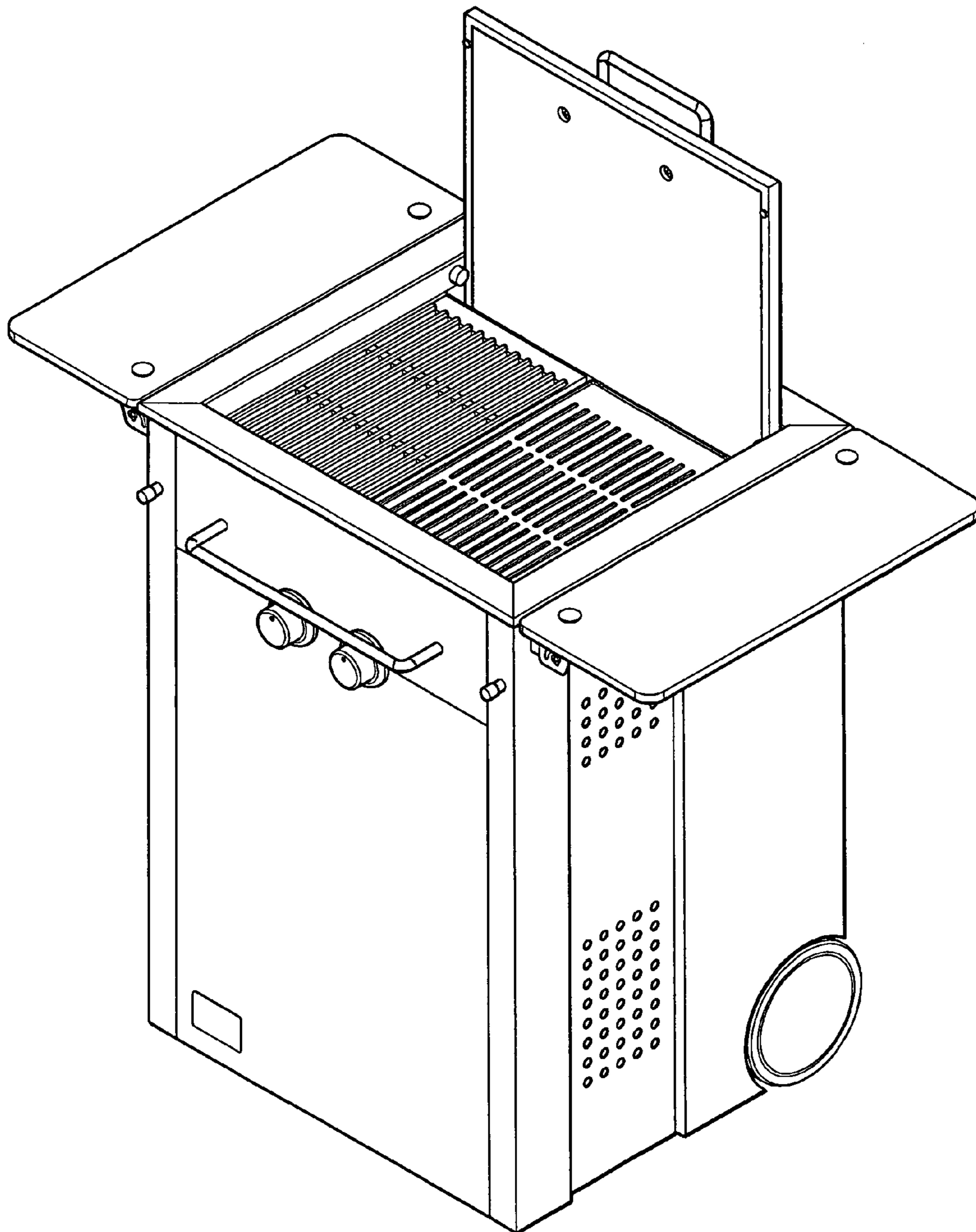


FIG. 7

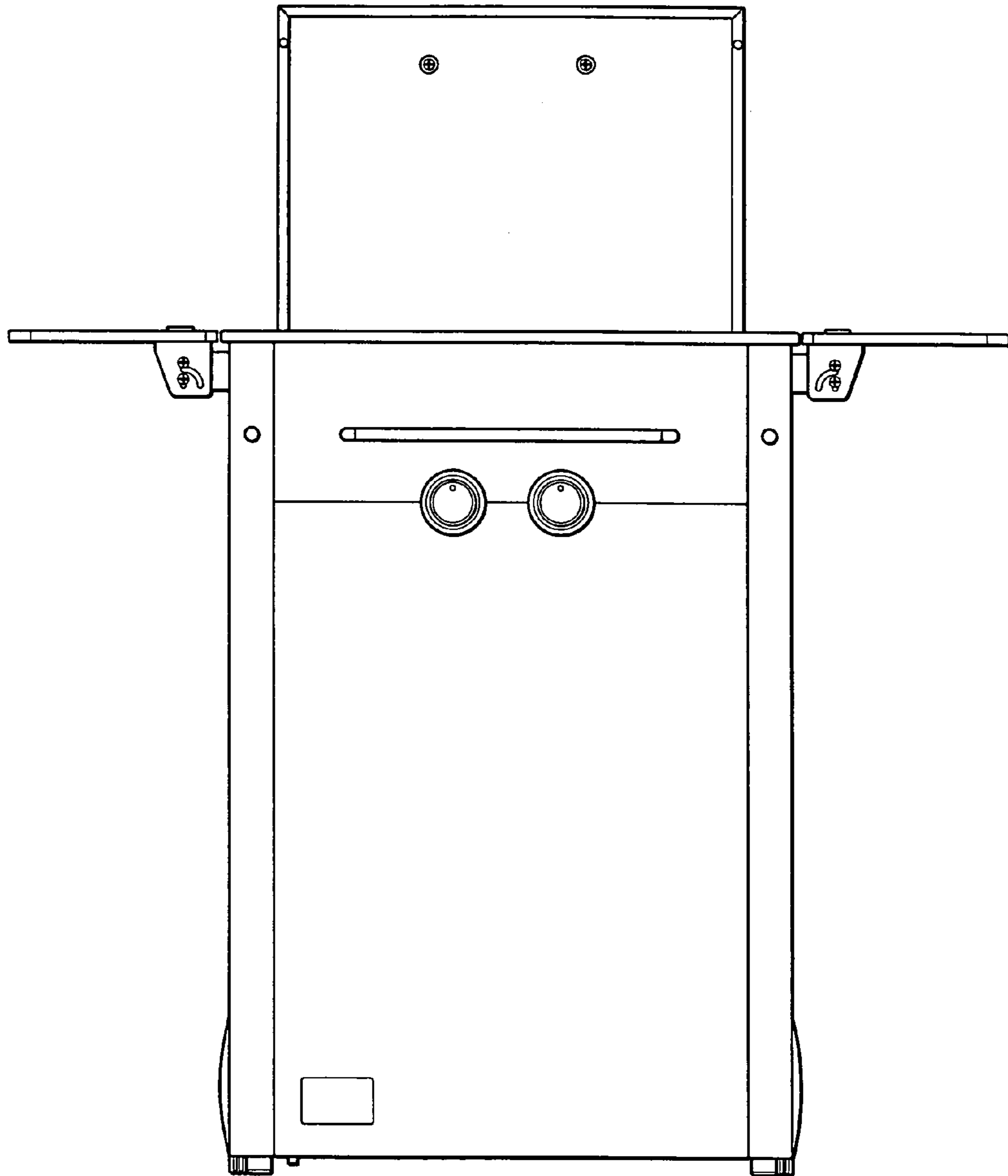


FIG. 8

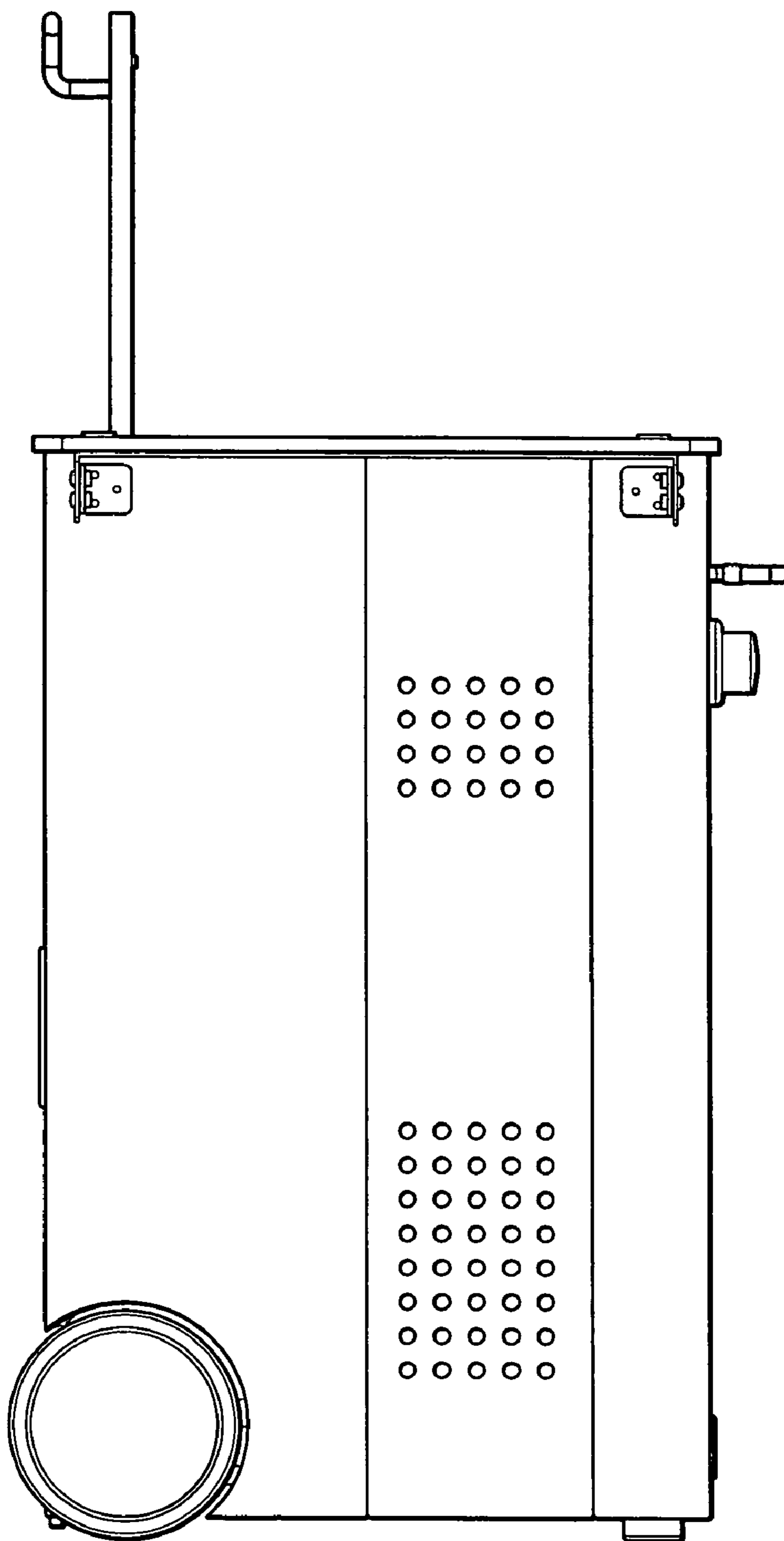


FIG. 9

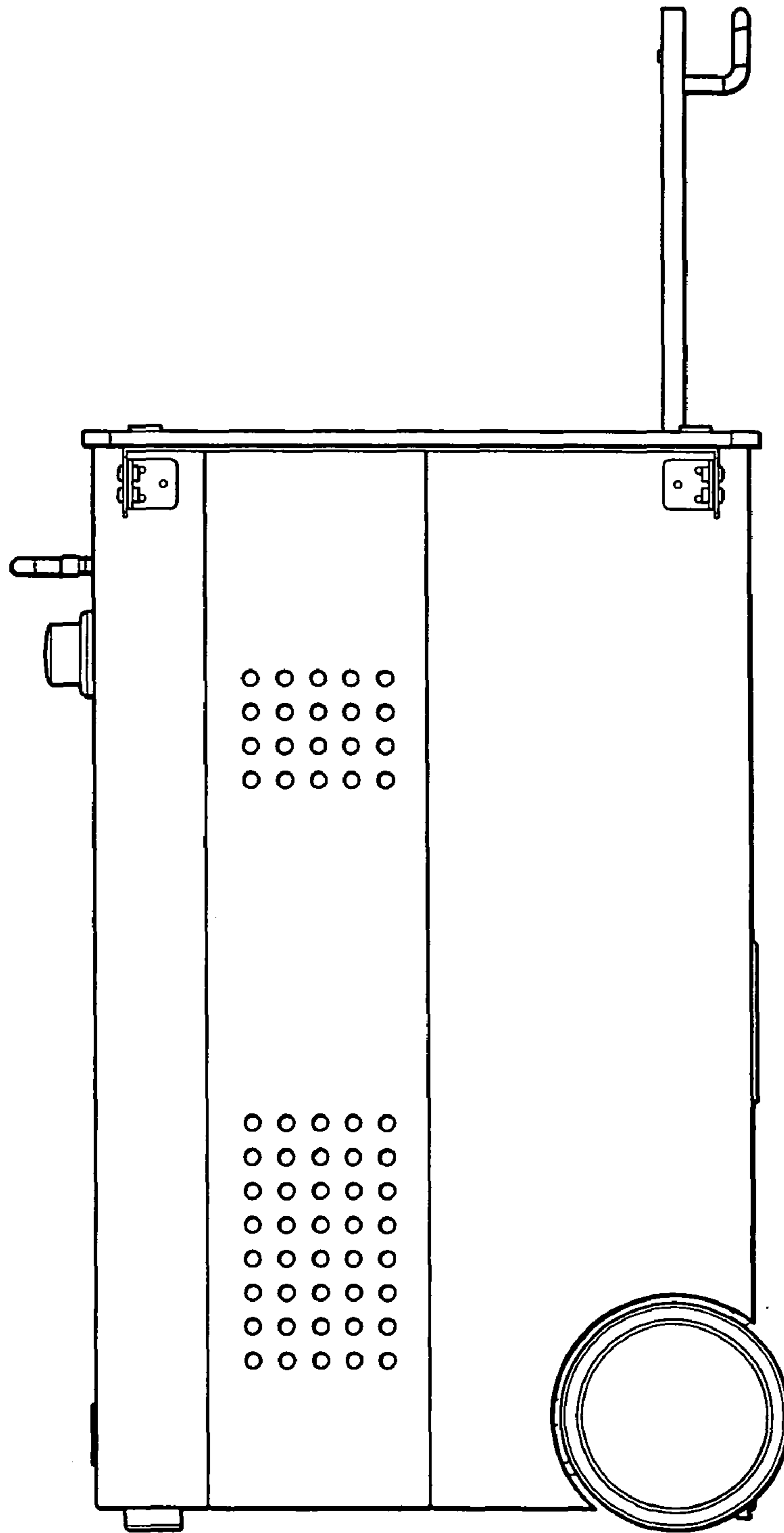


FIG. 10

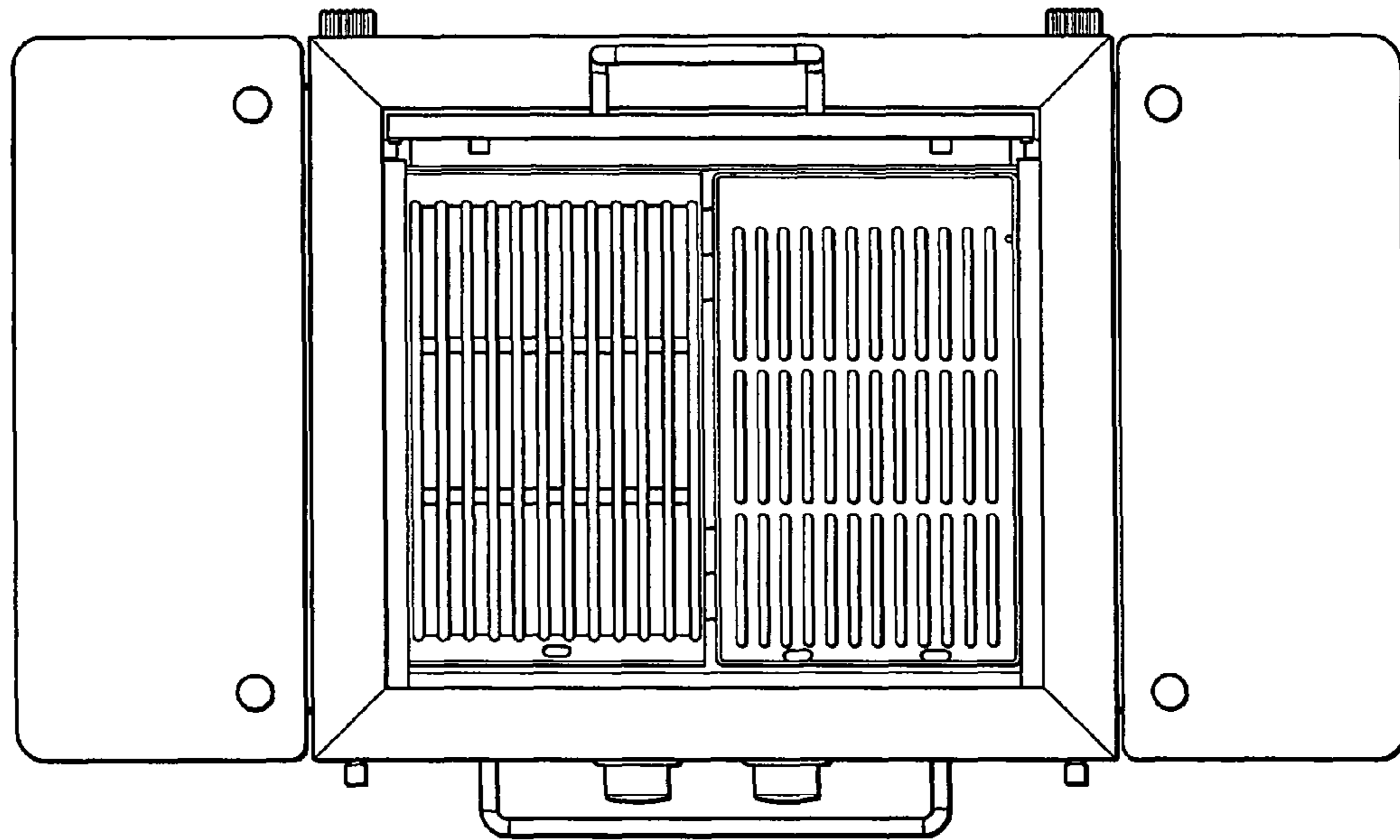


FIG. 11

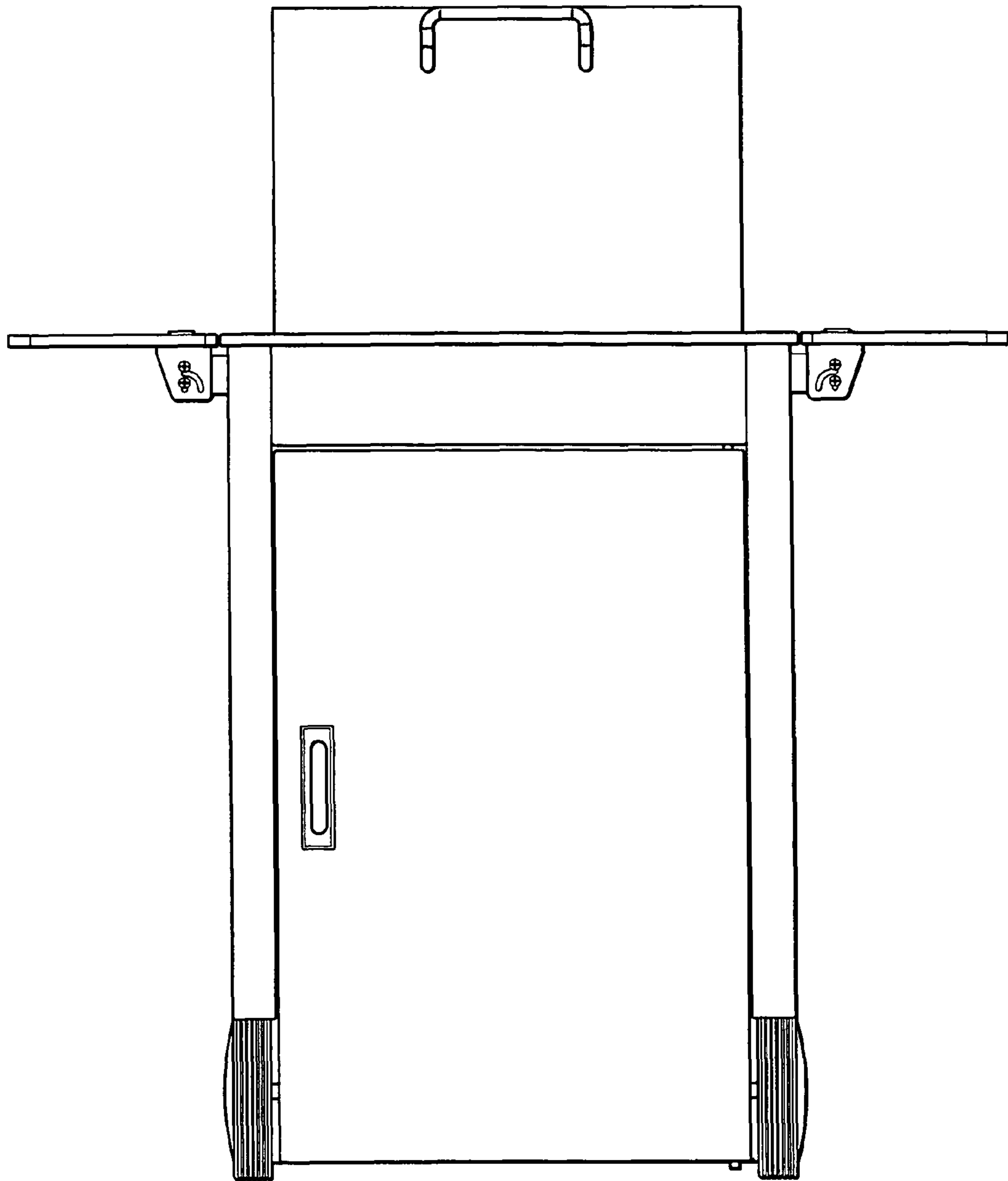


FIG. 12