



US00D619410S

(12) **United States Design Patent**  
**Pino et al.**

(10) **Patent No.:** **US D619,410 S**  
(45) **Date of Patent:** **\*\* Jul. 13, 2010**

(54) **COFFEE MAKER**

(75) Inventors: **Giovanni Pino**, Delray Beach, FL (US);  
**Junggeun Tak**, Newton, MA (US); **Joey Zeledon**, Cambridge, MA (US)

(73) Assignee: **Sunbeam Products, Inc.**, Boca Raton, FL (US)

(\*\*) Term: **14 Years**

(21) Appl. No.: **29/351,562**

(22) Filed: **Dec. 8, 2009**

(51) **LOC (9) Cl.** ..... **07-01**

(52) **U.S. Cl.** ..... **D7/309; D7/306; D7/311**

(58) **Field of Classification Search** ..... D7/300,  
D7/311, 306-309, 310, 397; D6/446; 222/129.1-129.4,  
222/146.6; 99/300, 306, 307, 281  
See application file for complete search history.

(56) **References Cited**

**U.S. PATENT DOCUMENTS**

D386,039 S	*	11/1997	Dingelstad	.....	D7/309
D478,461 S	*	8/2003	Hoard	.....	D7/309
D495,190 S	*	8/2004	Picozza et al.	.....	D7/309
D502,628 S	*	3/2005	Ledingham et al.	.....	D7/309
D513,917 S	*	1/2006	Edrington	.....	D7/309
D514,865 S	*	2/2006	Steiner	.....	D7/309
D530,969 S	*	10/2006	Lin	.....	D7/309
D544,744 S	*	6/2007	Colman et al.	.....	D7/301
D549,033 S	*	8/2007	Colman et al.	.....	D7/309

D553,416 S	*	10/2007	Lin	.....	D7/309
D555,415 S	*	11/2007	Lin	.....	D7/309
D556,496 S	*	12/2007	Fung	.....	D7/309
D557,059 S	*	12/2007	Lin	.....	D7/309
D558,505 S	*	1/2008	Padain et al.	.....	D7/306
D559,611 S	*	1/2008	Cheong	.....	D7/306
D602,727 S	*	10/2009	Nicolini	.....	D7/307
2003/0213370 A1	*	11/2003	Hammad et al.	.....	99/300

\* cited by examiner

*Primary Examiner*—Marianne Pandozzi

(74) *Attorney, Agent, or Firm*—Lawrence J. Shurpoff

(57) **CLAIM**

The ornamental design for a coffee maker, as shown and described.

**DESCRIPTION**

FIG. 1 is a front perspective view of the coffee maker showing the new design;

FIG. 2 is a front elevation view thereof;

FIG. 3 is a back elevation view thereof;

FIG. 4 is a left side elevation view thereof;

FIG. 5 is a right side elevation view thereof;

FIG. 6 is a top plan view thereof; and,

FIG. 7 is a bottom plan view thereof.

The broken lines in the drawings are for illustrative purposes only and form no part of the claimed design.

**1 Claim, 4 Drawing Sheets**

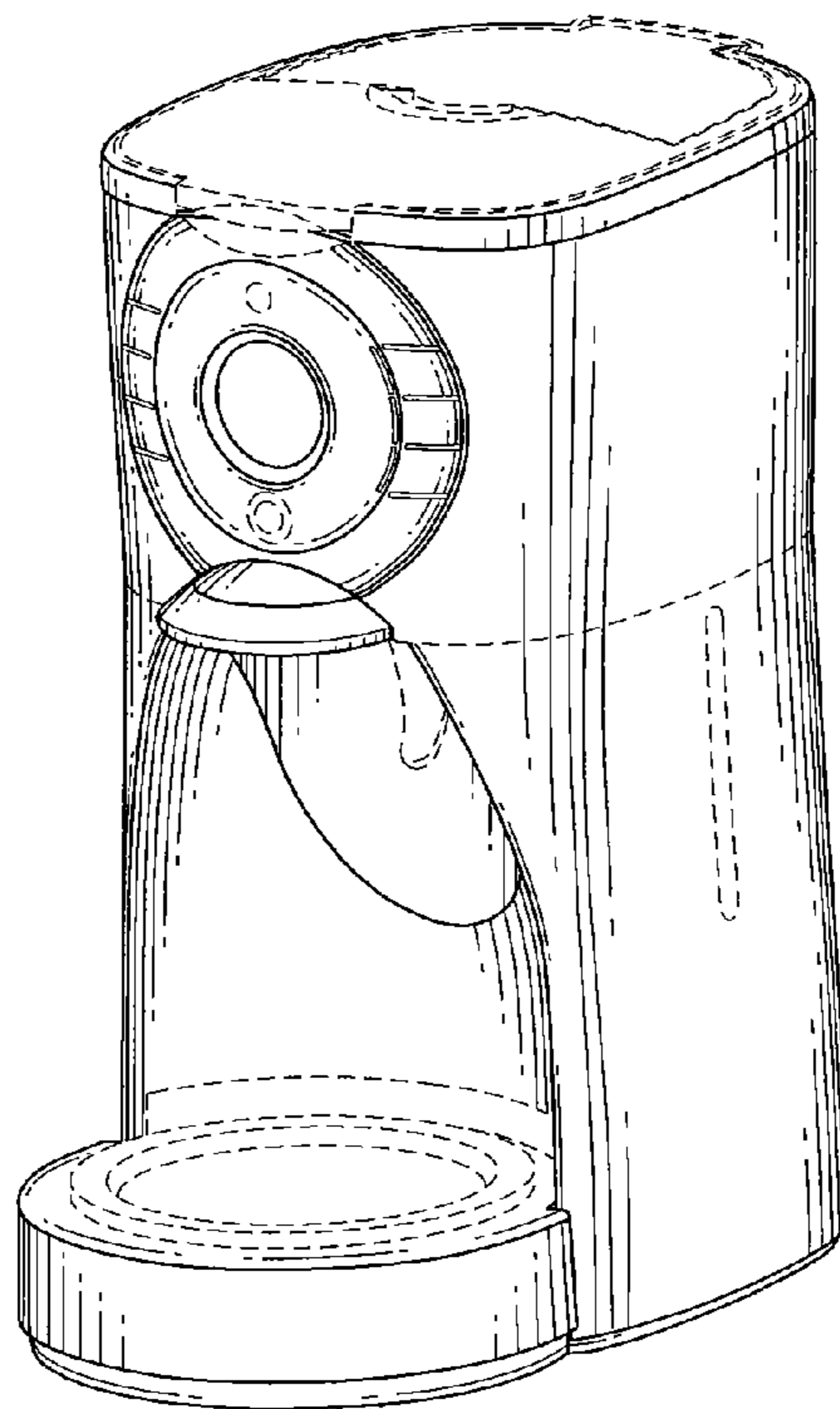


FIG. 1

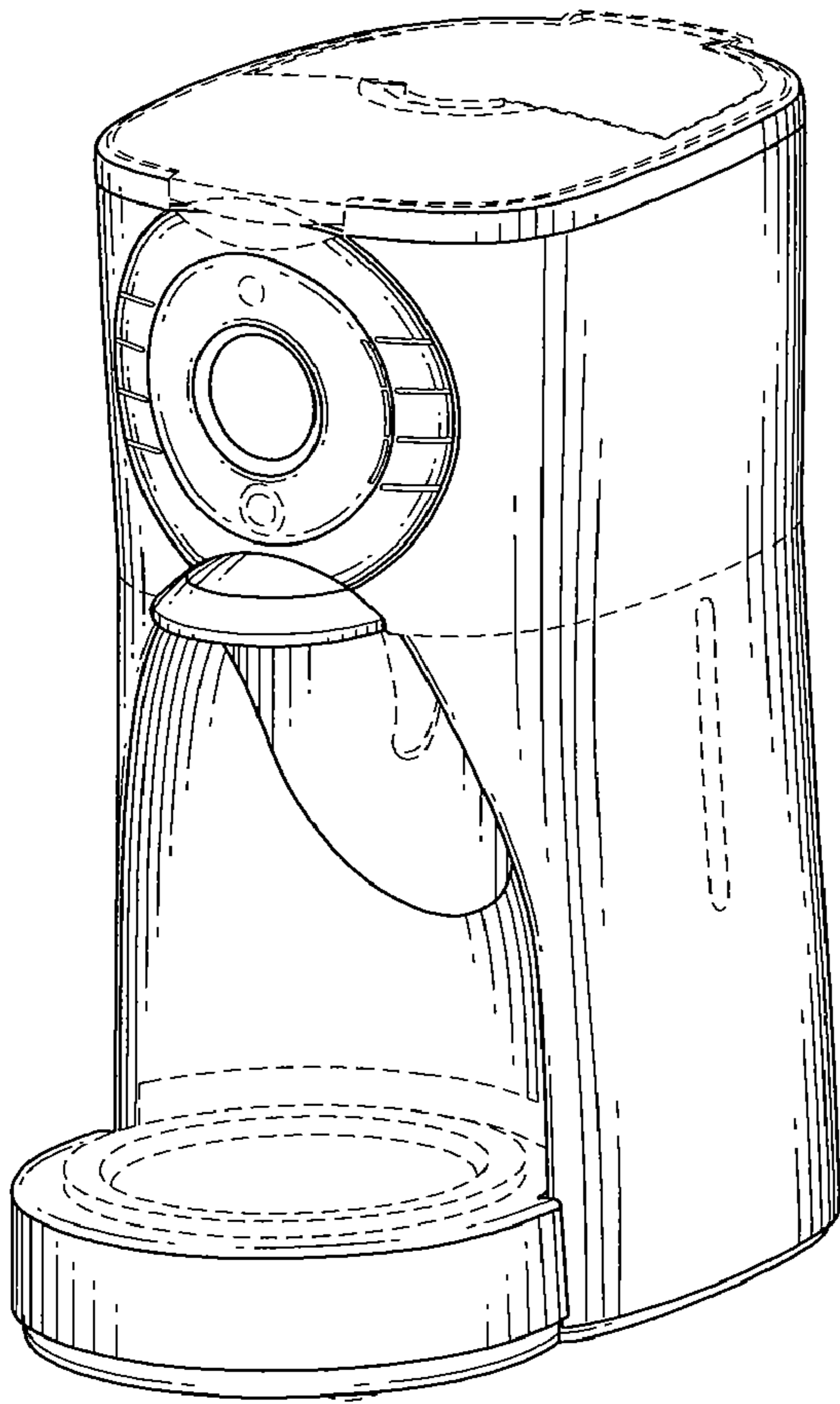


FIG. 2

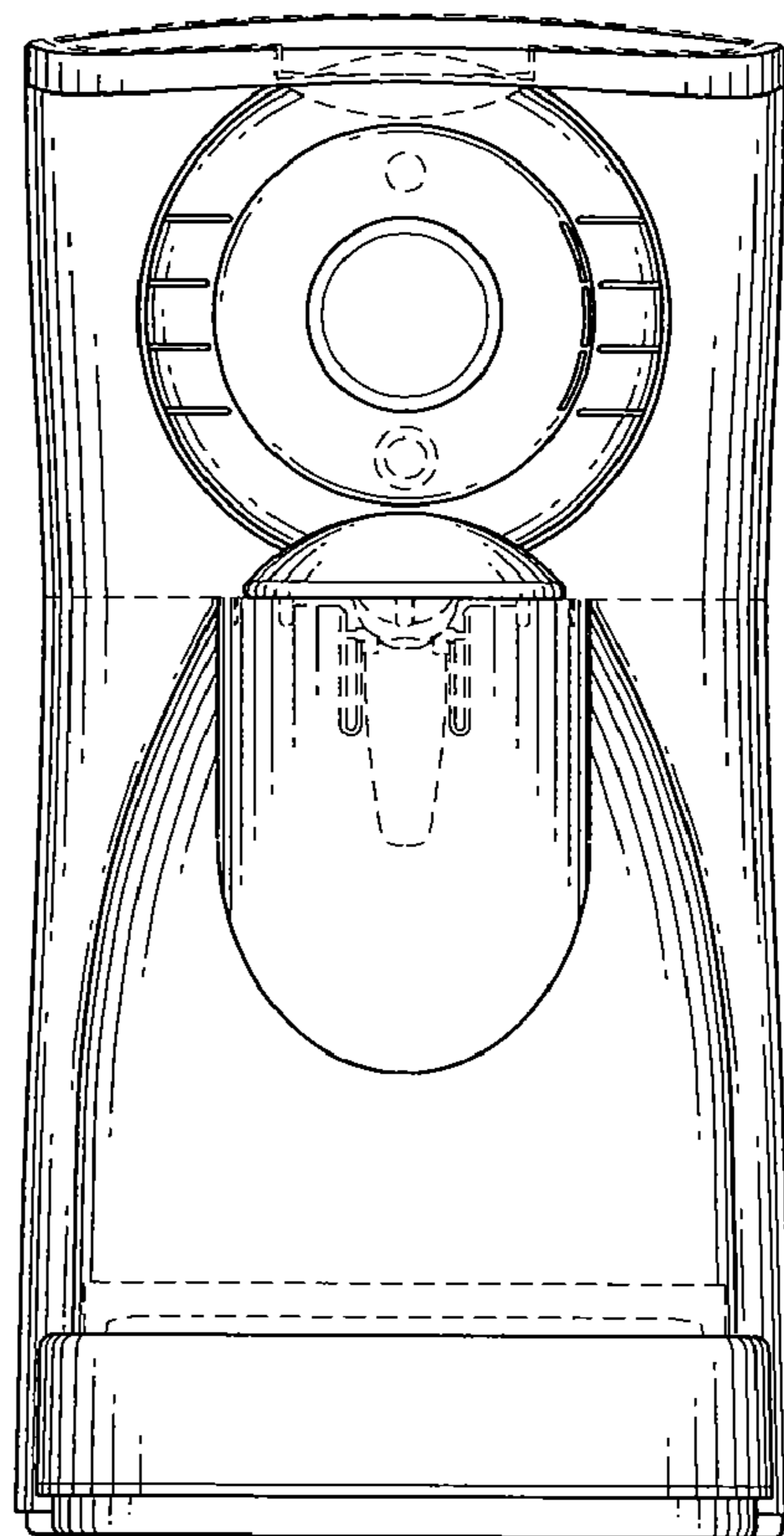


FIG. 3

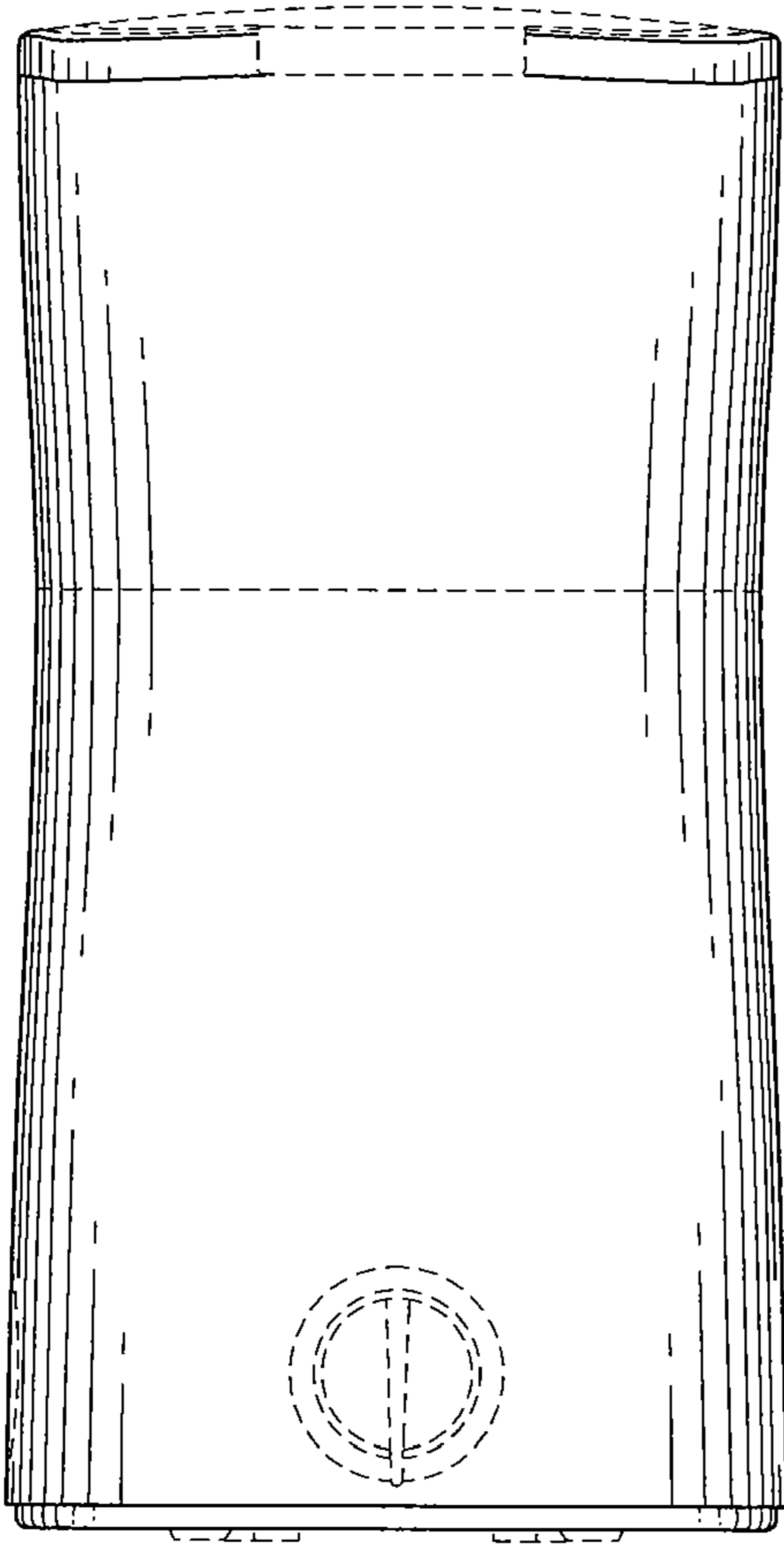


FIG. 4

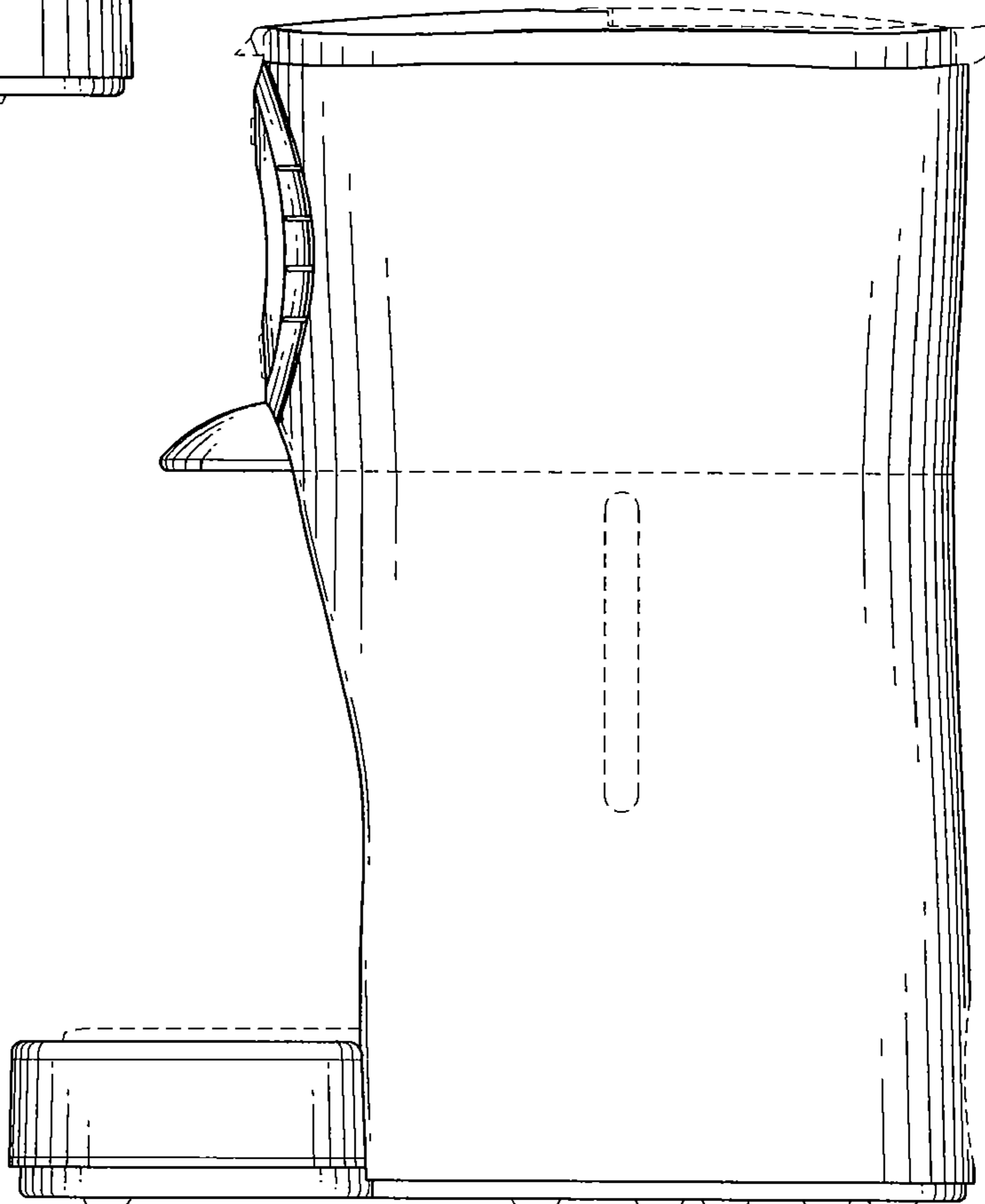


FIG. 5

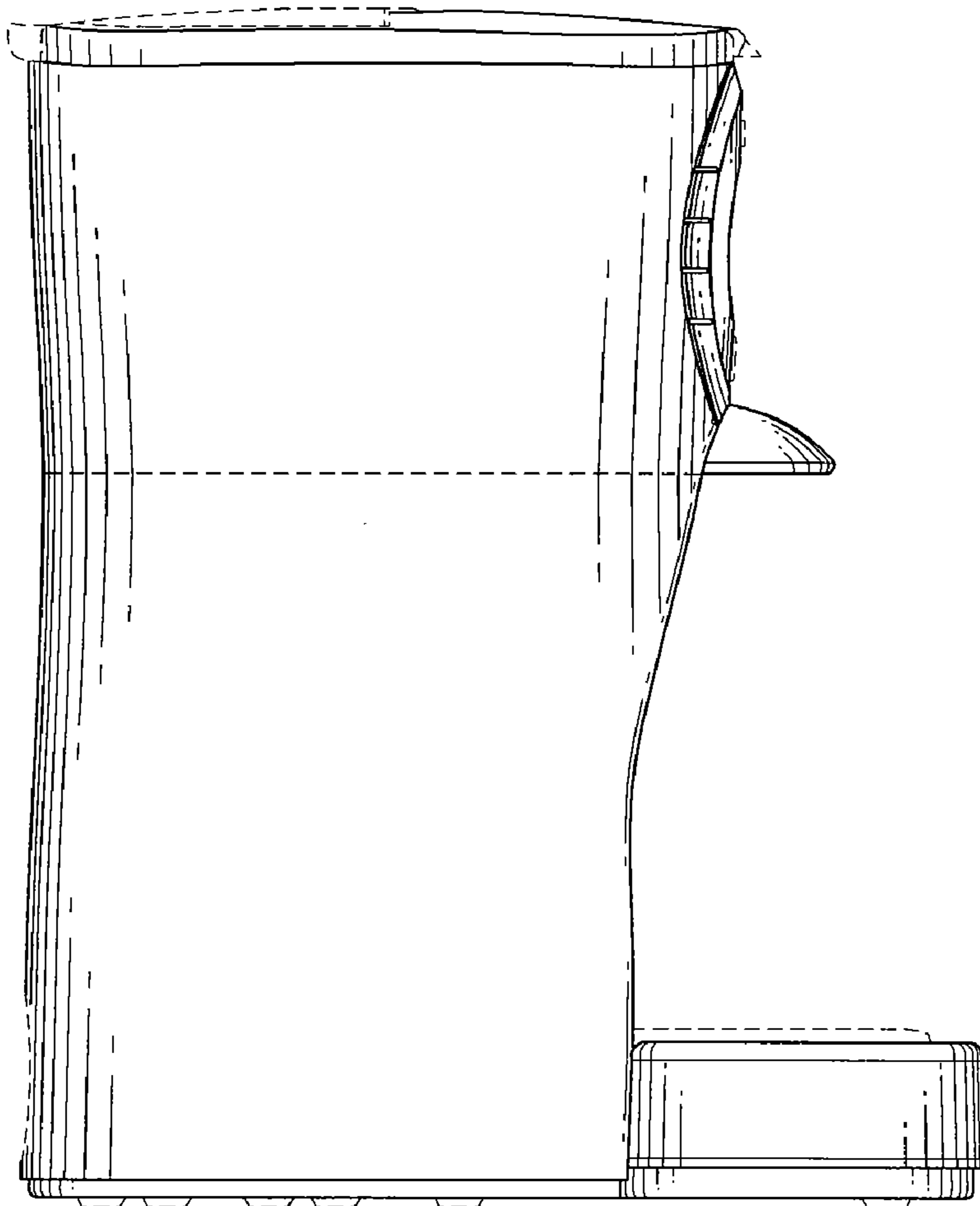


FIG. 6

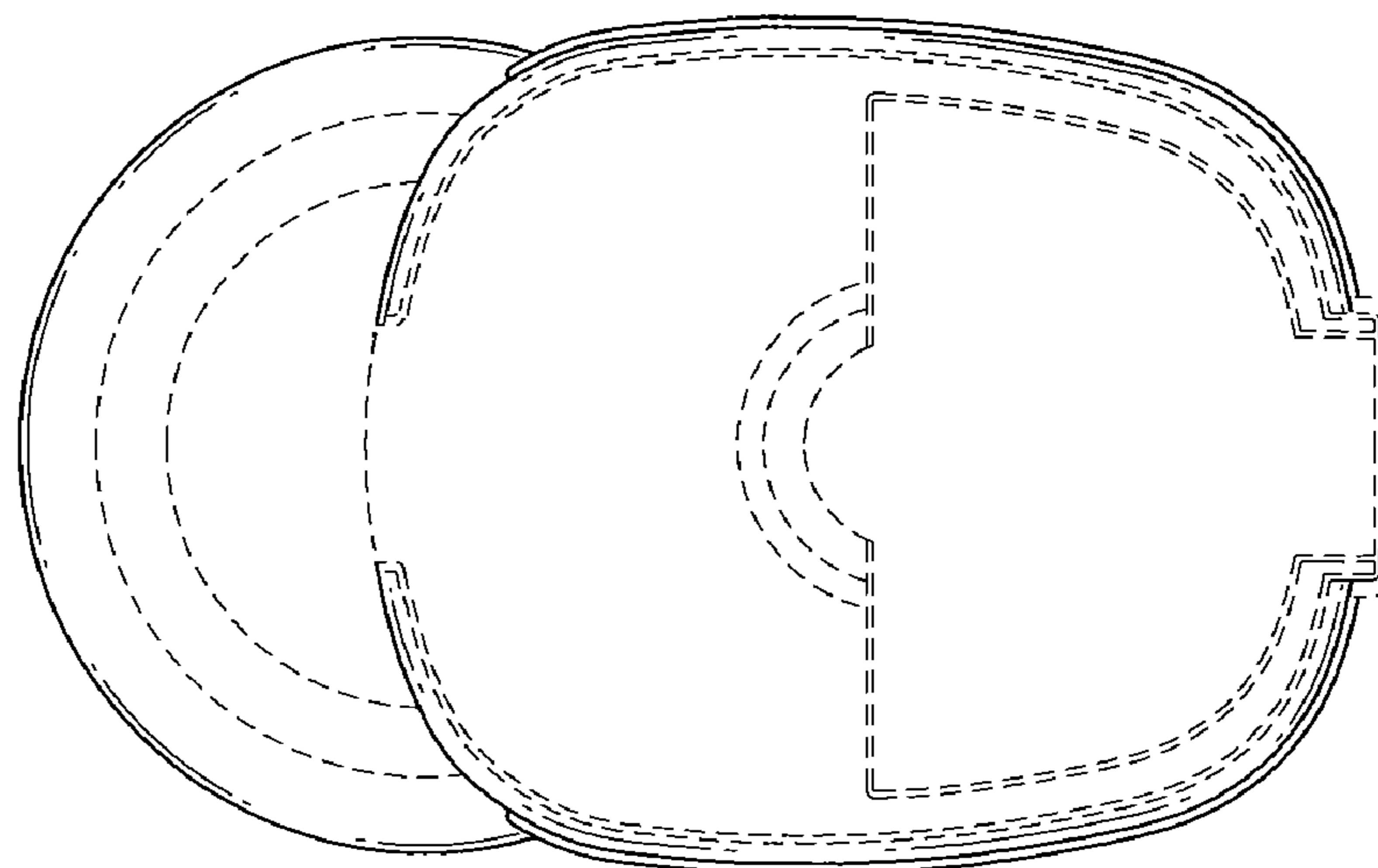


FIG. 7

