



US00D619405S

(12) **United States Design Patent**  
**Vainshtein**

(10) **Patent No.:** **US D619,405 S**  
(45) **Date of Patent:** **\*\* Jul. 13, 2010**

(54) **UNDER CABINET MAT**

(76) Inventor: **Leonid Vainshtein**, 9820 N. Central Ave., #118, Phoenix, AZ (US) 85020

(\*\*) Term: **14 Years**

(21) Appl. No.: **29/315,922**

(22) Filed: **Aug. 5, 2009**

(51) **LOC (9) Cl.** ..... **06-13**

(52) **U.S. Cl.** ..... **D6/613; D6/582**

(58) **Field of Classification Search** ..... D6/610-612, D6/616, 582-584; 297/219.1-229; 5/653, 5/655; 150/154, 158, 165; 15/215; D30/161; D12/203; 4/581, 582; D9/737

See application file for complete search history.

(56) **References Cited**

**U.S. PATENT DOCUMENTS**

D232,534 S *	8/1974	Krusinski et al.	.....	D12/203
D331,191 S *	11/1992	Ventola et al.	.....	D9/737
D351,693 S *	10/1994	Sutton	.....	D30/161
D353,505 S *	12/1994	Rea	.....	D6/582
D355,226 S *	2/1995	Wadley	.....	D21/686
D435,149 S *	12/2000	Kleinberg	.....	D30/161
D436,784 S *	1/2001	Iacovelli et al.	.....	D6/582
D439,102 S *	3/2001	Pierce	.....	D6/612
6,261,667 B1 *	7/2001	Yang	.....	15/215

6,677,027 B1 *	1/2004	Lu	.....	15/215
D516,977 S *	3/2006	Keilhauer et al.	.....	D12/203
D518,248 S *	3/2006	Northrop	.....	D30/161
D538,096 S *	3/2007	Bartell et al.	.....	D6/616

\* cited by examiner

*Primary Examiner*—T. Chase Nelson

*Assistant Examiner*—David G Muller

(74) *Attorney, Agent, or Firm*—Gregory J. Nelson

(57) **CLAIM**

I claim the ornamental design for an under cabinet mat, as shown and described.

**DESCRIPTION**

FIG. 1 is a perspective view of my new design for an under cabinet mat;

FIG. 2 is a left side view thereof;

FIG. 3 is a right side view thereof;

FIG. 4 is a front view thereof;

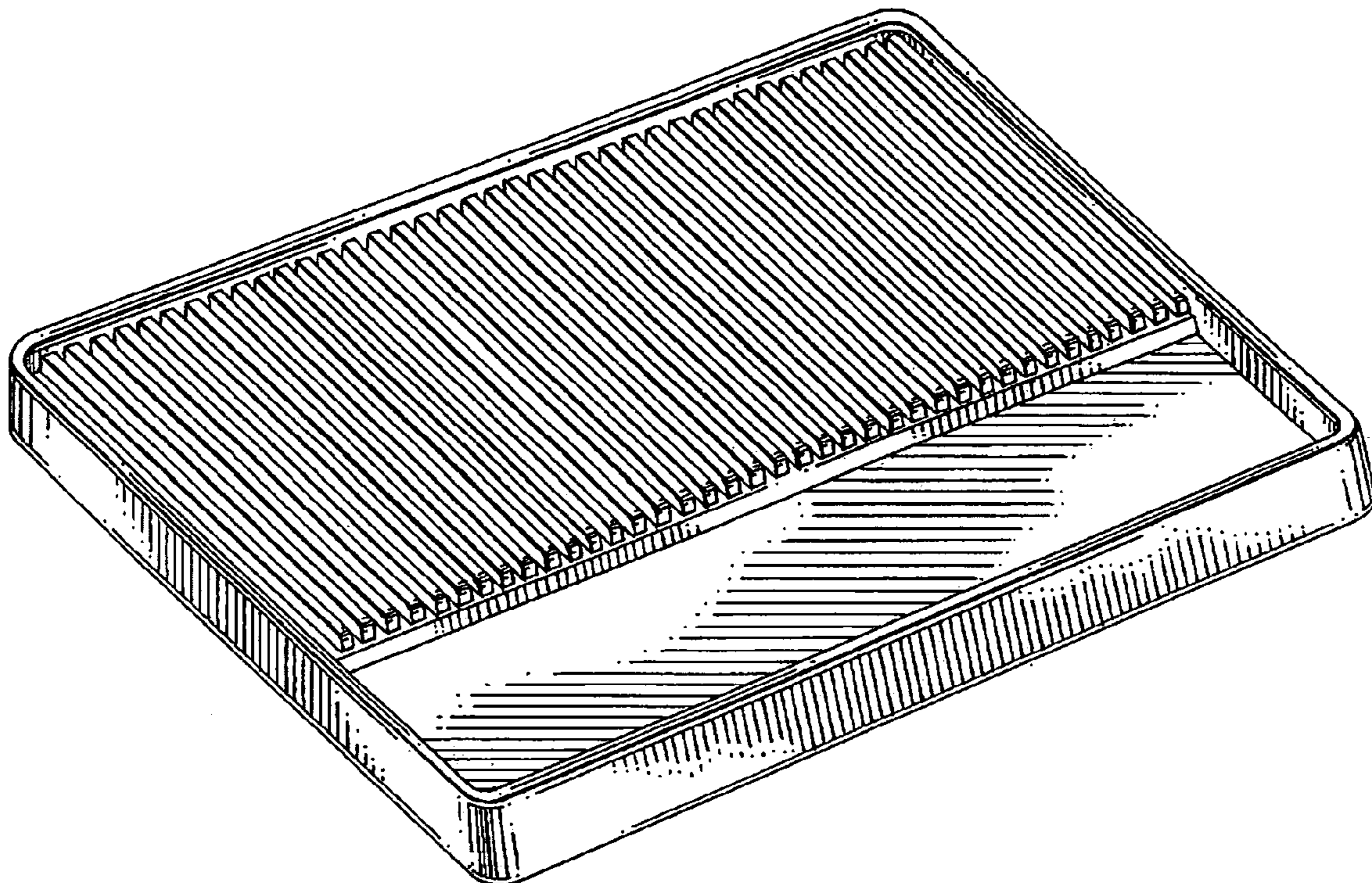
FIG. 5 is a rear view thereof;

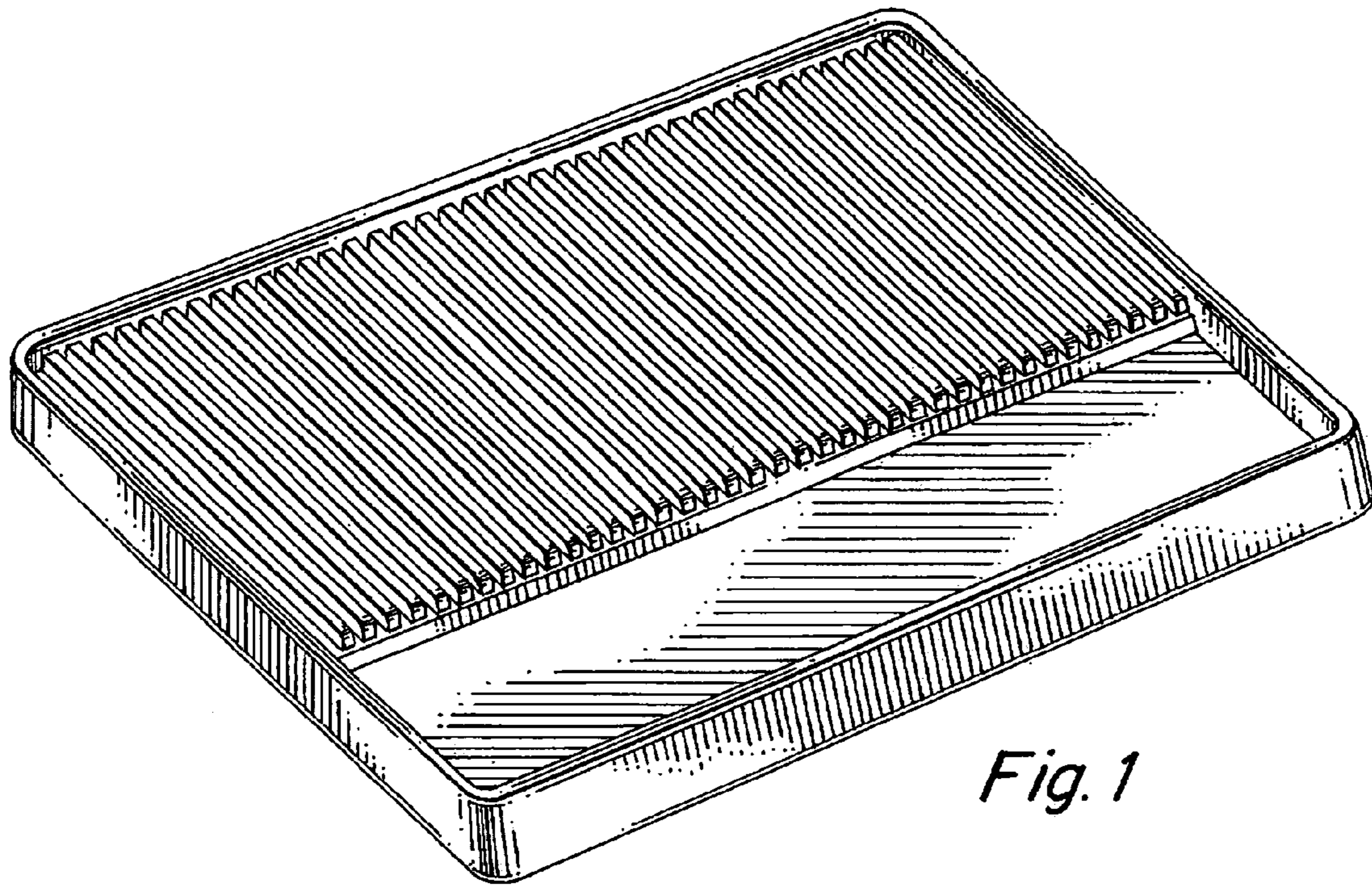
FIG. 6 is a top plan view thereof; and,

FIG. 7 is a bottom view.

The broken lines depict portions of the under cabinet mat that form no part of the claimed design.

**1 Claim, 3 Drawing Sheets**





*Fig. 1*



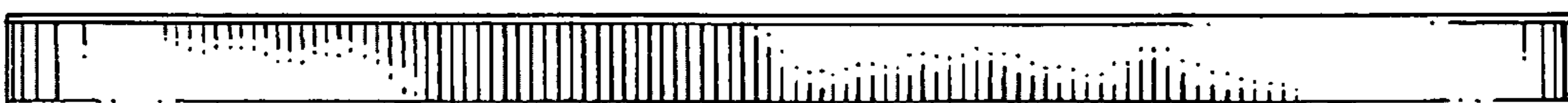
*Fig. 2*



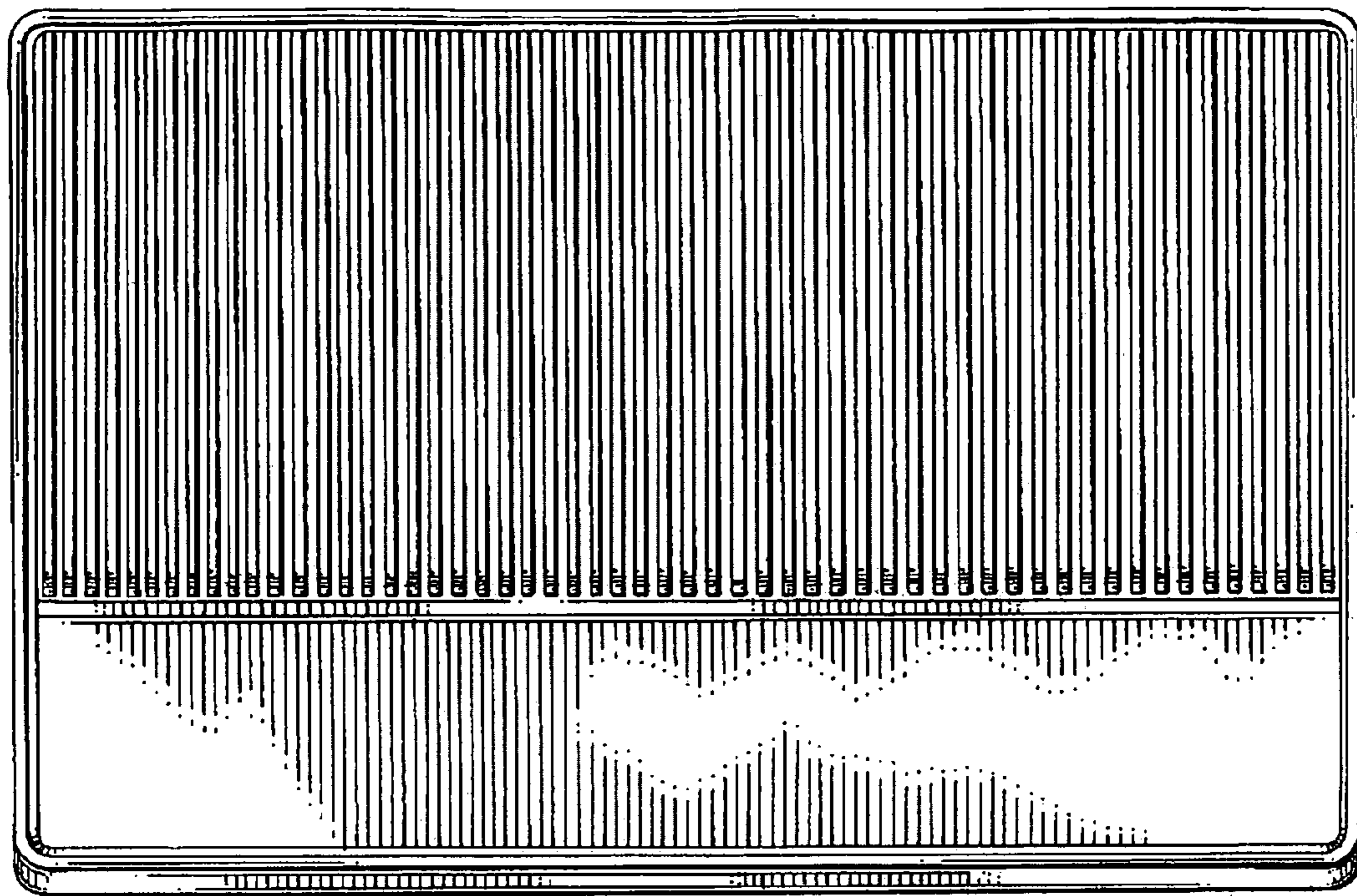
*Fig. 3*



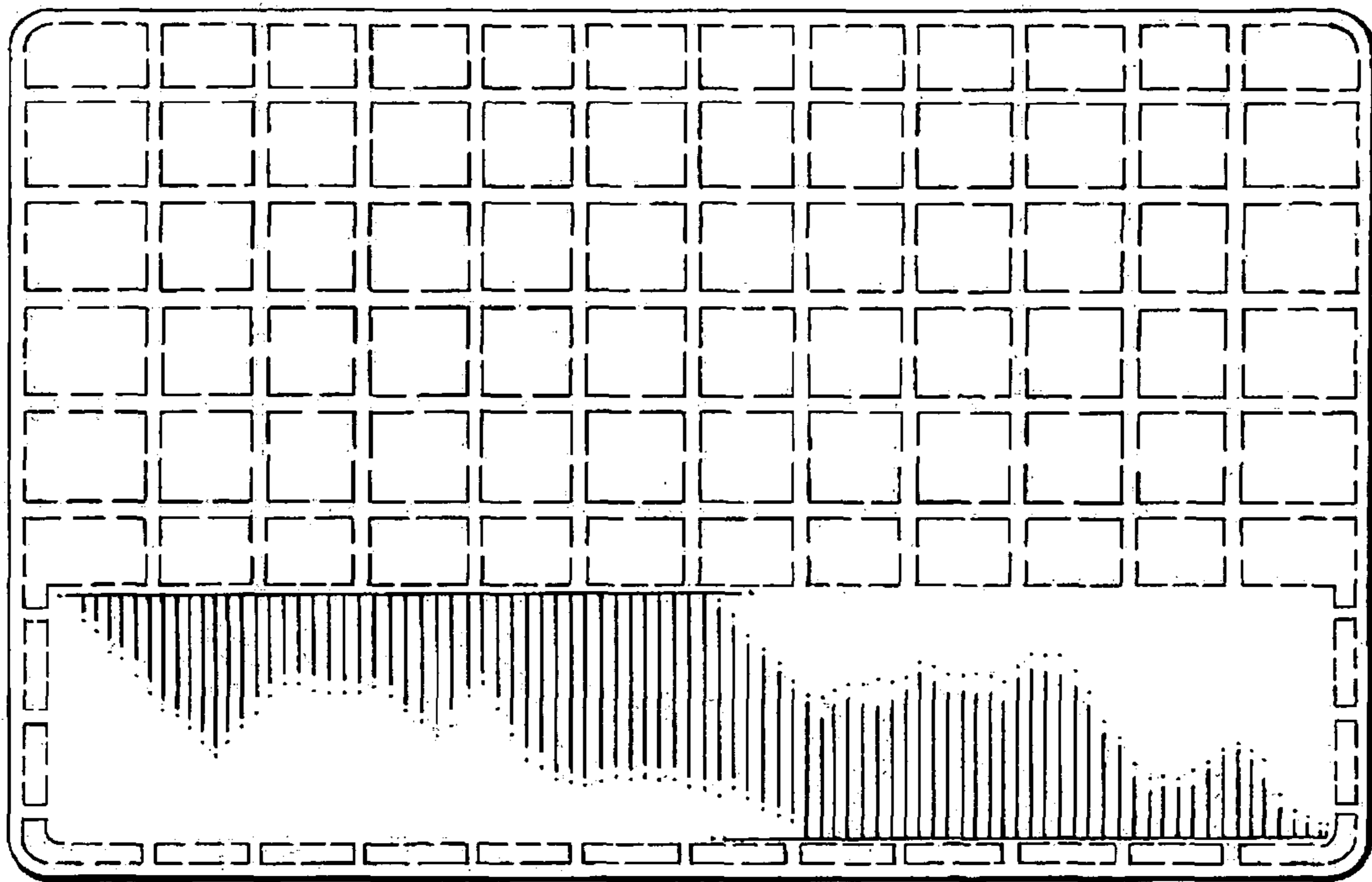
*Fig. 4*



*Fig. 5*



*Fig. 6*



*Fig. 7*