



US00D619404S

(12) **United States Design Patent**  
**Castillo**

(10) **Patent No.:** **US D619,404 S**  
(45) **Date of Patent:** **\*\* Jul. 13, 2010**

(54) **ANATOMICALLY CONTOURED MASSAGING PILLOW**

(76) Inventor: **Laurel Castillo**, 119-39 153 St., Queens, NY (US) 11434

(\*\*) Term: **14 Years**

(21) Appl. No.: **29/341,893**

(22) Filed: **Aug. 14, 2009**

(51) **LOC (9) Cl.** ..... **06-09**

(52) **U.S. Cl.** ..... **D6/609**

(58) **Field of Classification Search** ..... D6/595-601, D6/604; 5/630, 632, 636, 639, 644, 648, 5/652-654, 655.3, 655.9, 691; D21/803, D21/809; D24/183; 297/219.1, 220, 230.1  
See application file for complete search history.

(56) **References Cited**

**U.S. PATENT DOCUMENTS**

D266,549 S *	10/1982	Lund, III	.....	D6/601
D285,512 S *	9/1986	Bool	.....	D6/601
D295,248 S *	4/1988	Sommerfield et al.	.....	D6/601
4,907,306 A	3/1990	Nakaji		
4,930,171 A *	6/1990	Frantz	.....	5/654
D316,354 S *	4/1991	Bool	.....	D6/601
D354,876 S *	1/1995	Pace	.....	D6/601
5,479,667 A	1/1996	Nelson		
D423,859 S *	5/2000	Wolff	.....	D6/601
D492,875 S *	7/2004	Su et al.	.....	D6/601

6,902,537 B1	6/2005	Geisert		
D513,571 S *	1/2006	Haack	.....	D6/601
D540,096 S *	4/2007	Fuksas et al.	.....	D6/601
D546,107 S *	7/2007	Babcock	.....	D6/601
D595,526 S *	7/2009	Mills et al.	.....	D6/601
D599,151 S *	9/2009	Wilson	.....	D6/601
7,607,185 B1 *	10/2009	Minson	.....	5/691
2003/0177582 A1 *	9/2003	Gohl	.....	5/639
2005/0060807 A1 *	3/2005	Kaizuka	.....	5/636
2005/0144725 A1 *	7/2005	Guarino	.....	5/636

\* cited by examiner

*Primary Examiner*—Janice E Seeger

*Assistant Examiner*—Mary Ann Calabrese

(57) **CLAIM**

The ornamental design for an anatomically contoured massaging pillow, as shown and described.

**DESCRIPTION**

FIG. 1 is a perspective view of an anatomically contoured massaging pillow showing my new design;

FIG. 2 is a top plan view thereof;

FIG. 3 is a bottom plan view thereof.

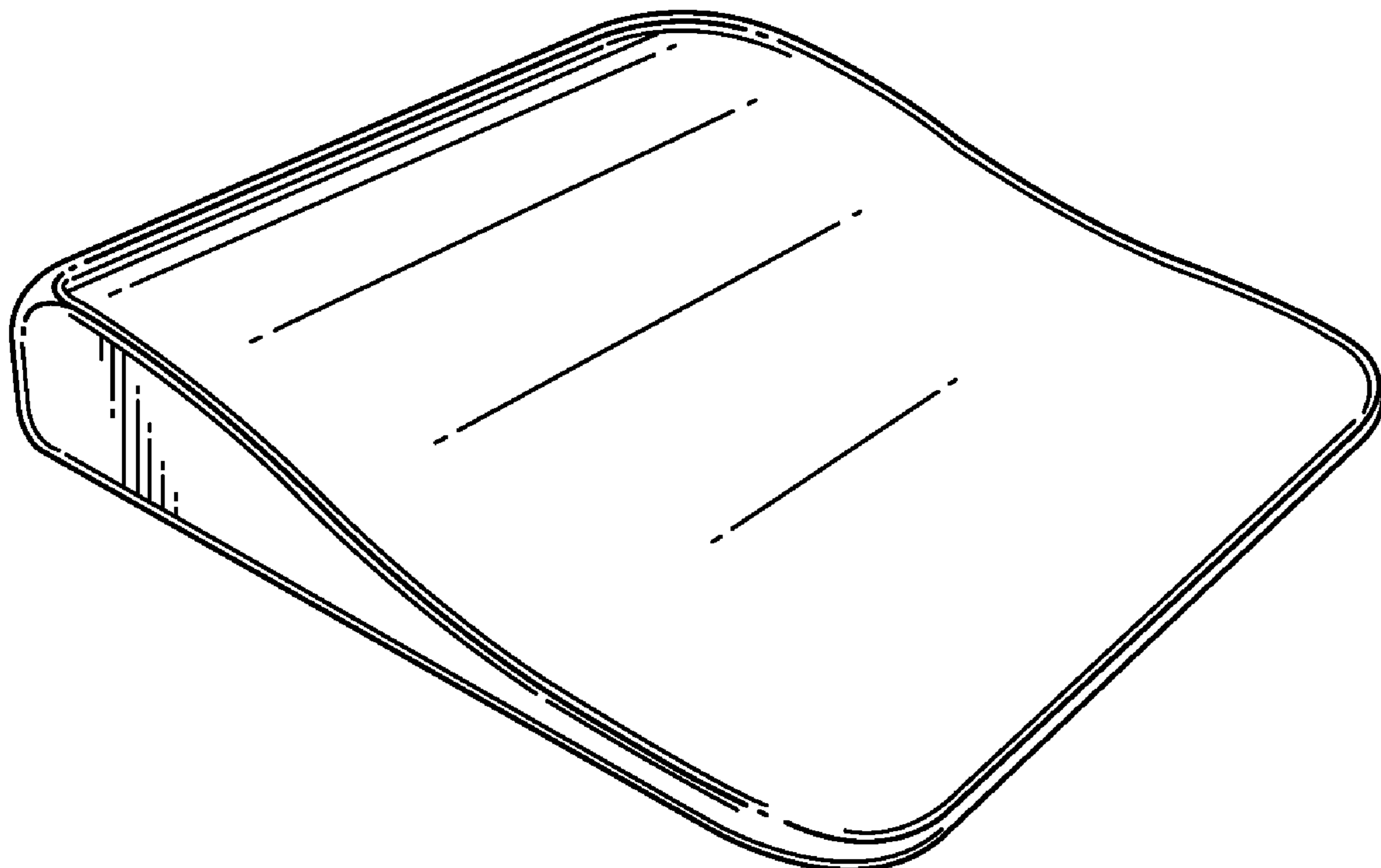
FIG. 4 is a front elevational view thereof;

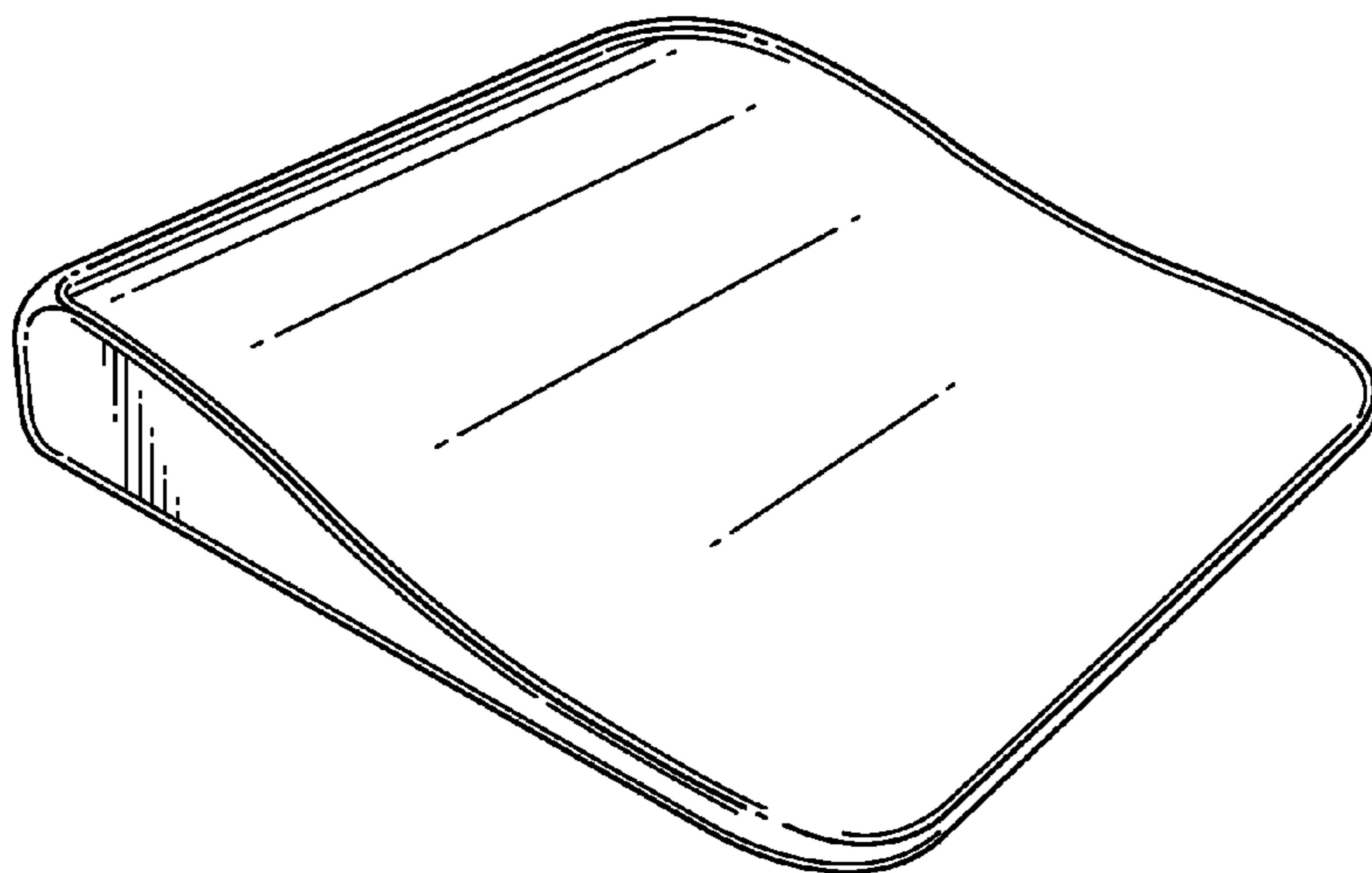
FIG. 5 is a rear elevational view thereof;

FIG. 6 is a left side elevational view thereof; and,

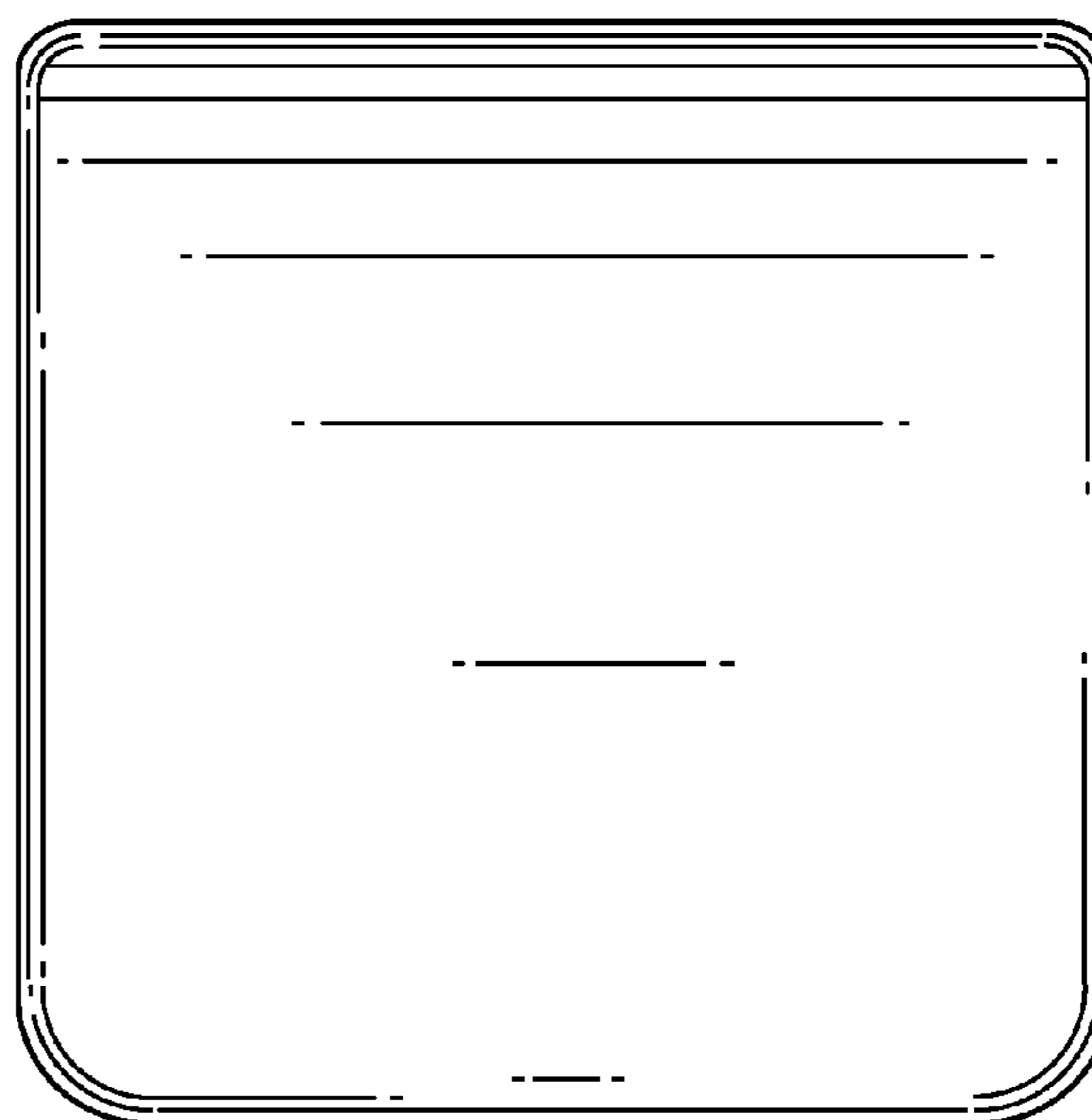
FIG. 7 is a right side elevational thereof.

**1 Claim, 2 Drawing Sheets**

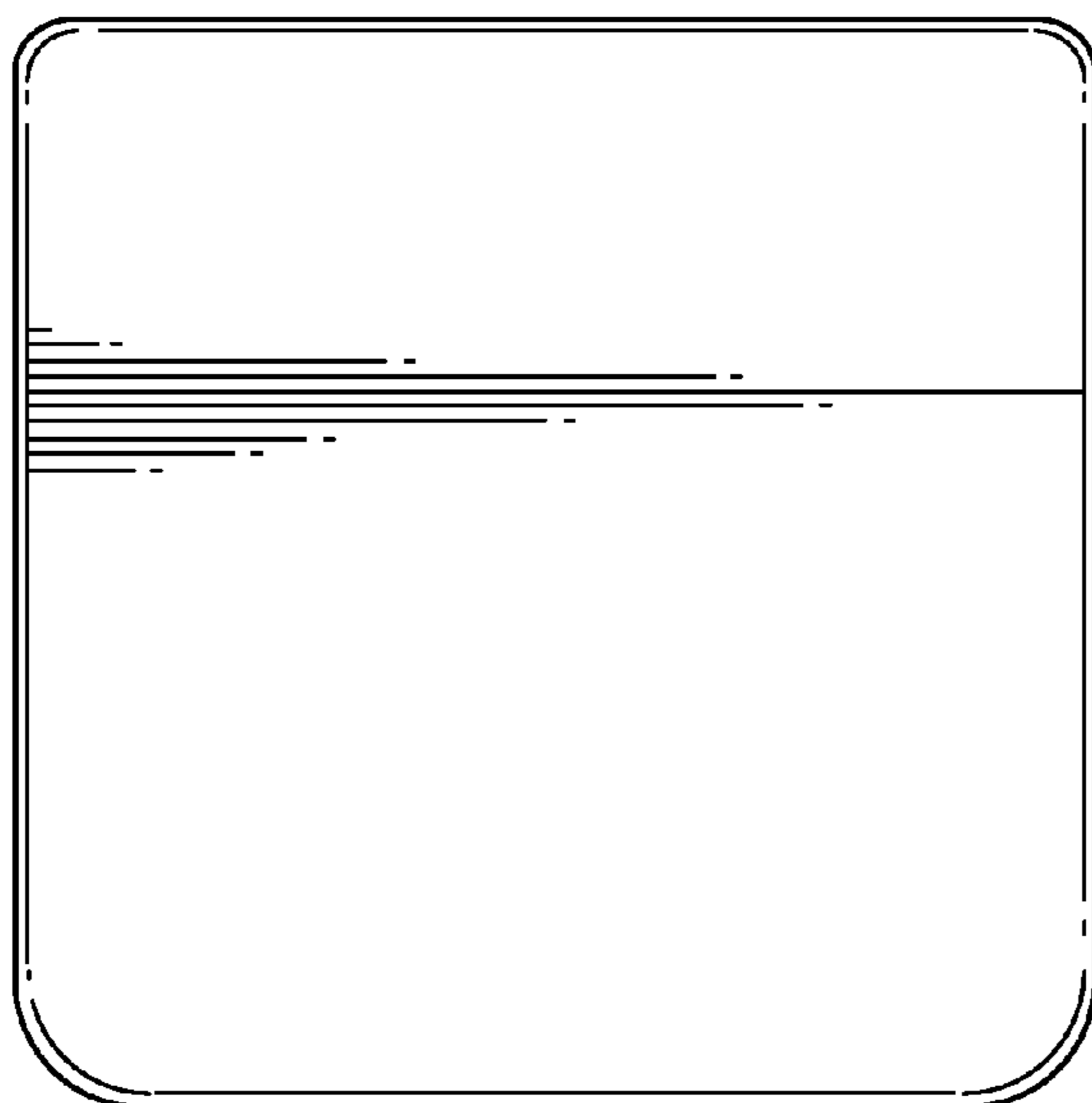




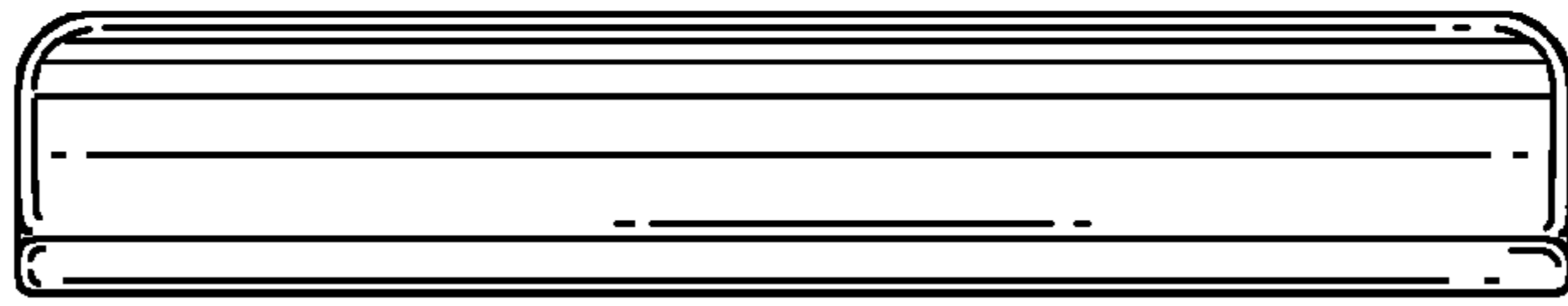
*Fig. 1*



*Fig. 2*



*Fig. 3*



*Fig. 4*

*Fig. 5*



*Fig. 6*

*Fig. 7*

