



US00D619397S

(12) **United States Design Patent**
Snell

(10) **Patent No.:** **US D619,397 S**
(45) **Date of Patent:** **** Jul. 13, 2010**

(54) **SOAP DISPENSER**

D581,193 S * 11/2008 Ghiorghie D6/542

(75) Inventor: **Russell Benton Snell**, Bentleyville, OH
(US)

(73) Assignee: **InterDesign, Inc.**, Solon, OH (US)

(**) Term: **14 Years**

(21) Appl. No.: **29/348,389**

(22) Filed: **Dec. 29, 2009**

(51) **LOC (9) Cl.** **23-02**

(52) **U.S. Cl.** **D6/542**

(58) **Field of Classification Search** D6/542-545;
221/281-282; 222/14, 173, 146.3, 628, 251,
222/181.1, 181.3; D9/682, 688, 690, 691,
D9/448, 449

See application file for complete search history.

(56) **References Cited**

U.S. PATENT DOCUMENTS

D477,990 S *	8/2003	Dretzka	D6/542
D477,991 S *	8/2003	Dretzka	D6/542
D484,039 S	12/2003	Dretzka		
D484,401 S *	12/2003	Dretzka	D6/542
D486,336 S	2/2004	Snell		
D530,954 S *	10/2006	Snell	D6/542
D531,843 S	11/2006	Snell		
D531,844 S	11/2006	Snell		
D537,360 S *	2/2007	Snell	D6/542
D537,361 S *	2/2007	Dretzka	D6/542
D538,092 S	3/2007	Snell		
D538,177 S *	3/2007	Dretzka	D6/542
D551,087 S *	9/2007	Snell	D6/542
D554,410 S *	11/2007	Snell	D6/542

OTHER PUBLICATIONS

2007 InterDesign, Inc. product brochure, p. 2, 3, 4, 5, 6, 7, 8, 9, 10, 12,
13, 14, 15, 17, 49 w/front & back cover.

* cited by examiner

Primary Examiner—Brian N Vinson

(74) *Attorney, Agent, or Firm*—D. Peter Hochberg; Sean F.
Mellino; Daniel J. Smola

(57) **CLAIM**

The ornamental design for a soap dispenser, as shown and
described.

DESCRIPTION

FIG. 1 is a perspective view of the soap dispenser according
to the invention;

FIG. 2 is a perspective view showing the bottom portion of the
soap dispenser as shown in FIG. 1;

FIG. 3 is a top view of the soap dispenser as shown in FIG. 1;

FIG. 4 is a side view of the soap dispenser as shown in FIG. 1;

FIG. 5 is a front view of the soap dispenser as shown in FIG.
1;

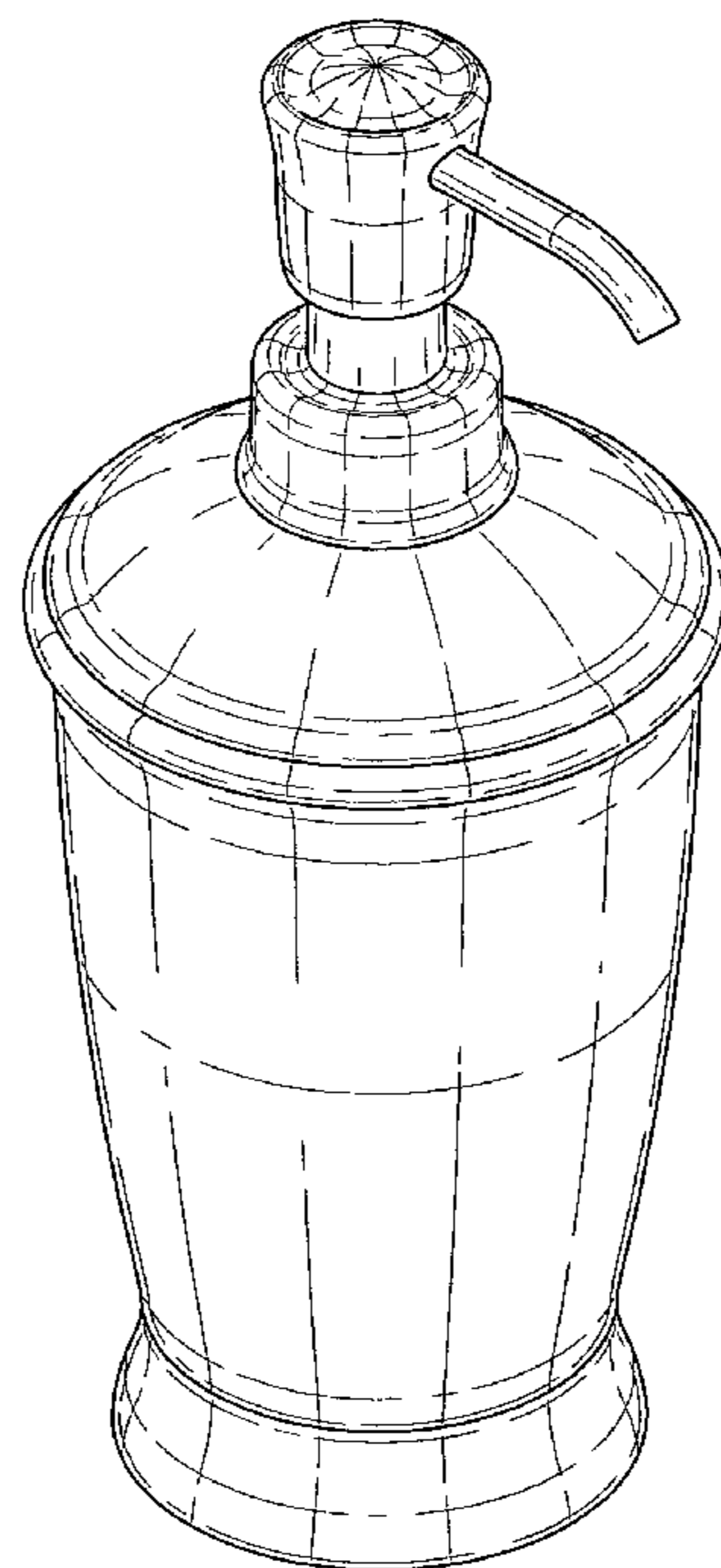
FIG. 6 is a side view of the soap dispenser as shown in FIG. 1,
shown from the opposite side as seen in FIG. 4;

FIG. 7 rear view of the soap dispenser as shown in FIG. 1;

FIG. 8 is a bottom view of the soap dispenser as shown in FIG.
1; and,

FIG. 9 is a partial section view of the bottom portion of the
soap dispenser taken along the line 9—9 as shown in FIG. 3.

1 Claim, 5 Drawing Sheets



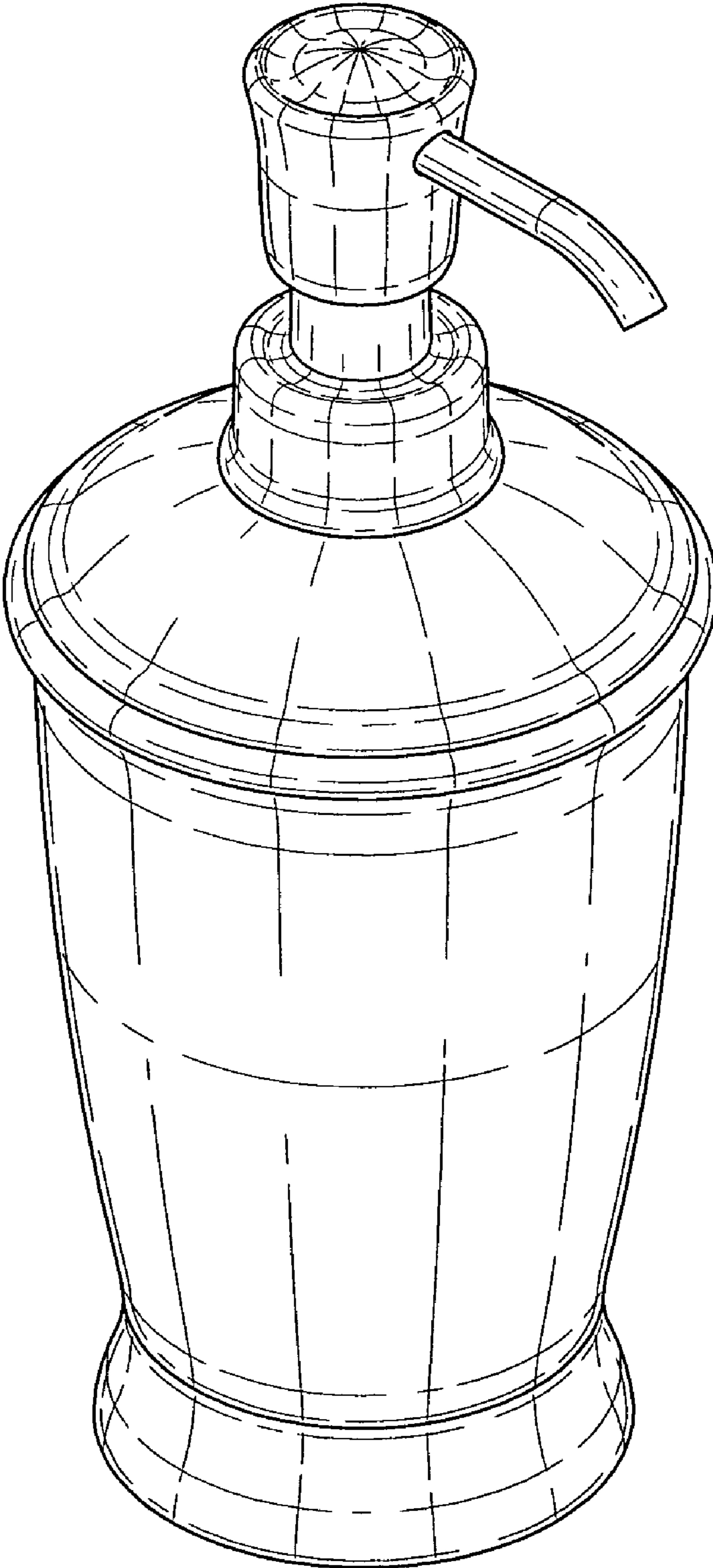


FIG-1

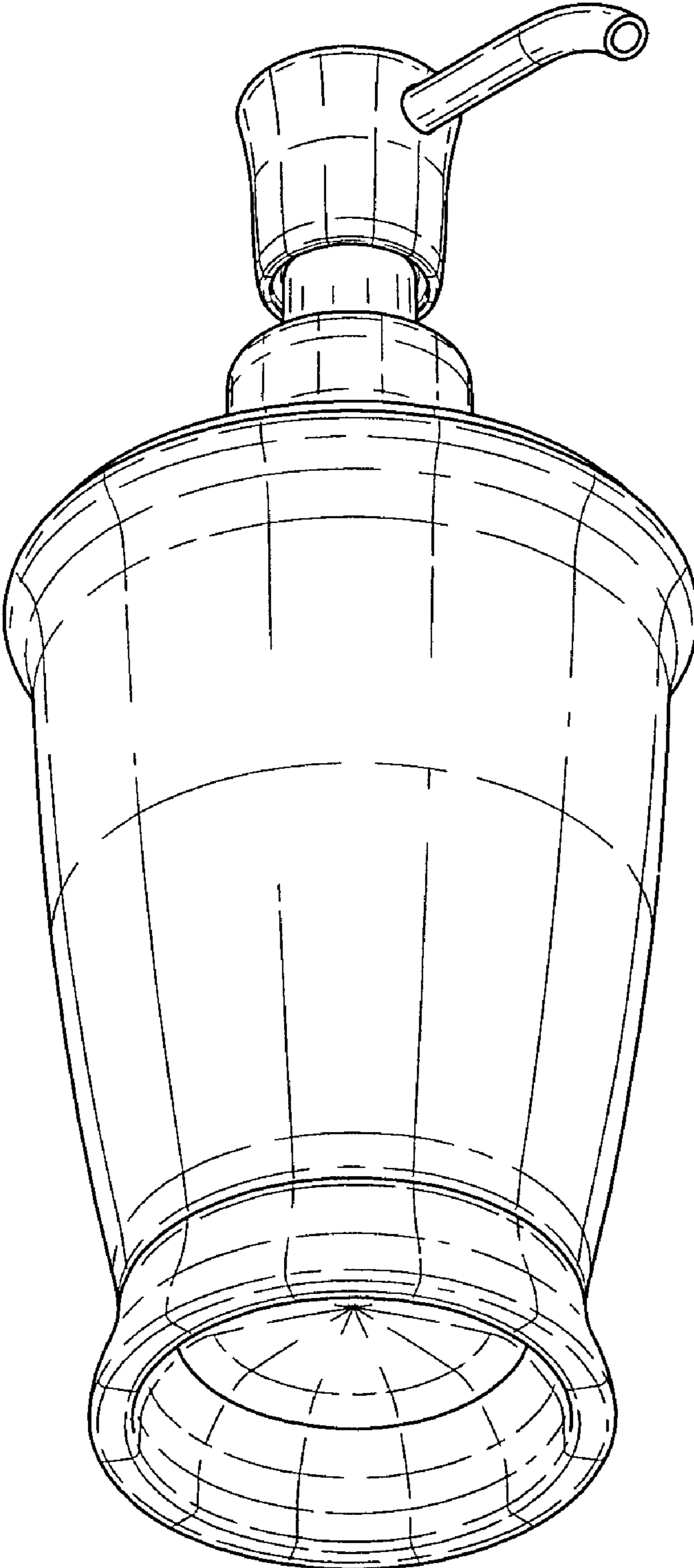


FIG-2

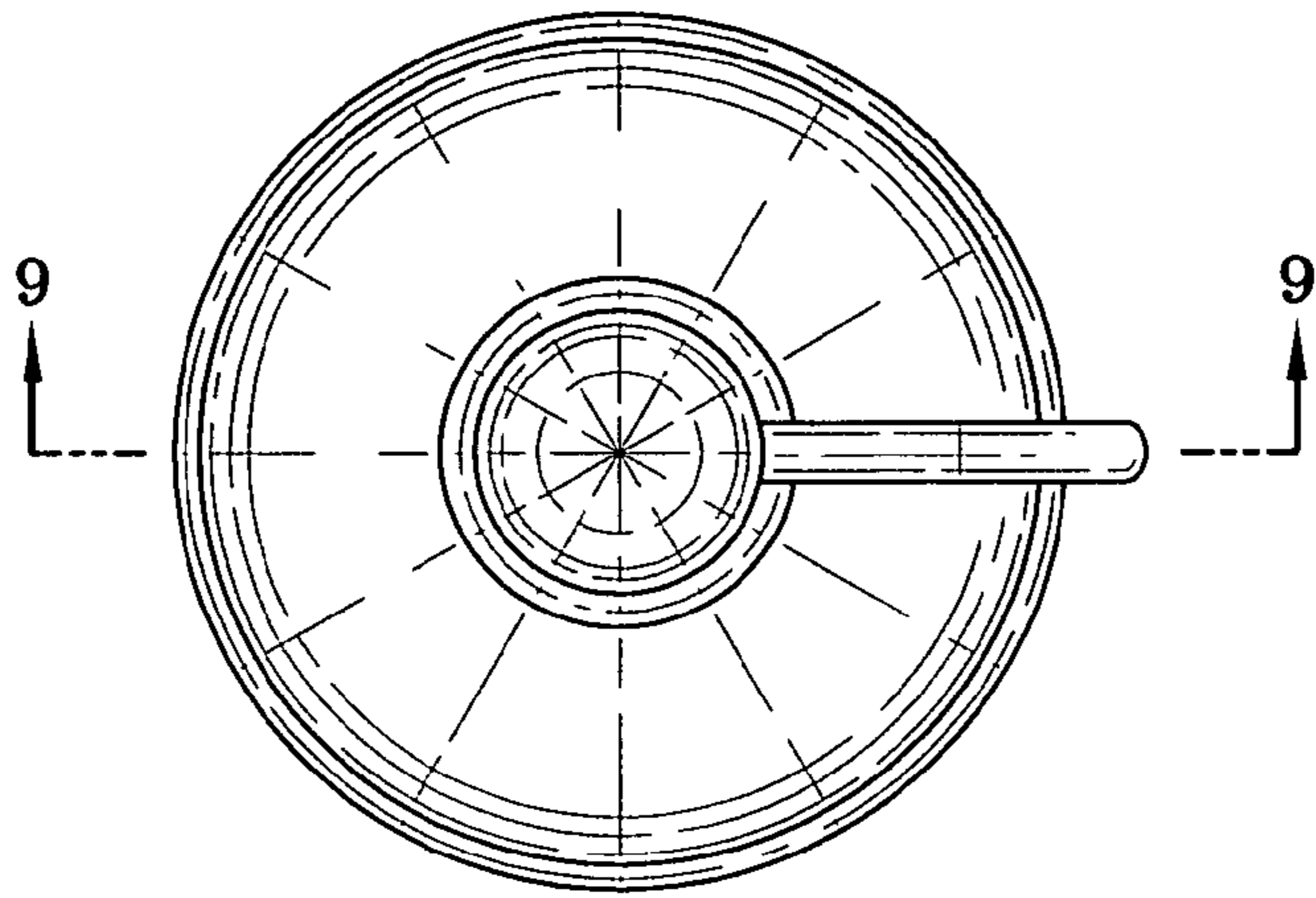


FIG-3

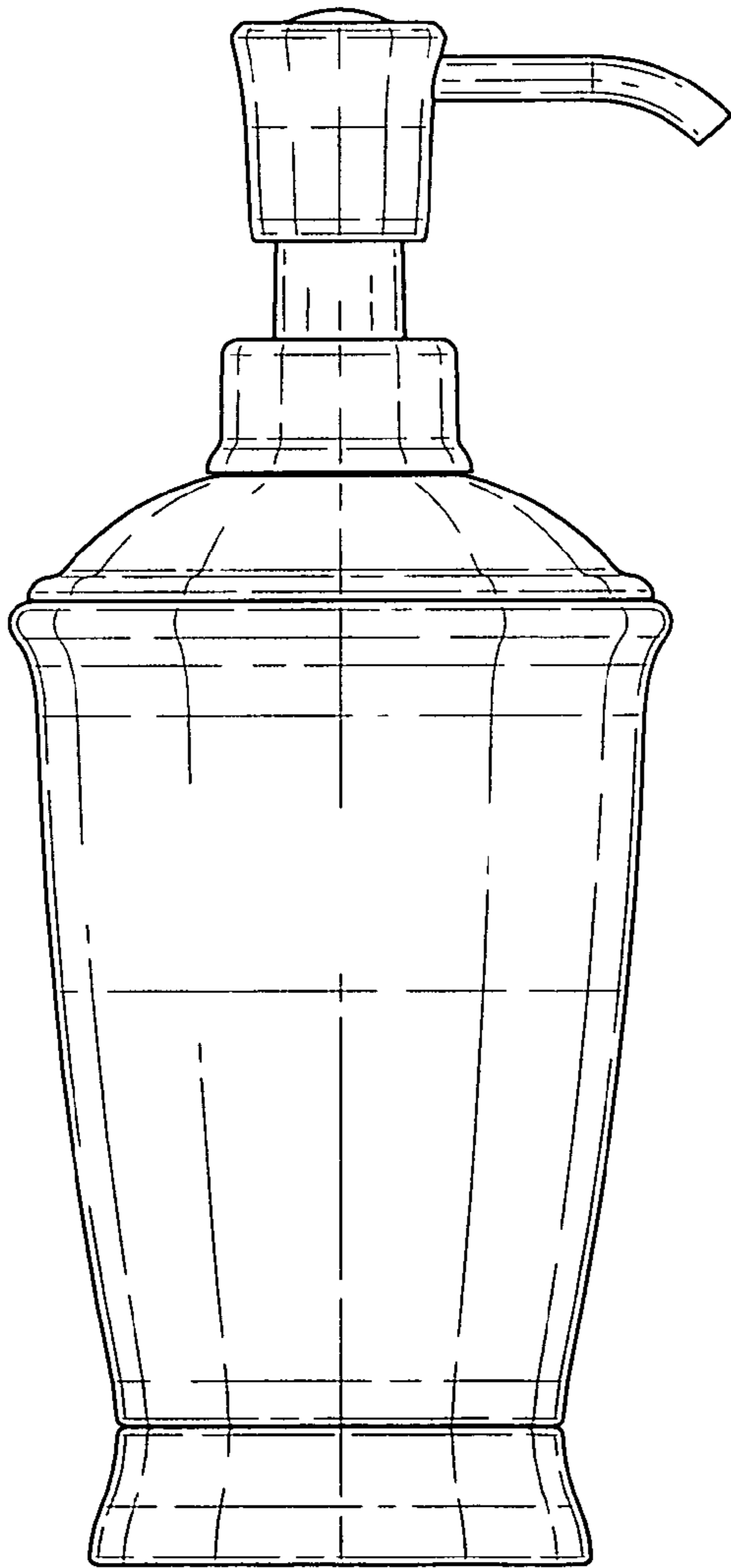


FIG-4

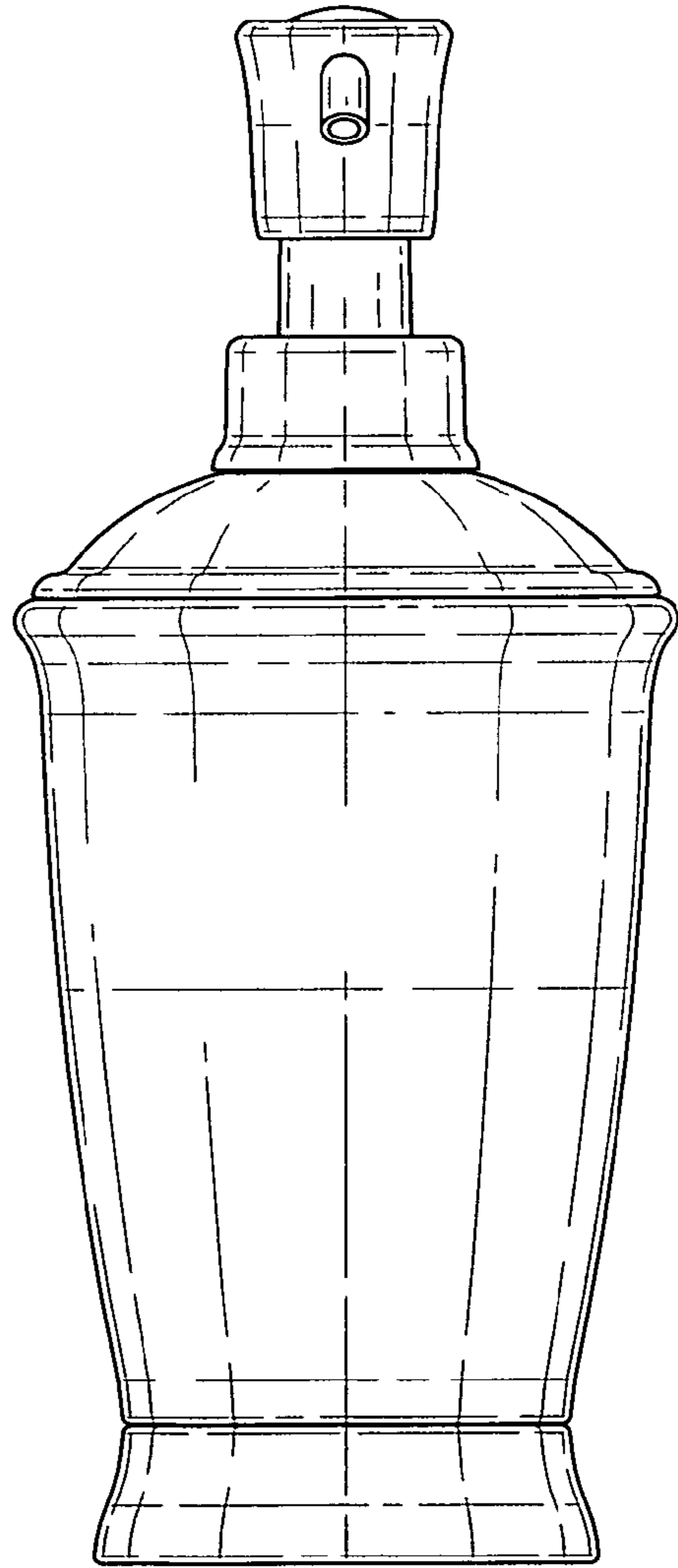


FIG-5

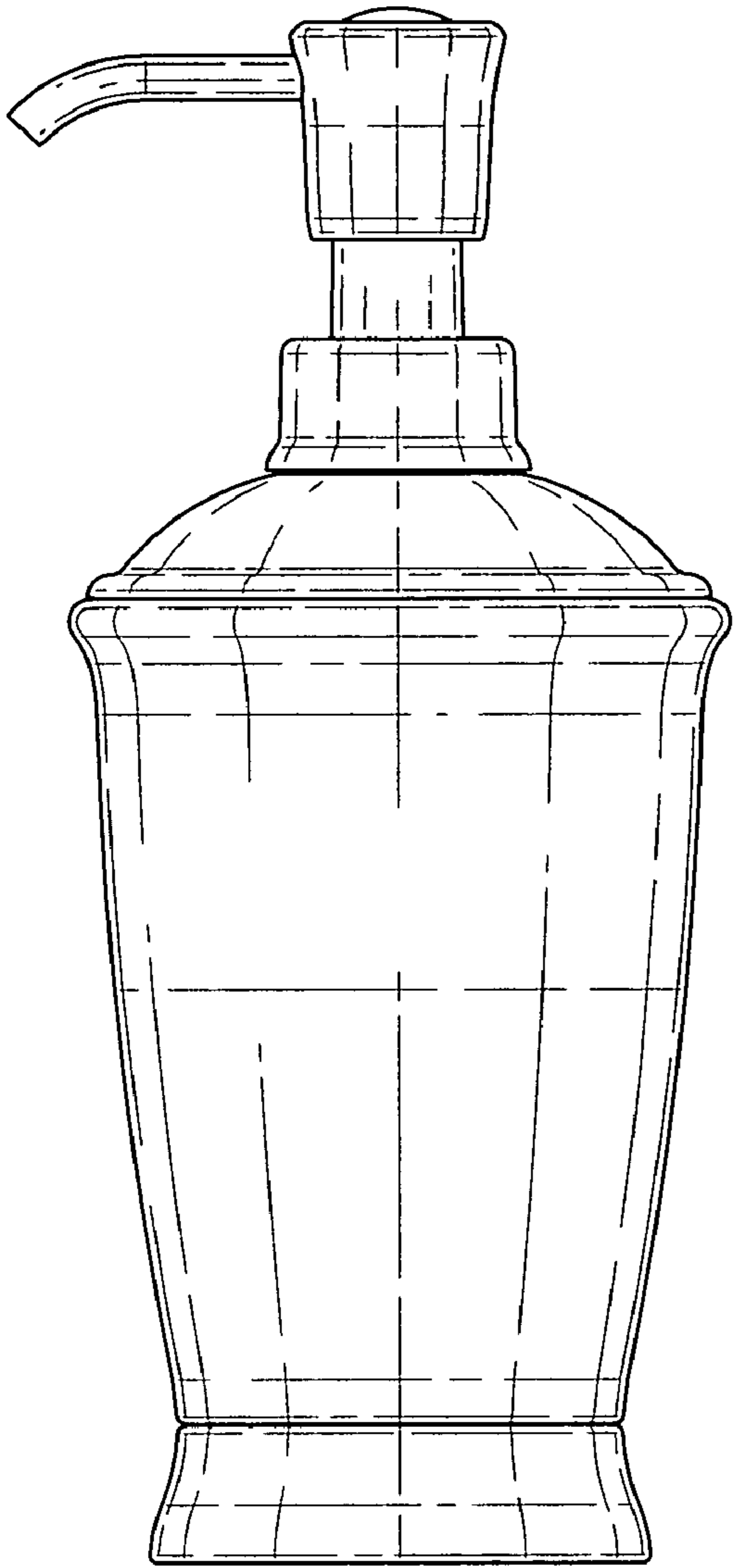


FIG-6

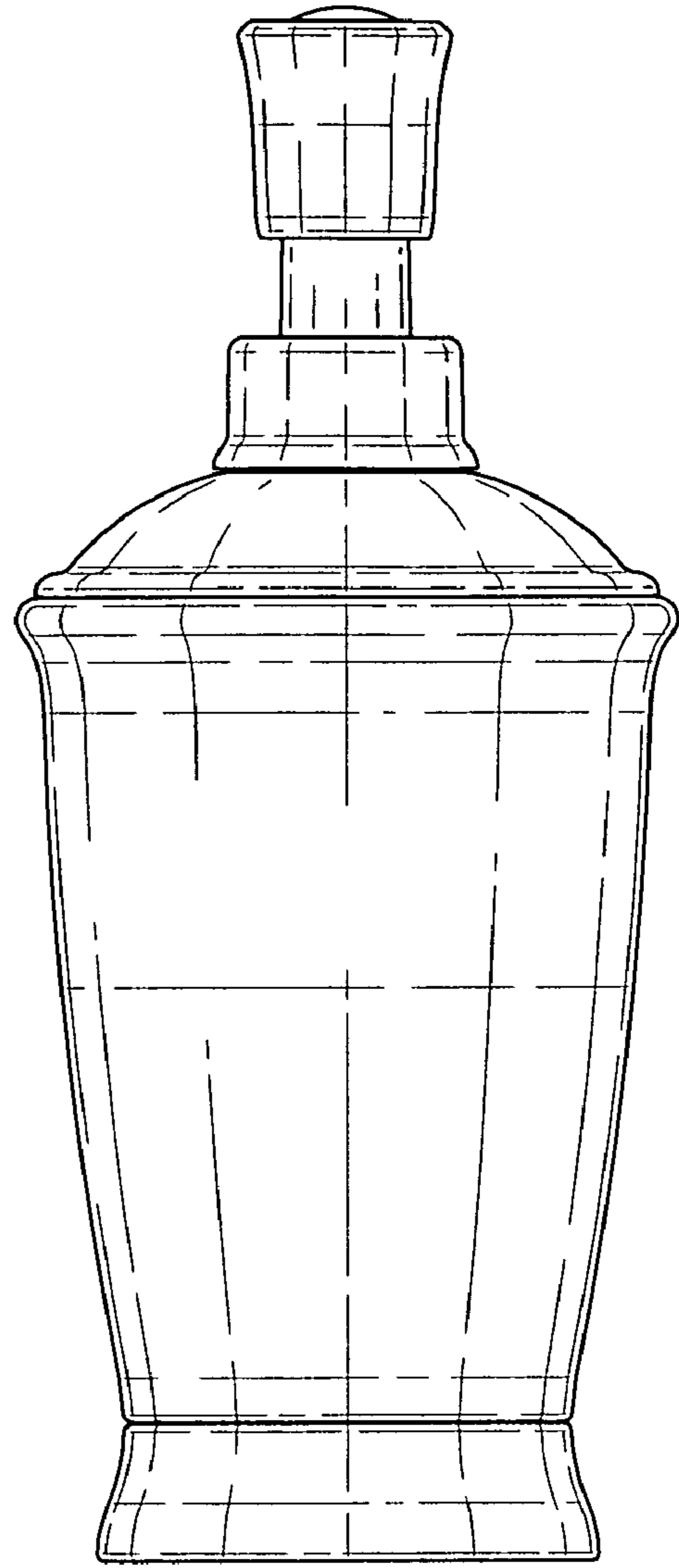


FIG-7

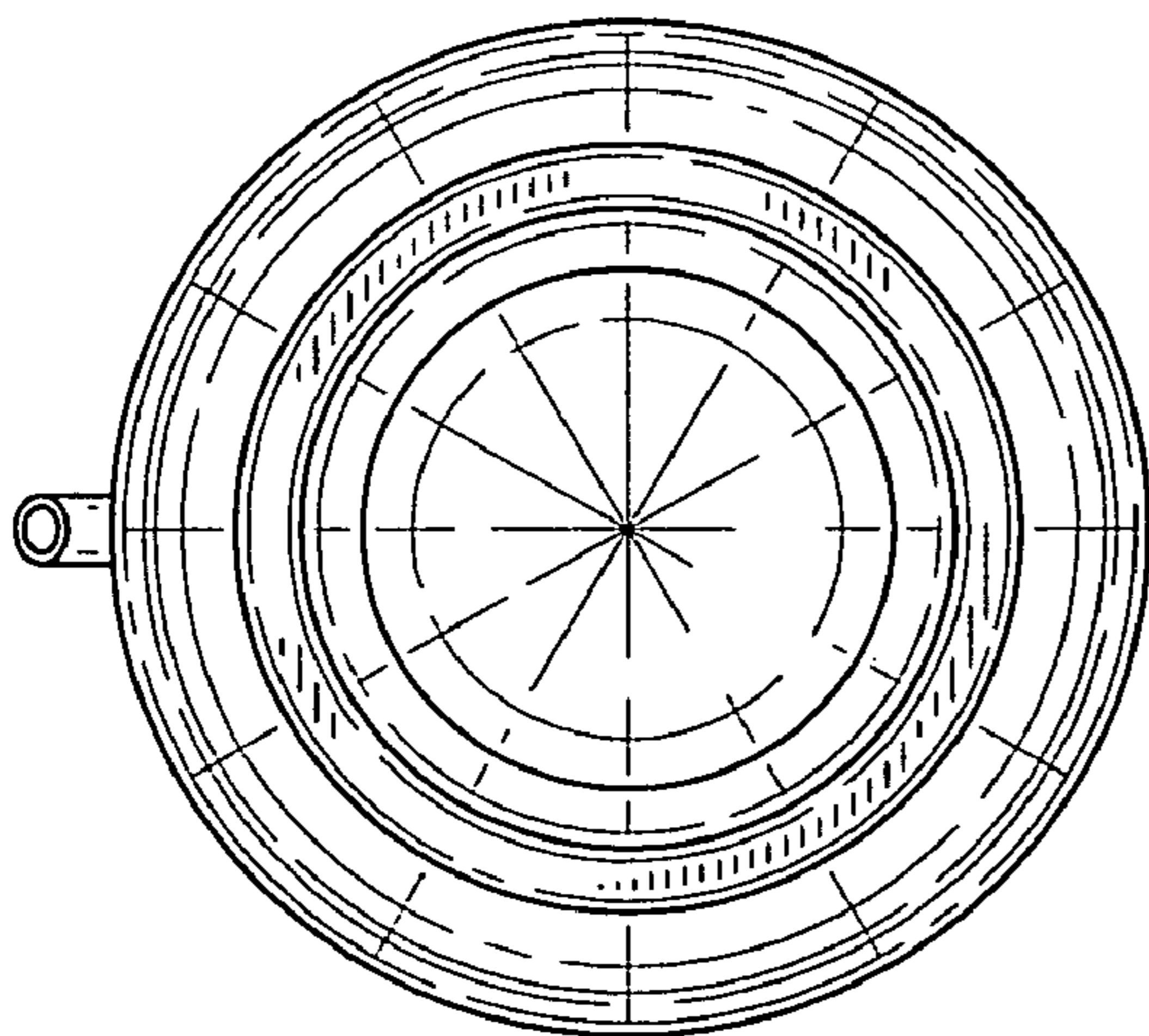


FIG-8

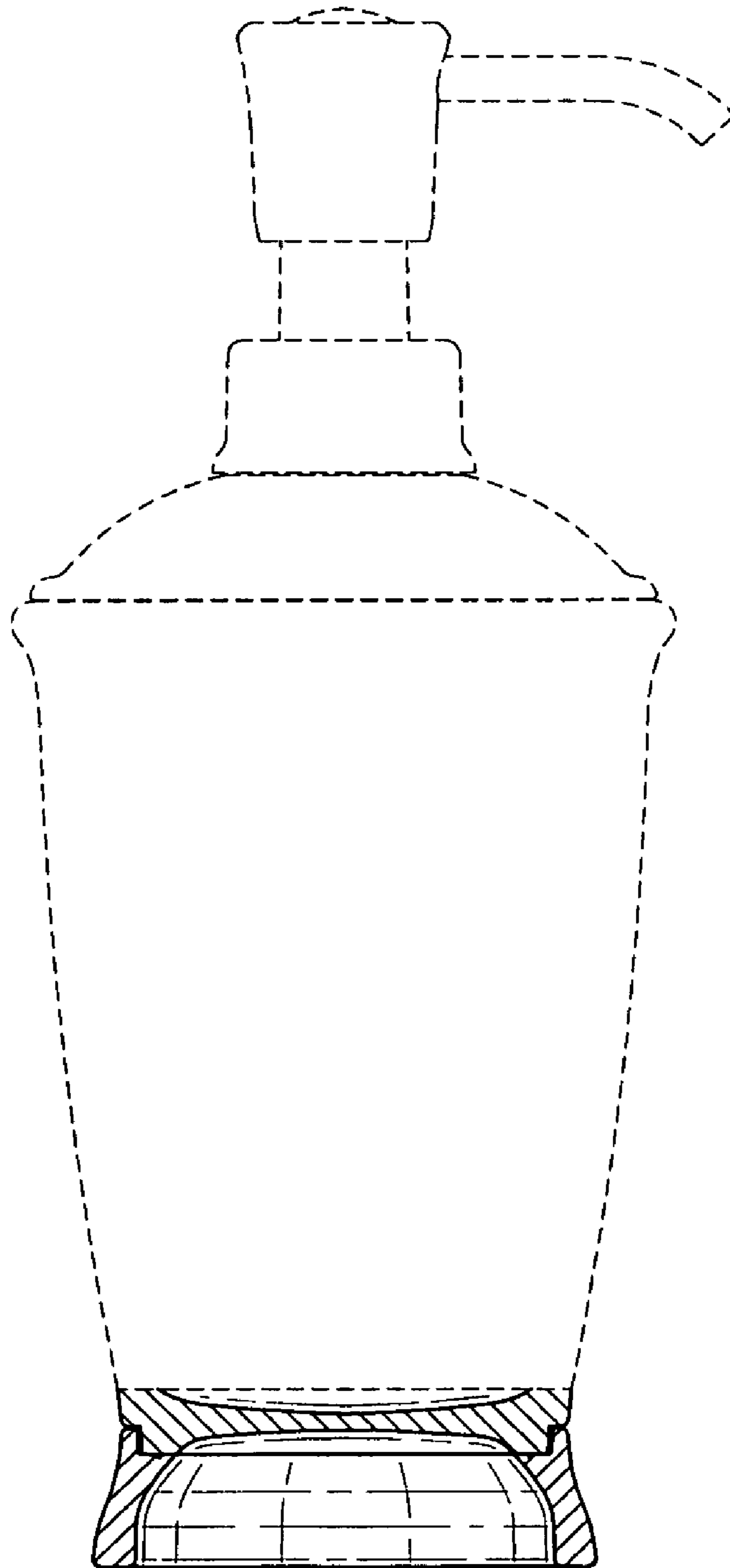


FIG-9