



US00D619393S

(12) **United States Design Patent**
Golias et al.

(10) **Patent No.:** **US D619,393 S**
(45) **Date of Patent:** **** Jul. 13, 2010**

(54) **PORTION OF A SHELF DIVIDER WALL**

(75) Inventors: **Robert J. Golias**, Solon, OH (US);
Gary W. James, Parma Heights, OH (US)

(73) Assignee: **Metal Fabricating Corporation**,
Cleveland, OH (US)

(**) Term: **14 Years**

(21) Appl. No.: **29/325,842**

(22) Filed: **Oct. 7, 2008**

(51) **LOC (9) Cl.** **06-02**

(52) **U.S. Cl.** **D6/511**

(58) **Field of Classification Search** D6/320–324,
D6/402, 411, 475, 449, 466, 491, 500–511,
D6/477–479; 108/27, 59, 108, 137; 211/14,
211/34–35, 59.2, 135, 153; 248/235, 243,
248/247

See application file for complete search history.

(56) **References Cited**

U.S. PATENT DOCUMENTS

5,073,428	A *	12/1991	Lancelot et al.	428/67
D402,643	S *	12/1998	Grassel	D14/457
D427,526	S *	7/2000	Correll	D9/433
6,287,659	B1 *	9/2001	Robbins et al.	428/43
D503,864	S *	4/2005	DiFanti	D6/491
D505,809	S *	6/2005	Cassidy et al.	D6/491
D568,645	S *	5/2008	Gore et al.	D6/509

D569,134	S *	5/2008	Puksta	D6/492
D587,562	S *	3/2009	Fernandez	D8/381
D587,939	S *	3/2009	Schloss	D6/491
D593,783	S *	6/2009	Golias et al.	D6/511
2009/0159763	A1 *	6/2009	Kim	248/174

* cited by examiner

Primary Examiner—Elizabeth A Albert

Assistant Examiner—Kelley A Donnelly

(74) *Attorney, Agent, or Firm*—Fay Sharpe LLP

(57) **CLAIM**

The ornamental design for a portion of a shelf divider wall, as shown and described.

DESCRIPTION

FIG. 1 is a top perspective view of a portion of a shelf divider wall;

FIG. 2 is a right side elevation view of the shelf divider wall; the left side elevation view being a mirror image thereof;

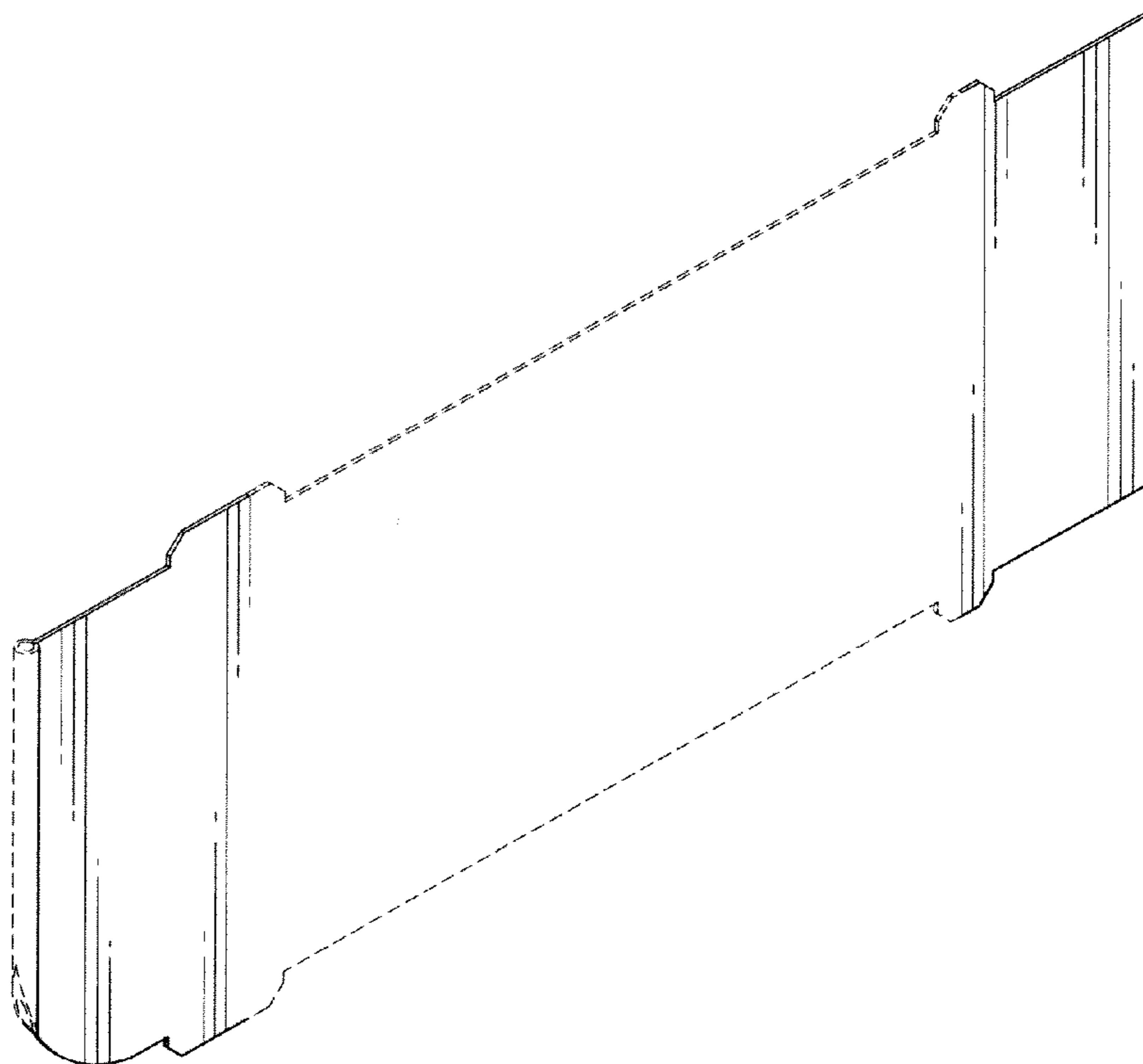
FIG. 3 is a front elevation view of the shelf divider wall of FIG. 1;

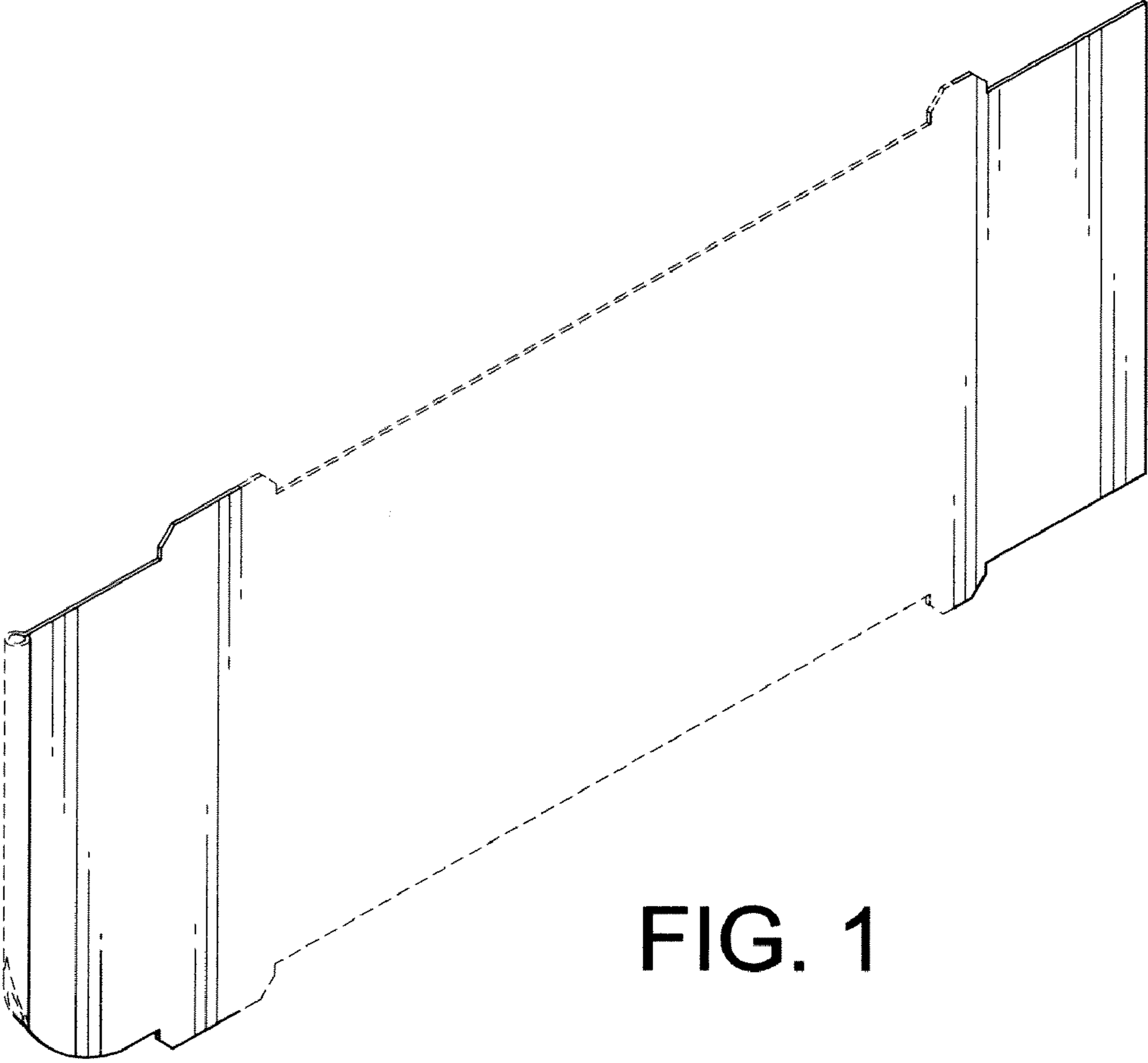
FIG. 4 is a back elevation view of the shelf divider wall of FIG. 1; and,

FIG. 5 is a bottom elevation view of the shelf divider wall of FIG. 1.

The dashed broken lines in FIGS. 1–5 represent environmental subject matter and form no part of the claimed invention.

1 Claim, 2 Drawing Sheets





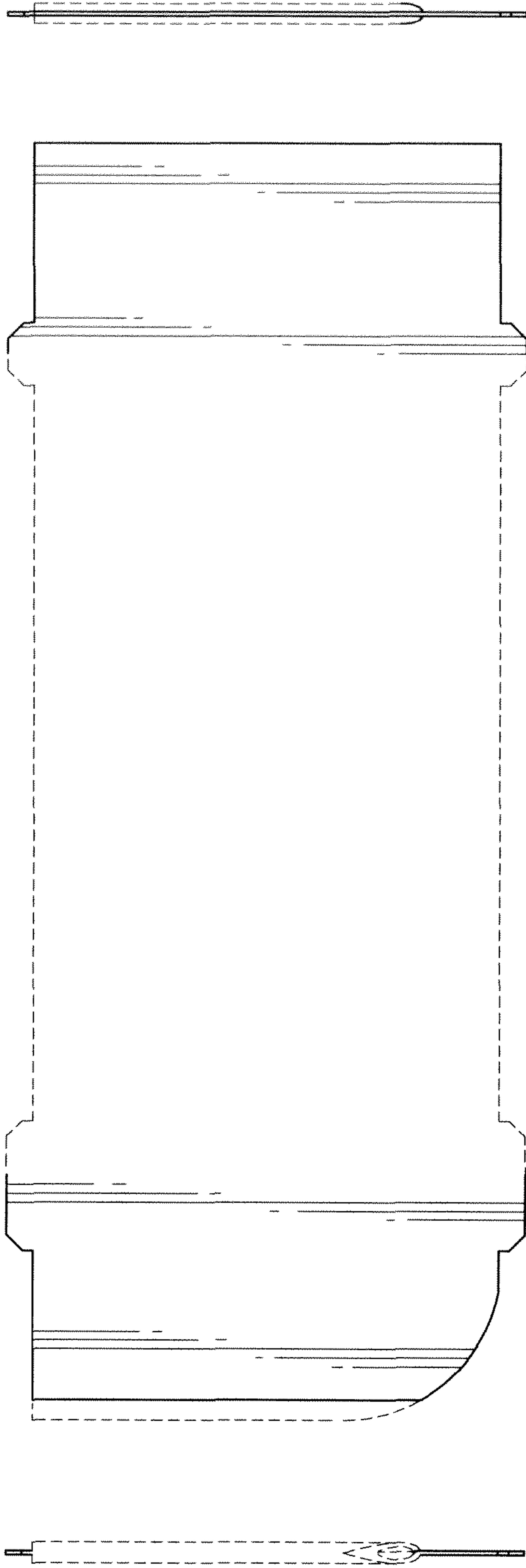


FIG. 3

FIG. 2

FIG. 4

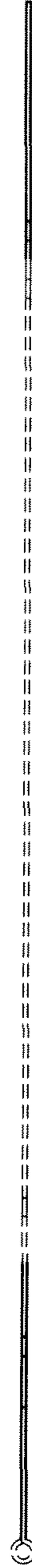


FIG. 5