



US00D619389S

(12) **United States Design Patent**  
**Mead et al.**

(10) **Patent No.:** **US D619,389 S**  
(45) **Date of Patent:** **\*\* Jul. 13, 2010**

(54) **WORKSTATION**

D414,350 S 9/1999 Fear et al.  
5,947,569 A 9/1999 Rheault et al.

(75) Inventors: **Karl J. Mead**, East Grand Rapids, MI (US); **Alan E. Rheault**, Grand Rapids, MI (US); **George K. Vangelatos**, Fair Oaks, CA (US)

(Continued)

(73) Assignee: **Steelcase Inc.**, Grand Rapids, MI (US)

**OTHER PUBLICATIONS**

(\*\*) Term: **14 Years**

Ikea 2001 catalog, p. 50, table top shape at far right and 4<sup>th</sup> from the bottom.\*

(21) Appl. No.: **29/335,630**

(Continued)

(22) Filed: **Apr. 17, 2009**

*Primary Examiner*—Janice E Seeger

(51) **LOC (9) Cl.** ..... **06-03**

(52) **U.S. Cl.** ..... **D6/482; D6/423**

(58) **Field of Classification Search** ..... D6/480–489,  
D6/429–431, 511, 495, 496; 108/150, 151,  
108/152, 153.1, 157.1, 161, 64, 66; 248/188,  
248/188.1, 188.8

(74) *Attorney, Agent, or Firm*—Price, Heneveld, Cooper, DeWitt & Litton, LLP

See application file for complete search history.

(57) **CLAIM**

We claim the ornamental design for a workstation, as shown.

(56) **References Cited**

**DESCRIPTION**

**U.S. PATENT DOCUMENTS**

2,640,750 A *	6/1953	Rohde	108/161
D278,583 S	4/1985	Koguma	
D279,740 S	7/1985	Slager	
D302,085 S *	7/1989	Tingley	D6/421
4,879,955 A *	11/1989	Moll et al.	108/50.02
D305,585 S	1/1990	Wright	
D331,672 S *	12/1992	Brodbeck	D6/421
D335,054 S *	4/1993	Hollington	D6/486
5,224,429 A	7/1993	Borgman et al.	
5,323,695 A	6/1994	Borgman et al.	
5,394,809 A	3/1995	Feldpausch et al.	
D371,699 S	7/1996	Muller-Deisig et al.	
D372,817 S	8/1996	Stevens	
D377,873 S	2/1997	Flotto	
5,609,112 A	3/1997	Meyer et al.	
5,752,449 A	5/1998	Simon et al.	
5,842,425 A	12/1998	van der Aa	
D408,652 S	4/1999	Muller	
5,901,513 A	5/1999	Mollenkopf et al.	
5,911,178 A	6/1999	Alexander	

FIG. 1 is a perspective view of a top, front and right side of a second embodiment of the workstation;

FIG. 2 is a front elevational view of the second embodiment of the workstation;

FIG. 3 is a rear elevational view of the second embodiment of the workstation;

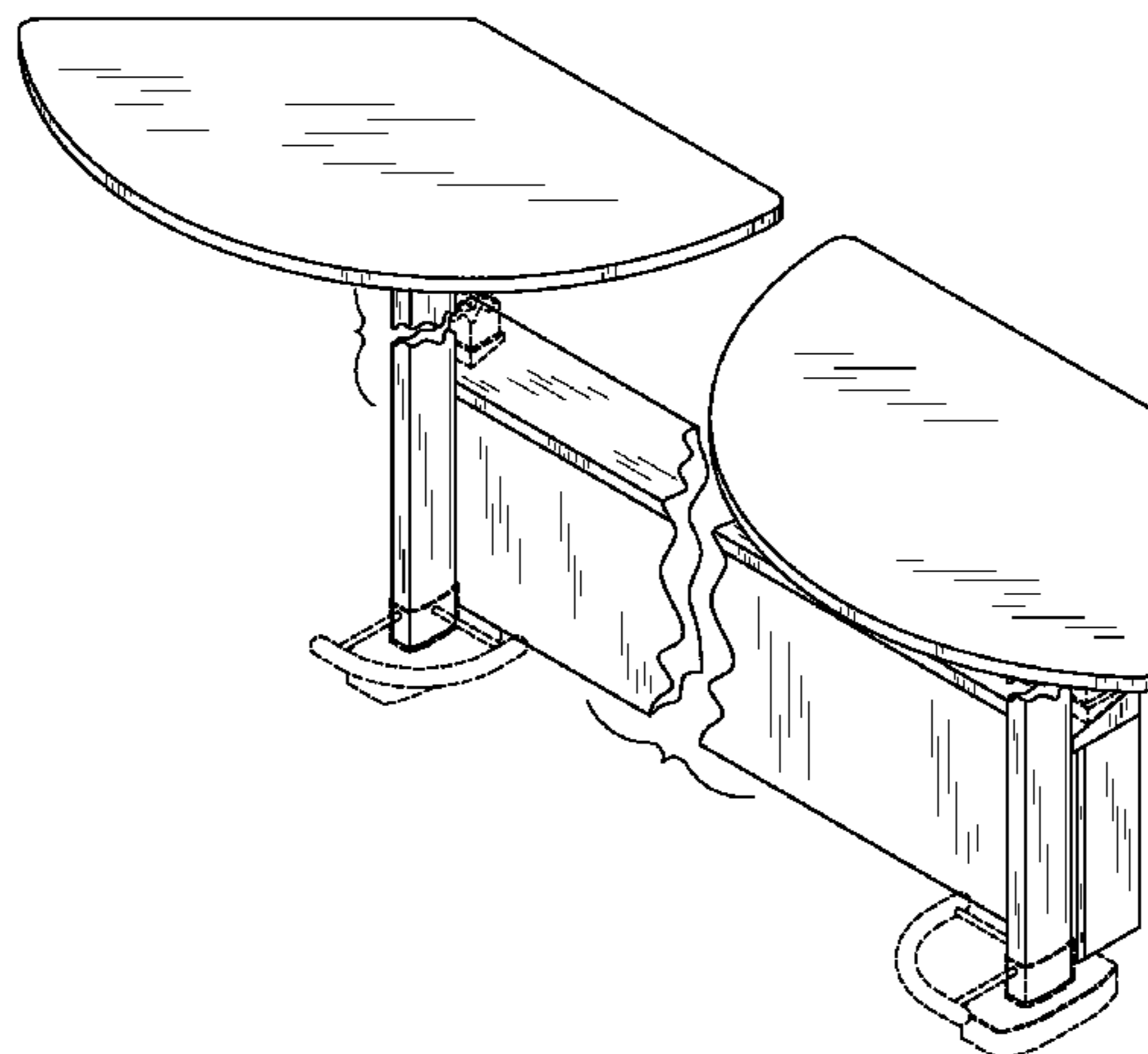
FIG. 4 is left side elevational view of the second embodiment of the workstation;

FIG. 5 is a right side elevational view of the second embodiment of the workstation;

FIG. 6 is a top plan view of the second embodiment of the workstation; and,

FIG. 7 is a bottom plan view of the second embodiment of the workstation.

**1 Claim, 3 Drawing Sheets**



# US D619,389 S

Page 2

## U.S. PATENT DOCUMENTS

D415,375	S	*	10/1999	McCrackin et al. ....	D6/511
5,974,985	A		11/1999	Flototto et al.	
D422,429	S		4/2000	Belka et al.	
6,101,954	A		8/2000	Rein et al.	
6,145,448	A		11/2000	Marschand et al.	
6,161,487	A		12/2000	Chang	
D436,267	S	*	1/2001	Beunen .....	D6/483
6,267,064	B1		7/2001	Ostertag et al.	
6,283,043	B1		9/2001	Stern et al.	
6,286,441	B1		9/2001	Burdi et al.	
6,374,548	B1		4/2002	Ruedinger et al.	
6,732,660	B2		5/2004	Dame et al.	
D496,536	S		9/2004	Chang	
7,036,438	B2		5/2006	Okamoto et al.	
D528,822	S	*	9/2006	Newhouse .....	D6/429
D547,971	S		8/2007	Lachance et al.	
7,278,360	B2		10/2007	Griepentrog	
D554,921	S	*	11/2007	Gordon et al. ....	D6/511
7,357,086	B2		4/2008	Petrick et al.	
D569,142	S		5/2008	Burak	
D175,651	S		11/2009	Schwartz	
2005/0248239	A1	*	11/2005	Newhouse et al. ....	312/194
2007/0068429	A1		3/2007	Frazier	

## OTHER PUBLICATIONS

Brisk Desk Systems, Sep. 12, 2000, tabletop angle 120, at far left and 2<sup>nd</sup> from the bottom.\*

\* cited by examiner

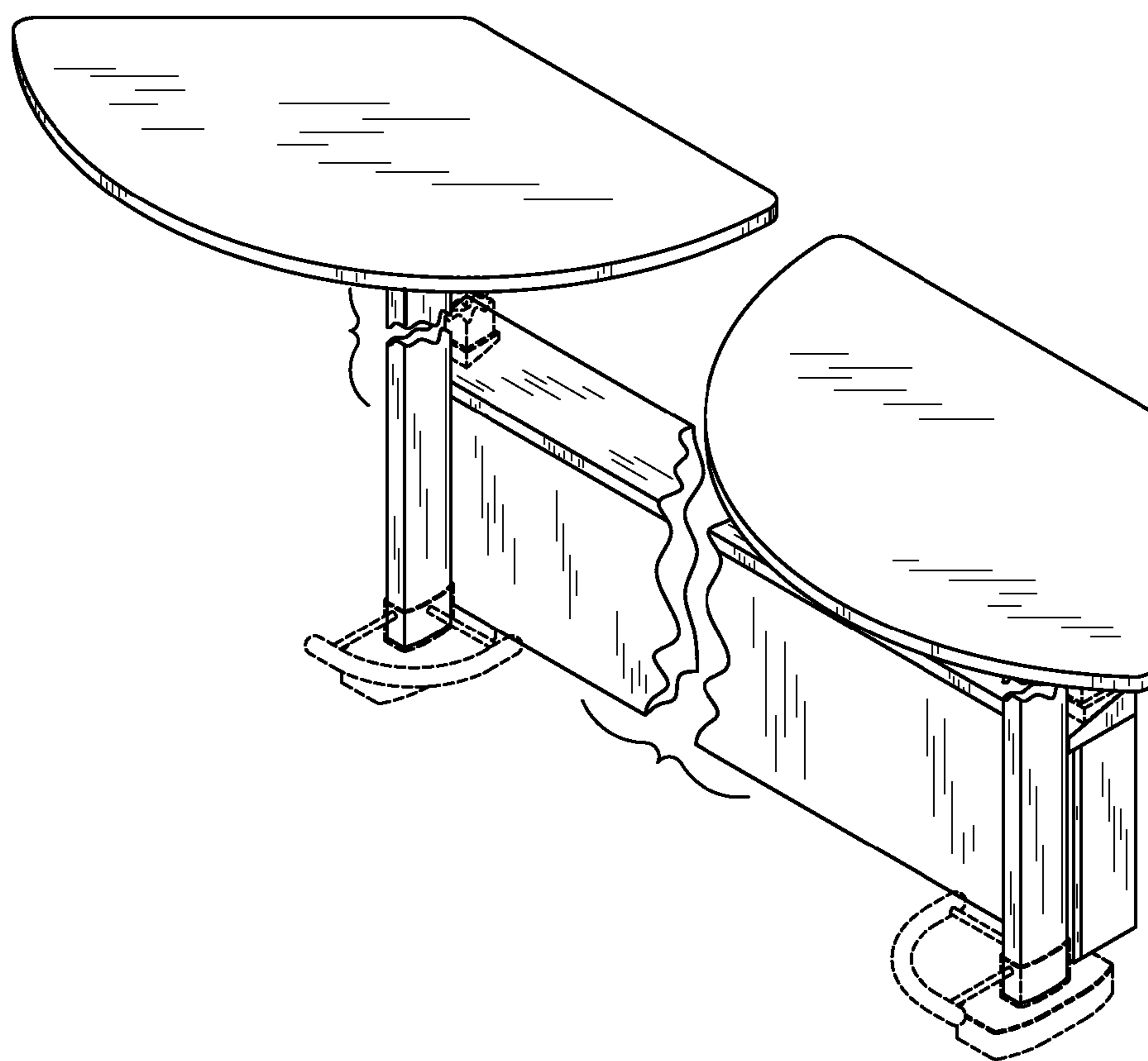


FIG. 1

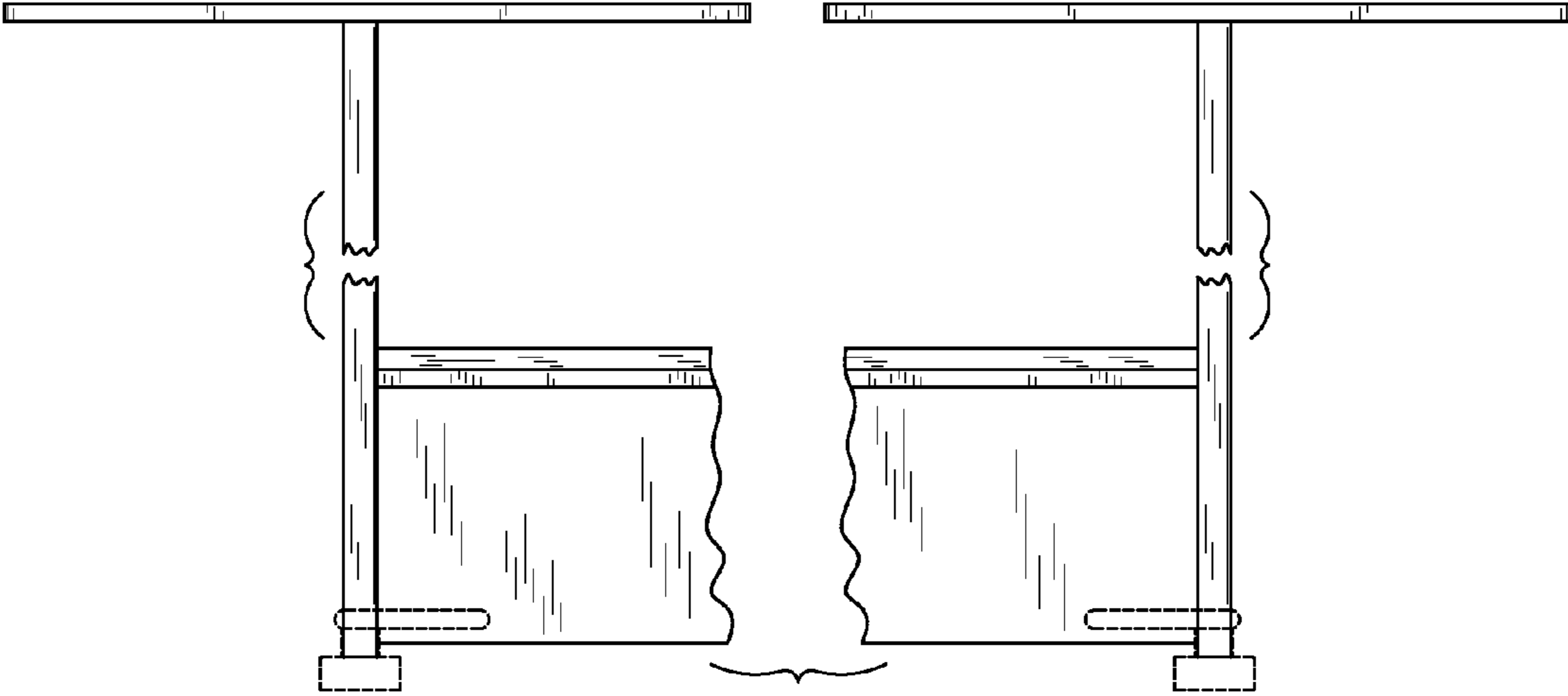


FIG. 2

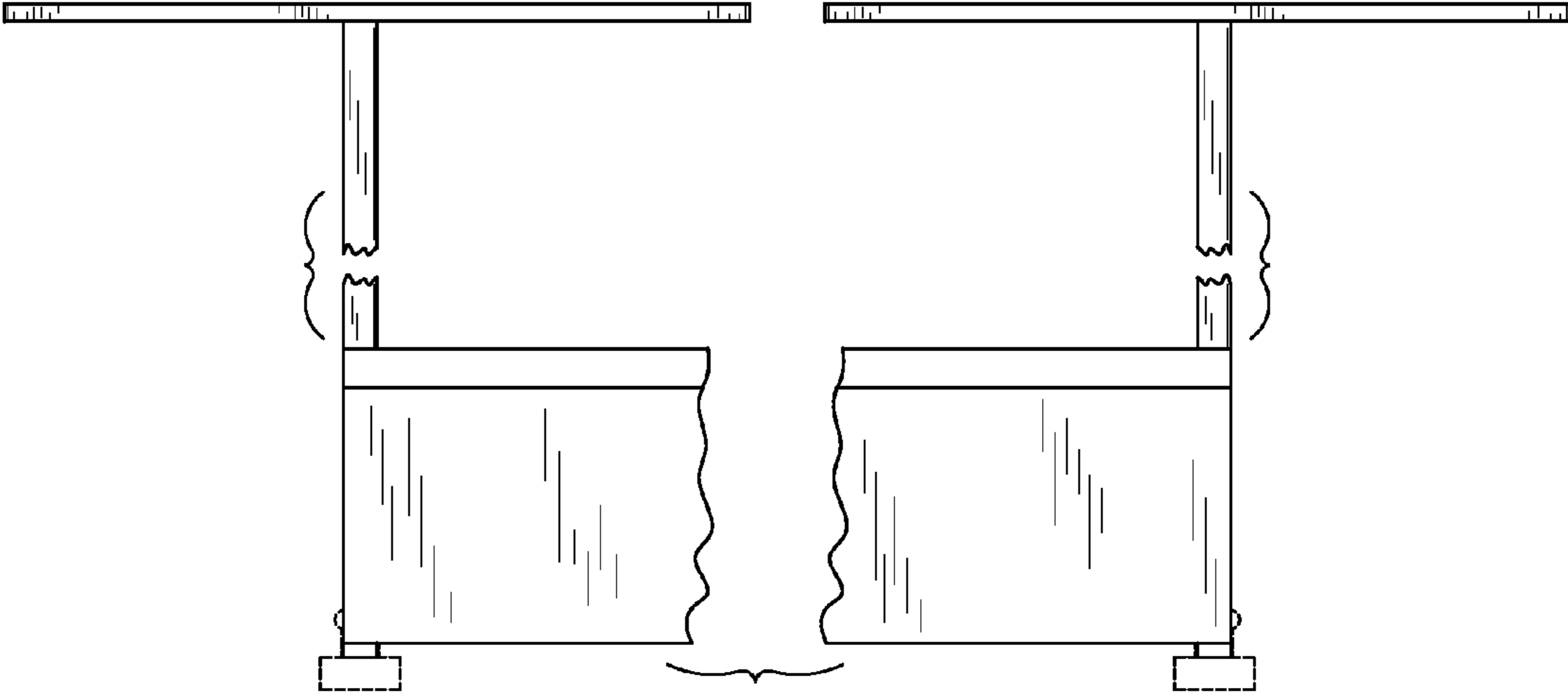


FIG. 3

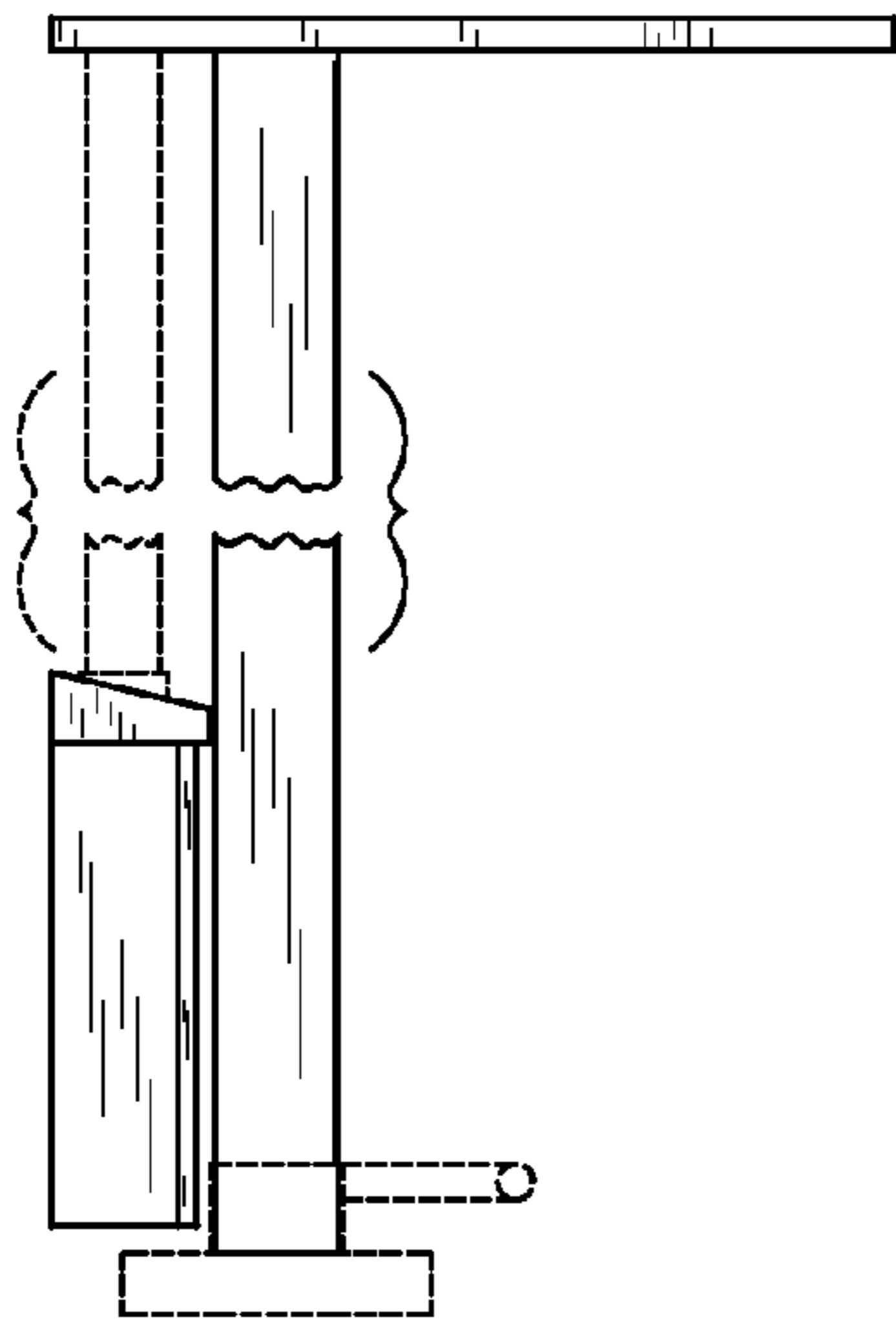


FIG. 4

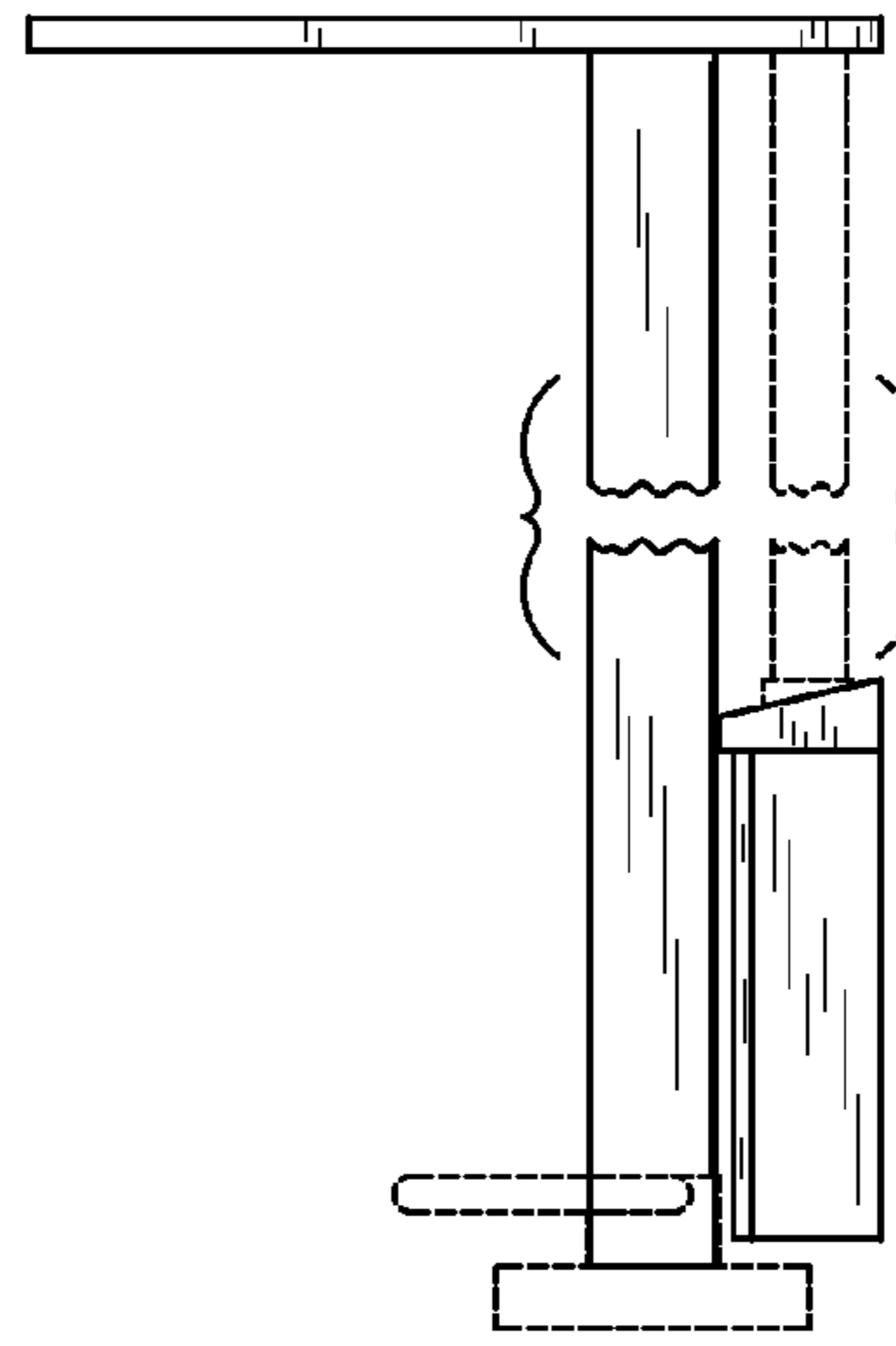


FIG. 5

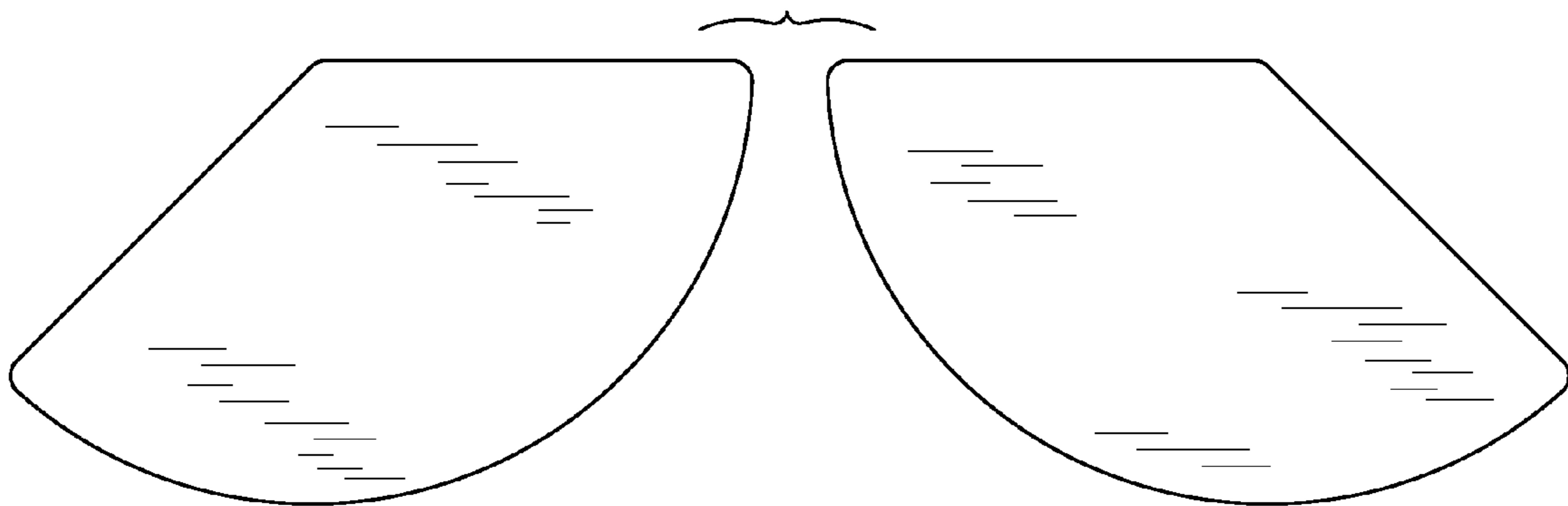


FIG. 6



FIG. 7