



US00D619388S

(12) **United States Design Patent**
Mead et al.

(10) **Patent No.:** **US D619,388 S**
(45) **Date of Patent:** **** Jul. 13, 2010**

(54) **WORKSTATION**

(75) Inventors: **Karl J. Mead**, East Grand Rapids, MI (US); **Alan E. Rheault**, Grand Rapids, MI (US); **George K. Vangelatos**, Fair Oaks, CA (US)

(73) Assignee: **Steelcase Inc.**, Grand Rapids, MI (US)

(**) Term: **14 Years**

(21) Appl. No.: **29/335,628**

(22) Filed: **Apr. 17, 2009**

(51) **LOC (9) Cl.** **06-03**

(52) **U.S. Cl.** **D6/482**

(58) **Field of Classification Search** D6/480-489,
D6/429-431, 511, 495, 496, 477; 108/150,
108/151, 152, 153.1, 157.1, 161, 64, 66;
248/188, 188.1, 188.8

See application file for complete search history.

(56) **References Cited**

U.S. PATENT DOCUMENTS

D166,377 S *	4/1952	Curtis	D6/477
D175,651 S	9/1955	Schwartz		
D278,583 S	4/1985	Koguma		
D279,740 S	7/1985	Slager		
D305,585 S	1/1990	Wright		
5,224,429 A	7/1993	Borgman et al.		
5,323,695 A	6/1994	Borgman et al.		
5,394,809 A	3/1995	Feldpausch et al.		
D366,787 S *	2/1996	Konecny	D6/474
D371,699 S	7/1996	Muller-Deisig et al.		
D372,817 S	8/1996	Stevens		
D377,873 S	2/1997	Flototto		
5,609,112 A	3/1997	Meyer et al.		
5,752,449 A	5/1998	Simon et al.		
5,842,425 A	12/1998	van der Aa		
D408,652 S	4/1999	Muller		
5,901,513 A	5/1999	Mollenkopf et al.		
5,911,178 A	6/1999	Alexander		
D414,350 S	9/1999	Fear et al.		
5,947,569 A	9/1999	Rheault et al.		

5,974,985 A	11/1999	Flototto et al.
D422,429 S	4/2000	Belka et al.
6,101,954 A	8/2000	Rein et al.
6,145,448 A	11/2000	Marschand et al.
6,161,487 A	12/2000	Chang
6,267,064 B1	7/2001	Ostertag et al.
6,283,043 B1	9/2001	Stern et al.
6,286,441 B1	9/2001	Burdi et al.
6,374,548 B1	4/2002	Ruedinger et al.

(Continued)

Primary Examiner—Janice E Seeger
(74) *Attorney, Agent, or Firm*—Price, Heneveld, Cooper, DeWitt & Litton, LLP

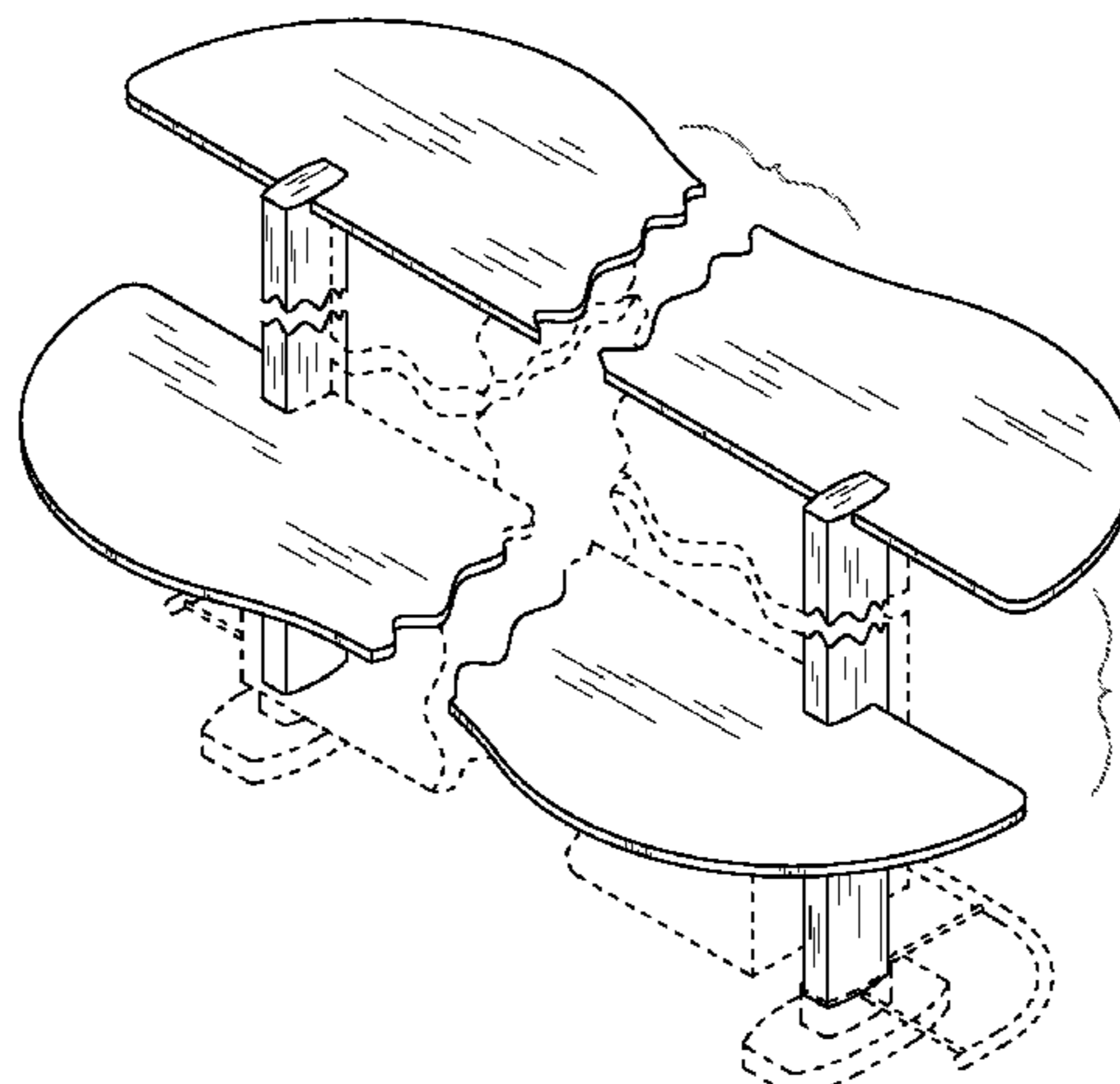
(57) **CLAIM**

We claim the ornamental design for a workstation, as shown.

DESCRIPTION

FIG. 1 is a perspective view of a top and front of a workstation;
FIG. 2 is a front elevational view of the first embodiment of a workstation;
FIG. 3 is a rear elevational view of the first embodiment of a workstation;
FIG. 4 is right side elevational view of the first embodiment of a workstation;
FIG. 5 is a left side elevational view of the first embodiment of a workstation;
FIG. 6 is a top plan view of the first embodiment of a workstation; and,
FIG. 7 is a bottom plan view of the first embodiment of a workstation.

1 Claim, 3 Drawing Sheets



US D619,388 S

Page 2

U.S. PATENT DOCUMENTS

D489,562 S *	5/2004	Kwok	D6/629	D547,971 S	8/2007	Lachance et al.	
6,732,660 B2	5/2004	Dame et al.		7,278,360 B2	10/2007	Griepentrog	
D496,536 S	9/2004	Chang		D562,028 S *	2/2008	Loeb	D6/423
7,036,438 B2	5/2006	Okamoto et al.		7,357,086 B2	4/2008	Petrick et al.	
D528,822 S *	9/2006	Newhouse	D6/429	D569,142 S	5/2008	Burak	
D530,546 S *	10/2006	Muller	D6/482	2005/0248239 A1 *	11/2005	Newhouse et al.	312/194
				2007/0068429 A1	3/2007	Frazier	

* cited by examiner

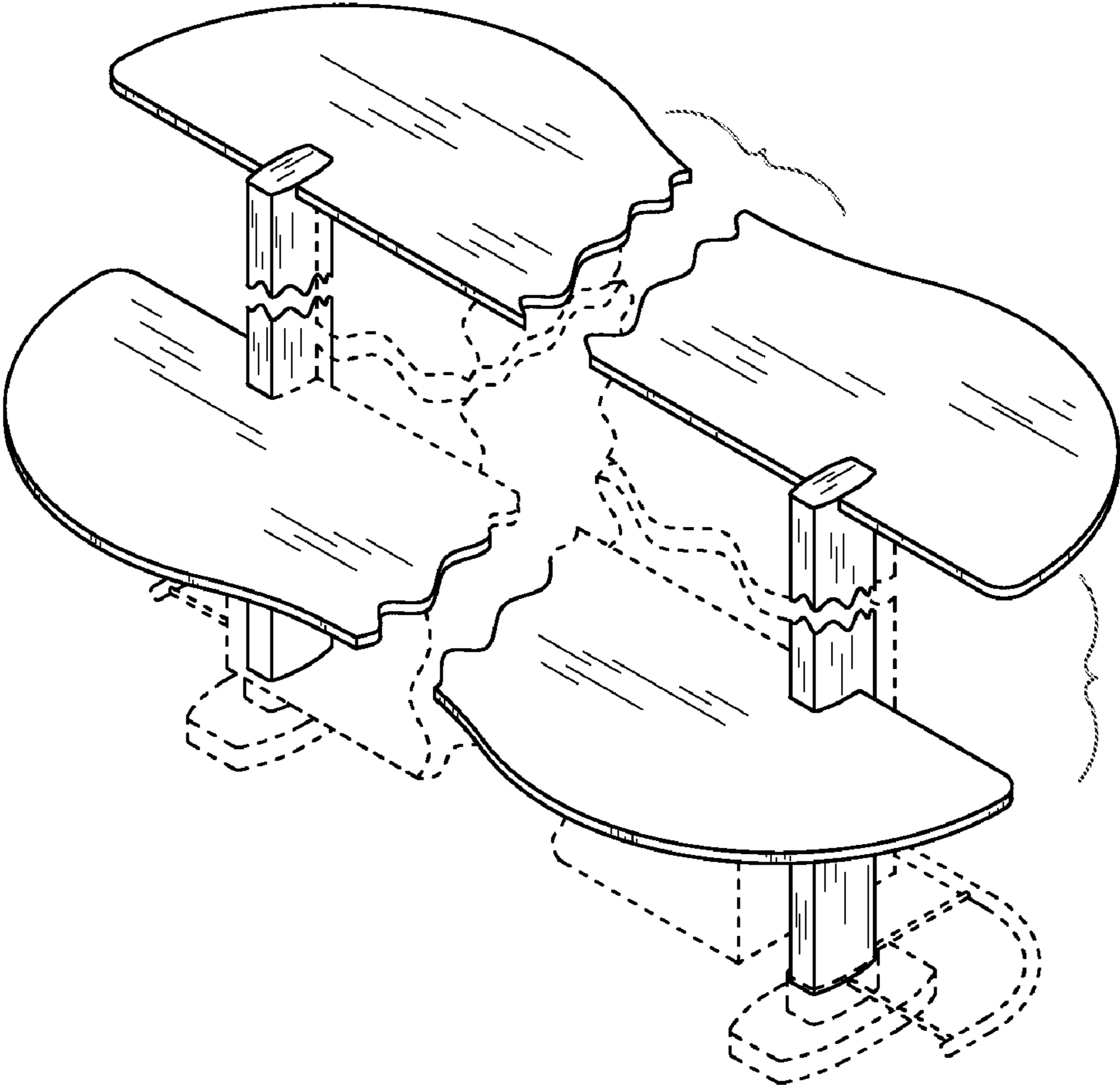


FIG. 1

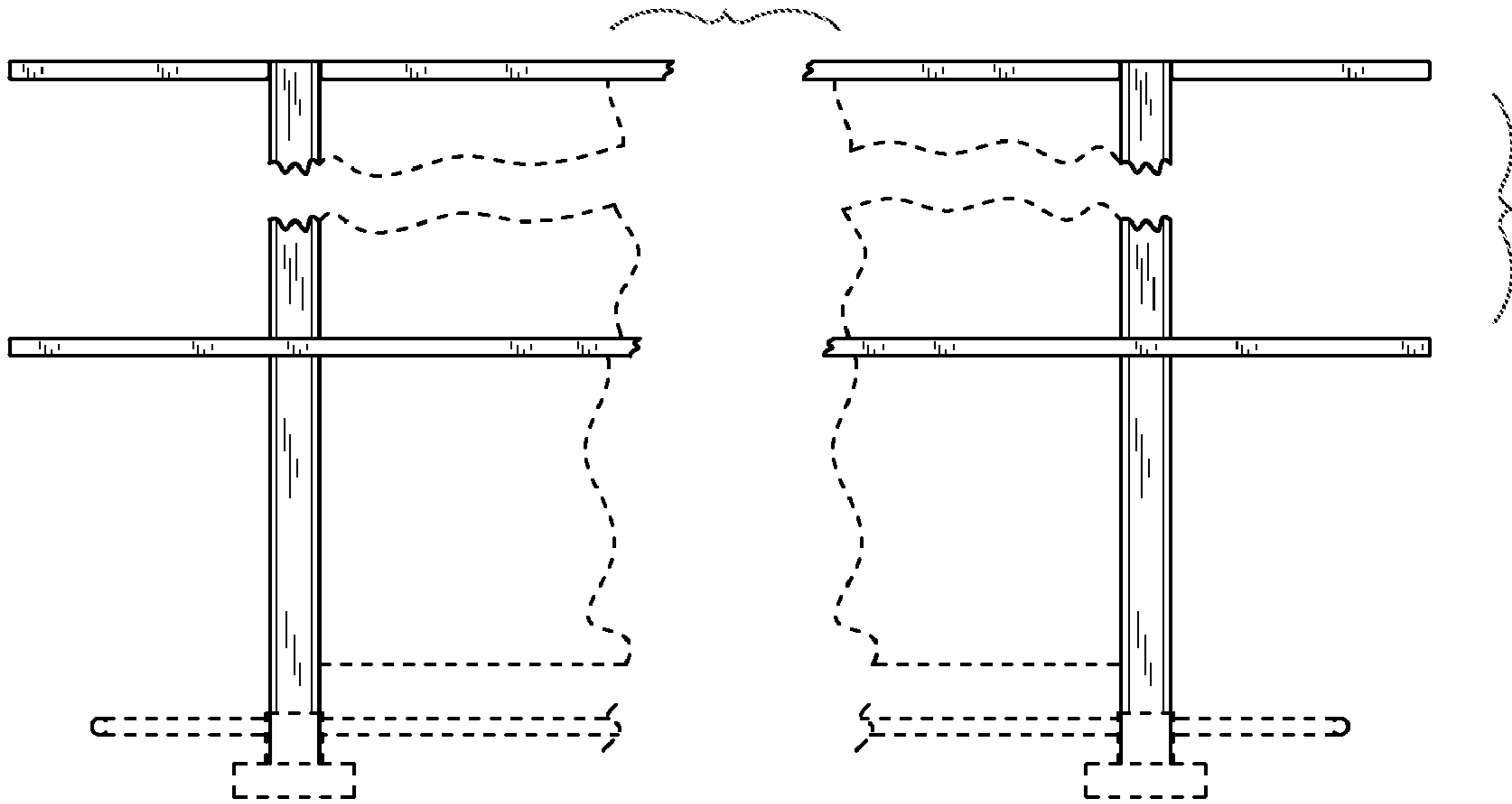


FIG. 2

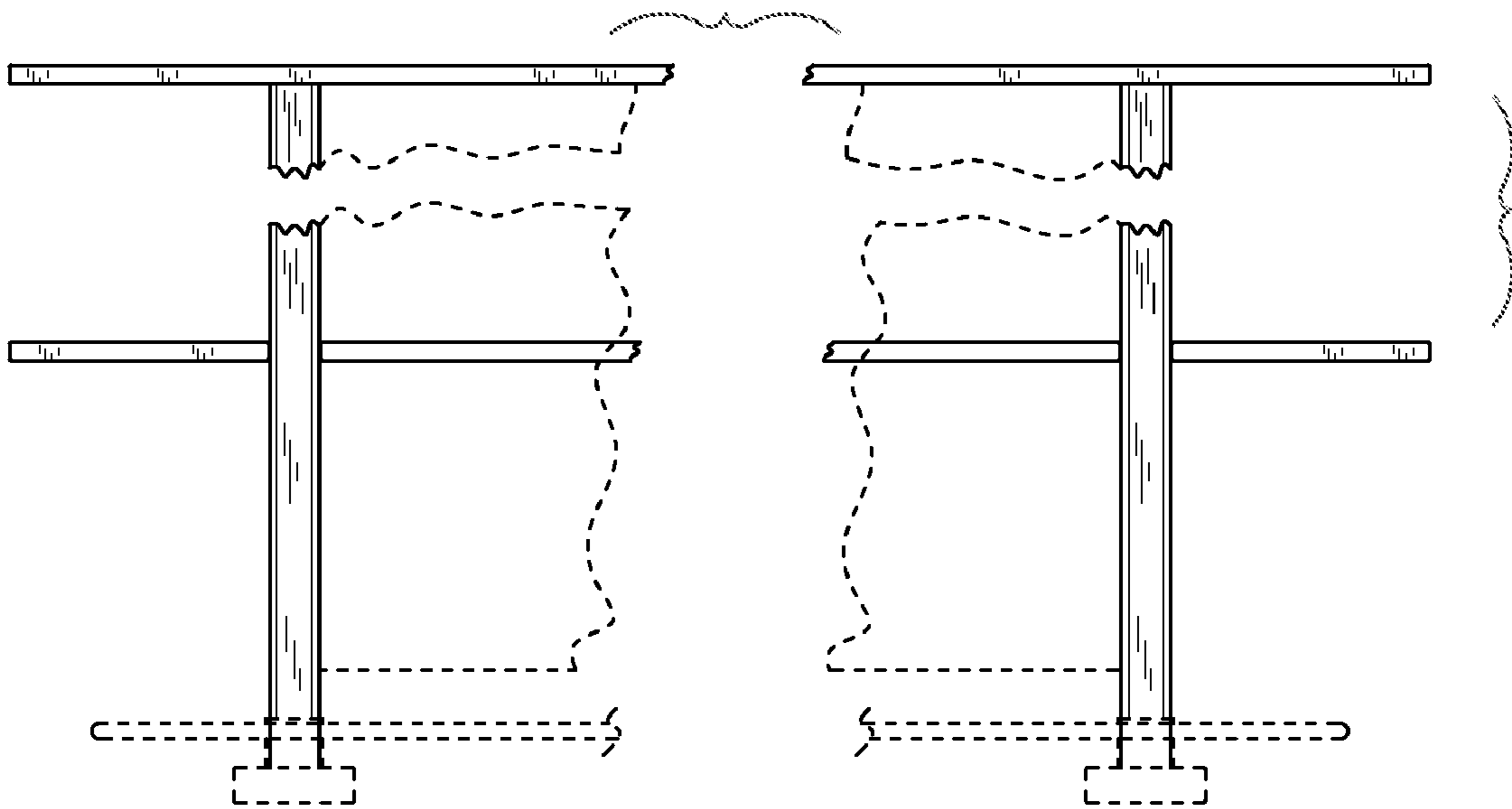


FIG. 3

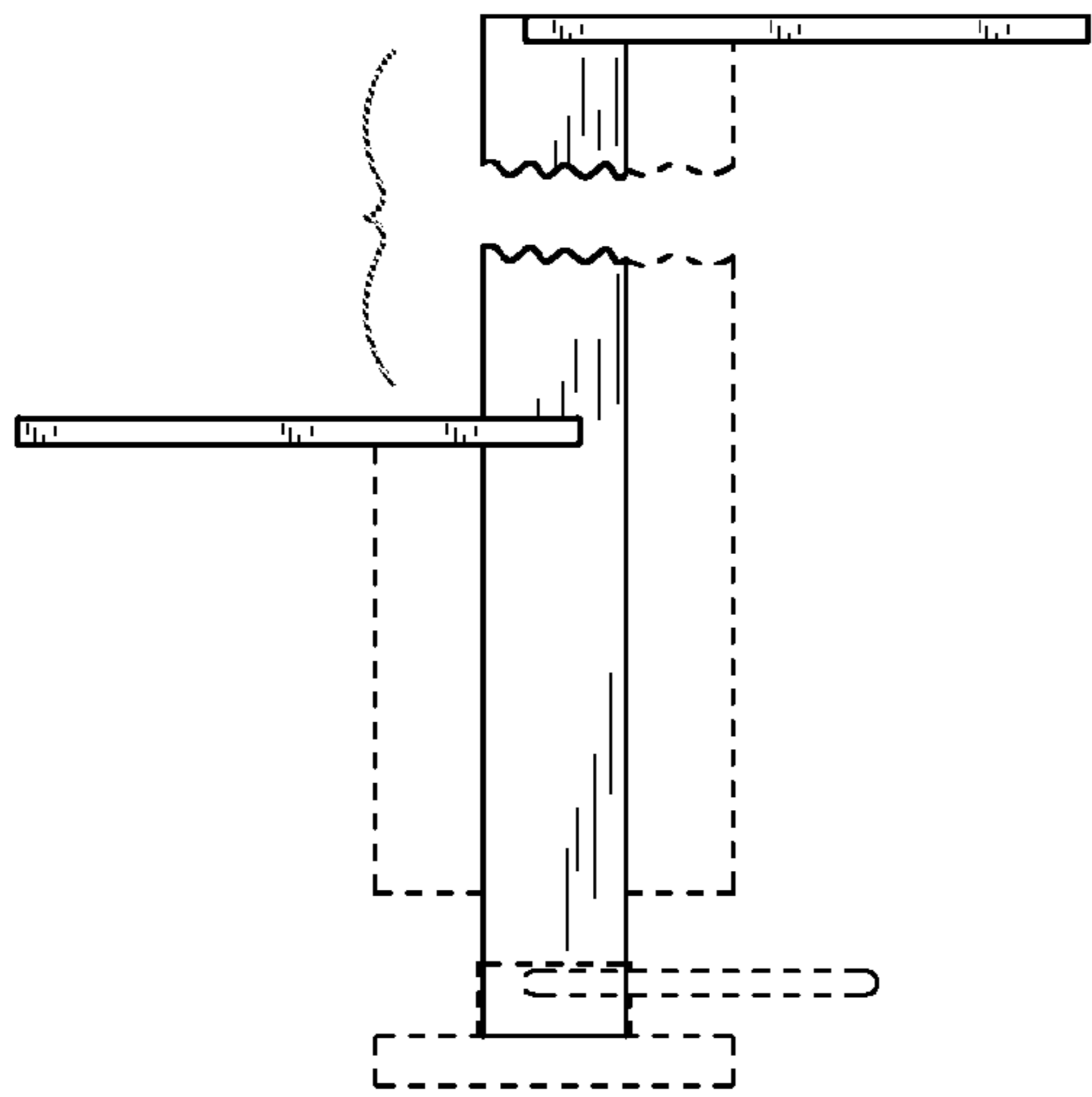


FIG. 4

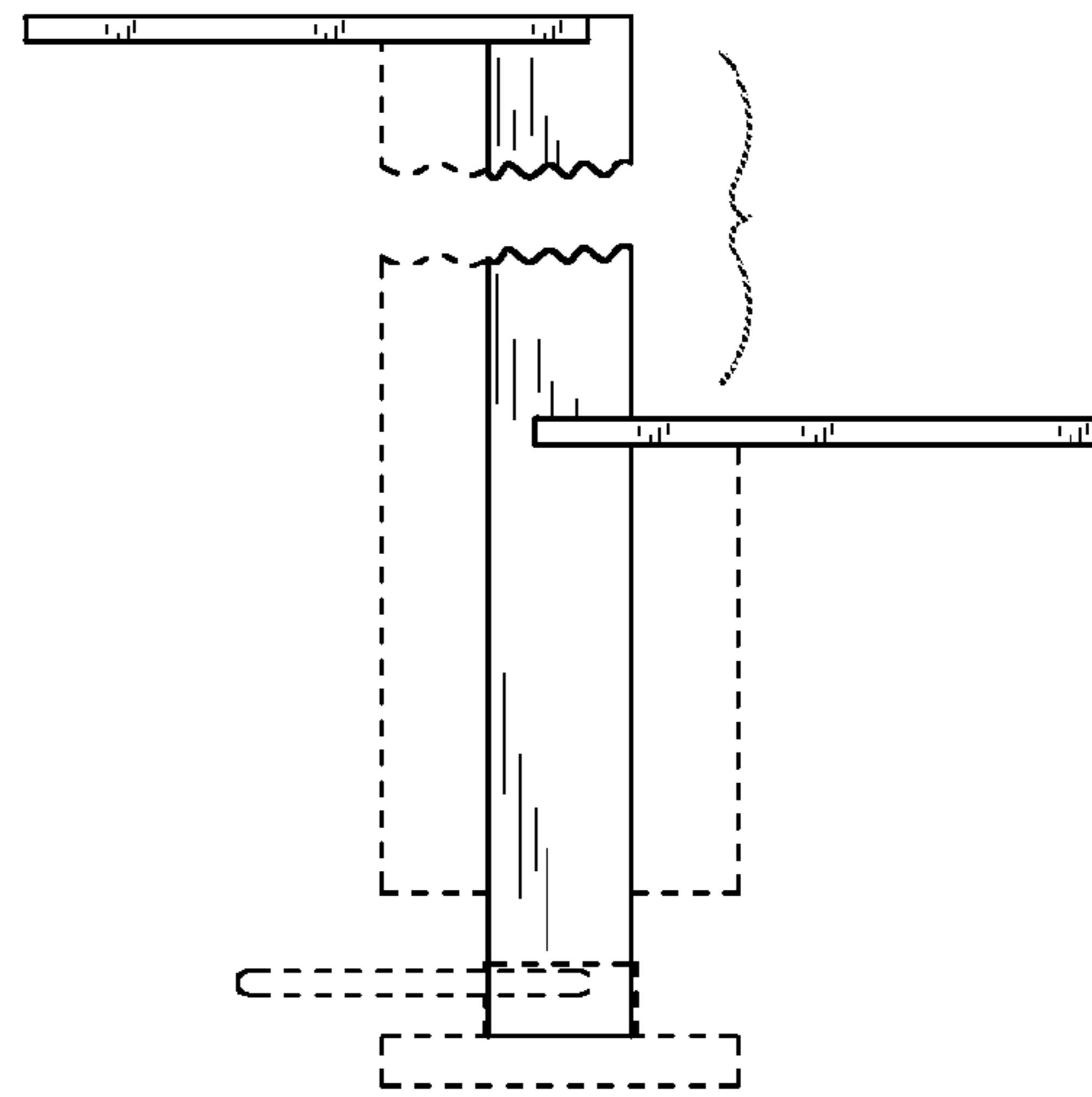


FIG. 5

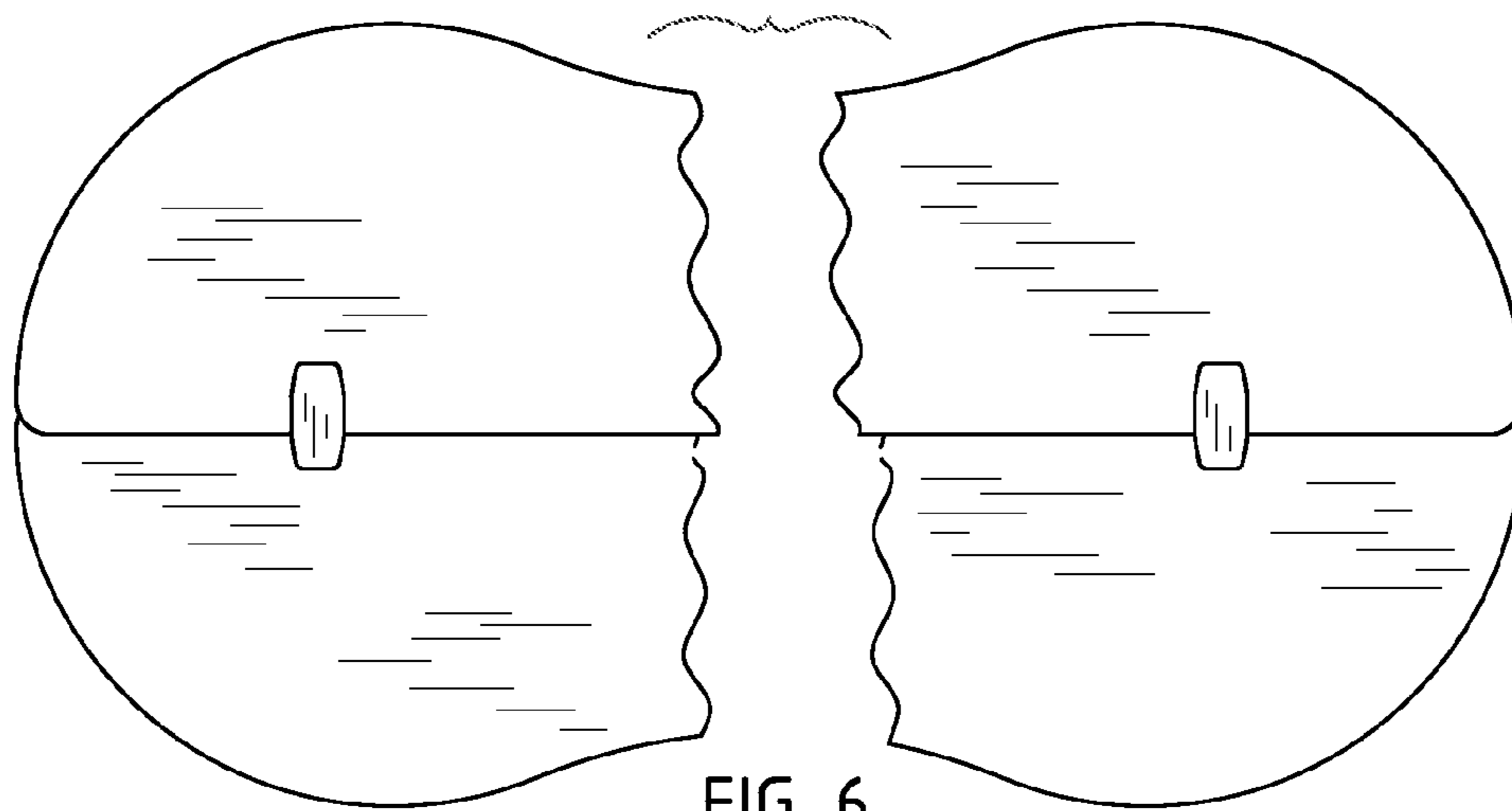


FIG. 6

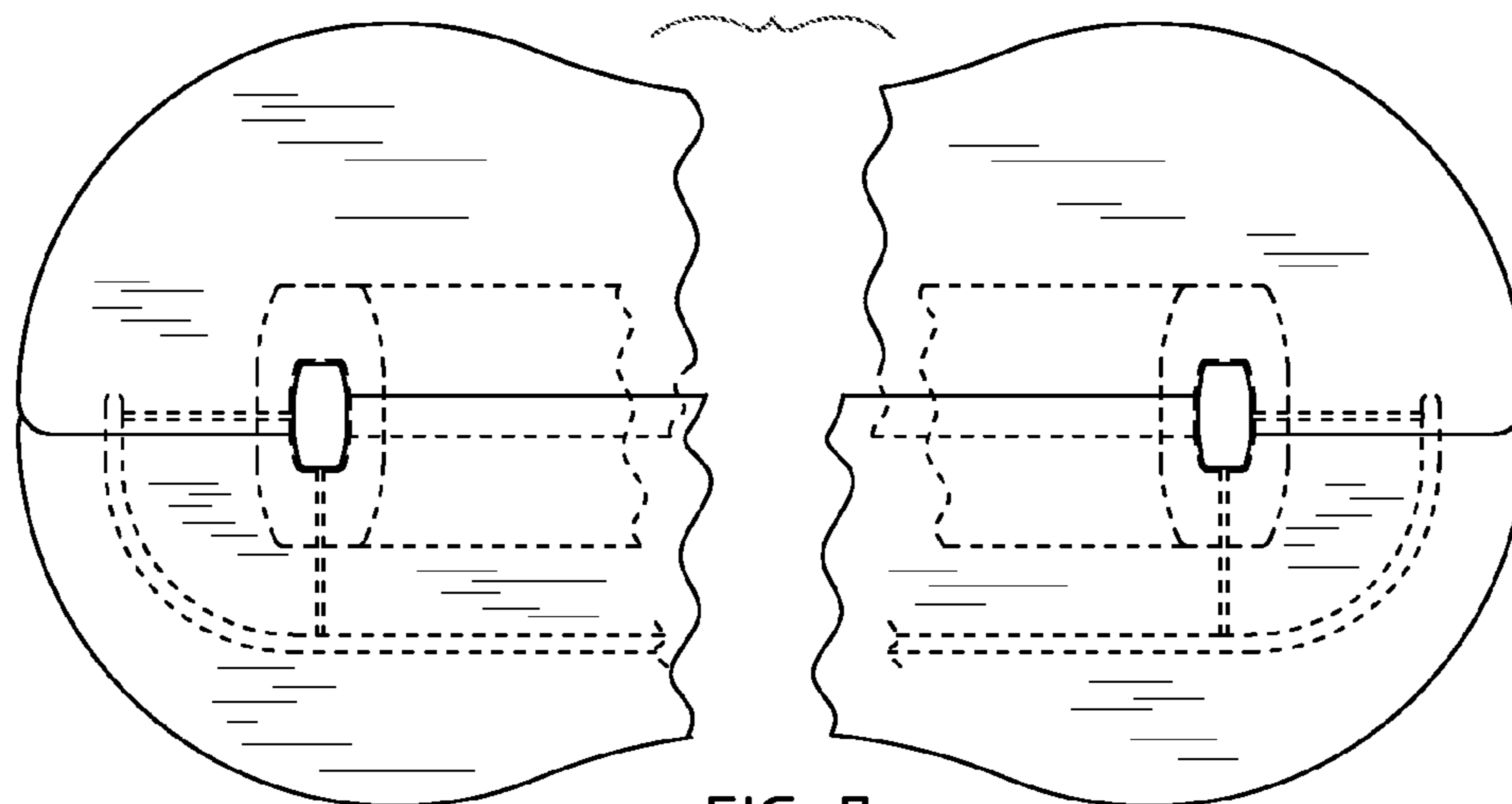


FIG. 7