



US00D619387S

(12) **United States Design Patent**
Davenport

(10) **Patent No.:** **US D619,387 S**
(45) **Date of Patent:** **** Jul. 13, 2010**

(54) **CYCLE LOCKER**
(75) Inventor: **Peter Alan Davenport**, Winchester (GB)
(73) Assignee: **Cycle-Works Limited**, Winchester, Hampshire (GB)
(**) Term: **14 Years**
(21) Appl. No.: **29/324,811**
(22) Filed: **Sep. 22, 2008**

(51) **LOC (9) Cl.** **06-04**
(52) **U.S. Cl.** **D6/432**
(58) **Field of Classification Search** D6/396, D6/402, 422, 432, 436, 441, 449, 470, 480, D6/481; D12/402; D25/16, 33-34, 58, 113, D25/138; 52/67, 79.1, 79.4, 236.1; 109/58; 211/41.41, 42, 74, 90.01, 133.1; 312/7.2, 312/8.16, 9.1, 107-108, 117-118, 140.2, 312/204, 224, 237, 257.1, 241, 278-279
See application file for complete search history.

(56) **References Cited**

U.S. PATENT DOCUMENTS

2,635,563 A * 4/1953 McBride 109/58
D237,381 S * 10/1975 Jenson D25/16
3,967,425 A * 7/1976 Wolverton et al. 52/236.1
3,973,812 A * 8/1976 Poltorak 312/100
4,438,606 A * 3/1984 Chardon et al. 52/79.1
4,986,037 A * 1/1991 Jackson, Jr. 52/67
D334,837 S * 4/1993 Bradley D12/402
D377,474 S * 1/1997 Rhead et al. D12/402
5,690,234 A * 11/1997 Rhead et al. 211/22

D404,499 S * 1/1999 Richardson D25/16
D405,045 S * 2/1999 Sauve et al. D12/402
6,779,310 B2 * 8/2004 Grover 52/79.4

* cited by examiner

Primary Examiner—Caron Veynar

Assistant Examiner—Ricky Pham

(74) *Attorney, Agent, or Firm*—Kirton & McConkie; Evan R. Witt

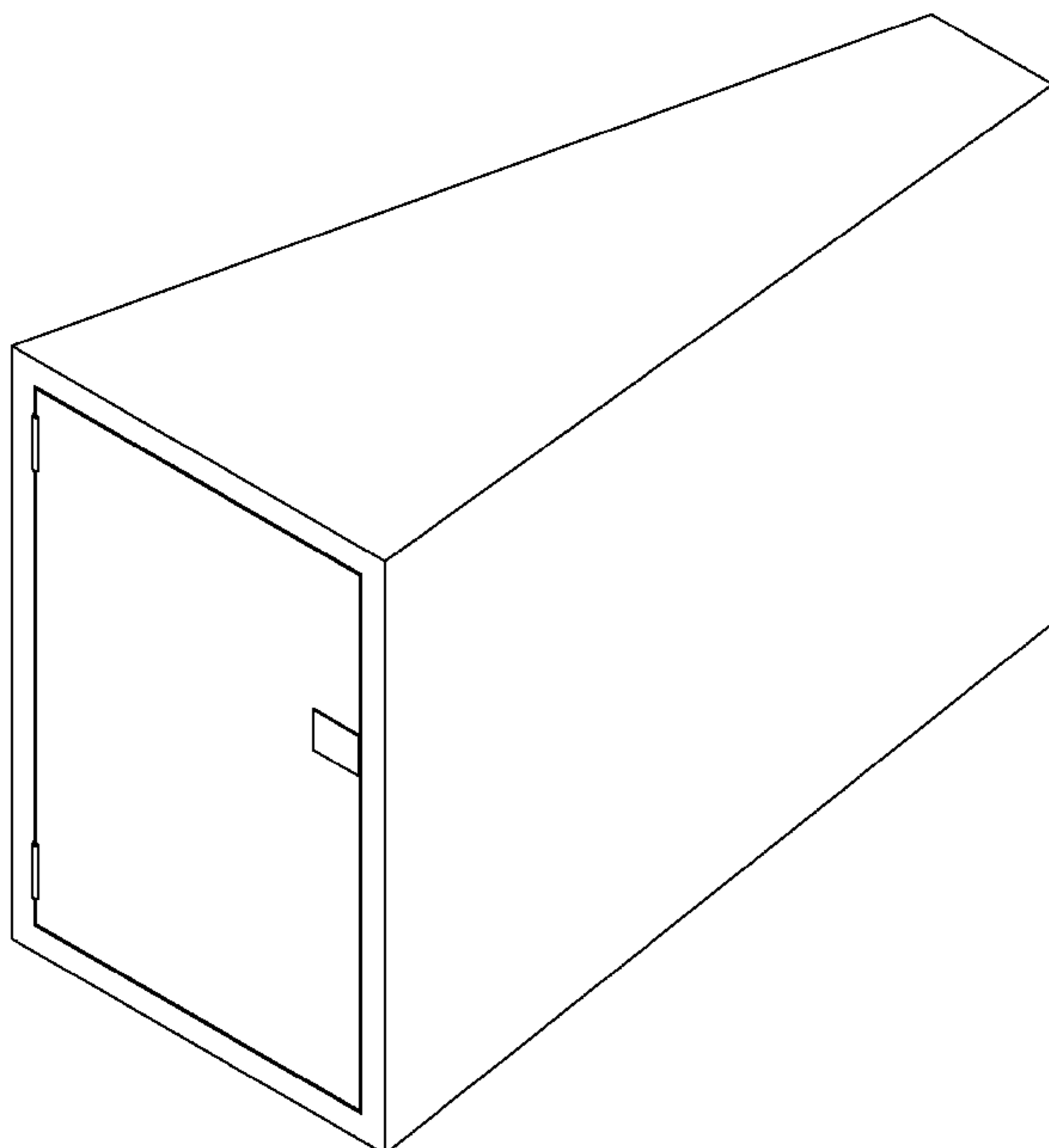
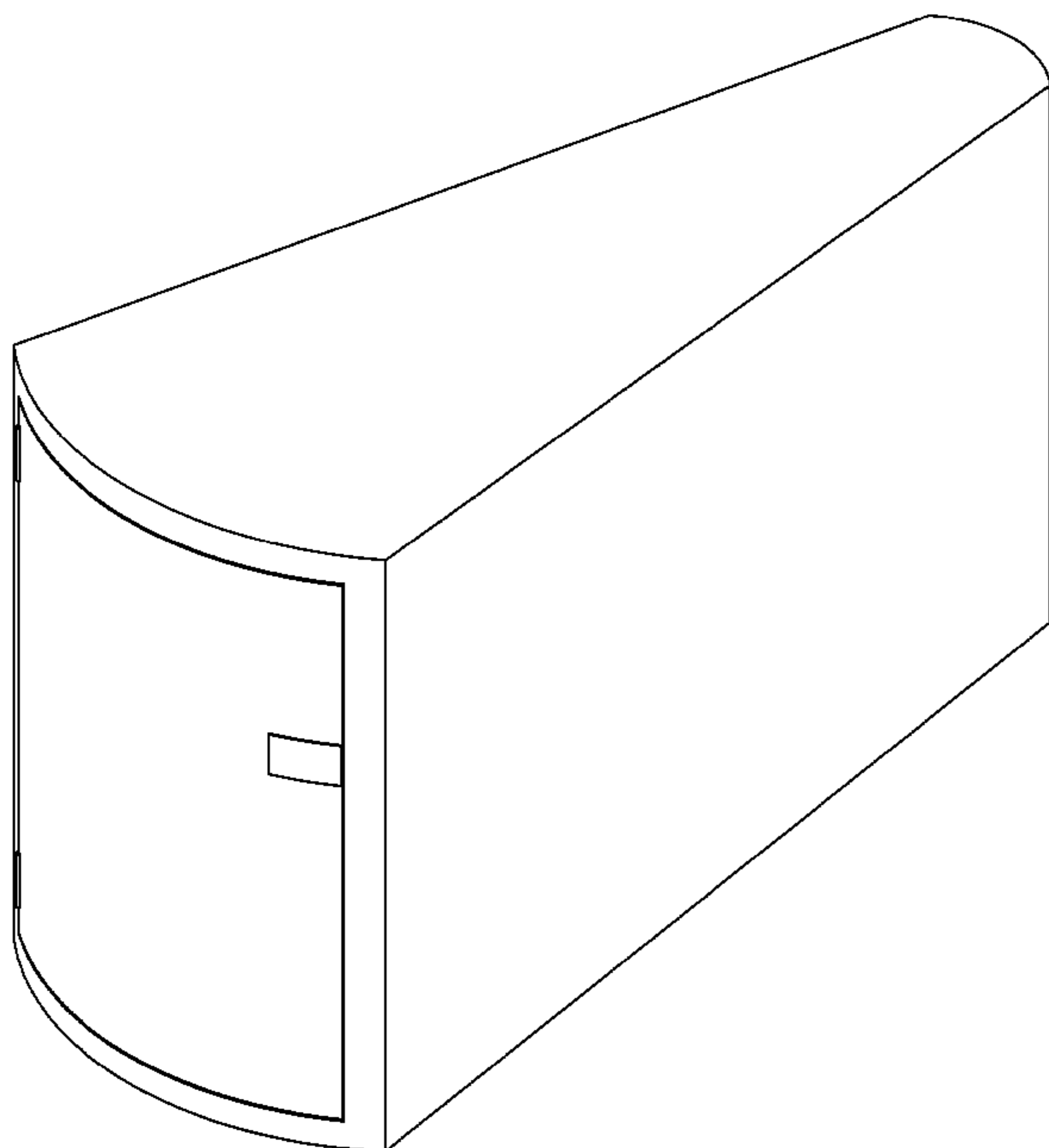
(57) **CLAIM**

The ornamental design for a cycle locker, as shown and described.

DESCRIPTION

FIG. 1 is a perspective view of a cycle locker showing my new design with rounded front and rear faces;
FIG. 2 is a right side view of FIG. 1, and the left side view being a mirror image thereof;
FIG. 3 is a front side view of FIG. 1;
FIG. 4 is a rear side view of FIG. 1;
FIG. 5 is a top plan view of FIG. 1;
FIG. 6 is a perspective view of an alternative embodiment of my cycle locker design with flat front and rear faces;
FIG. 7 is a right side view of FIG. 6, and the left side view being a mirror image thereof;
FIG. 8 is a front side view of FIG. 6;
FIG. 9 is a rear side view of FIG. 6; and,
FIG. 10 is a top plan view of FIG. 6.

1 Claim, 10 Drawing Sheets



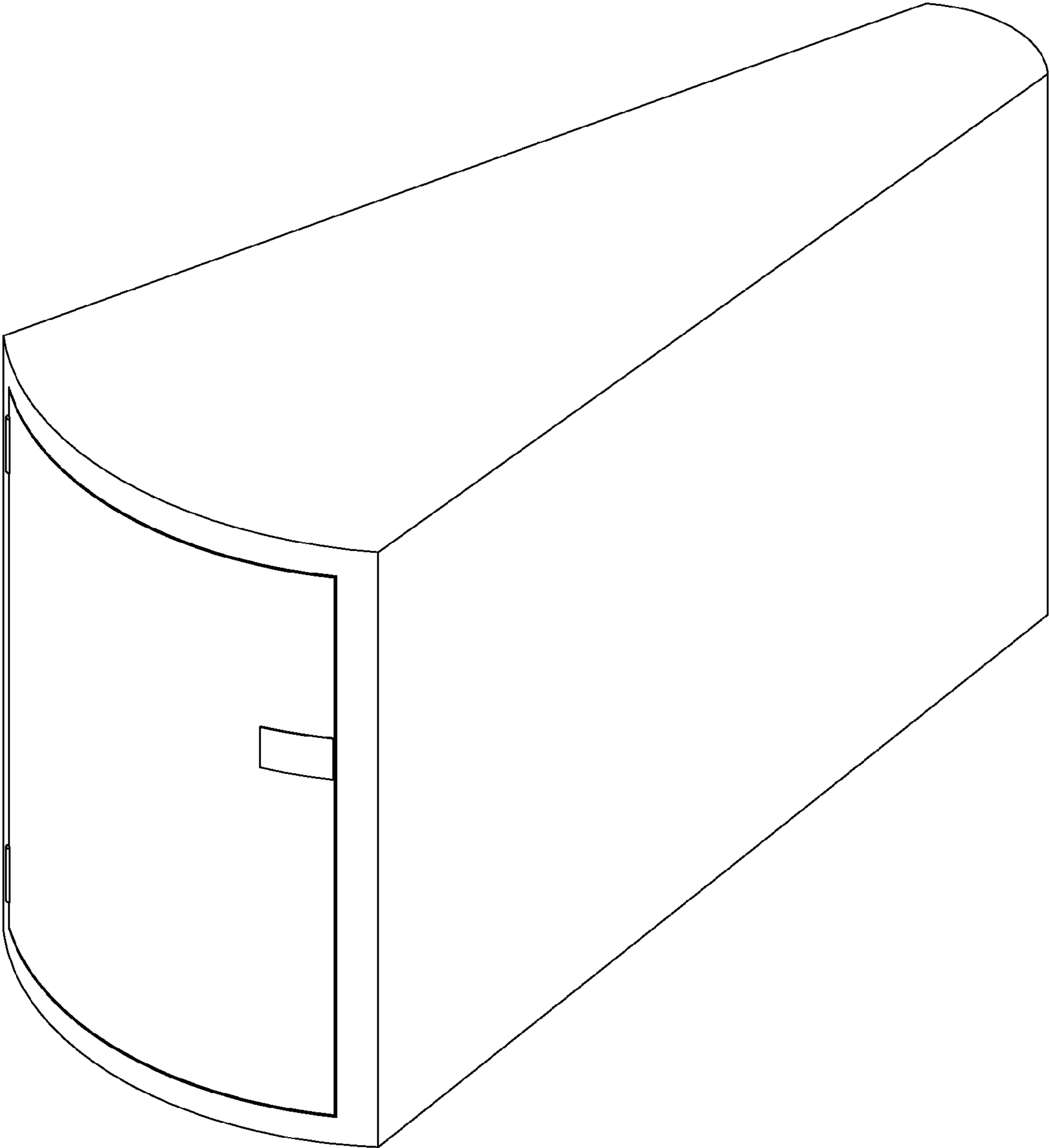


FIG. 1

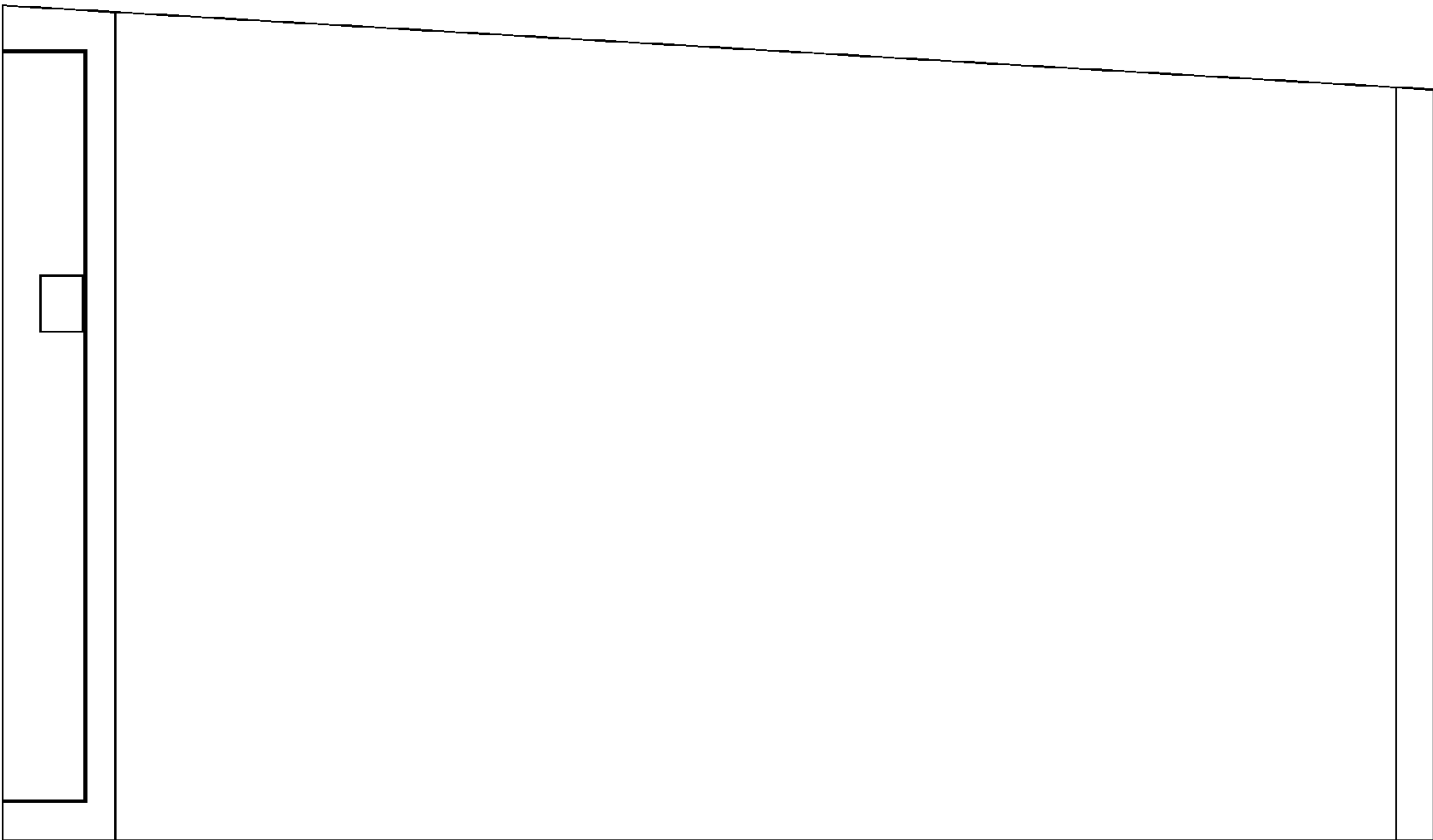


FIG. 2

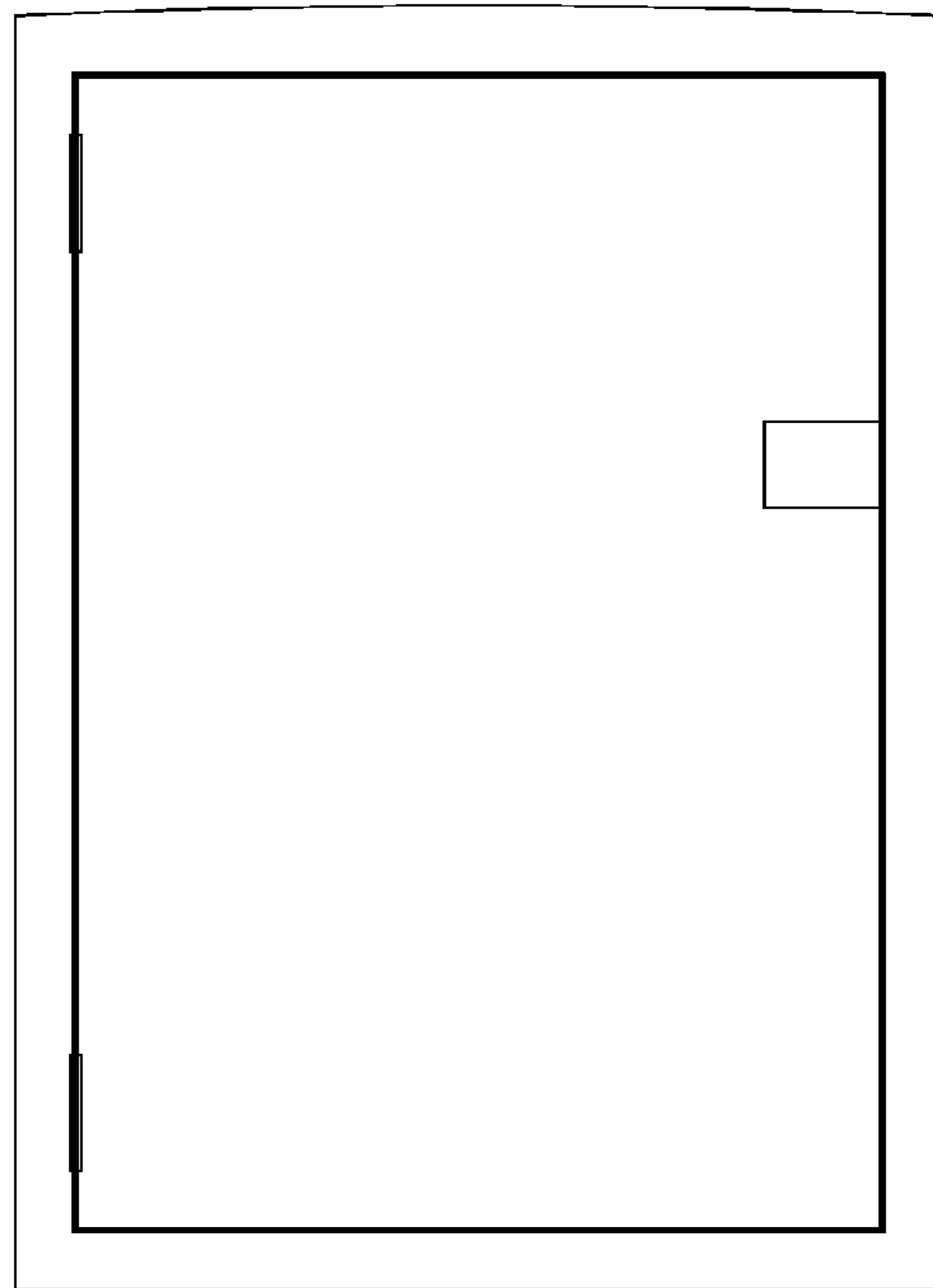


FIG. 3

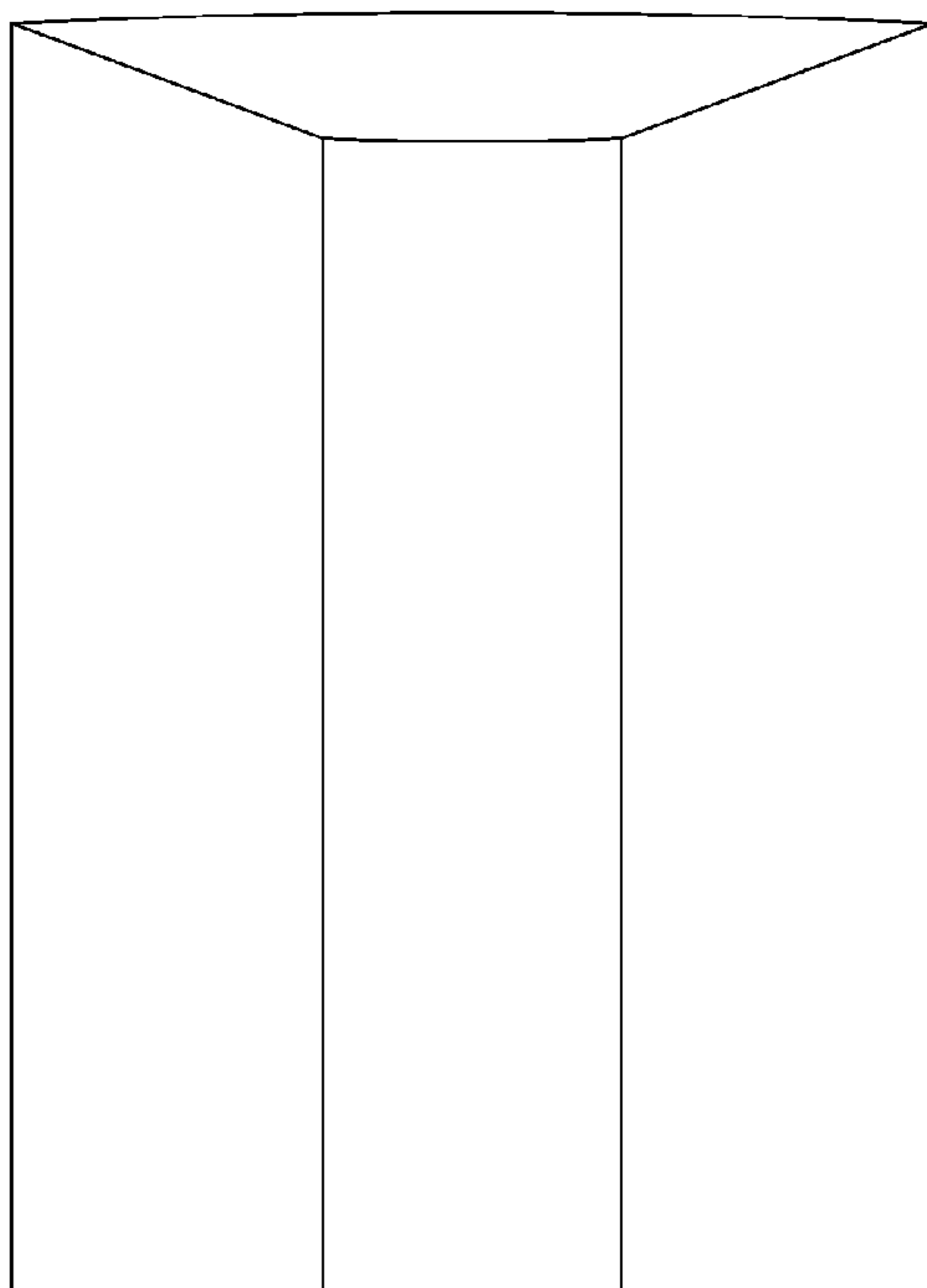


FIG. 4

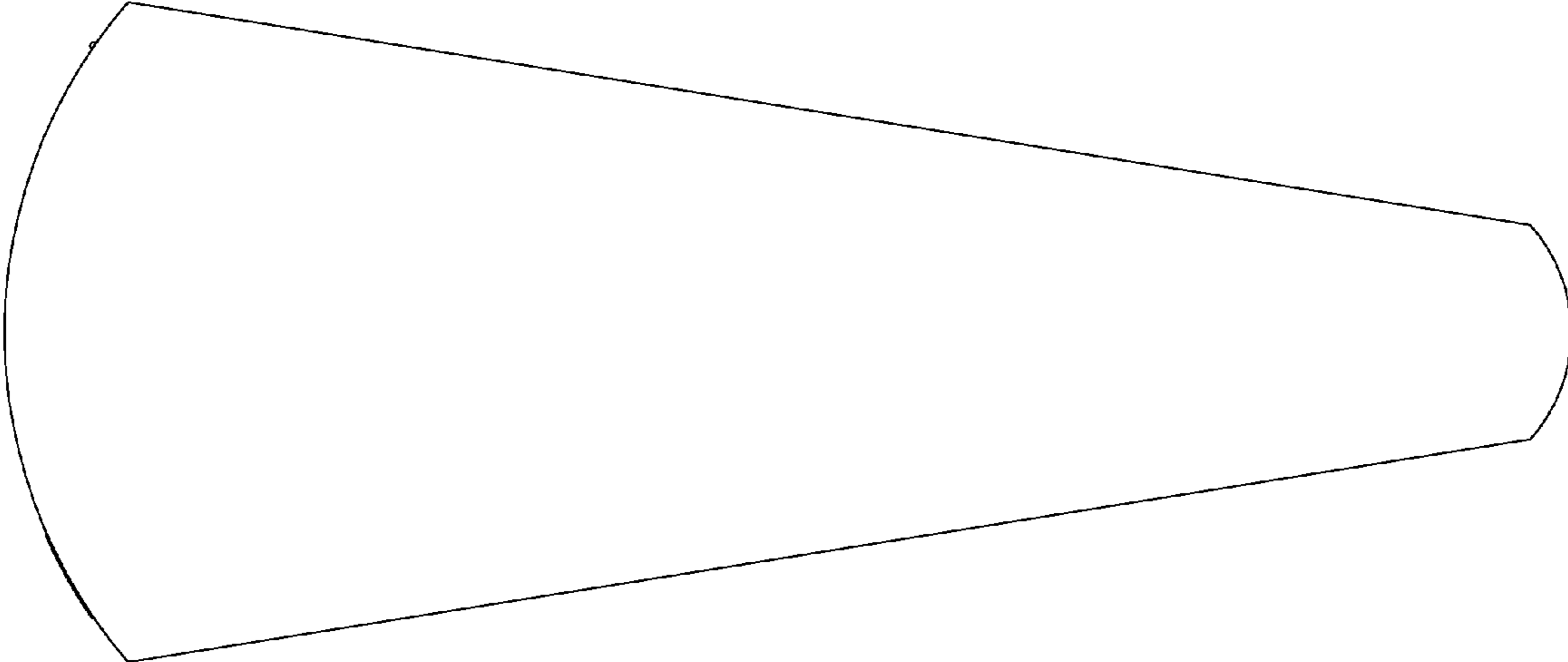


FIG. 5

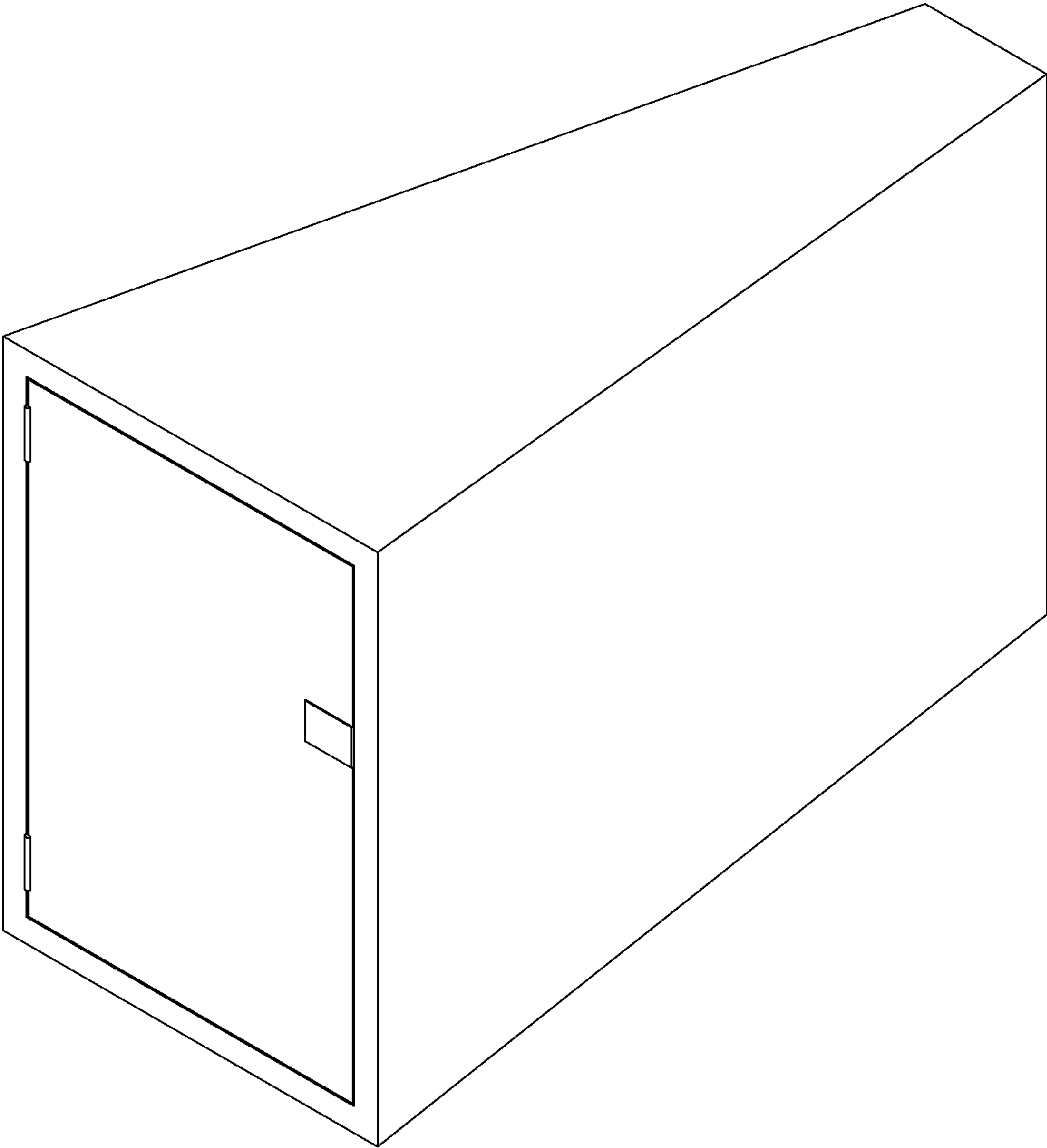


FIG. 6

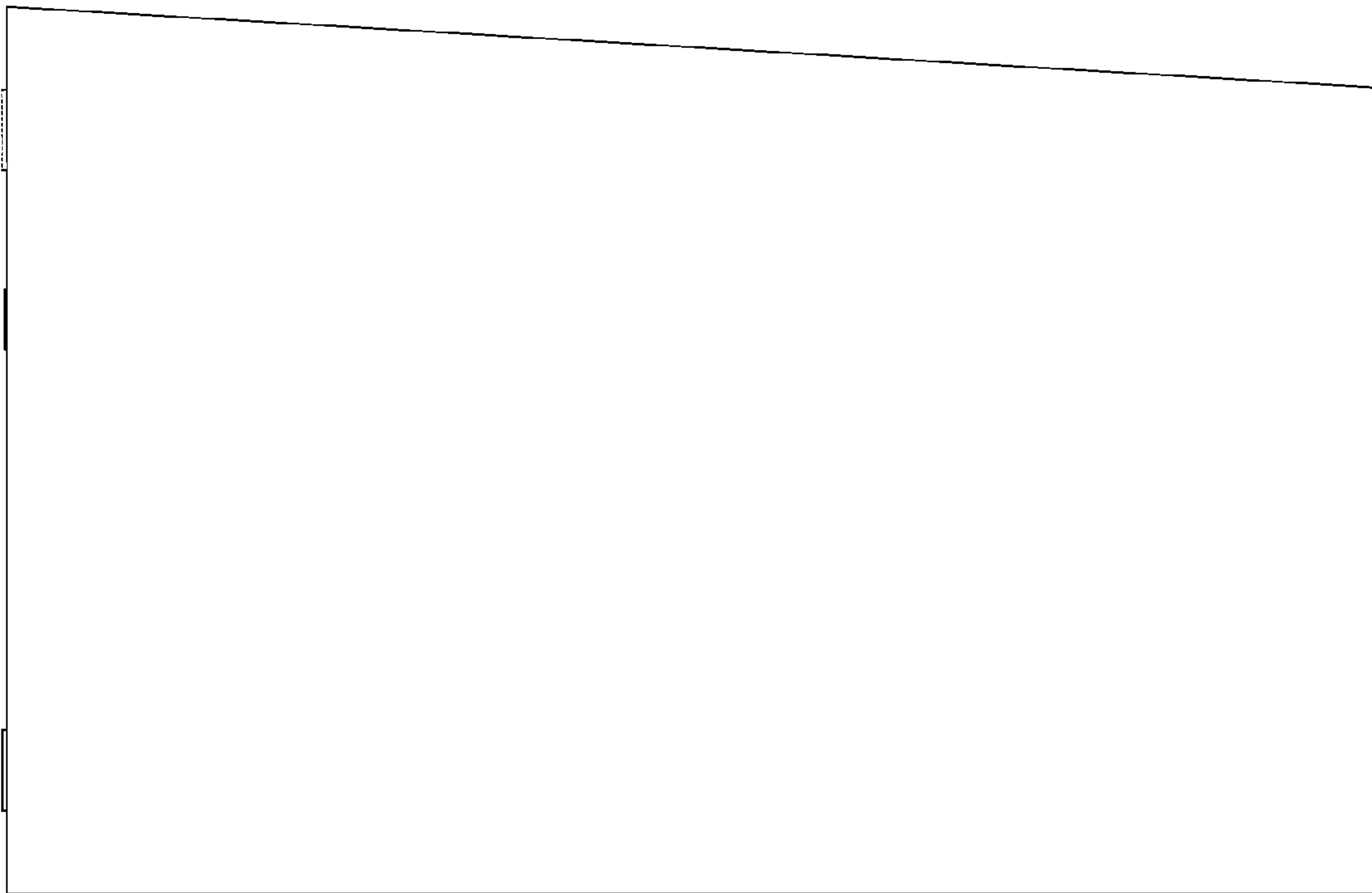


FIG. 7

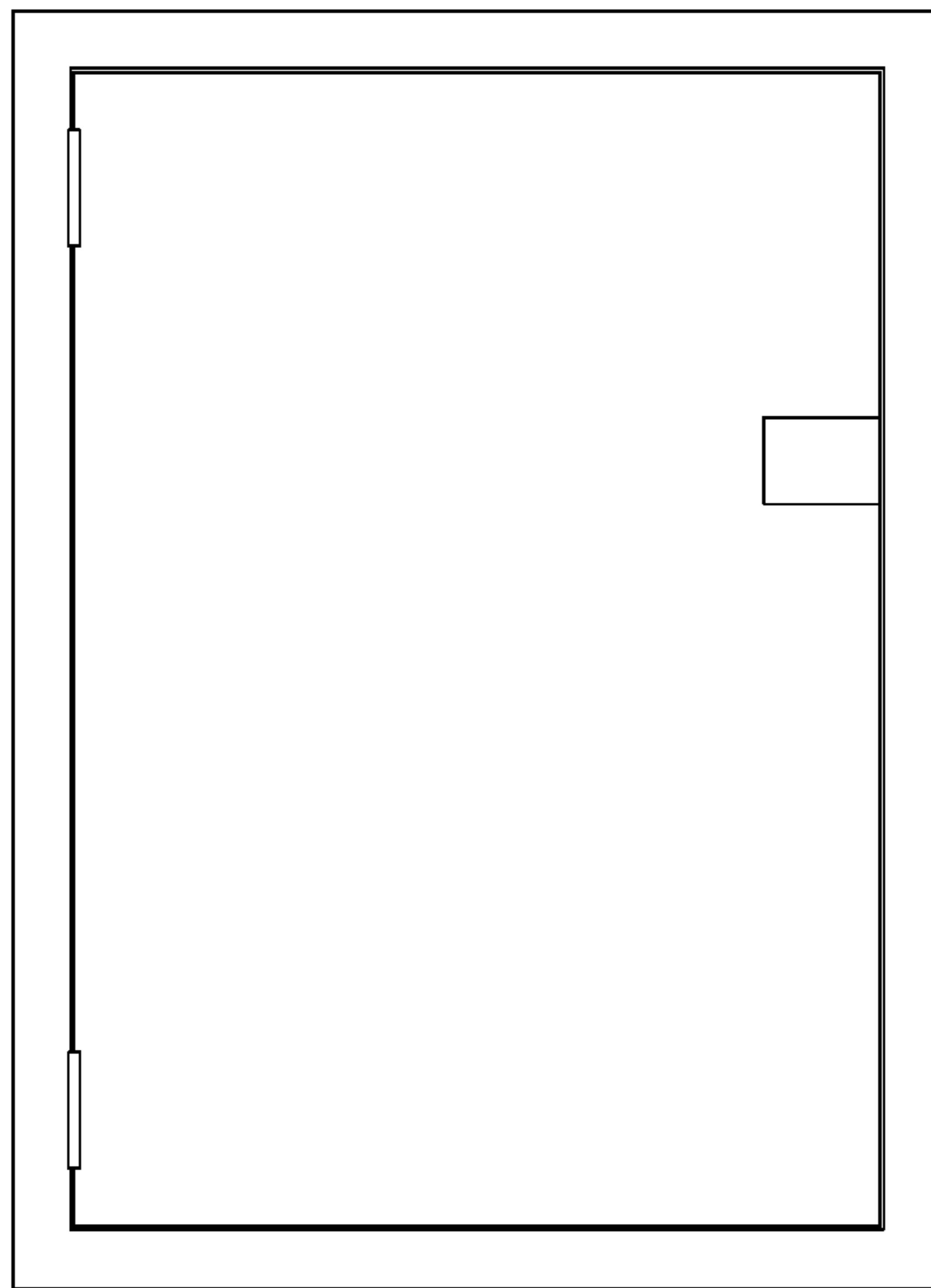


FIG. 8

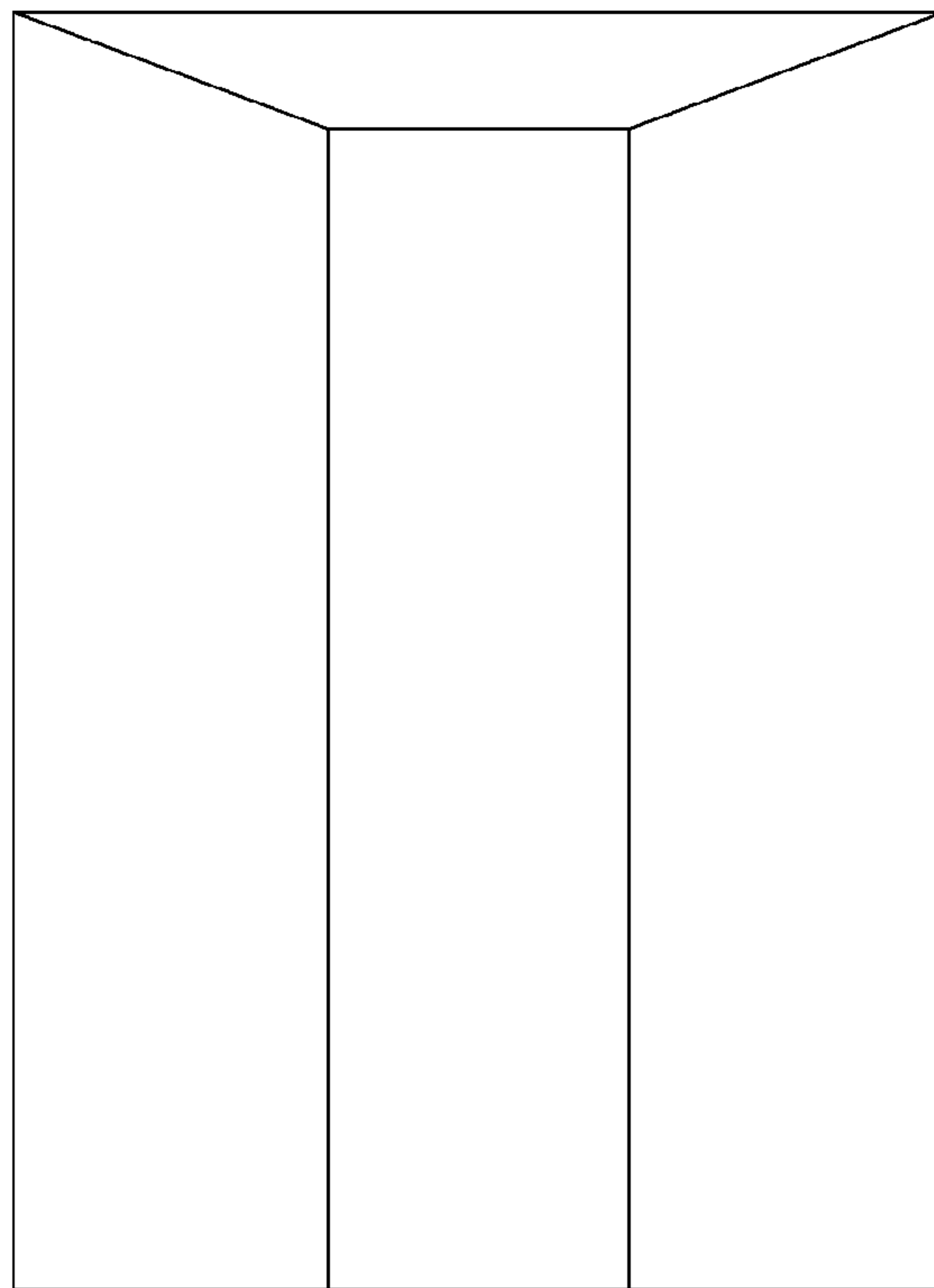


FIG. 9

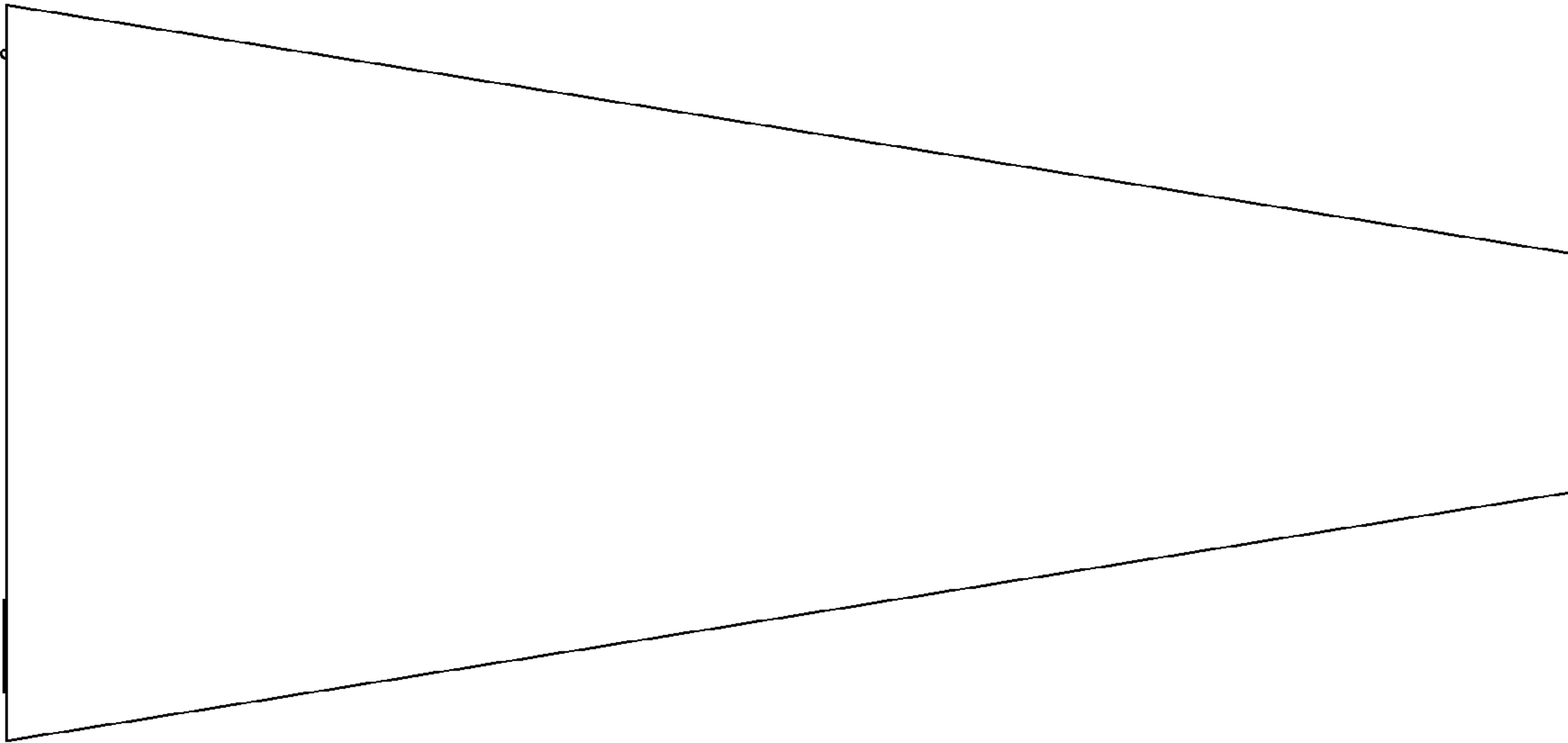


FIG. 10