



US00D619384S

(12) **United States Design Patent**
Lee

(10) **Patent No.:** **US D619,384 S**
(45) **Date of Patent:** **** Jul. 13, 2010**

(54) **MESSAGE CHAIR**

D517,338 S 3/2006 Inada et al.
D536,189 S 2/2007 Kita

(75) Inventor: **Eng Leong Lee**, Johor (MY)

(73) Assignee: **OSIM International Ltd.**, Singapore (SG)

(Continued)

(**) Term: **14 Years**

(21) Appl. No.: **29/351,739**

(22) Filed: **Dec. 10, 2009**

OTHER PUBLICATIONS

OSIM healthfocus - iMedic 500 brochure; OSIM International Ltd. Copyright 2004.

Primary Examiner—Mimosa De

(74) *Attorney, Agent, or Firm*—Baker & McKenzie LLP

(51) **LOC (9) Cl.** **06-01**

(52) **U.S. Cl.** **D6/367**

(58) **Field of Classification Search** D6/334–336, D6/360, 361, 367, 368, 371, 373, 379, 492, D6/500–502; 297/68, 271.1, 271.2, 271.3, 297/353, 354.1, 411.42, 411.46, 423.19, 297/423.2; 601/90, 91, 97–99, 102, 115, 601/116, 148, 149

See application file for complete search history.

(57) **CLAIM**

The ornamental design for a massage chair, as illustrated and described.

DESCRIPTION

FIG. 1 is a front reclined view of the massage chair in accordance with my design;

FIG. 2 is a back reclined of the massage chair shown in FIG. 1;

FIG. 3 is a front perspective view of the massage chair shown in FIGS. 1–2;

FIG. 4 is a back perspective view of the massage chair shown in FIGS. 1–3;

FIG. 5 is a front view of the massage chair shown in FIGS. 1–4;

FIG. 6 is a back view of the massage chair shown in FIGS. 1–5 in a reclined position;

FIG. 7 is a left side view of the massage chair shown in FIGS. 1–6 in a reclined position;

FIG. 8 is a right side view of the massage chair shown in FIGS. 1–7;

FIG. 9 is a top view of the massage chair shown in FIGS. 1–8; and,

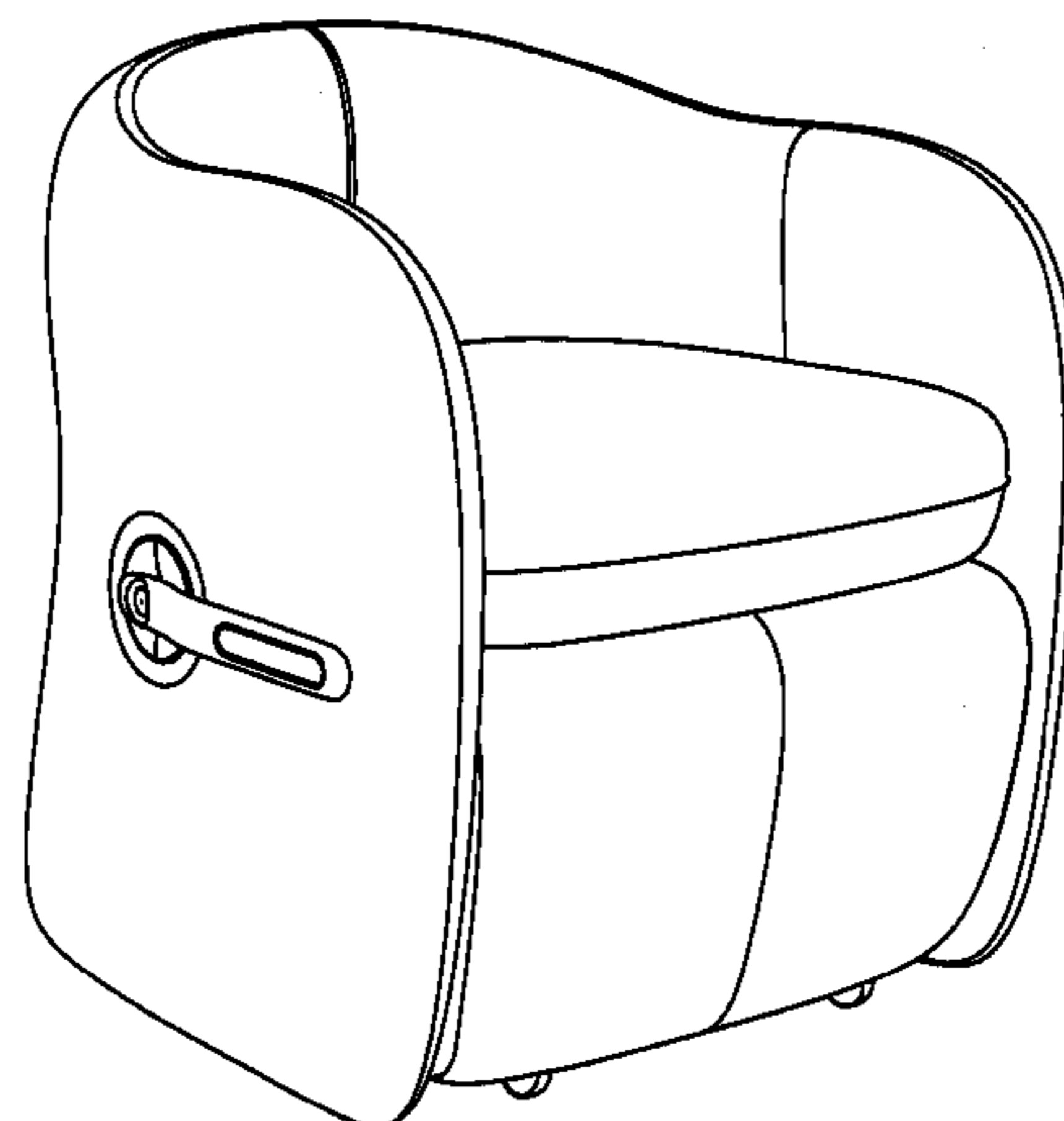
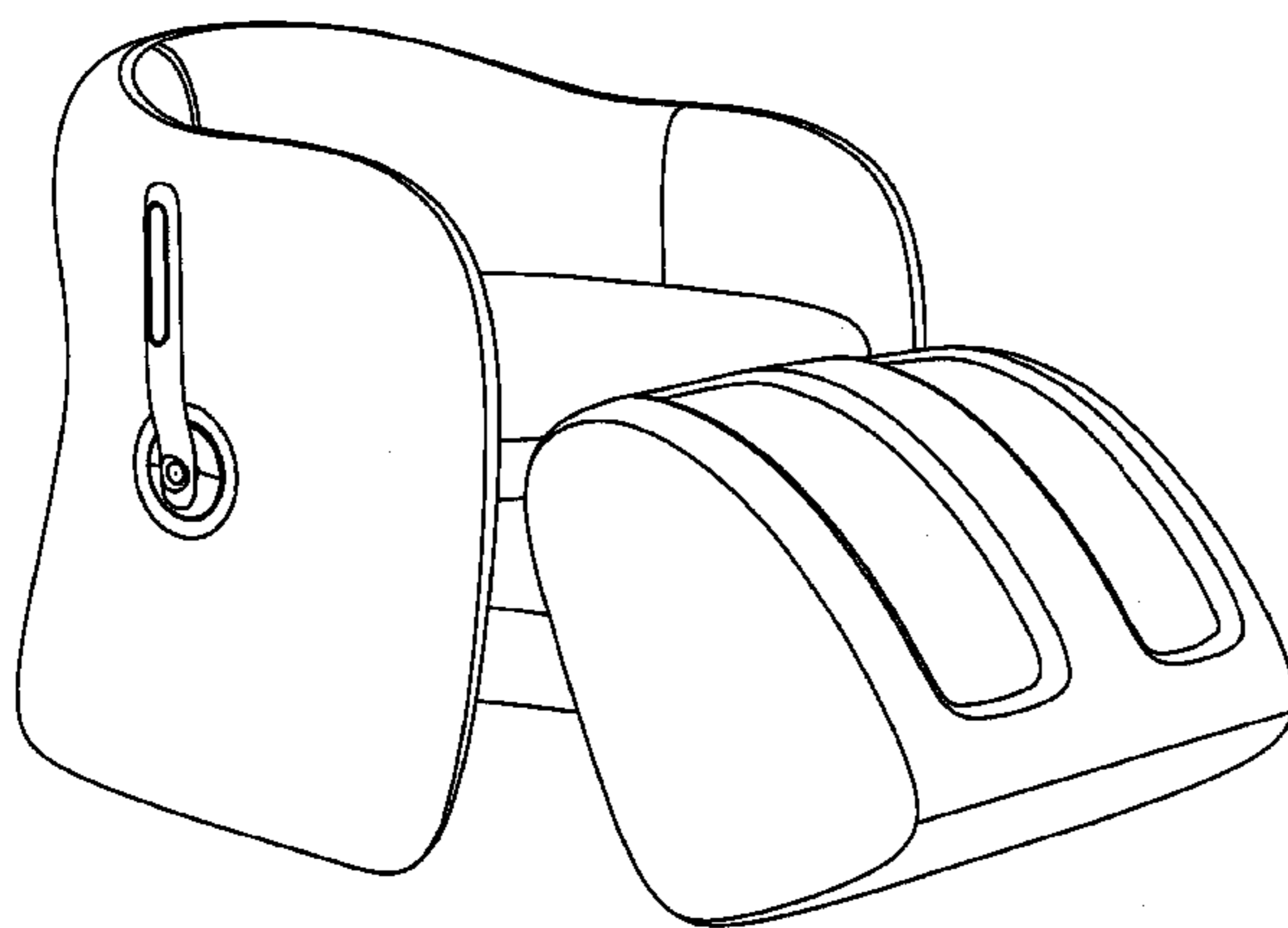
FIG. 10 is a bottom view of the massage chair shown in FIGS. 1–9.

(56) **References Cited**

U.S. PATENT DOCUMENTS

D223,444 S	4/1972	Glaser	
D284,812 S *	7/1986	Culler	D6/371
D286,587 S *	11/1986	Culler	D6/334
D314,869 S	2/1991	Entratter	
D317,650 S	6/1991	Soder	
D329,150 S	9/1992	Ball	
D337,450 S *	7/1993	Dettinger	D6/381
D346,070 S	4/1994	Kither	
D360,901 S	8/1995	Slater	
D368,180 S	3/1996	Ball	
D372,801 S	8/1996	Fujimoto et al.	
D372,802 S	8/1996	Fujimoto et al.	
D378,171 S	2/1997	Liu	
5,762,618 A	6/1998	Yamanaka et al.	
D418,990 S *	1/2000	Oguri et al.	D6/367
D434,233 S *	11/2000	Frankel et al.	D6/334
D447,348 S	9/2001	Kobayashi et al.	
D491,375 S	6/2004	Yuyama	
D502,607 S	3/2005	Miyake et al.	
D517,337 S	3/2006	Mori	

1 Claim, 10 Drawing Sheets



US D619,384 S

Page 2

U.S. PATENT DOCUMENTS

D536,891 S	2/2007	Miyake et al.	D538,056 S	3/2007	Lifeng	
D536,894 S *	2/2007	Potter	D544,224 S *	6/2007	Zhuo	D6/367
		D6/367	2003/0146654 A1	8/2003	Nguyen et al.	
D537,645 S	3/2007	Murata et al.	2004/0007904 A1	1/2004	Lin et al.	

* cited by examiner

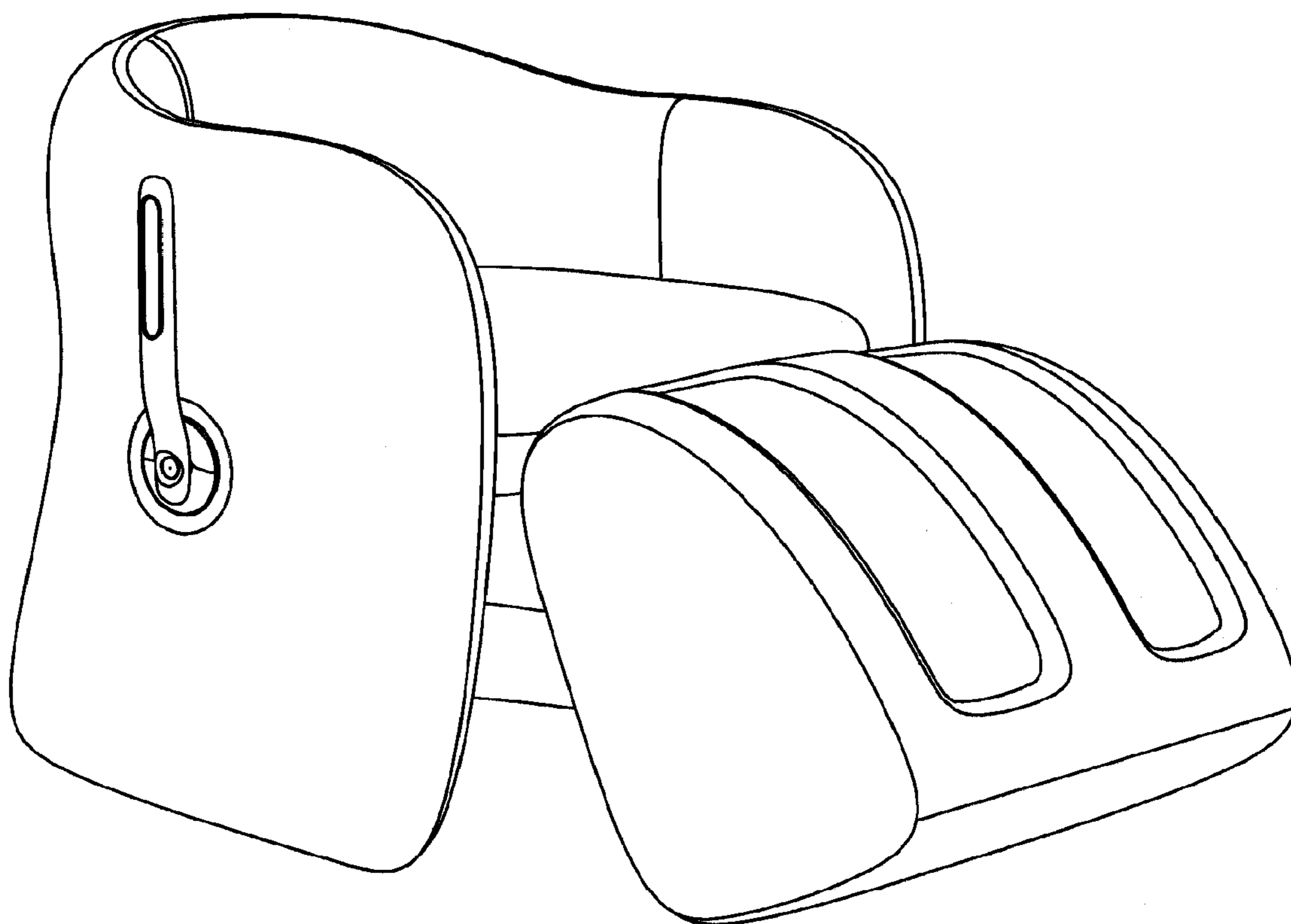


FIG. 1

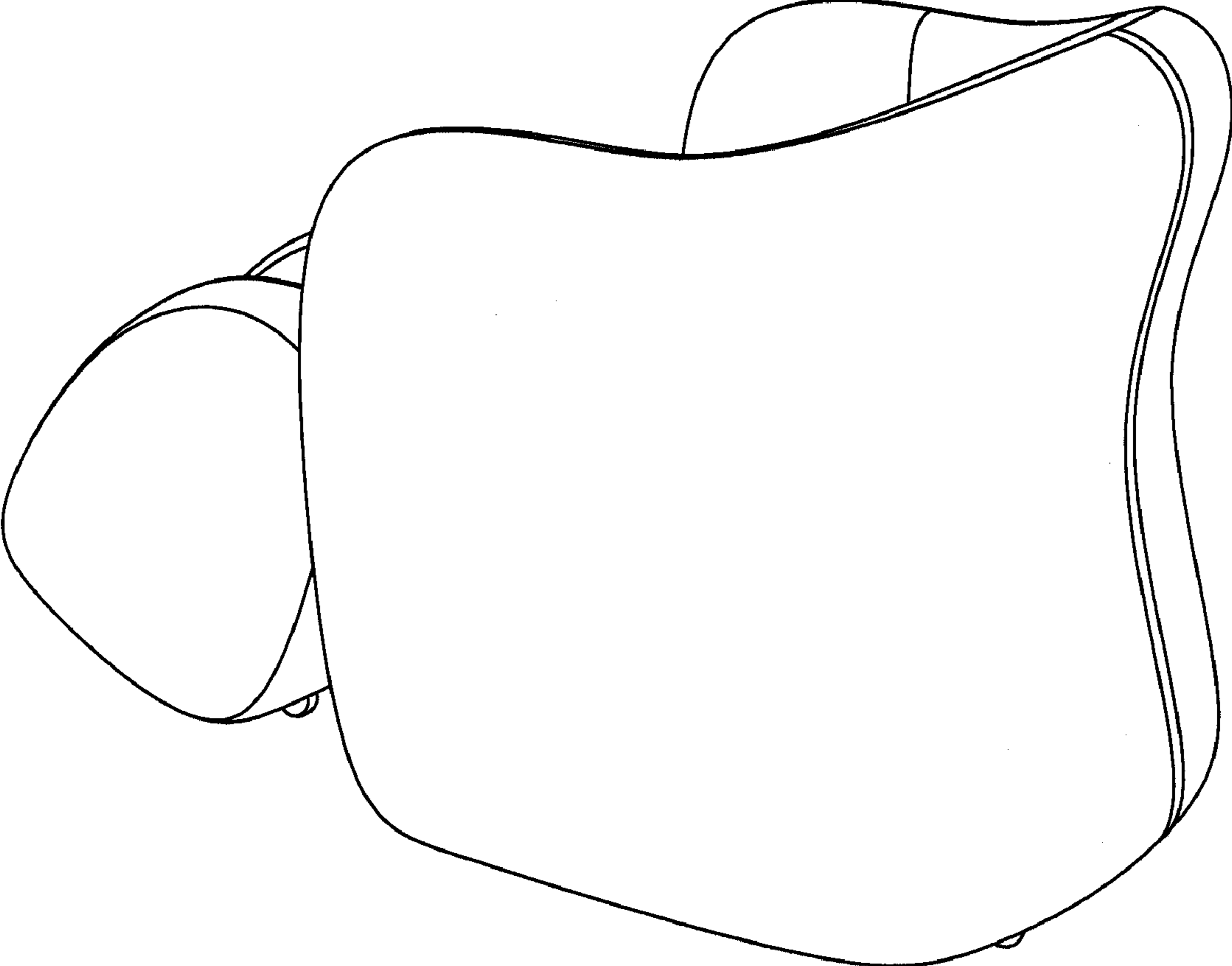


FIG. 2

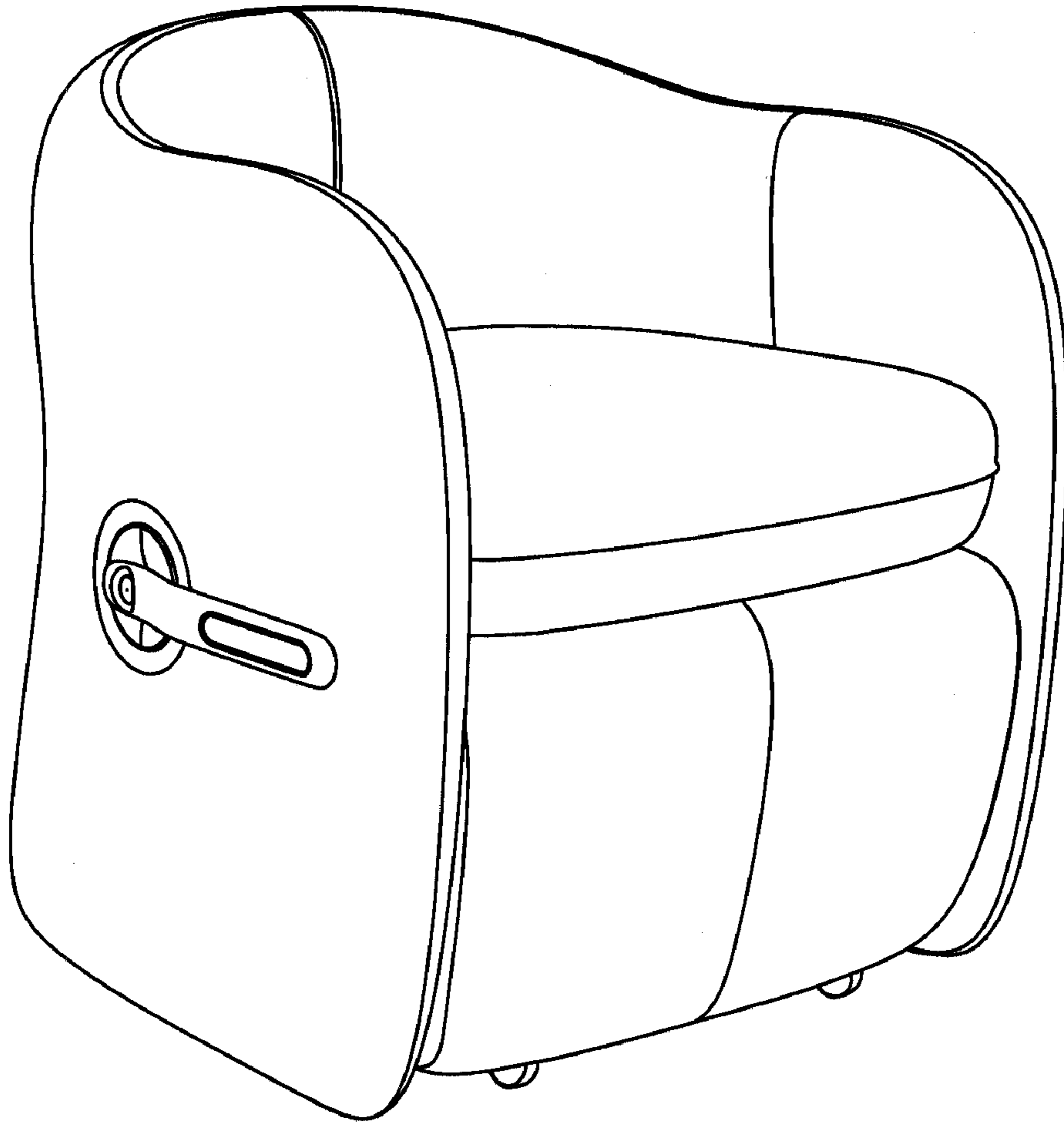


FIG. 3



FIG. 4

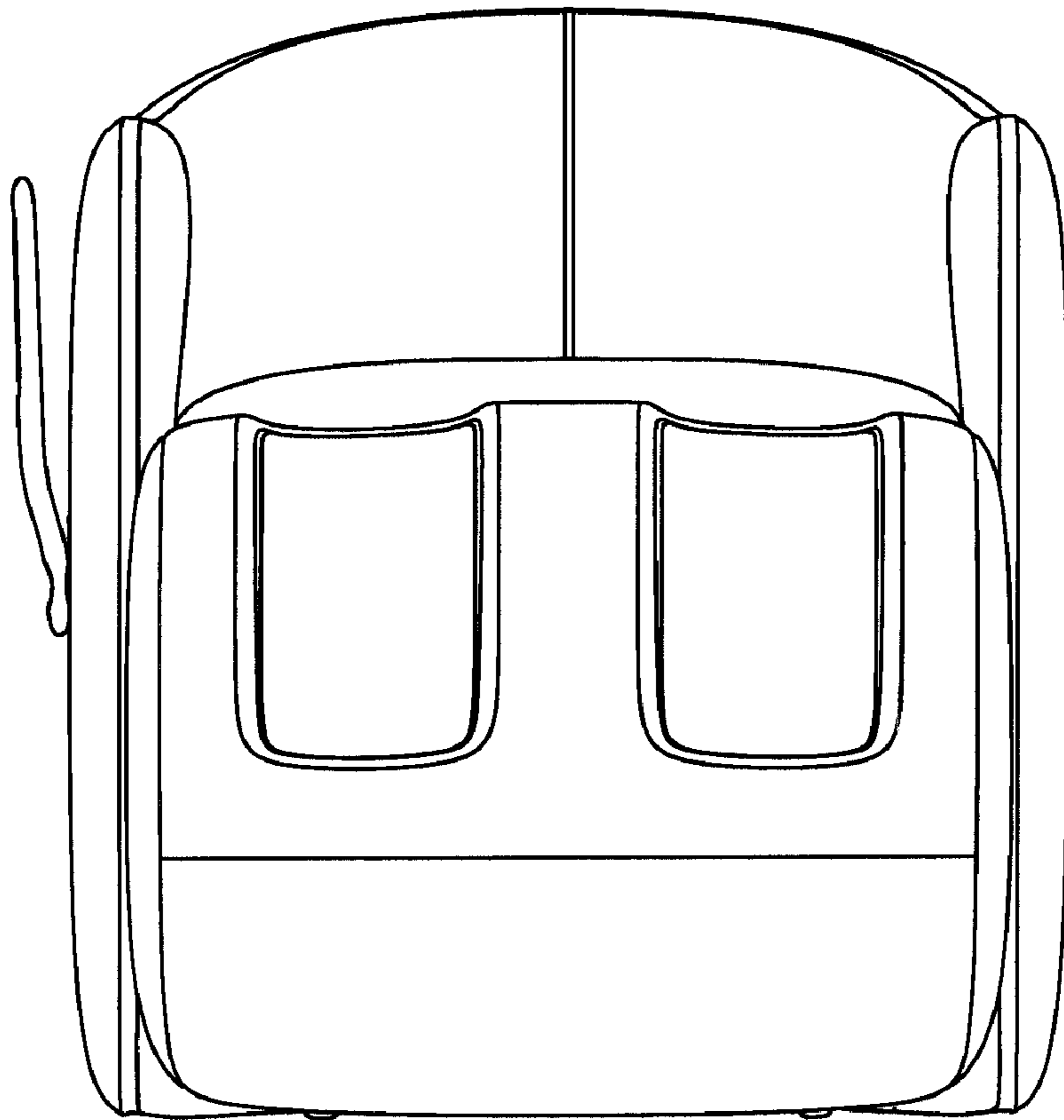


FIG. 5

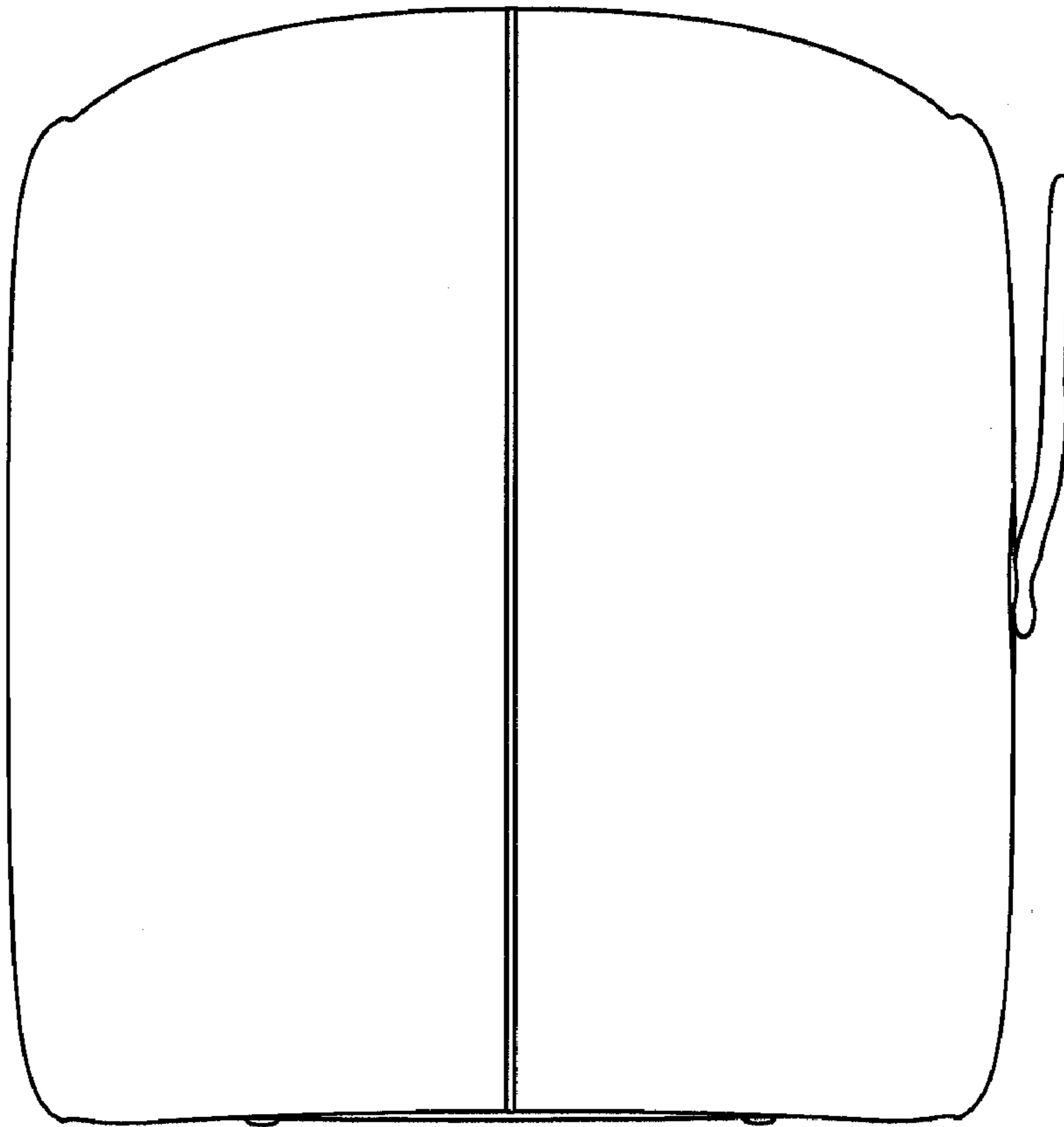


FIG. 6

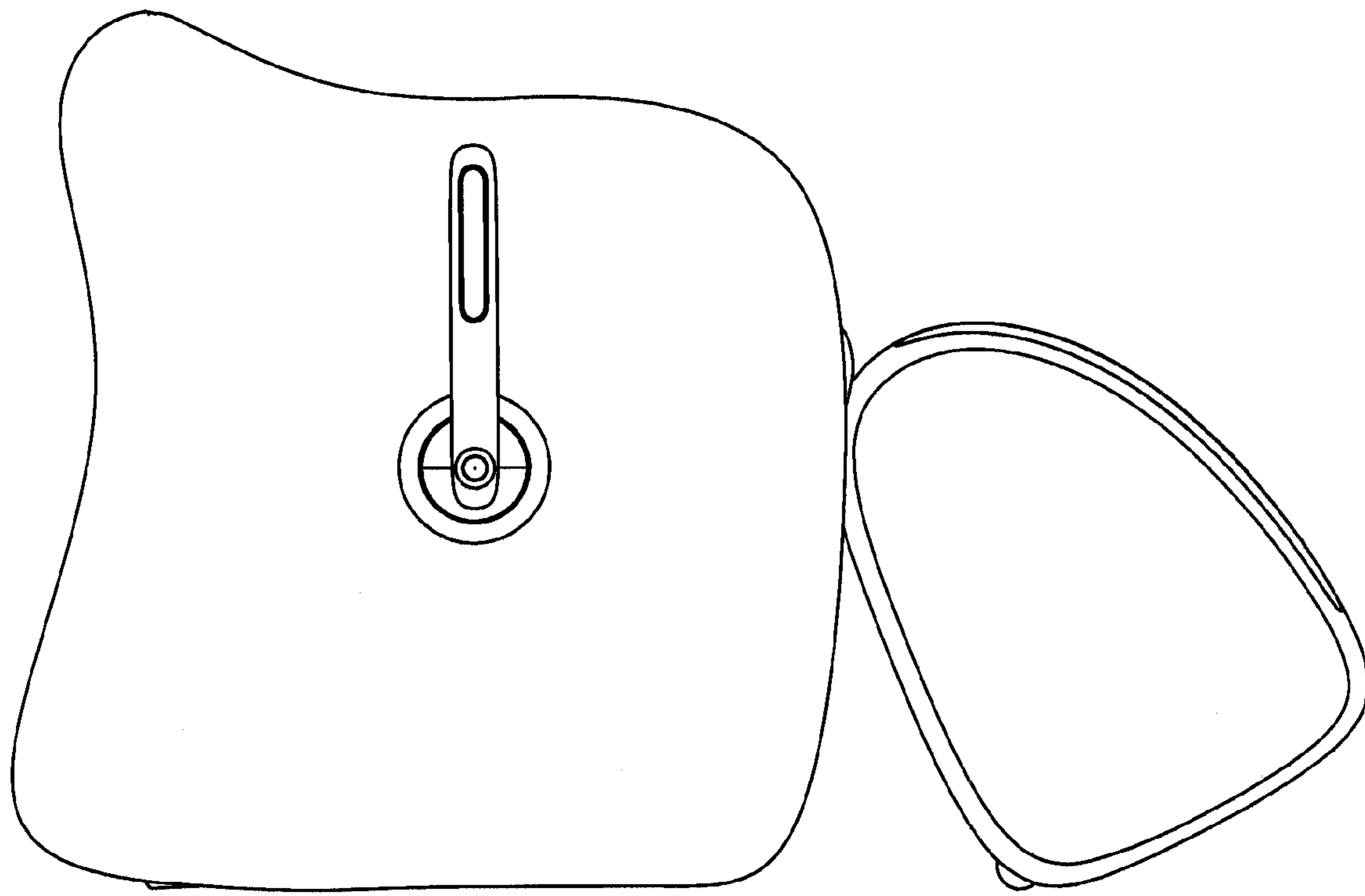


FIG. 7

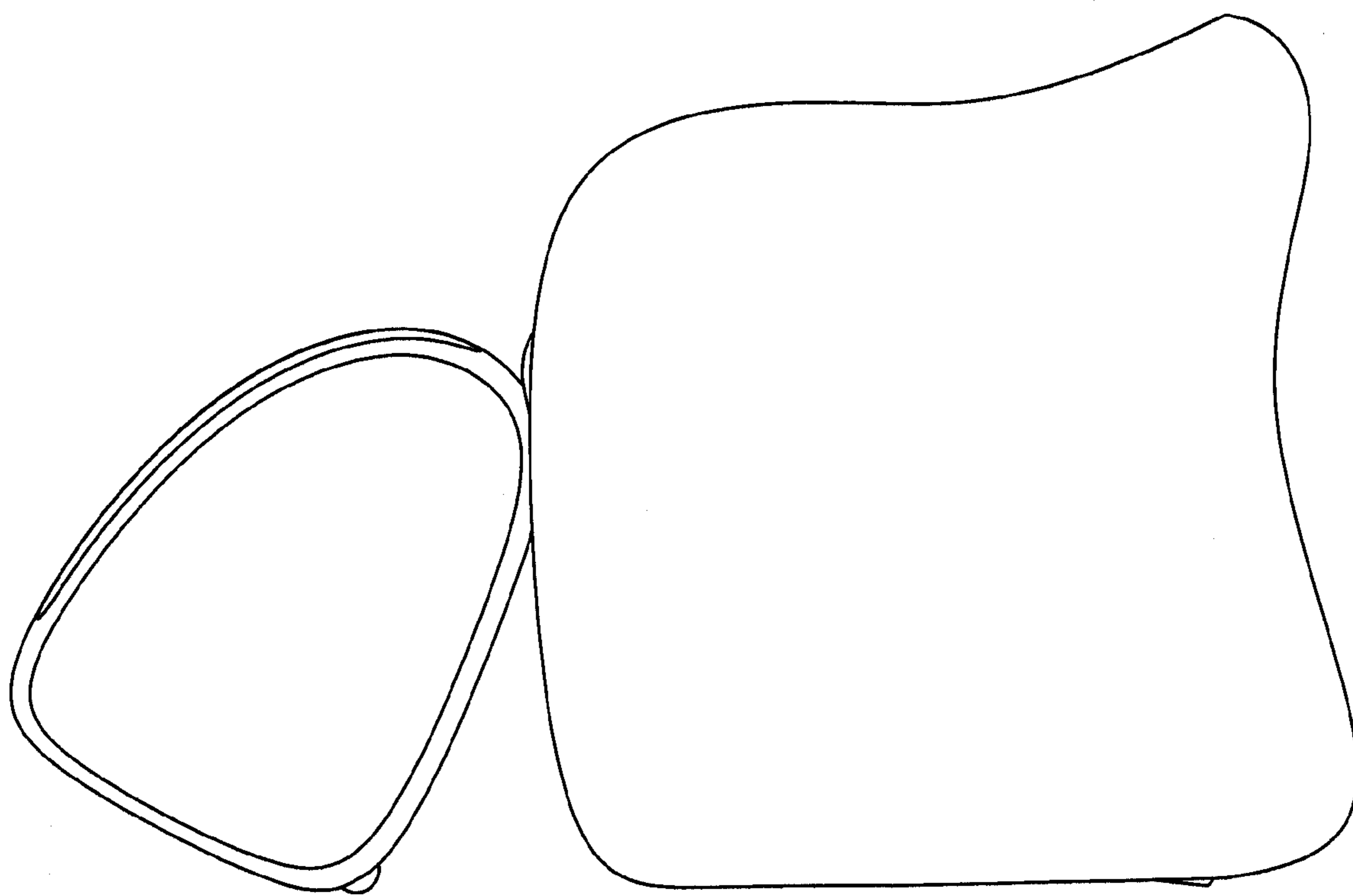


FIG. 8

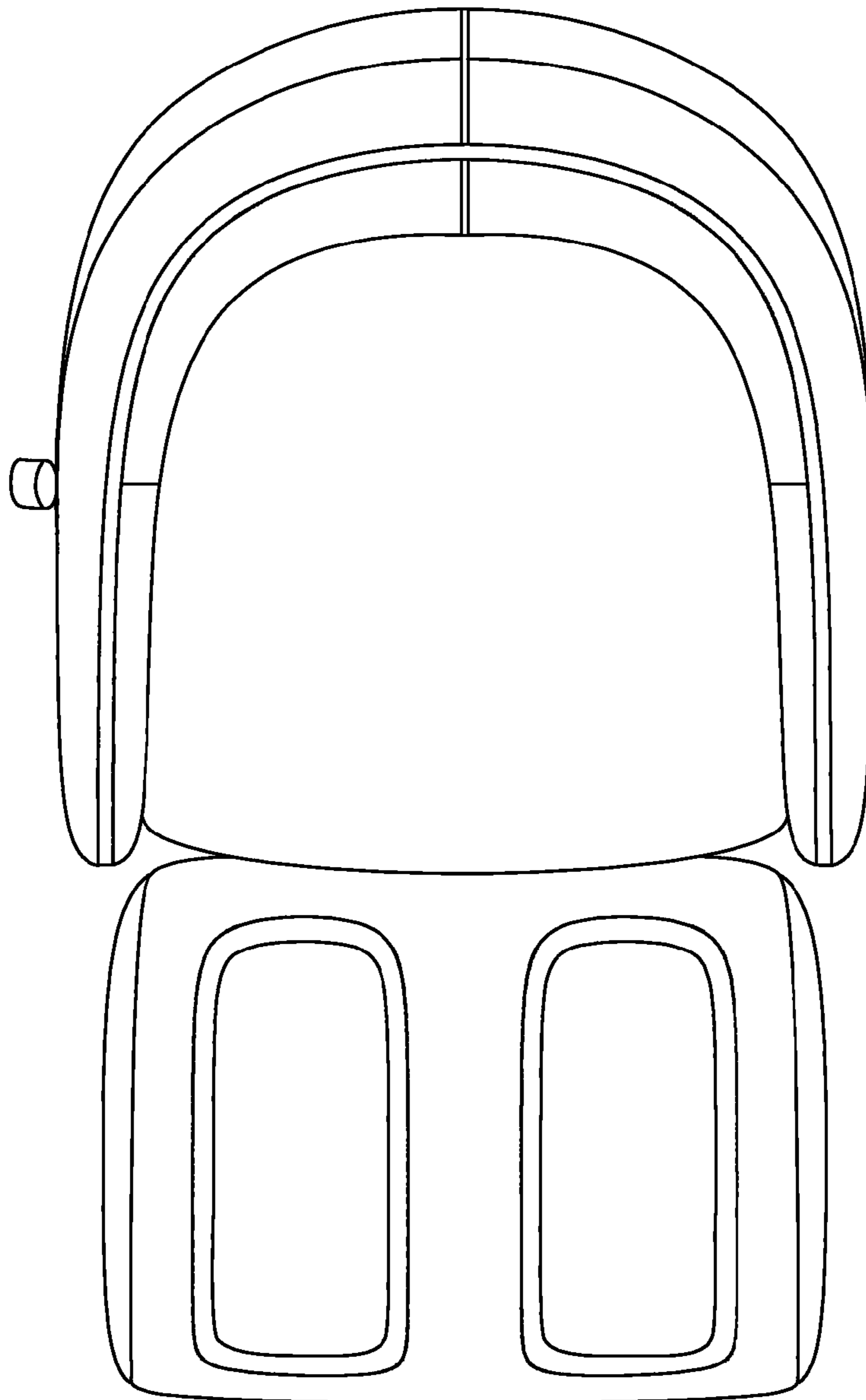


FIG. 9

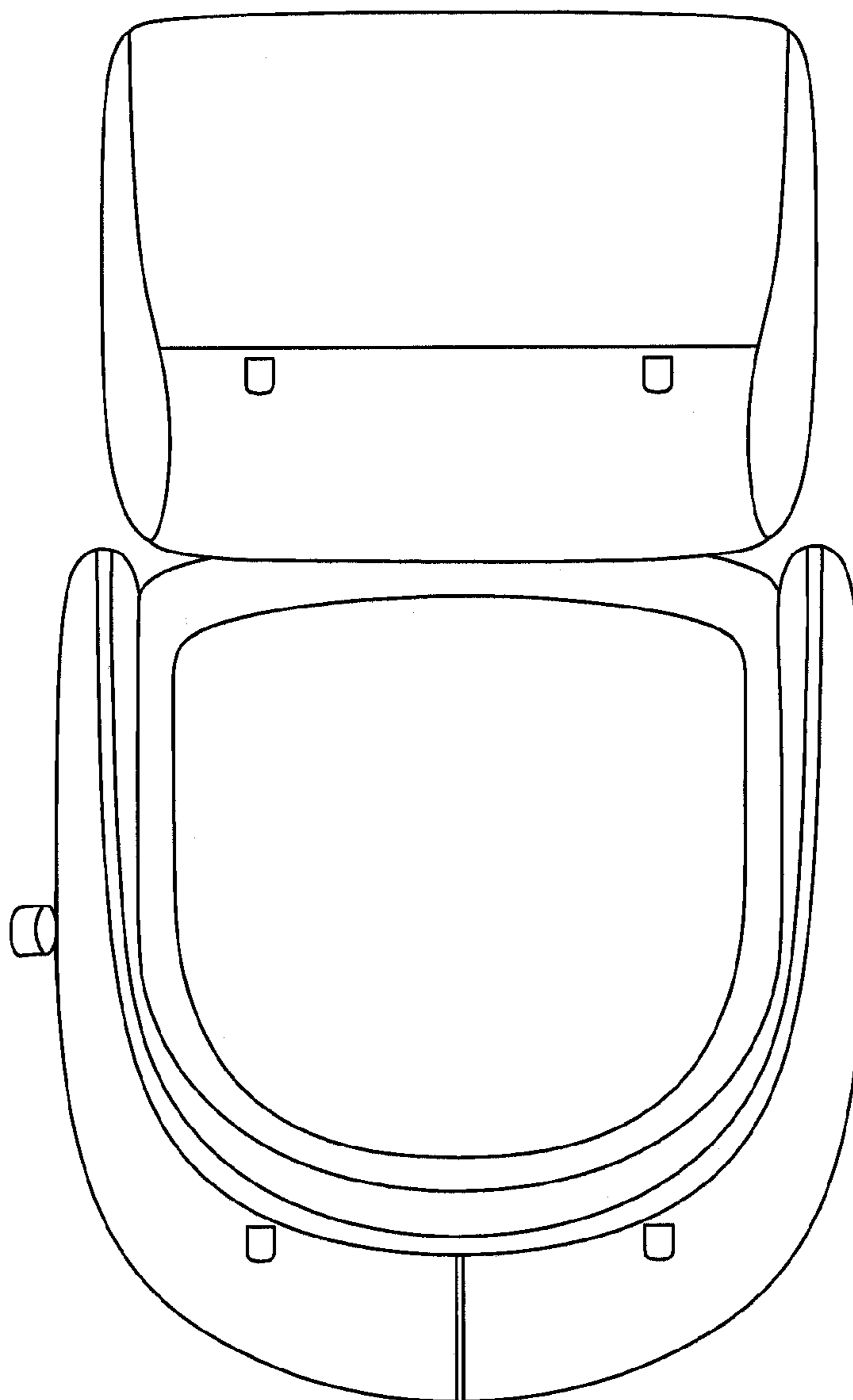


FIG. 10