



US00D619382S

(12) **United States Design Patent**  
**Chen et al.**

(10) **Patent No.:** **US D619,382 S**  
(45) **Date of Patent:** **\*\* Jul. 13, 2010**

(54) **HIGH CHAIR**

(75) Inventors: **Shun-Min Chen**, Taipei (TW); **Wen-Qu Hu**, Taipei (TW); **Nan-Gui Bu**, Taipei (TW)

(73) Assignee: **Wonderland Nurserygoods Hong Kong Company, Ltd.**, Hong Kong (CN)

(\*\*) Term: **14 Years**

(21) Appl. No.: **29/338,263**

(22) Filed: **Jun. 8, 2009**

(30) **Foreign Application Priority Data**

Dec. 10, 2008 (CN) ..... 2008 3 0351435

(51) **LOC (9) Cl.** ..... **06-01**

(52) **U.S. Cl.** ..... **D6/339**

(58) **Field of Classification Search** ..... D6/333,  
D6/335, 339, 491, 500-502, 596, 601; D12/129;  
D21/412, 419; 280/30, 31; 5/94, 98.1, 99.1,  
5/101, 102, 105, 655; 297/183.1, 183.2,  
297/183.3, 183.4, 184.13, 184.15, 184.17,  
297/250.1, 255, 256.1, 256.15, 256.16; 24/200,  
24/211; D24/204; 4/572.1

See application file for complete search history.

(56) **References Cited**

**U.S. PATENT DOCUMENTS**

D328,196 S \* 7/1992 Takahashi et al. .... D6/339  
D361,213 S \* 8/1995 Tokutake et al. .... D6/339

D361,672 S \* 8/1995 Mariol et al. .... D6/339  
D364,968 S \* 12/1995 Chien ..... D6/339  
D373,029 S \* 8/1996 Mariol et al. .... D6/339  
D386,911 S \* 12/1997 Perego ..... D6/339  
D426,965 S \* 6/2000 Wu ..... D6/339  
D428,715 S \* 8/2000 Brevi ..... D6/339  
D451,689 S \* 12/2001 Chen et al. .... D6/339  
D454,007 S \* 3/2002 Huang ..... D6/339  
D478,219 S \* 8/2003 Greger ..... D6/339  
6,910,735 B2 \* 6/2005 Asbach et al. .... 297/284.3  
D579,673 S \* 11/2008 Mancuso et al. .... D6/339

\* cited by examiner

*Primary Examiner*—Sandra Snapp

(74) *Attorney, Agent, or Firm*—Marger Johnson & McCollom, P.C.

(57) **CLAIM**

The ornamental design for high chair, as shown and described.

**DESCRIPTION**

FIG. 1 is a perspective view of high chair showing my new design;

FIG. 2 is a front elevational view thereof;

FIG. 3 is a rear elevational view thereof;

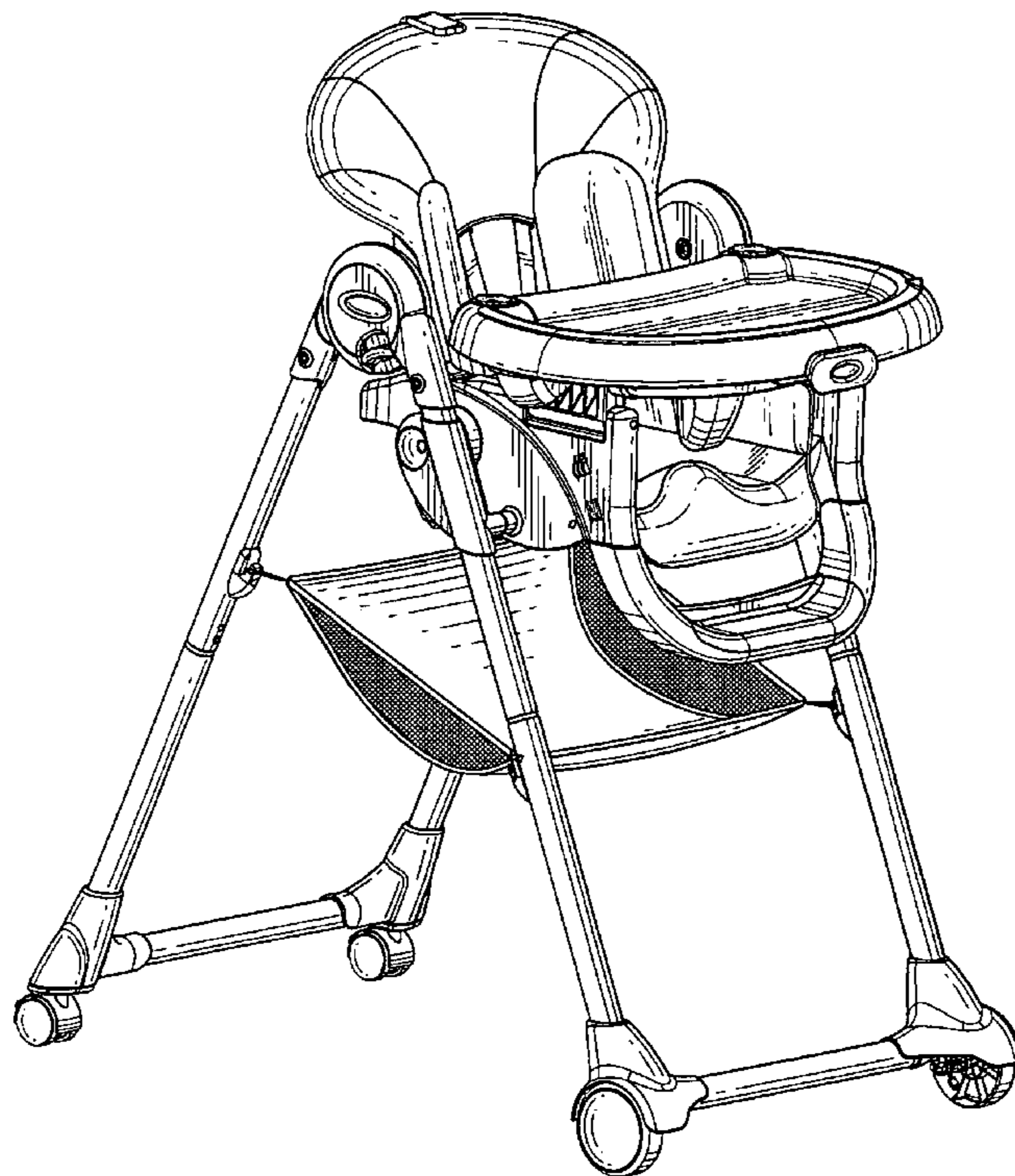
FIG. 4 is a right side elevational view thereof;

FIG. 5 is a left side elevational view thereof;

FIG. 6 is a top plan view thereof; and,

FIG. 7 is a bottom plan view thereof.

**1 Claim, 7 Drawing Sheets**



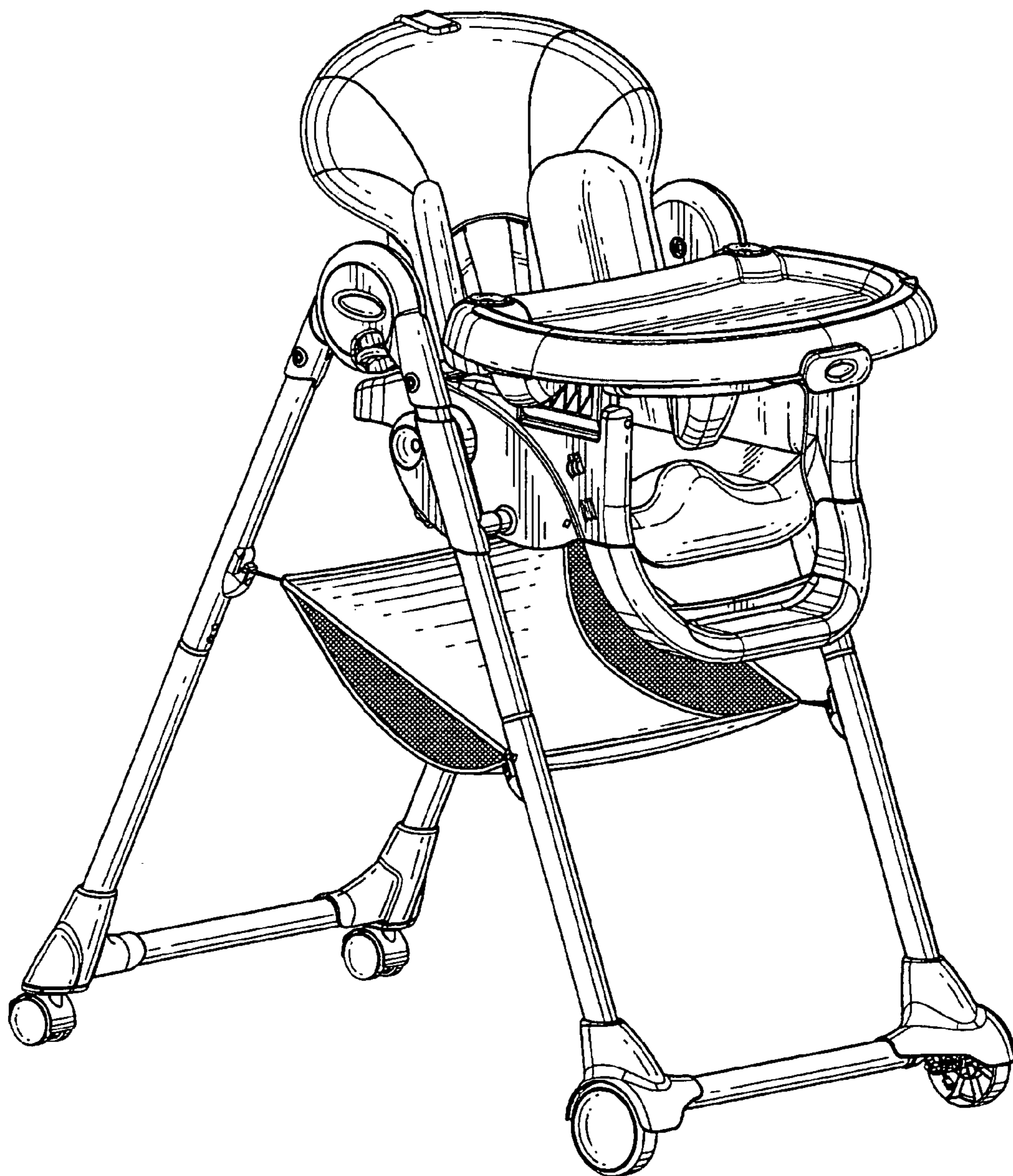


FIG. 1

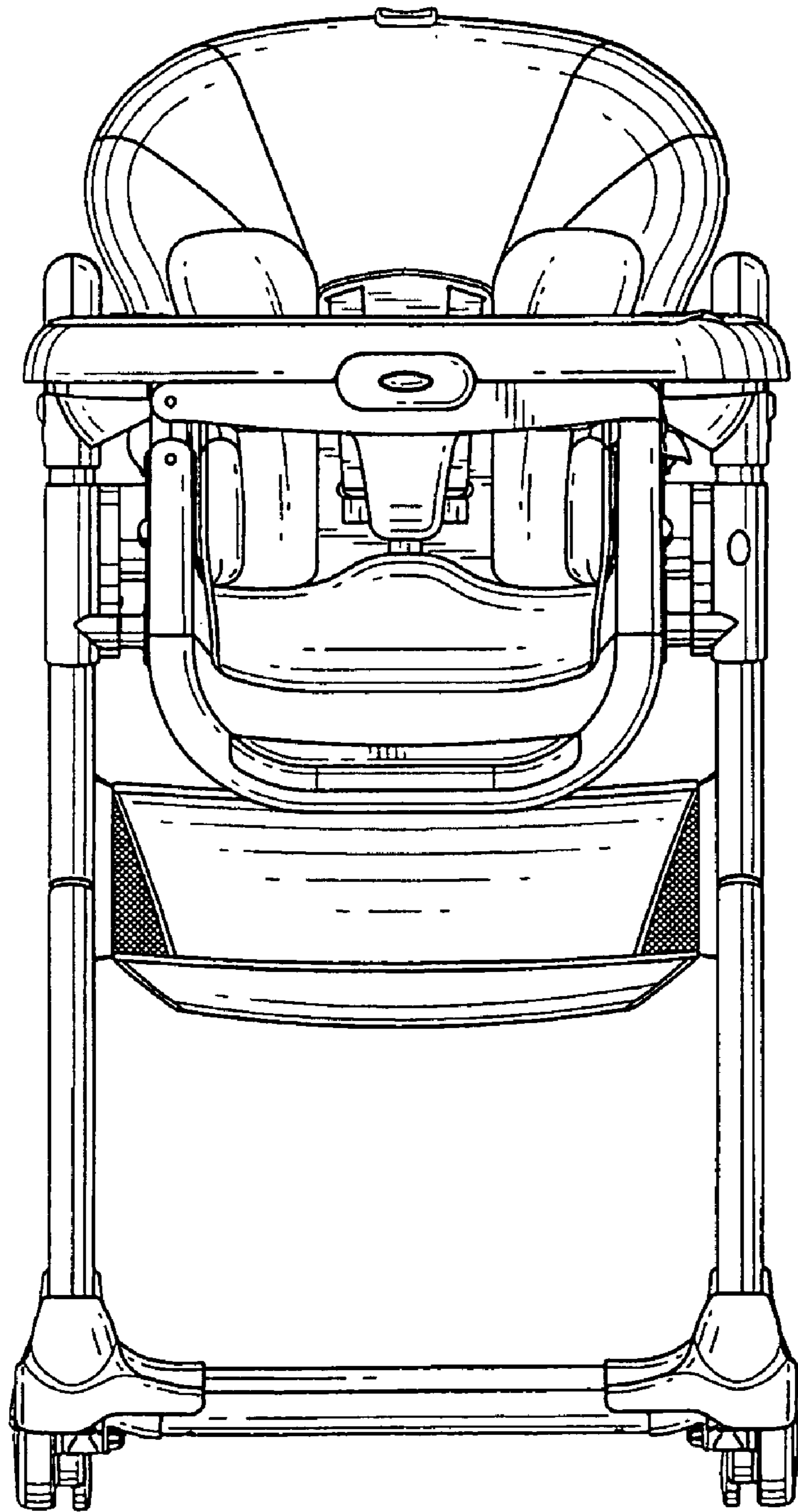


FIG. 2

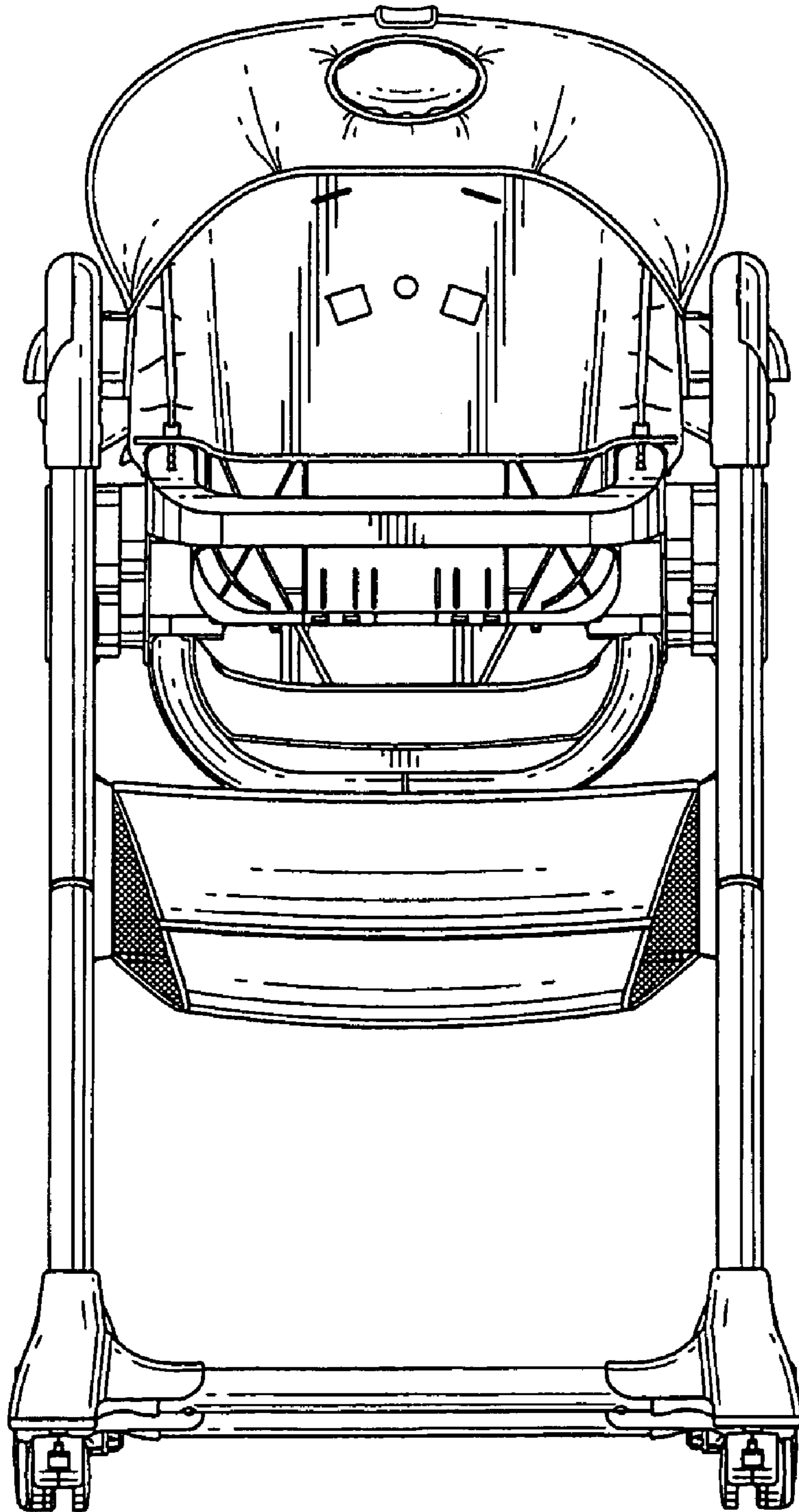


FIG. 3

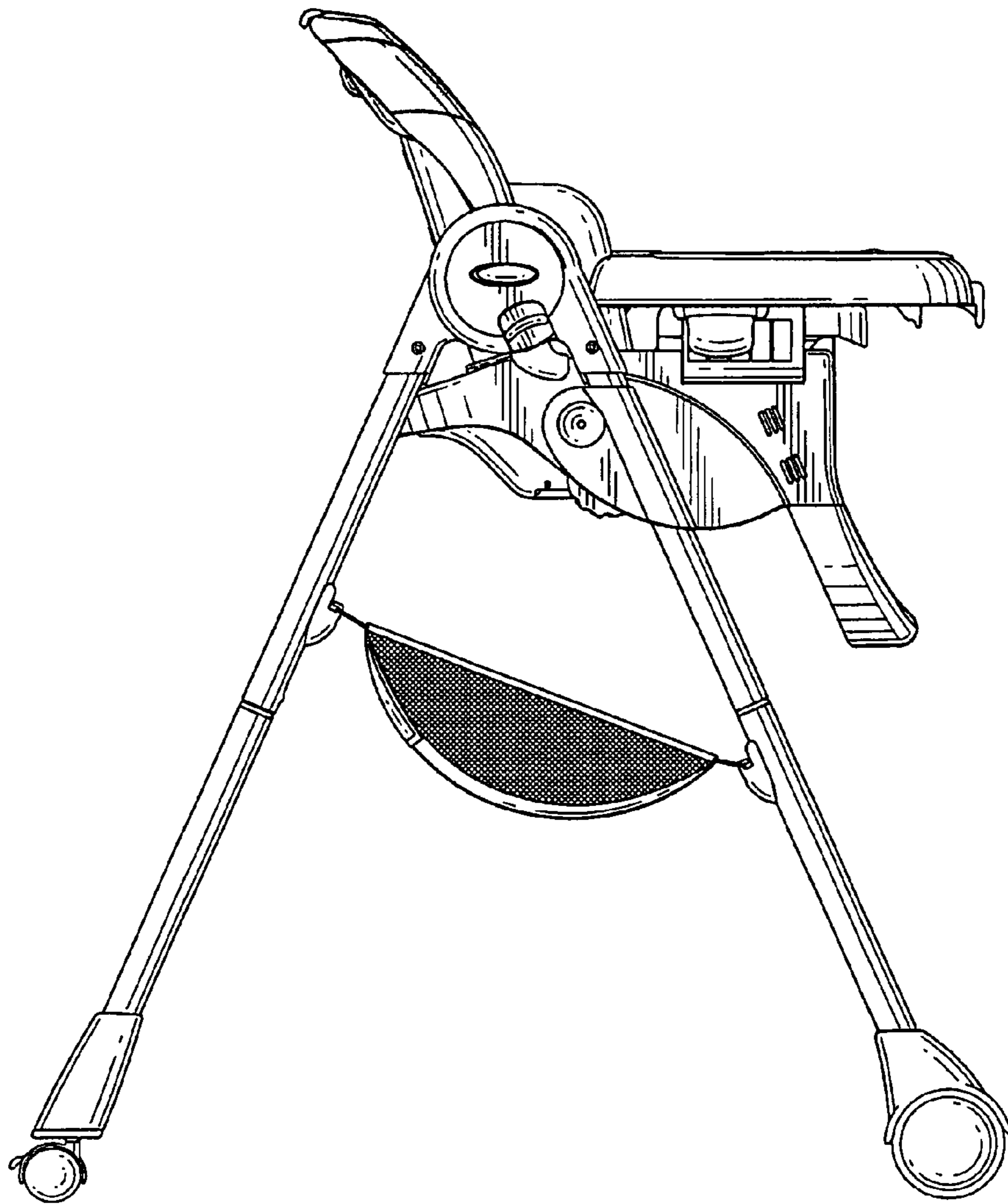


FIG. 4

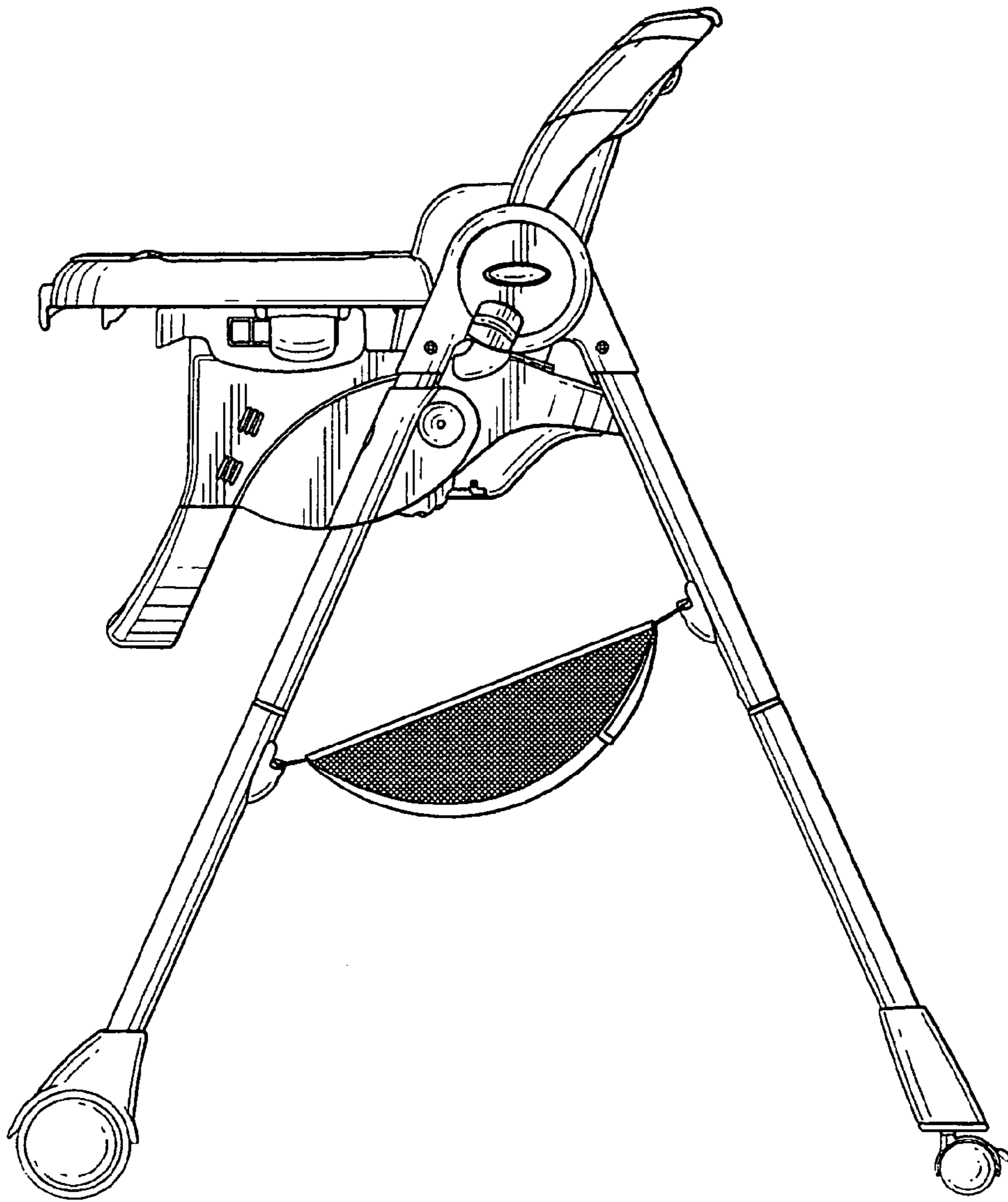


FIG. 5

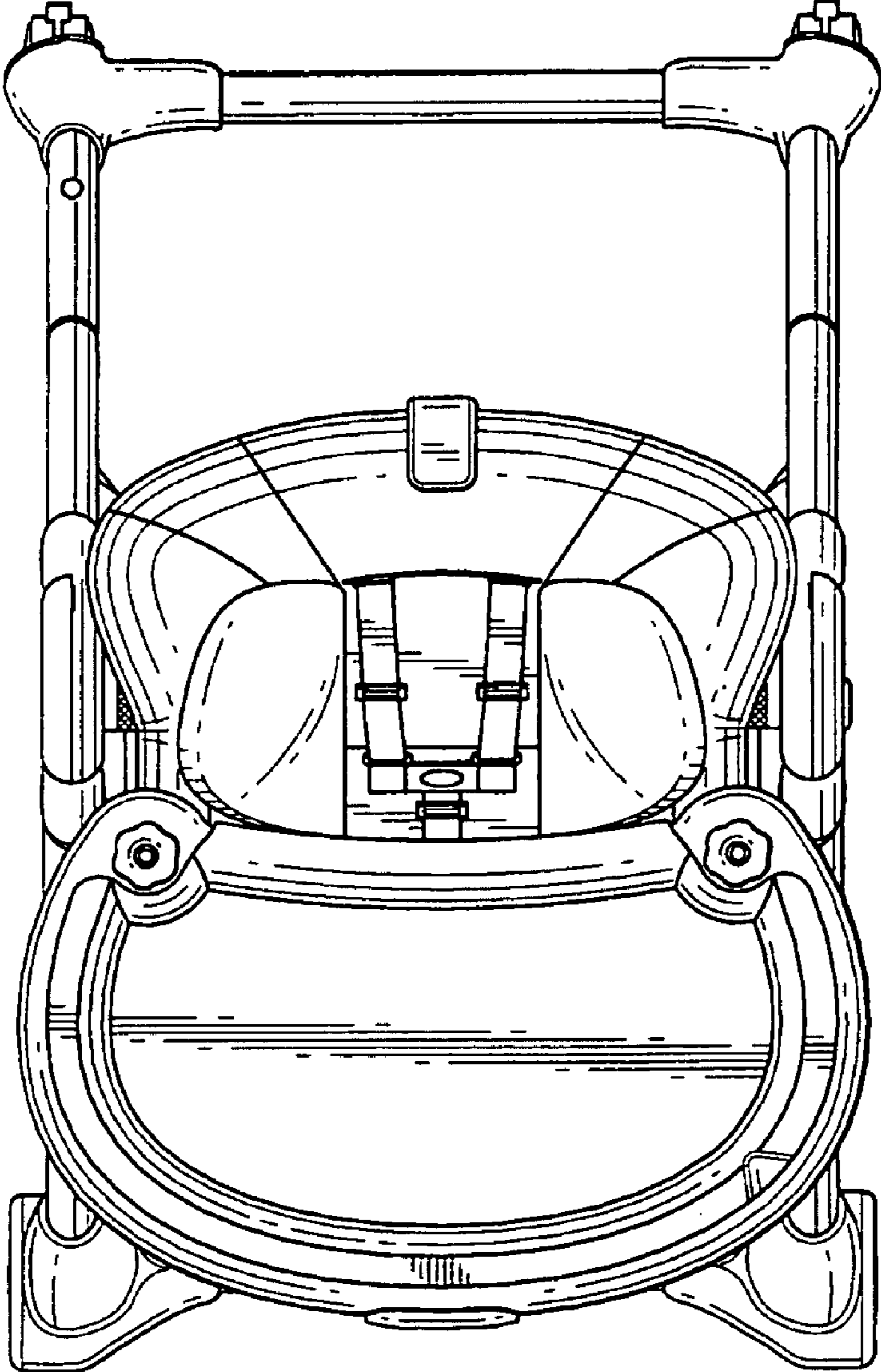


FIG. 6

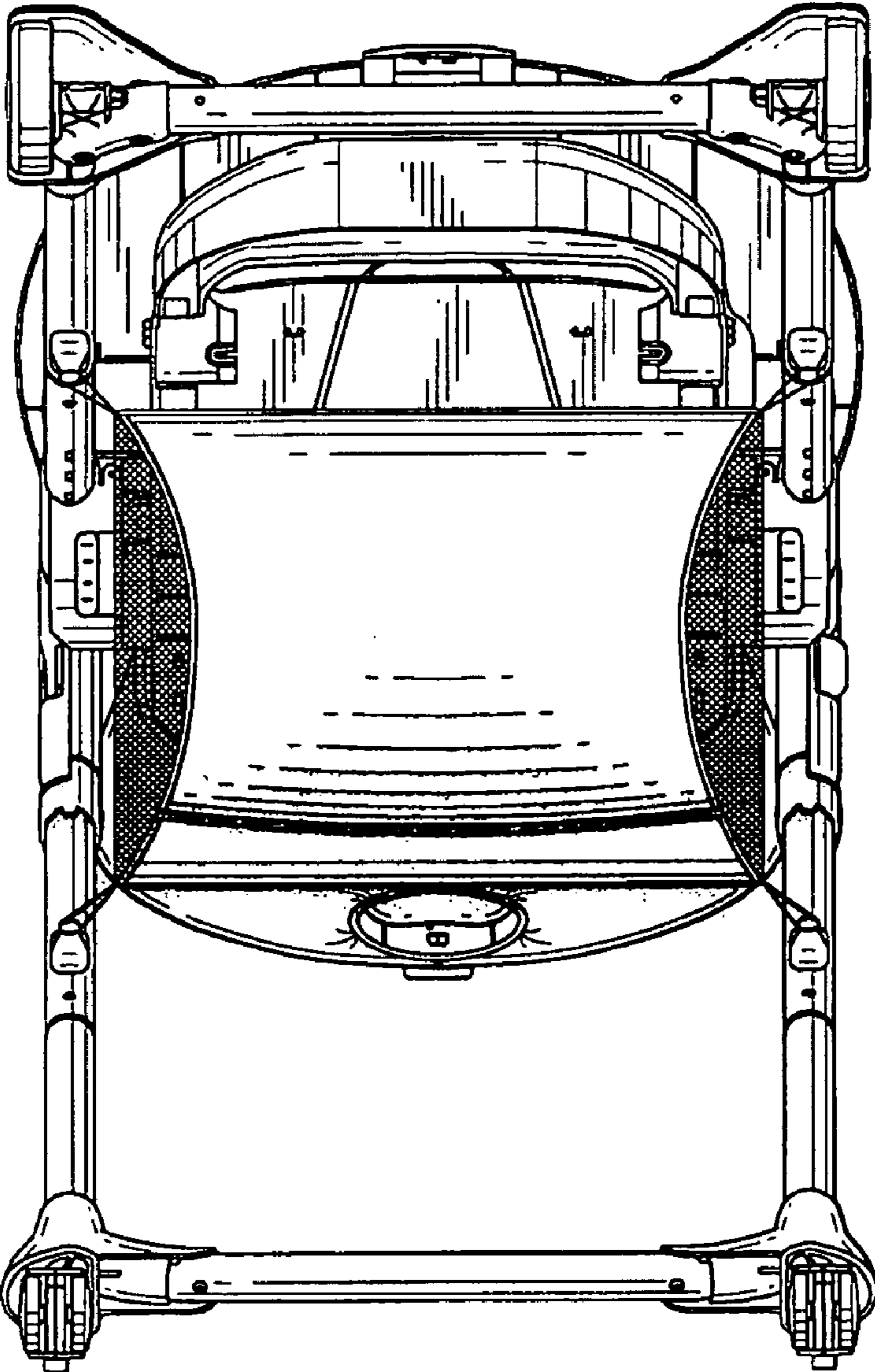


FIG. 7