

US00D619381S

(12) **United States Design Patent**
Larsvall

(10) **Patent No.:** **US D619,381 S**
(45) **Date of Patent:** **** Jul. 13, 2010**

(54) **HIGH CHAIR**

(75) Inventor: **Johan Larsvall**, Stockholm (SE)

(73) Assignee: **Simpleworld Holding AB**, Stockholm (SE)

(**) Term: **14 Years**

(21) Appl. No.: **29/311,937**

(22) Filed: **Aug. 3, 2009**

(30) **Foreign Application Priority Data**

Feb. 3, 2009 (EM) 001085369

(51) **LOC (9) Cl.** **06-01**

(52) **U.S. Cl.** **D6/339**

(58) **Field of Classification Search** D6/333,
D6/335, 339, 491, 500-502; D12/129; D21/412,
D21/419; 280/30, 31; 5/94, 98.1, 99.1, 101,
5/102, 105, 655; 297/183.1, 183.2, 183.3,
297/183.4, 184.13, 184.15, 184.17, 250.1,
297/255, 256.1, 256.15, 256.16; 24/200,
24/211

See application file for complete search history.

(56) **References Cited**

U.S. PATENT DOCUMENTS

4,109,961 A * 8/1978 Opsvik 297/338
4,723,813 A * 2/1988 Kassai 297/153
4,958,885 A * 9/1990 Kassai 297/55

D337,665 S * 7/1993 Tsuchiya D6/339
D344,640 S * 3/1994 Chuang D6/339
D352,614 S * 11/1994 Adams D6/370
D368,593 S * 4/1996 Cone, II D6/339
D373,029 S * 8/1996 Mariol et al. D6/339
D483,958 S * 12/2003 Chen D6/339
D484,322 S * 12/2003 Pomme D6/339
D576,411 S * 9/2008 Wang D6/339
D588,824 S * 3/2009 Lin D6/339
D590,159 S * 4/2009 Lin D6/339
D594,667 S * 6/2009 Wang D6/339

* cited by examiner

Primary Examiner—Sandra Snapp
(74) *Attorney, Agent, or Firm*—Sughrue Mion, PLLC

(57) **CLAIM**

The ornamental design for a high chair, as shown and described.

DESCRIPTION

FIG. 1 is a front view of the high chair showing my new design;

FIG. 2 is a left side view thereof;

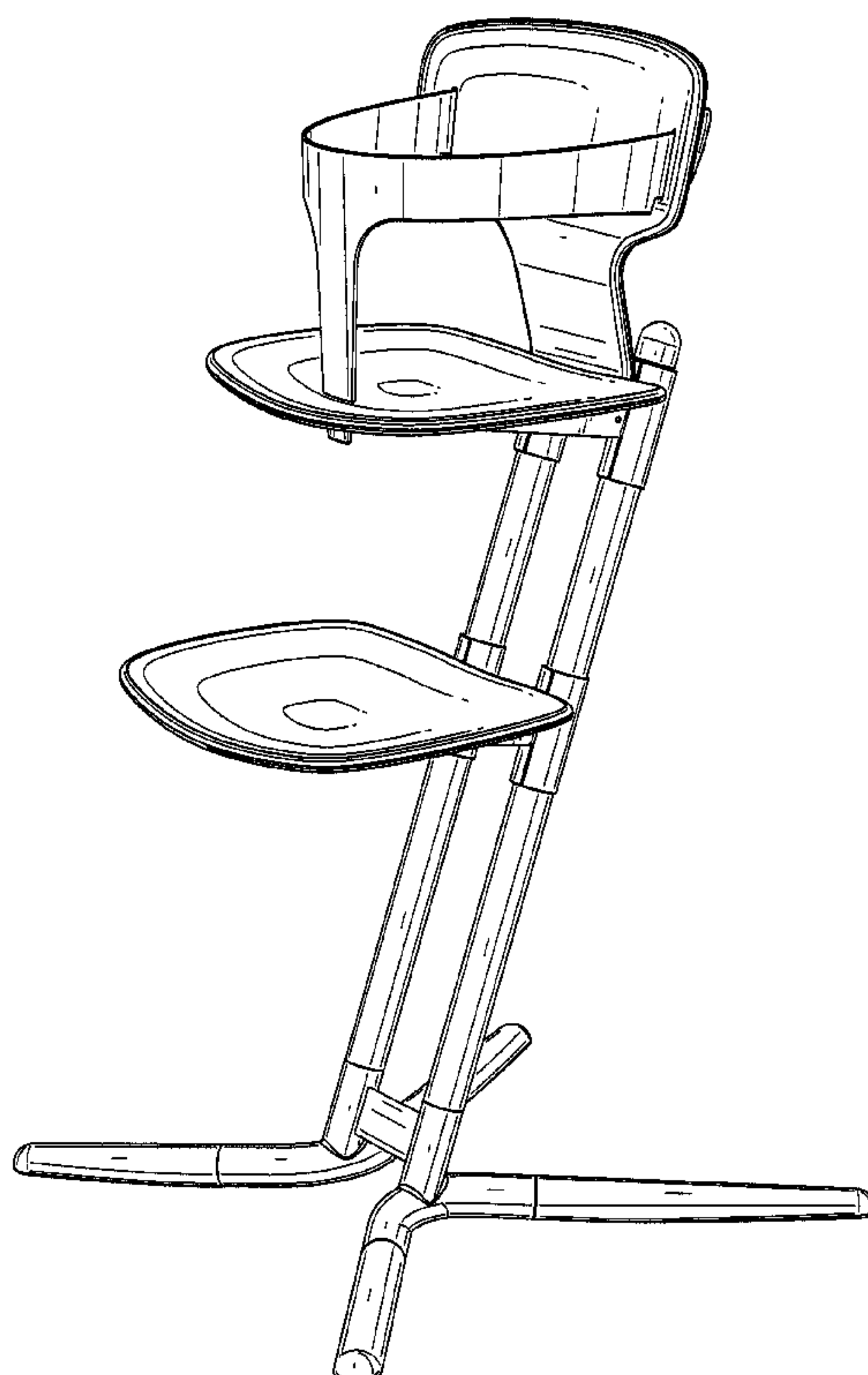
FIG. 3 is a rear view thereof;

FIG. 4 is a top perspective view thereof;

FIG. 5 is a front-left perspective view thereof; and,

FIG. 6 is a rear-left perspective view thereof.

1 Claim, 6 Drawing Sheets



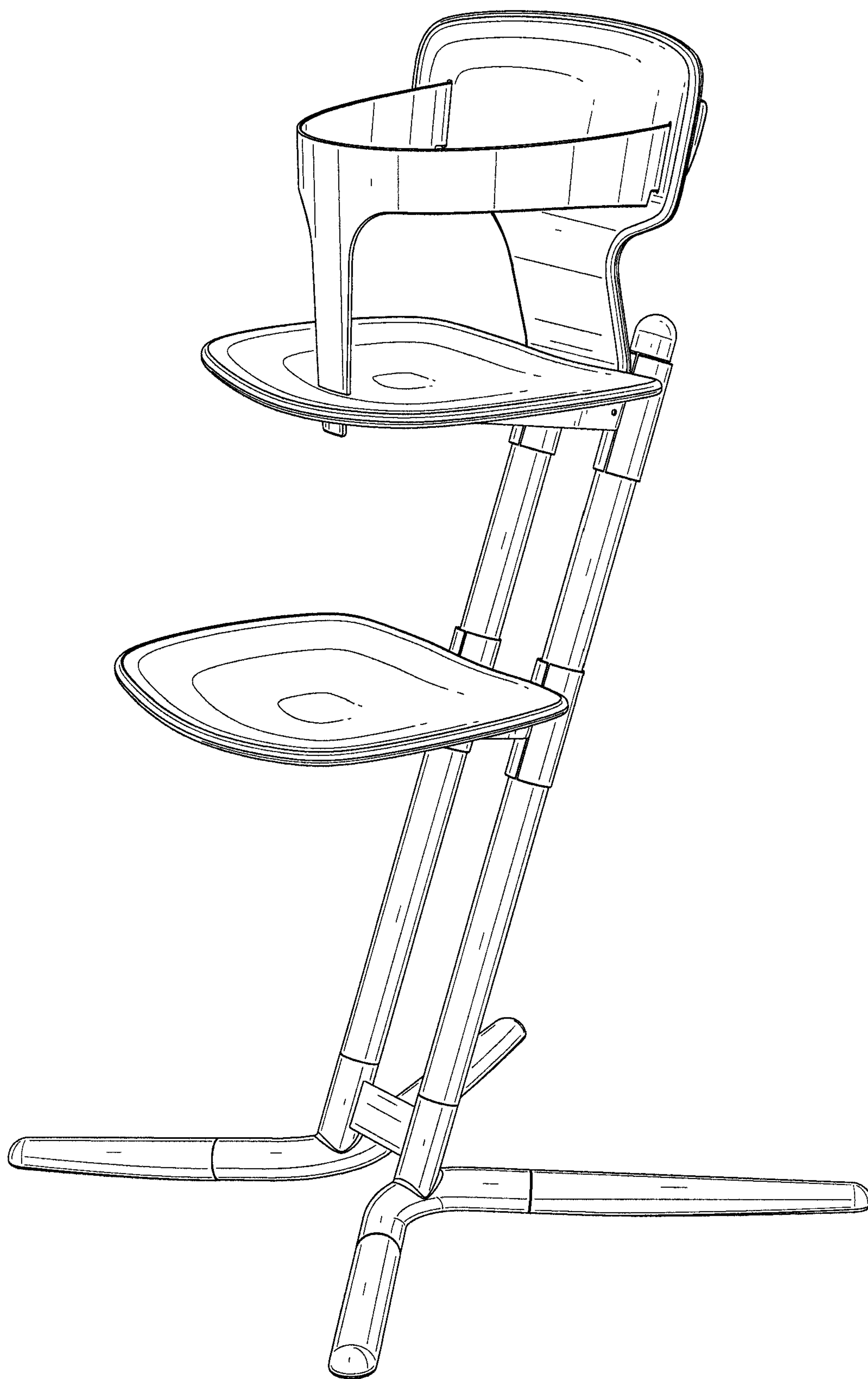


FIG. 1

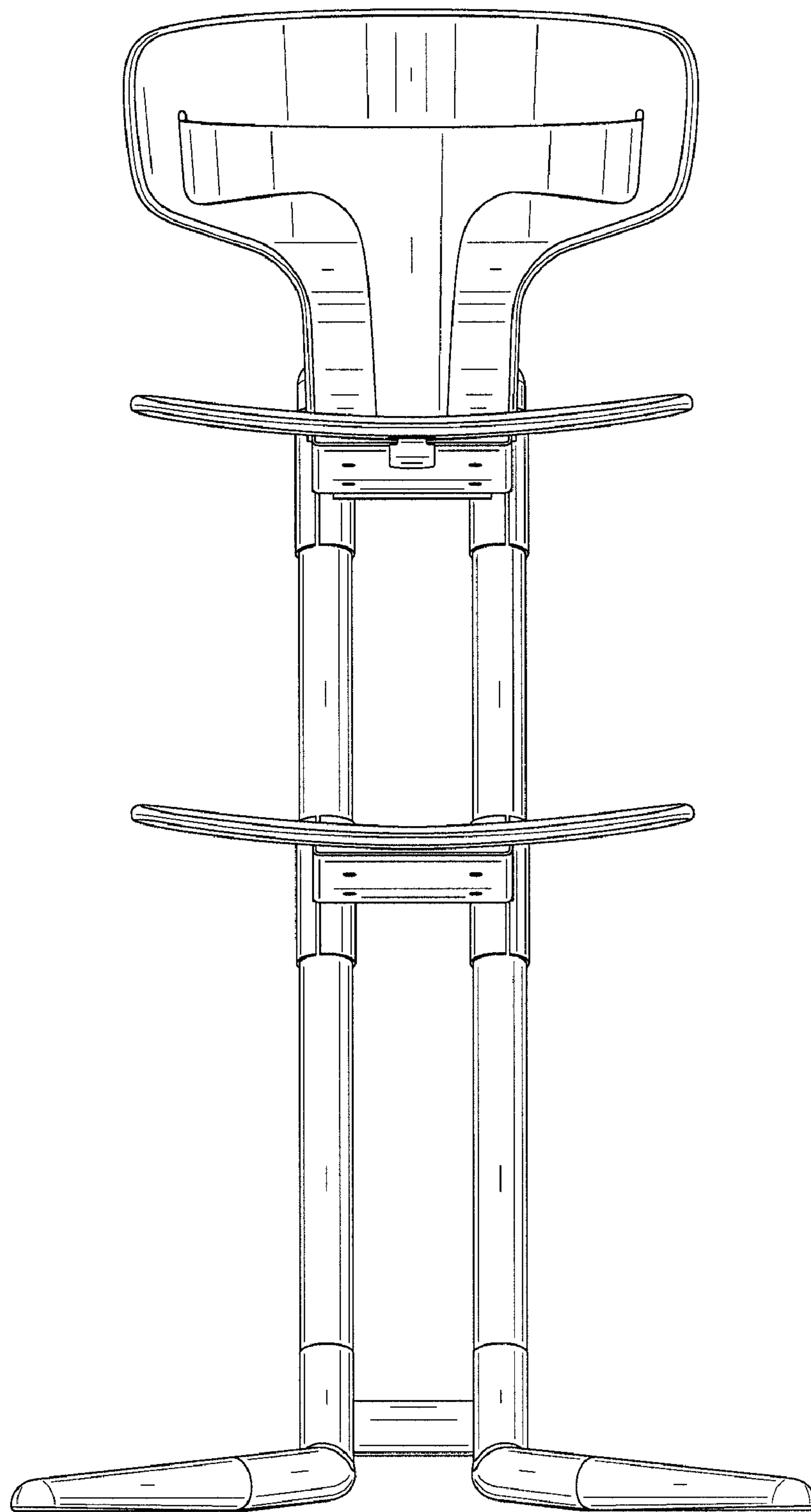


FIG. 2

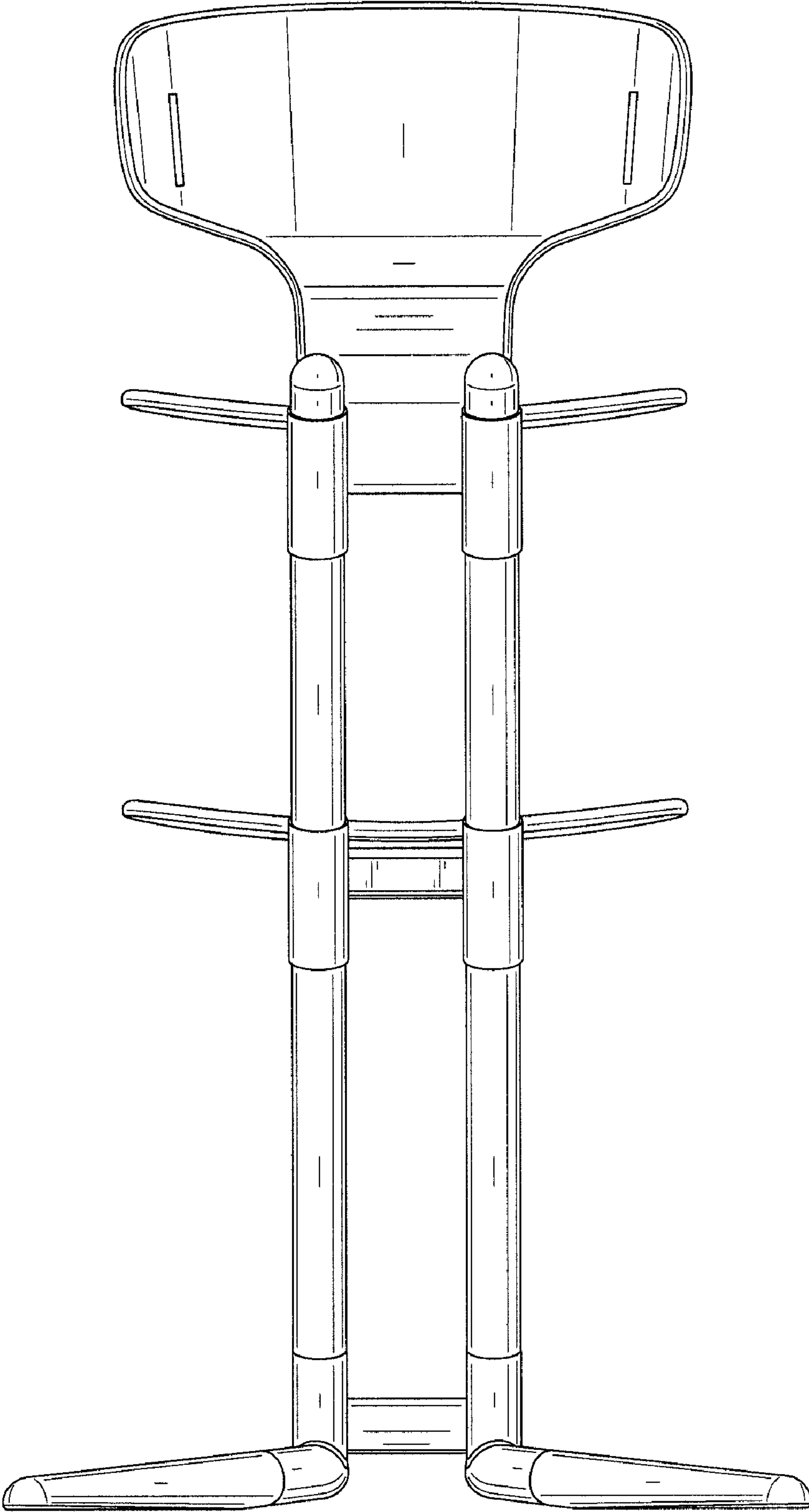


FIG. 3

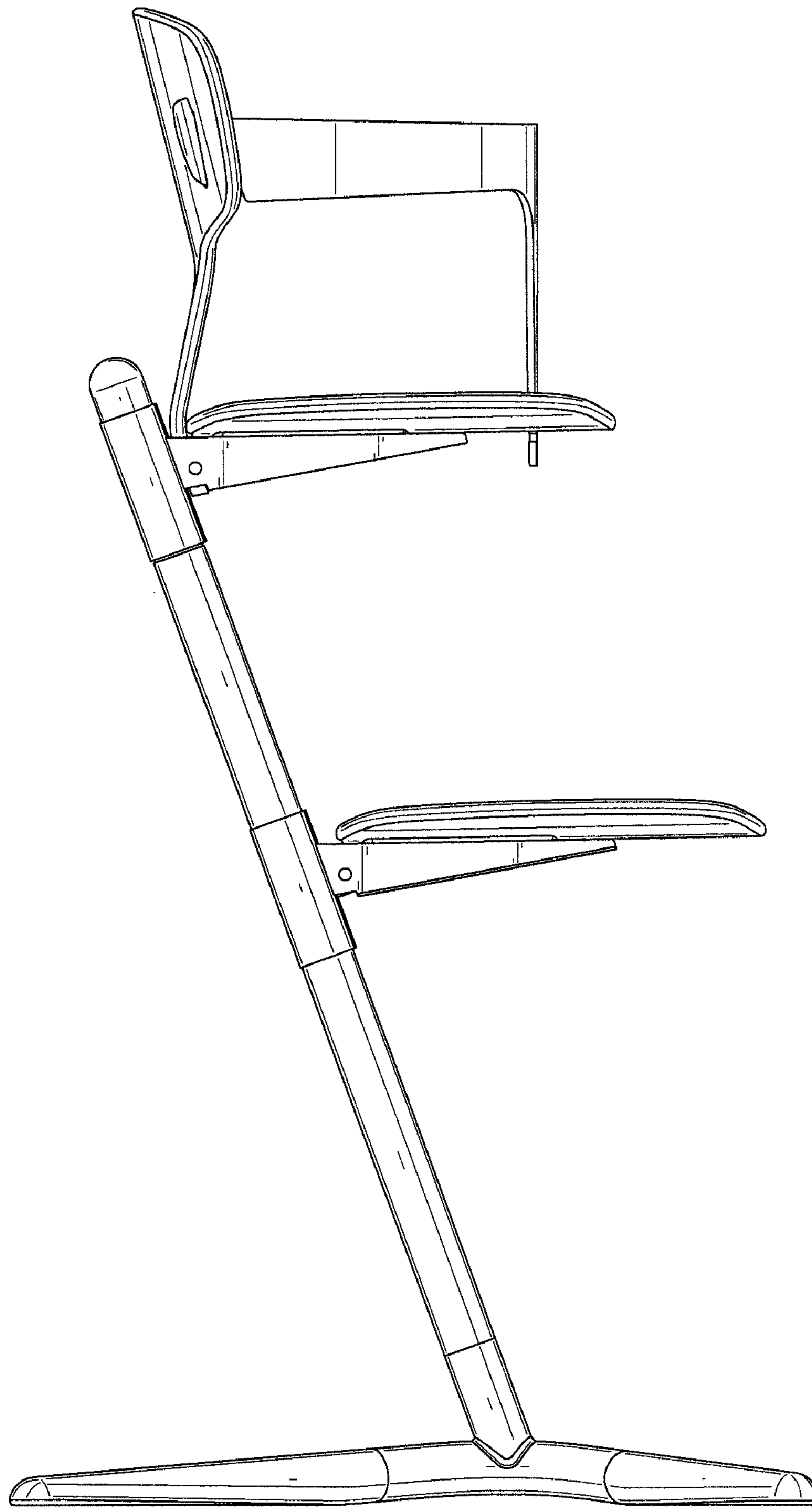


FIG. 4

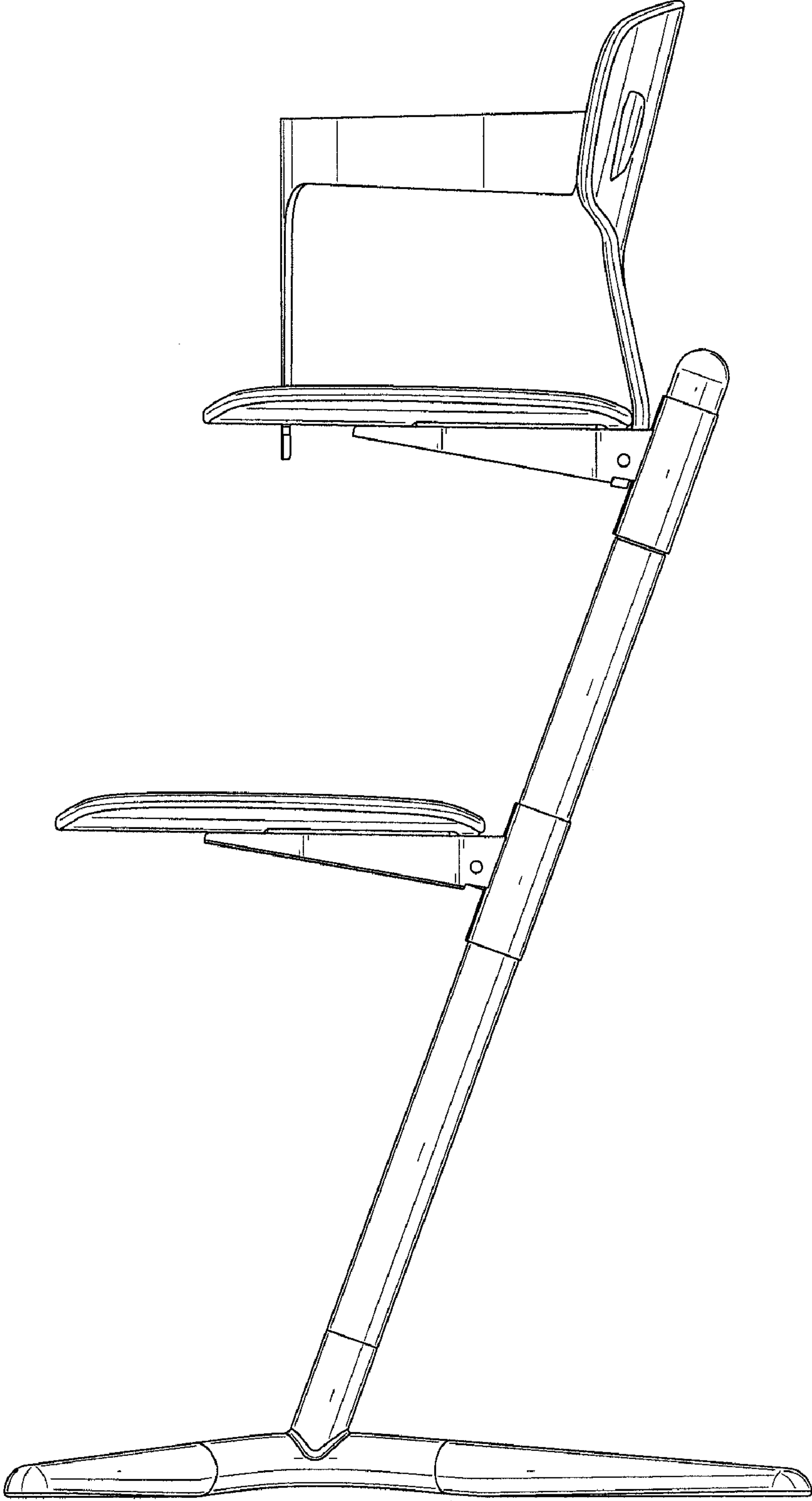


FIG. 5

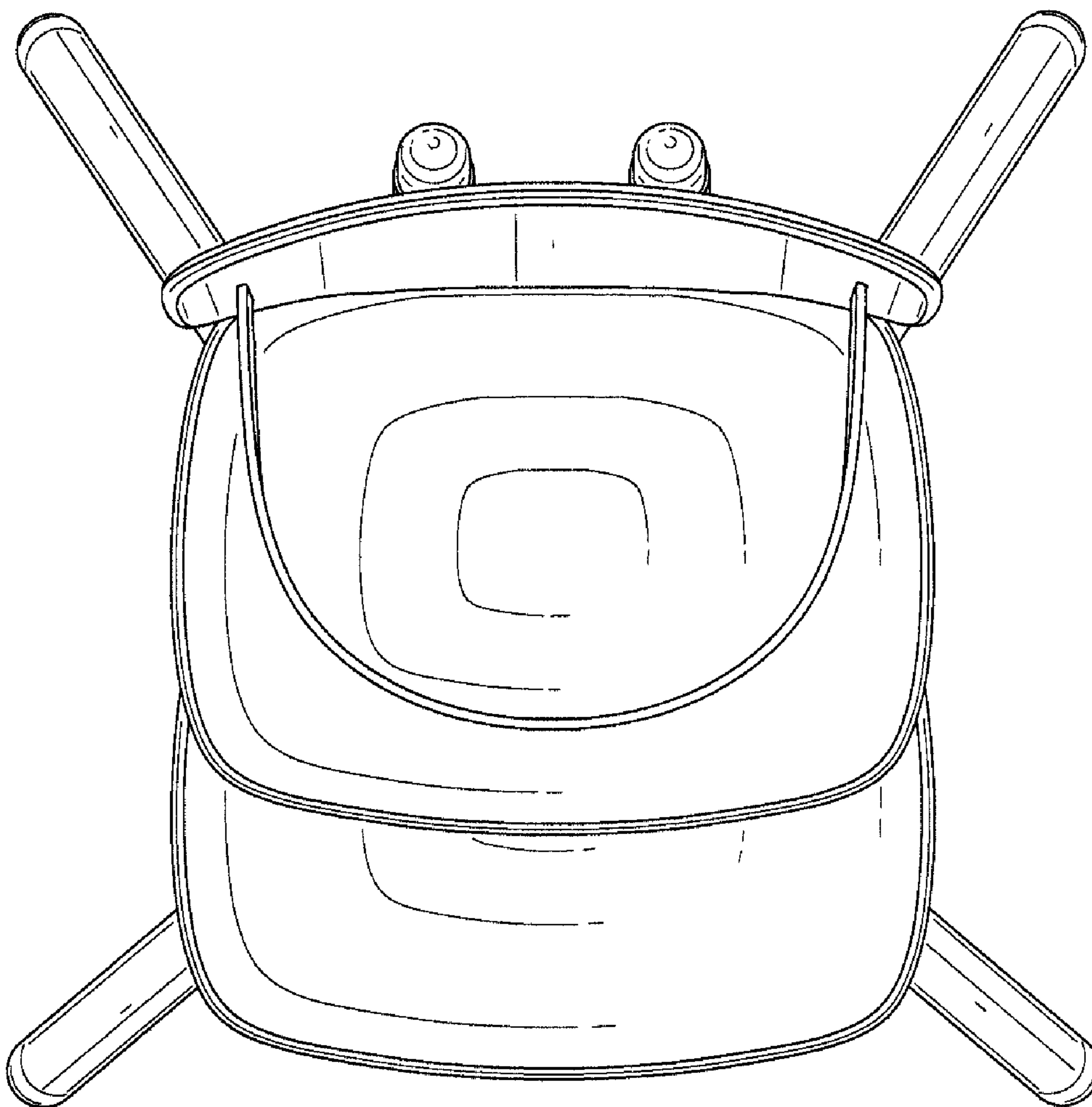


FIG. 6