



US00D619380S

(12) **United States Design Patent**
Daeseleire

(10) **Patent No.:** **US D619,380 S**

(45) **Date of Patent:** **** Jul. 13, 2010**

(54) **INFANT CARRIER**

(75) Inventor: **Bruno Daeseleire**, Brasschaat (BE)

(73) Assignee: **MYKKO, naamloze vennootschap**, Schoten (BE)

(**) Term: **14 Years**

(21) Appl. No.: **29/300,625**

(22) Filed: **Apr. 21, 2008**

(30) **Foreign Application Priority Data**

Oct. 22, 2007 (EM) 000812821

(51) **LOC (9) Cl.** **06-01**

(52) **U.S. Cl.** **D6/333**

(58) **Field of Classification Search** D6/333,
D6/335, 339, 491, 500-502; D12/129; D21/412,
D21/419; 280/30, 31; 5/94, 98.1, 99.1, 101,
5/102, 105, 655; 297/183.1, 183.2, 183.3,
297/183.4, 184.13, 184.15, 184.17, 250.1,
297/255, 256.1, 256.15, 256.16; 24/200,
24/211

See application file for complete search history.

(56) **References Cited**

U.S. PATENT DOCUMENTS

2,235,293 A * 3/1941 Mellon 5/93.1
2,551,509 A * 5/1951 Smith 294/140
3,096,917 A * 7/1963 Gudiksen 294/140
D272,015 S * 1/1984 Black D3/213

4,571,760 A * 2/1986 Kassai 5/99.1
5,115,523 A * 5/1992 Cone 5/94
D400,703 S * 11/1998 Cabagnero D3/213
5,947,552 A * 9/1999 Wilkins et al. 297/16.1
6,257,659 B1 * 7/2001 Wilkins et al. 297/16.1
6,390,555 B2 * 5/2002 Wilkins et al. 297/354.13
D463,921 S * 10/2002 Shillam D6/390
6,526,607 B2 * 3/2003 Shillam et al. 5/93.1
D506,322 S * 6/2005 Owen D6/333
D572,027 S * 7/2008 Hui D6/333
D576,408 S * 9/2008 Forshpan D6/333
D589,268 S * 3/2009 Jane Stopp D6/333

* cited by examiner

Primary Examiner—Sandra Snapp

(74) *Attorney, Agent, or Firm*—Bacon & Thomas, PLLC

(57) **CLAIM**

The ornamental design for an infant carrier, as shown and described.

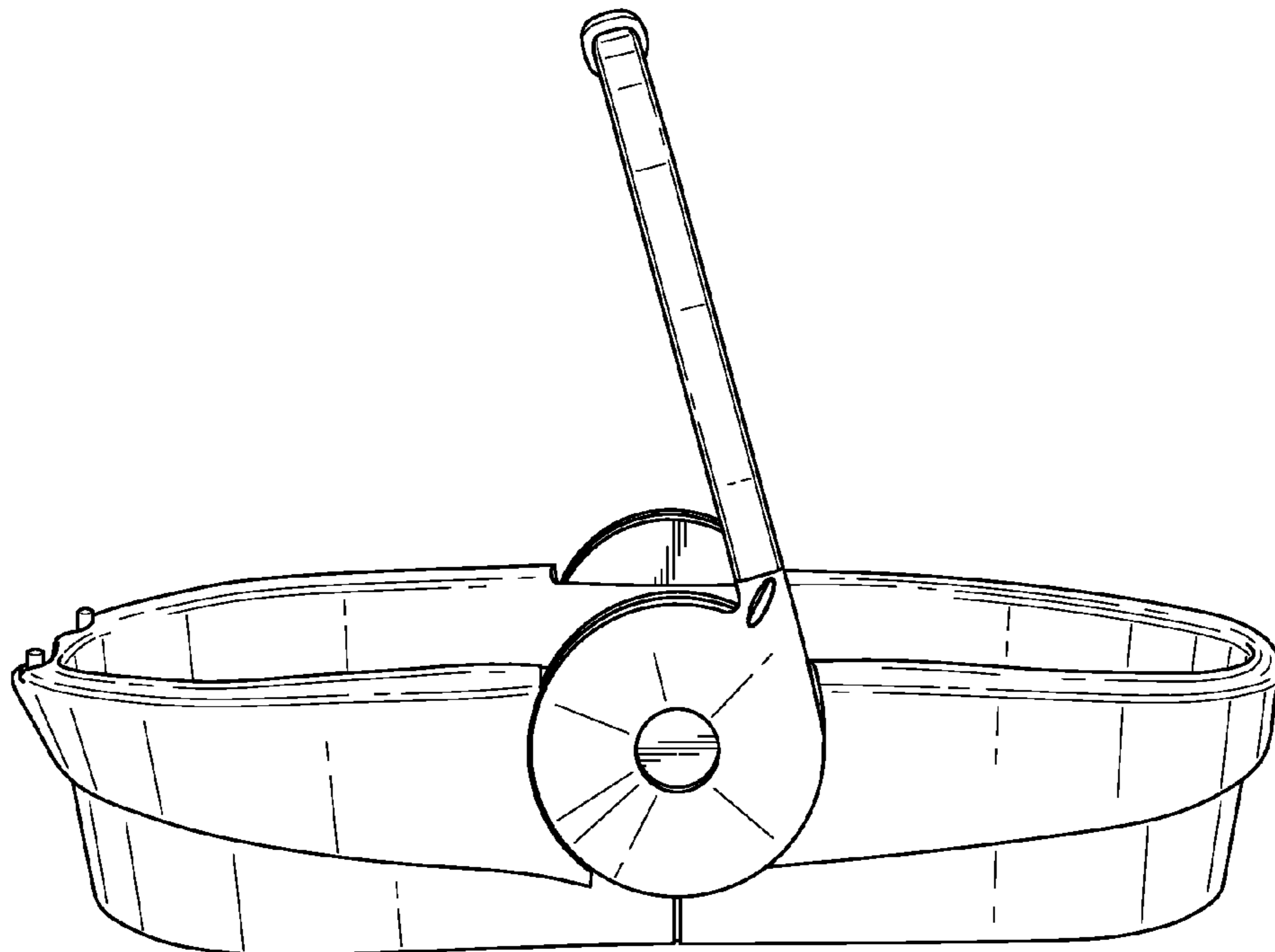
DESCRIPTION

FIG. 1 is an upper perspective view of my new design for an infant carrier in a folded position;

FIG. 2 is a front elevation view thereof in an open position, with the carrying handle folded, the rear elevation view being a mirror image; and,

FIG. 3 is a front elevation view corresponding with FIG. 2, with the carrying handle elevated, the rear elevation view being a mirror image thereof.

1 Claim, 3 Drawing Sheets



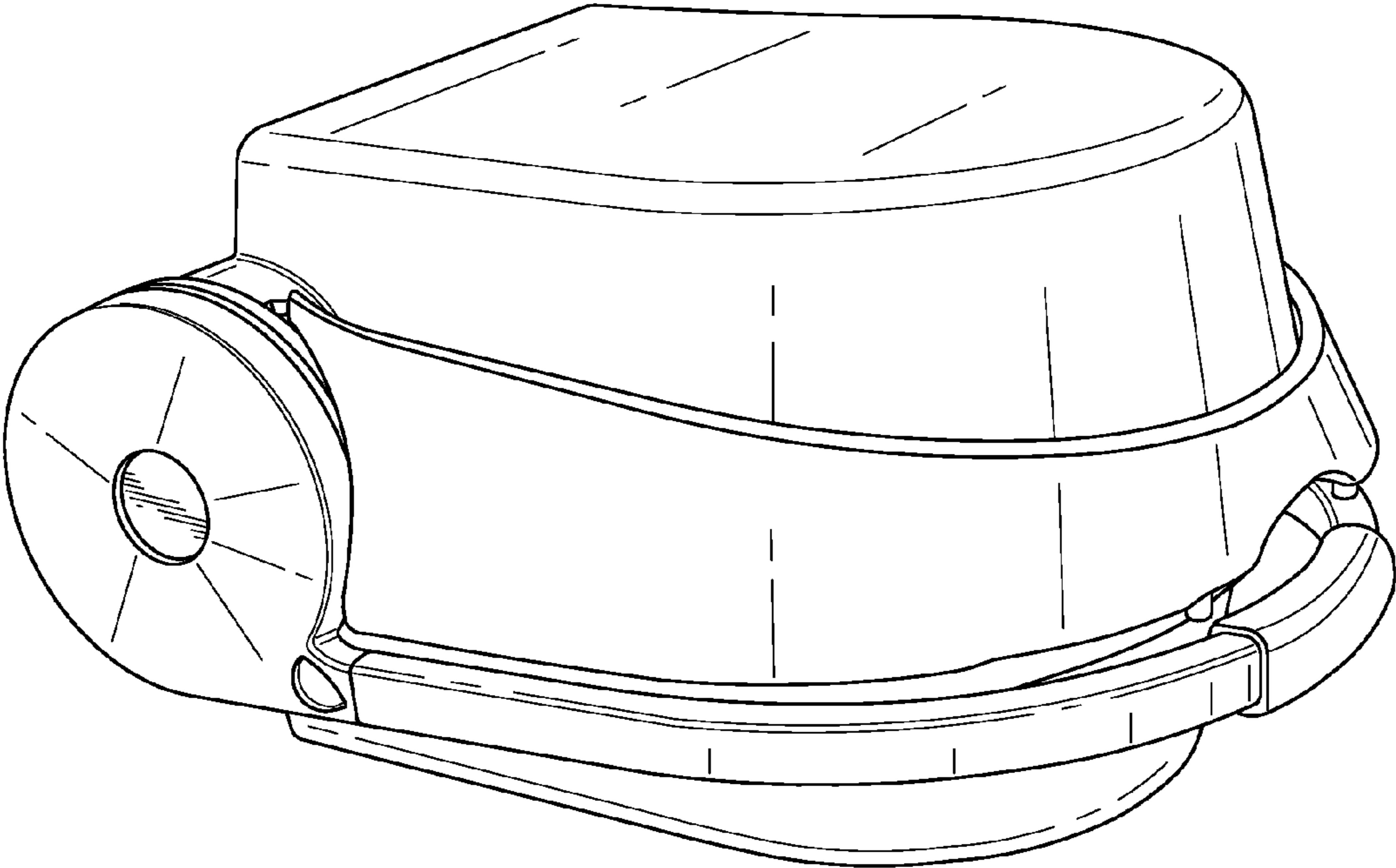


FIG. 1

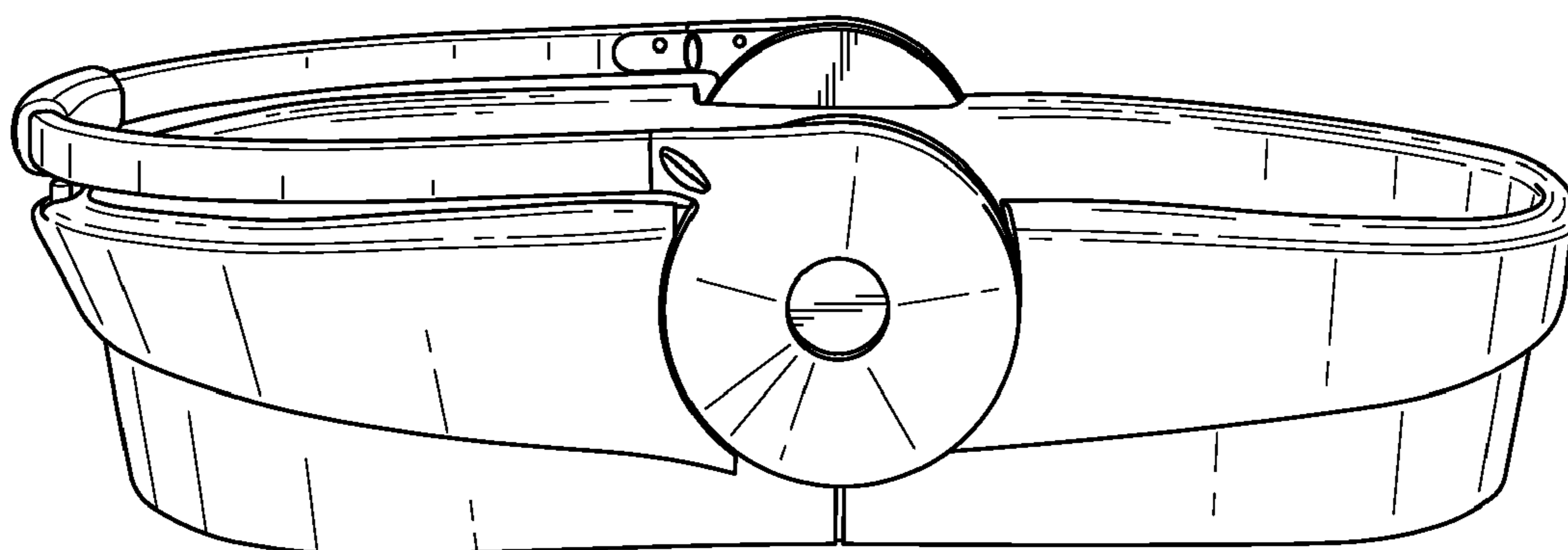


FIG. 2

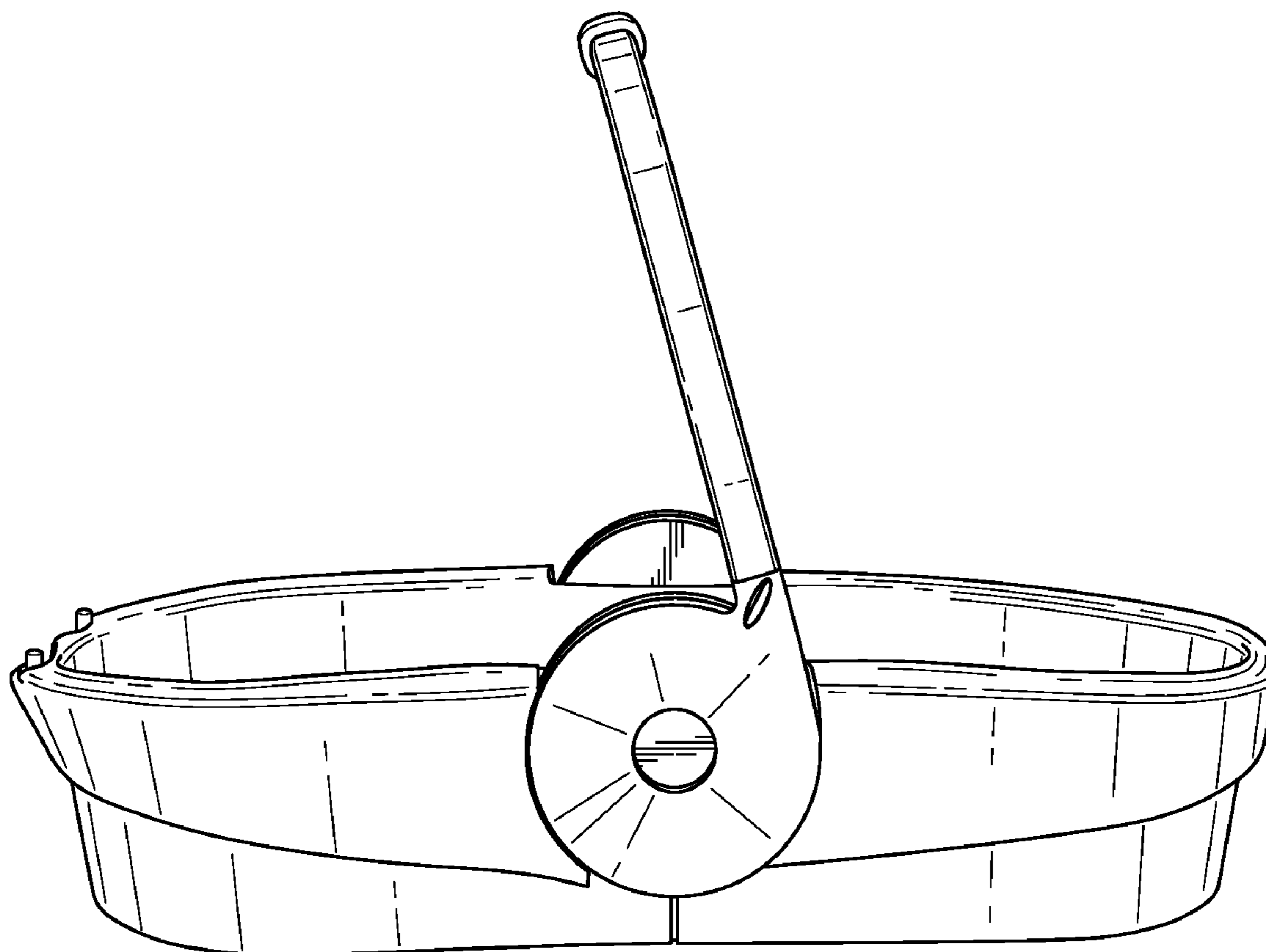


FIG. 3