



US00D619369S

(12) **United States Design Patent**
Nanda

(10) **Patent No.:** **US D619,369 S**
(45) **Date of Patent:** **** Jul. 13, 2010**

(54) **TOOTHBRUSH**

(75) Inventor: **Puneet Nanda**, Cerritos, CA (US)

(73) Assignee: **Dr. Fresh, Inc.**, Buena Park, CA (US)

(**) Term: **14 Years**

(21) Appl. No.: **29/303,985**

(22) Filed: **Feb. 21, 2008**

(51) **LOC (9) Cl.** **04-02**

(52) **U.S. Cl.** **D4/104**

(58) **Field of Classification Search** D4/104-112,
D4/134, 138; 15/143.1, 167.1, 167.2; 16/430,
16/431; 132/308-311

See application file for complete search history.

(56) **References Cited**

U.S. PATENT DOCUMENTS

D387,203	S	*	12/1997	Matharu	D4/104
5,781,958	A	*	7/1998	Meessmann et al.	15/167.1
D412,064	S	*	7/1999	Achepohl et al.	D4/104
D453,270	S	*	2/2002	Choong	D4/104
D456,139	S	*	4/2002	Hohlbein	D4/104
D457,325	S	*	5/2002	Wilson et al.	D4/104
D458,454	S		6/2002	Nanda		
D458,758	S		6/2002	Nanda		
D478,211	S	*	8/2003	Ping	D4/104
D490,247	S		5/2004	Nanda		
D492,116	S		6/2004	Nanda		
D505,015	S		5/2005	Nanda		

7,201,172	B2		4/2007	Nanda		
D558,980	S	*	1/2008	Jimenez et al.	D4/106
2006/0174431	A1		8/2006	Nanda		
2007/0039109	A1		2/2007	Nanda		
2007/0131241	A1		6/2007	Nanda		

* cited by examiner

Primary Examiner—Melanie H Tung

Assistant Examiner—Lavone D Tabor

(74) *Attorney, Agent, or Firm*—Knobbe, Martens, Olson & Bear, LLP

(57) **CLAIM**

The ornamental design for a toothbrush, as shown and described.

DESCRIPTION

FIG. 1 is a top, front, and left side perspective of a toothbrush embodying my new design.

FIG. 2 is a front elevation view thereof.

FIG. 3 is a rear elevation view thereof.

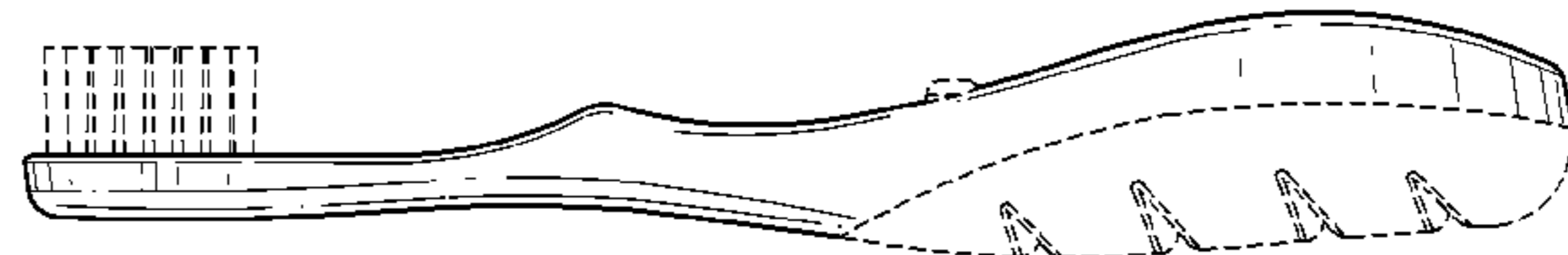
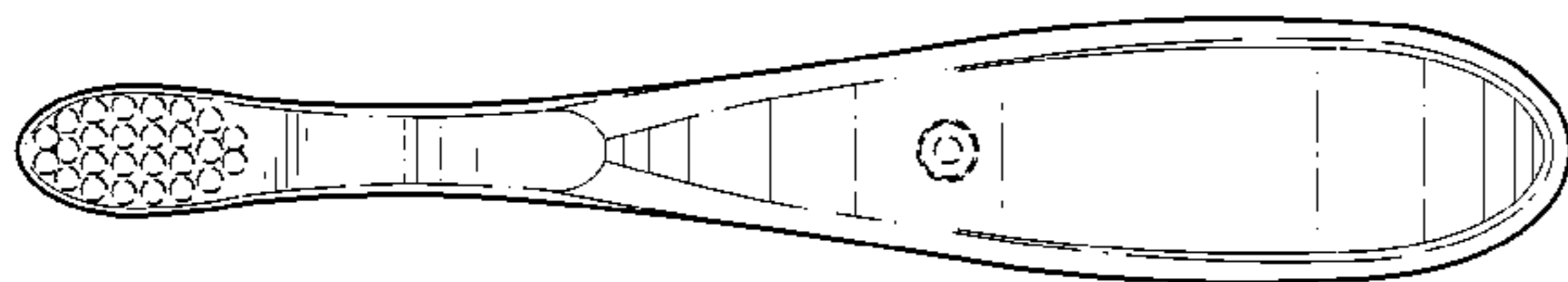
FIG. 4 is a left side view thereof, the right side being a mirror image.

FIG. 5 is a top plan view thereof; and,

FIG. 6 is a bottom plan view thereof.

Shown in phantom lines are bristle features, button features and grip features of the toothbrush which form no part of the claimed design.

1 Claim, 3 Drawing Sheets



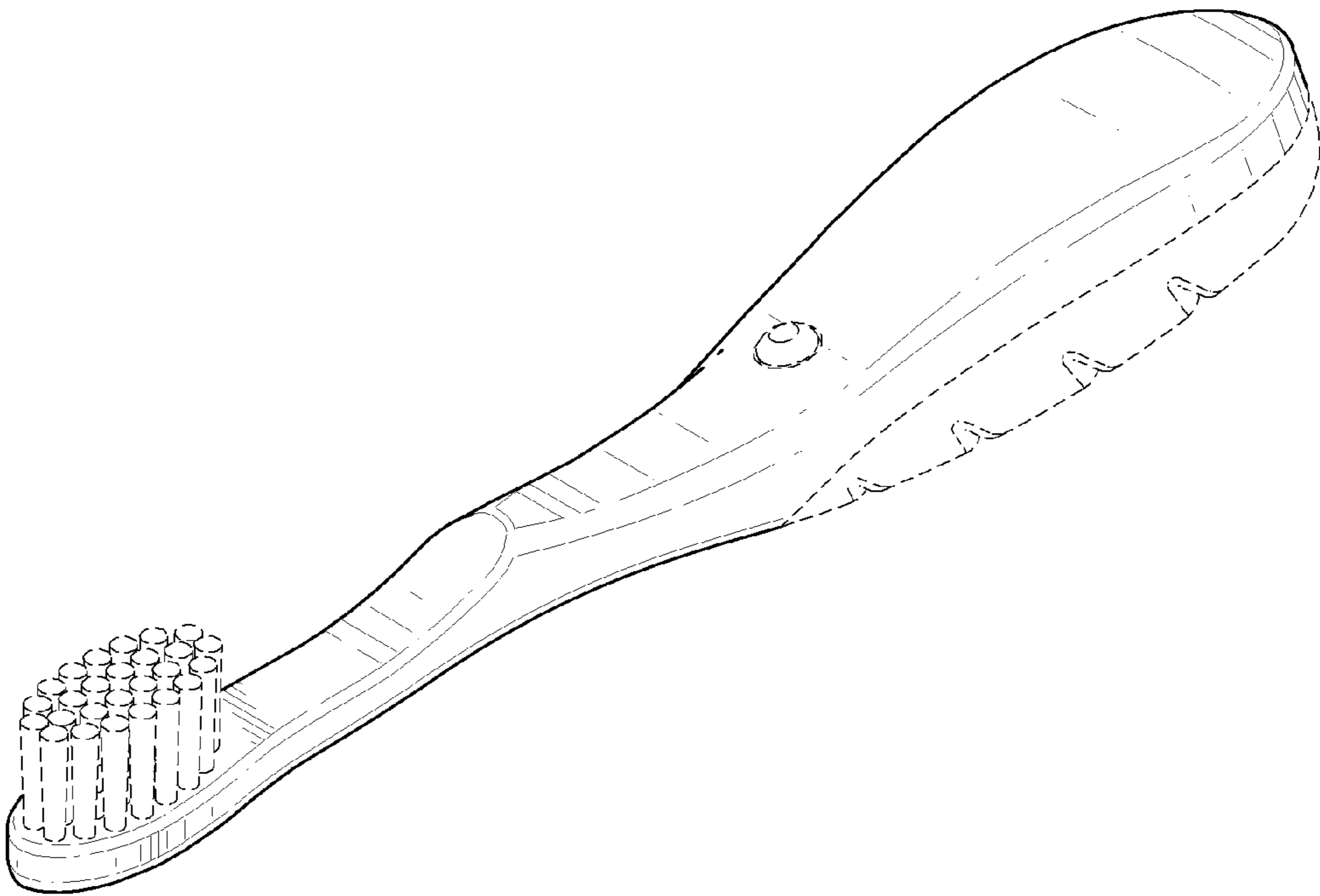


FIG. 1

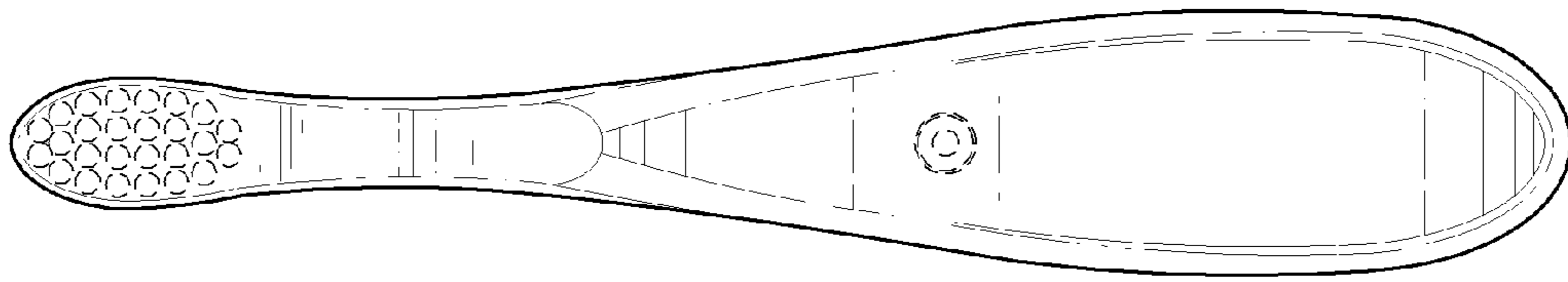


FIG. 2

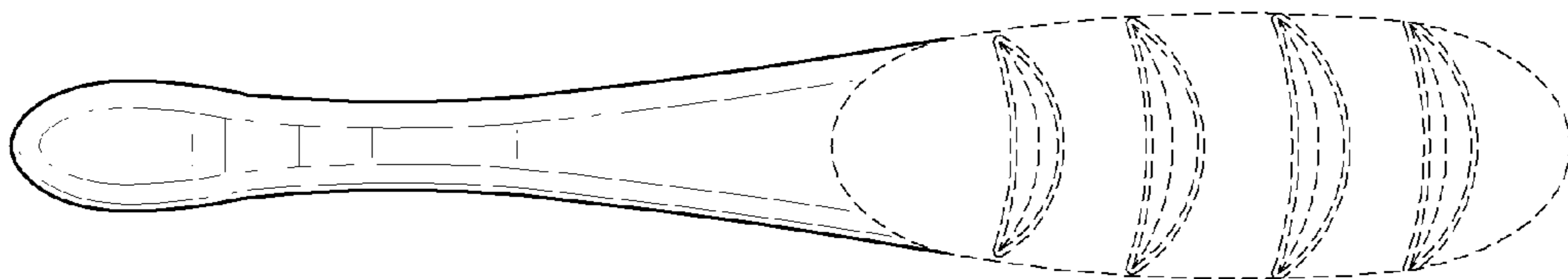


FIG. 3

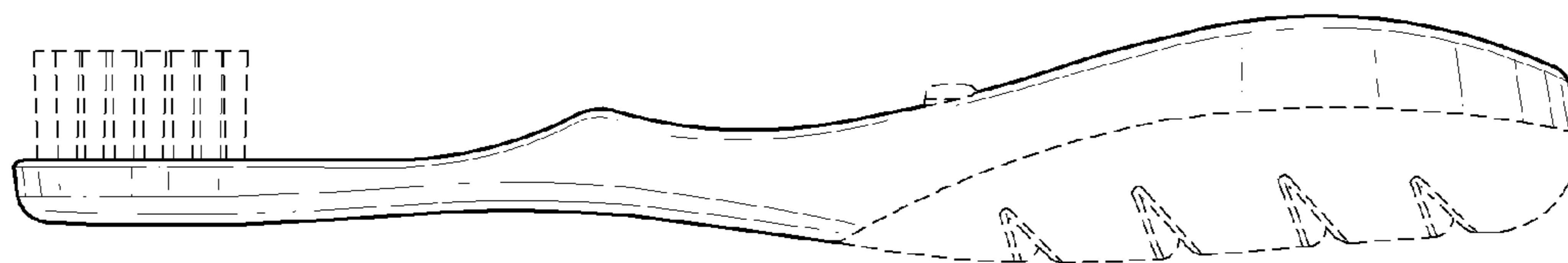


FIG. 4

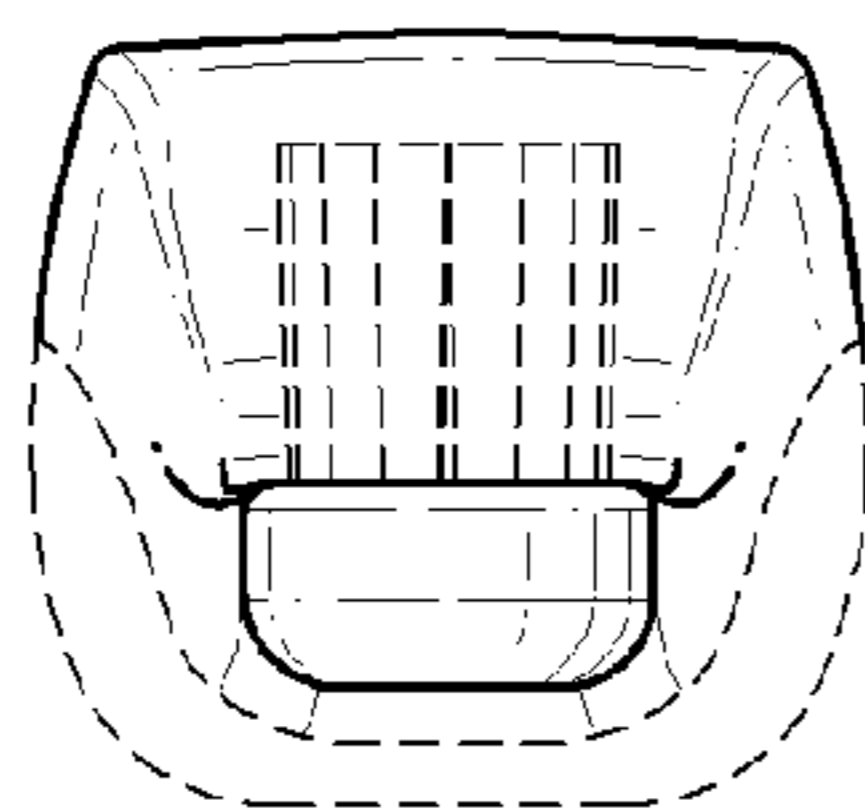


FIG. 5

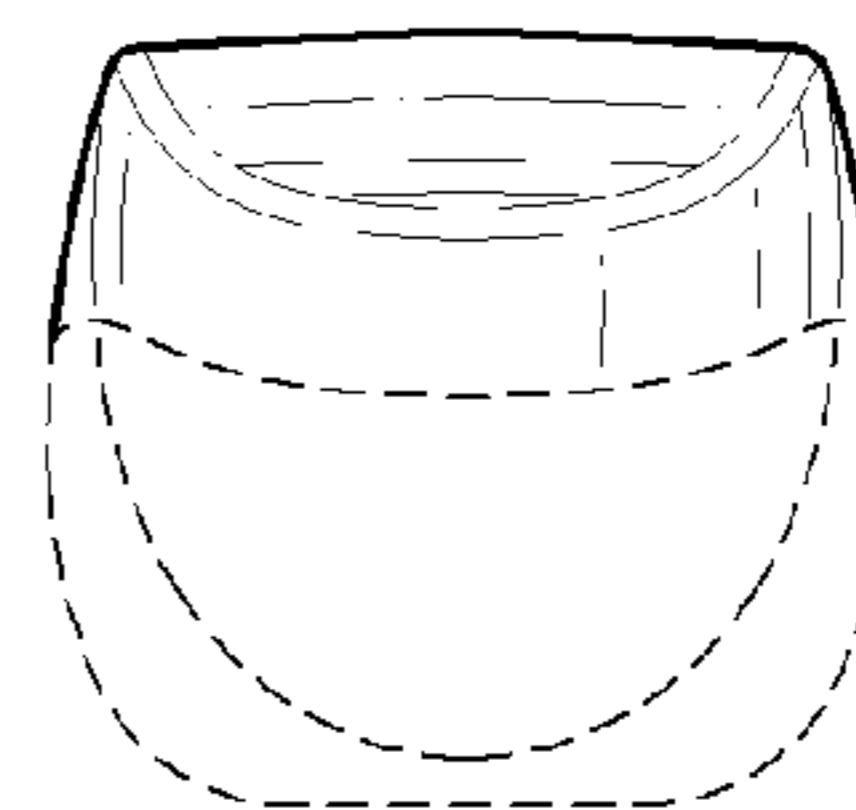


FIG. 6