

US00D619366S

(12) **United States Design Patent**  
**Porter, Jr. et al.**

(10) **Patent No.:** **US D619,366 S**  
(45) **Date of Patent:** **\*\* Jul. 13, 2010**

(54) **LUGGAGE FRAME**

(76) Inventors: **Robert Lewis Porter, Jr.**, 5129 7th Ct.  
South, Birmingham, AL (US) 35212;  
**Jonathan Peter Bennett**, 735  
Mendenhall Ct., Fort Mill, SC (US)  
29715

6,382,642 B1 *	5/2002	Rainey	.....	280/47.24
D466,267 S *	11/2002	Lee	.....	D34/24
D476,153 S *	6/2003	Sadr et al.	.....	D3/279
D479,761 S *	9/2003	Tsai	.....	D34/24
D522,753 S *	6/2006	Moon	.....	D3/318
D525,033 S *	7/2006	Neumann	.....	D3/318
D541,047 S *	4/2007	Moon	.....	D3/318

(\*\*) Term: **14 Years**

(21) Appl. No.: **29/332,006**

(22) Filed: **Feb. 6, 2009**

**Related U.S. Application Data**

(62) Division of application No. 29/306,087, filed on Apr. 2, 2008.

(51) **LOC (9) Cl.** ..... **03-01**

(52) **U.S. Cl.** ..... **D3/318**

(58) **Field of Classification Search** ..... D3/273,  
D3/279, 283, 289, 318-319, 321, 902; 190/18 A,  
190/18 R; 280/40, 47.24; D34/24  
See application file for complete search history.

(56) **References Cited**

**U.S. PATENT DOCUMENTS**

207,473 A *	8/1878	Allen	.....	280/47.24
539,851 A *	5/1895	Bedford	.....	280/47.24
2,514,849 A *	7/1950	Dewing	.....	280/659
3,233,764 A *	2/1966	Hinsch	.....	414/457
5,439,239 A *	8/1995	Su	.....	280/40
5,447,261 A *	9/1995	Mitomi et al.	.....	224/153
D395,120 S *	6/1998	Newman et al.	.....	D34/24
D398,125 S *	9/1998	Rekuc et al.	.....	D34/26
6,357,567 B1 *	3/2002	Tsai	.....	190/18 A

\* cited by examiner

*Primary Examiner*—Philip S Hyder

*Assistant Examiner*—Roselynn Cody

(74) *Attorney, Agent, or Firm*—C. Brandon Browning;  
Maynard Cooper & Gale, PC

(57) **CLAIM**

The ornamental design for a luggage frame, as shown and described.

**DESCRIPTION**

FIG. 1 is a front perspective view of a luggage frame in accordance with the present invention.

FIG. 2 is a rear perspective view of the luggage frame of FIG. 1.

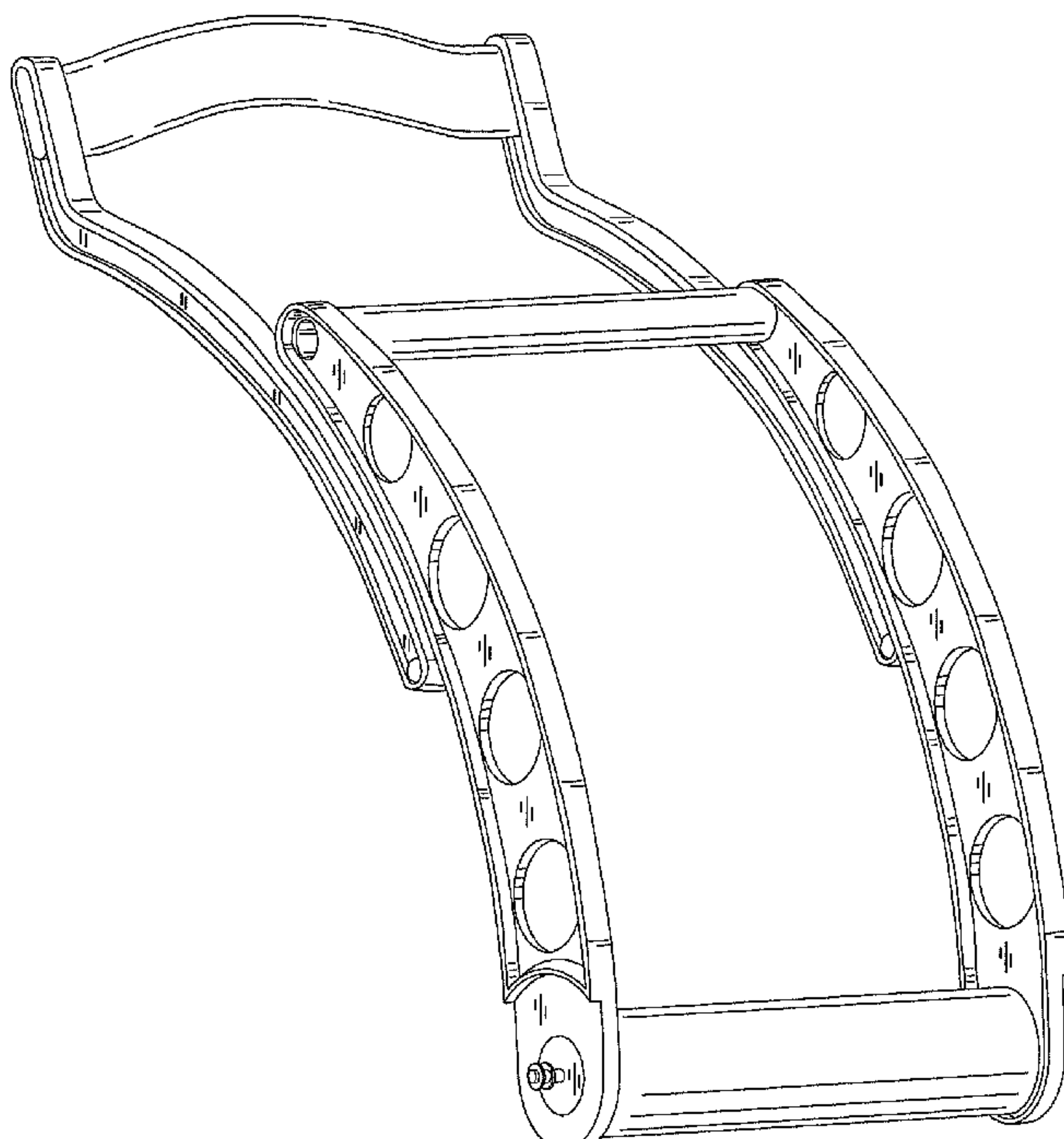
FIG. 3 is a side elevational view of the luggage frame of FIG. 1.

FIG. 4 is a front elevational view of the luggage frame of FIG. 1.

FIG. 5 is a rear elevational view of the luggage frame of FIG. 1.

FIG. 6 is a top plan view of the luggage frame of FIG. 1; and, FIG. 7 is a bottom plan view of the luggage frame of FIG. 1.

**1 Claim, 7 Drawing Sheets**



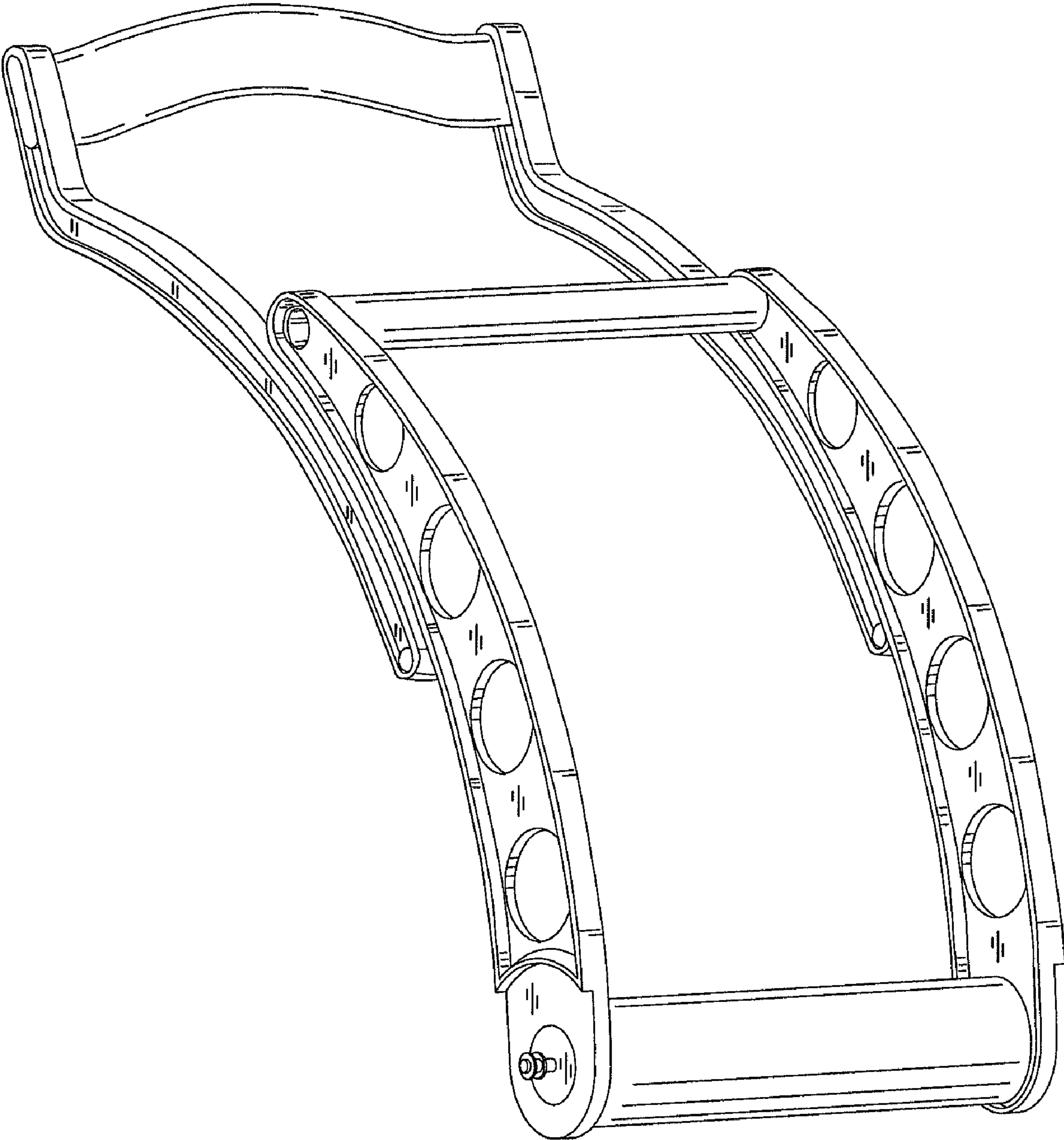


FIG. 1

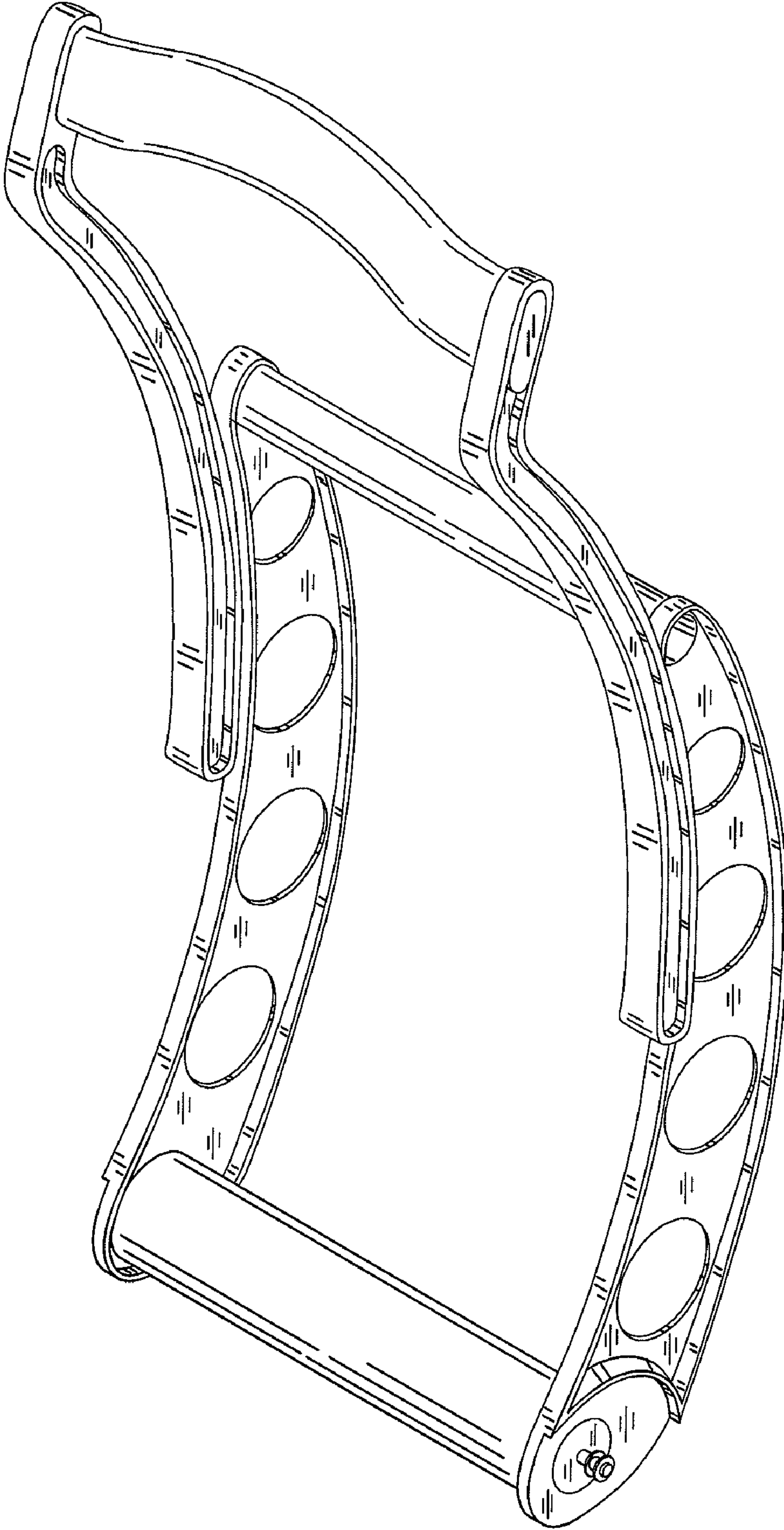


FIG. 2

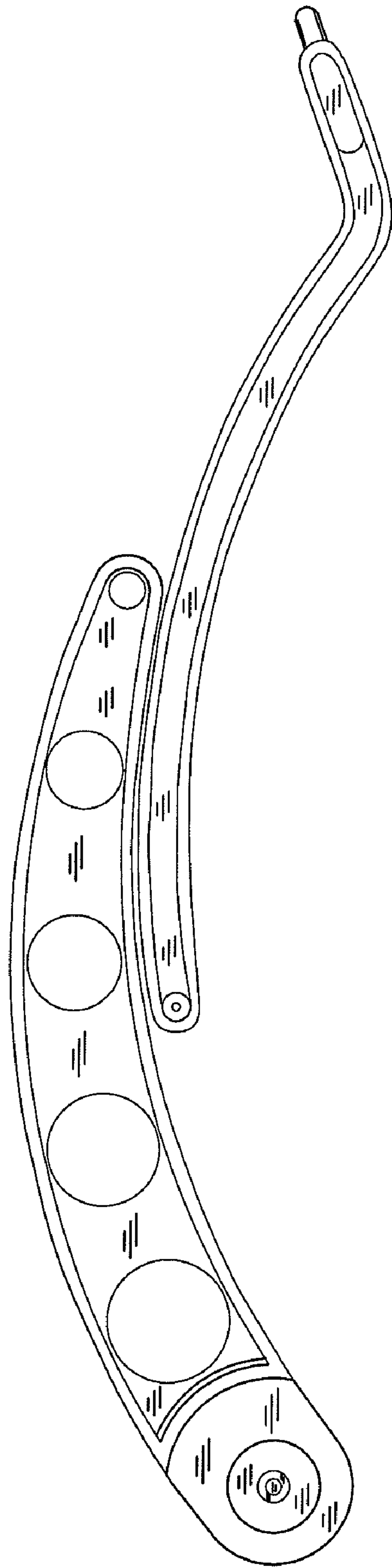


FIG. 3

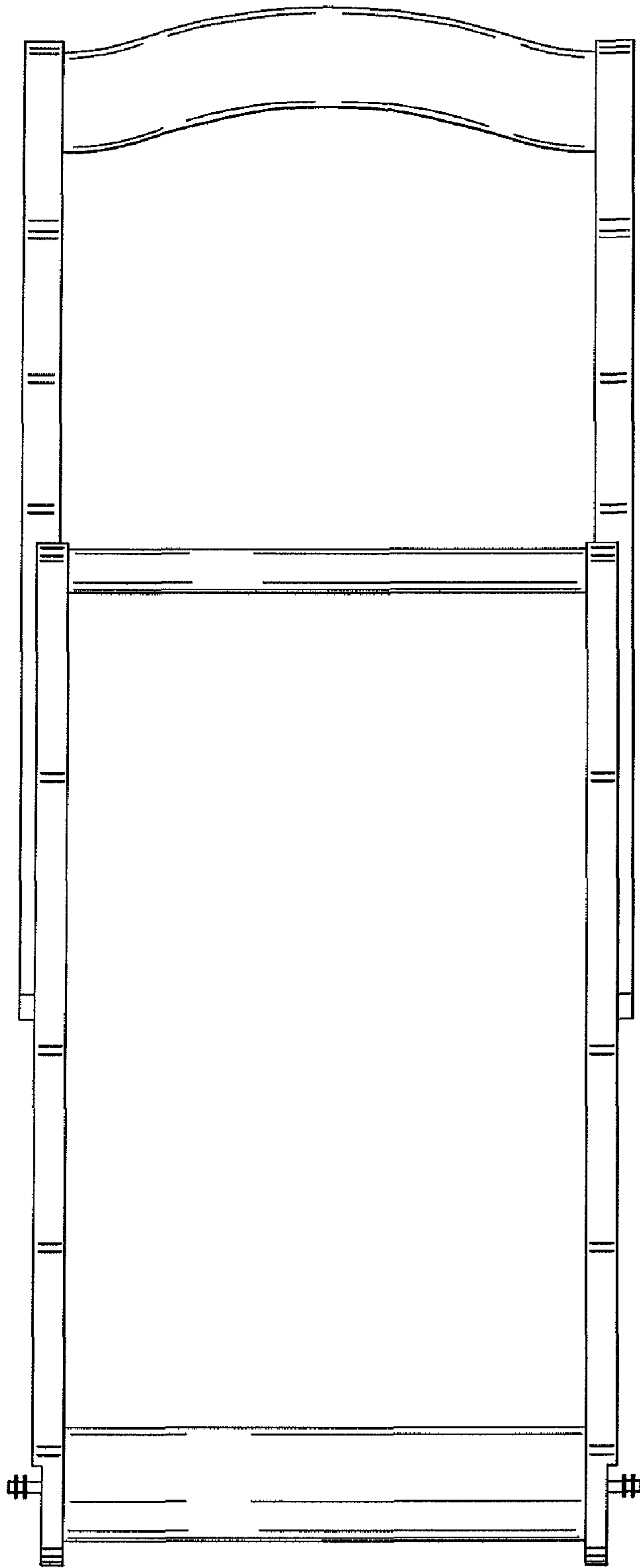


FIG. 4



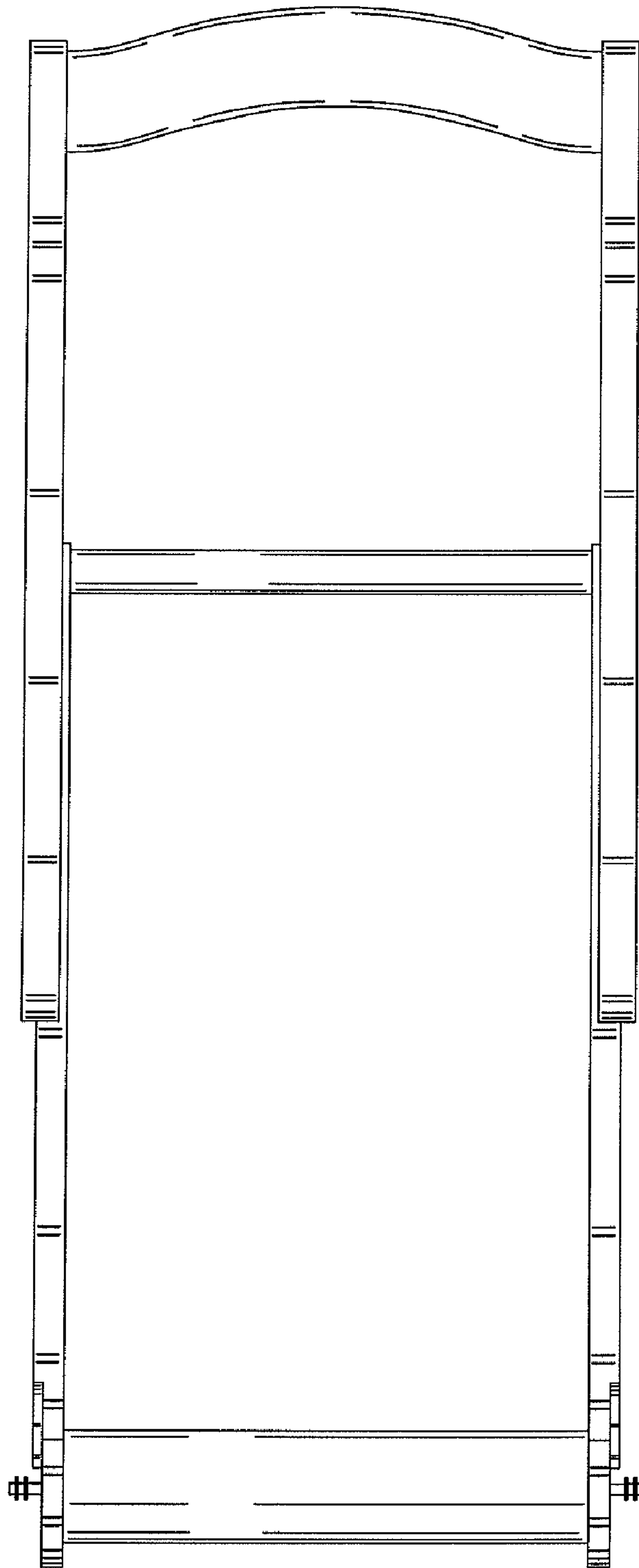


FIG. 5

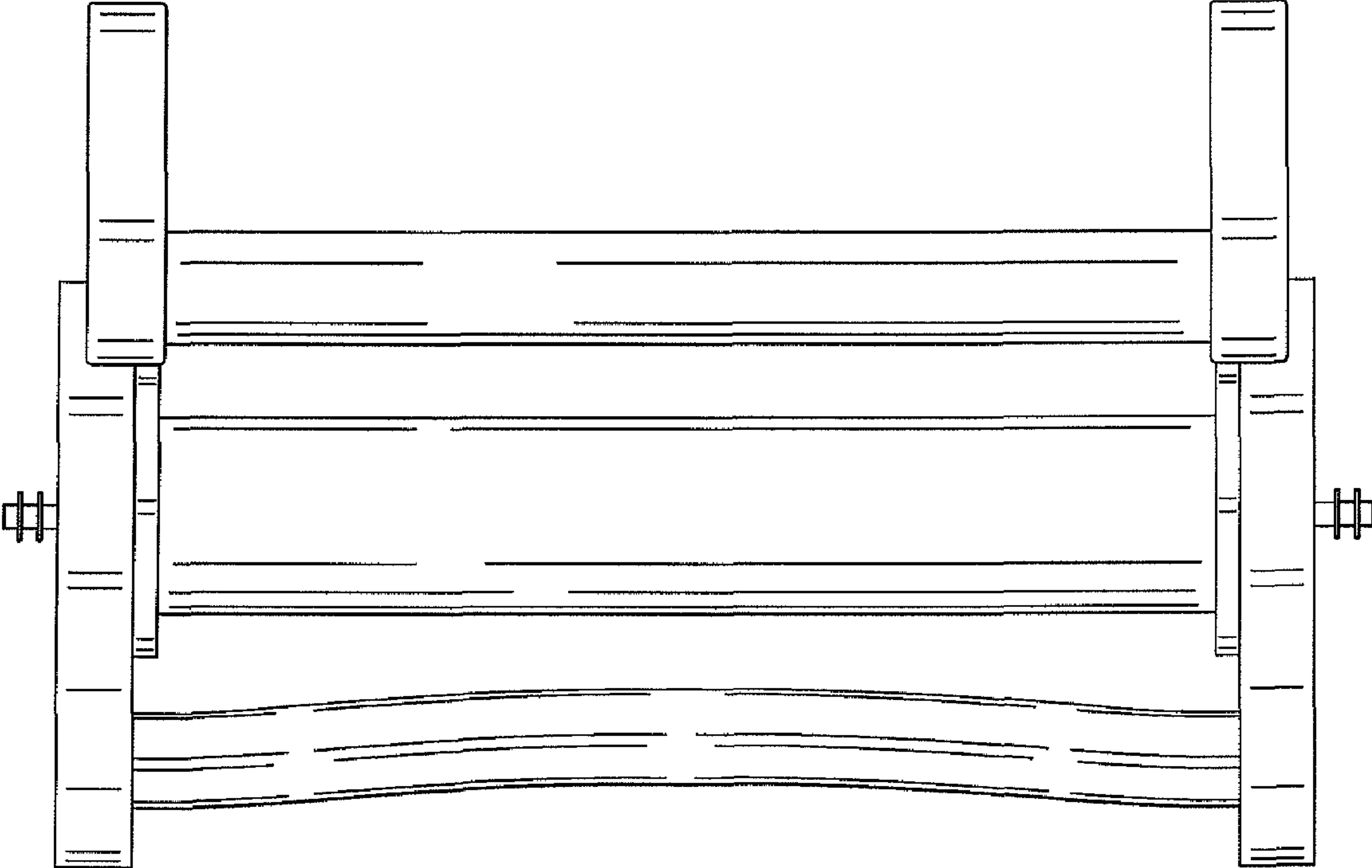


FIG. 6

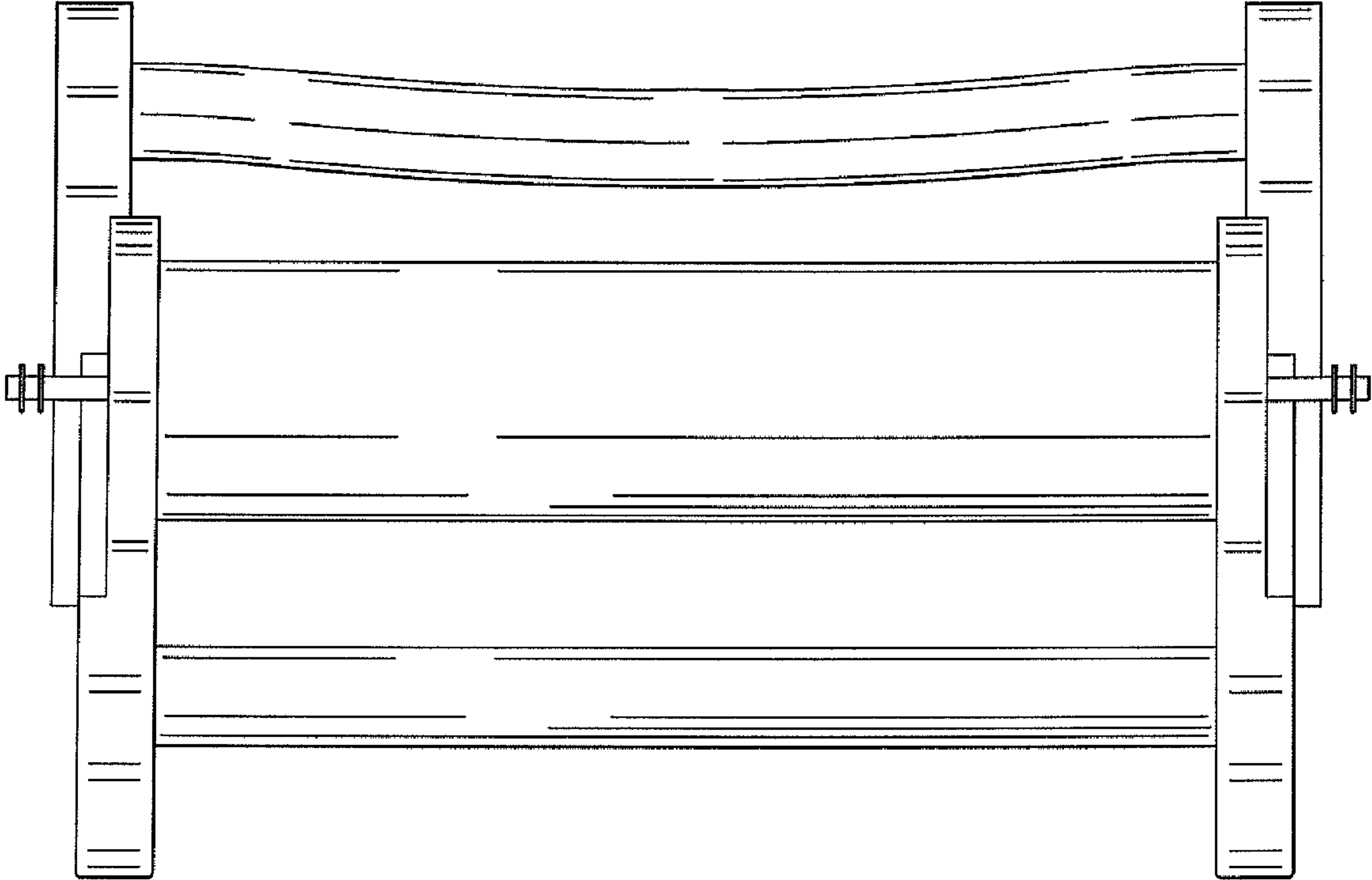


FIG. 7