



US00D619362S

(12) **United States Design Patent**
Hertaus

(10) **Patent No.:** **US D619,362 S**
(45) **Date of Patent:** **** Jul. 13, 2010**

(54) **SINGLE TRAY UNDERMOUNT CONTAINER**

(75) Inventor: **Alan R. Hertaus**, LeSueur, MN (US)

(73) Assignee: **Vision Home Products, Inc.**, Le Sueur, MN (US)

(**) Term: **14 Years**

(21) Appl. No.: **29/352,262**

(22) Filed: **Dec. 18, 2009**

(51) **LOC (9) Cl.** **03-01**

(52) **U.S. Cl.** **D3/306**

(58) **Field of Classification Search** D3/304-314;
D19/75, 78, 86, 90, 91, 99, 100; D6/566,
D6/567, 569, 512, 553, 525, 514; 211/10,
211/11, 13.1, 45, 50, 52, 55, 87.01, 90.03,
211/126.9, 126.13, 88.01, 41.4, 86.1, 134,
211/126.1, 181.1; 220/456, 9.4, 6, 7, 600,
220/485, 488; 206/202, 513, 577

See application file for complete search history.

(56) **References Cited**

U.S. PATENT DOCUMENTS

- D15,429 S * 10/1884 Ayres D30/129
- D158,565 S * 5/1950 Endstrom D3/306
- D158,566 S * 5/1950 Endstrom D3/306

- 2,732,096 A * 1/1956 Siciliano 220/769
- D180,037 S * 4/1957 Singiser D3/316
- 3,979,856 A * 9/1976 Belcher 47/76
- 4,062,148 A * 12/1977 Edmonds et al. 47/76
- 4,250,664 A * 2/1981 Remke 47/76
- 4,287,840 A * 9/1981 Weidner 111/101
- 4,403,447 A * 9/1983 Braun 47/76
- D277,922 S * 3/1985 Bentson D7/672
- D281,942 S * 12/1985 Bentson D7/674
- D578,762 S * 10/2008 Smith et al. D3/306

* cited by examiner

Primary Examiner—T. Chase Nelson
Assistant Examiner—Ania K Dworzecka

(74) *Attorney, Agent, or Firm*—Haugen Law Firm PLLP

(57) **CLAIM**

The ornamental design for a single tray undermount container, as shown and described.

DESCRIPTION

FIG. 1 is a top perspective view of the design;
FIG. 2 is a side elevational view of the design;
FIG. 3 is a top plan view of the design; and,
FIG. 4 is a bottom plan view of the design.

1 Claim, 3 Drawing Sheets

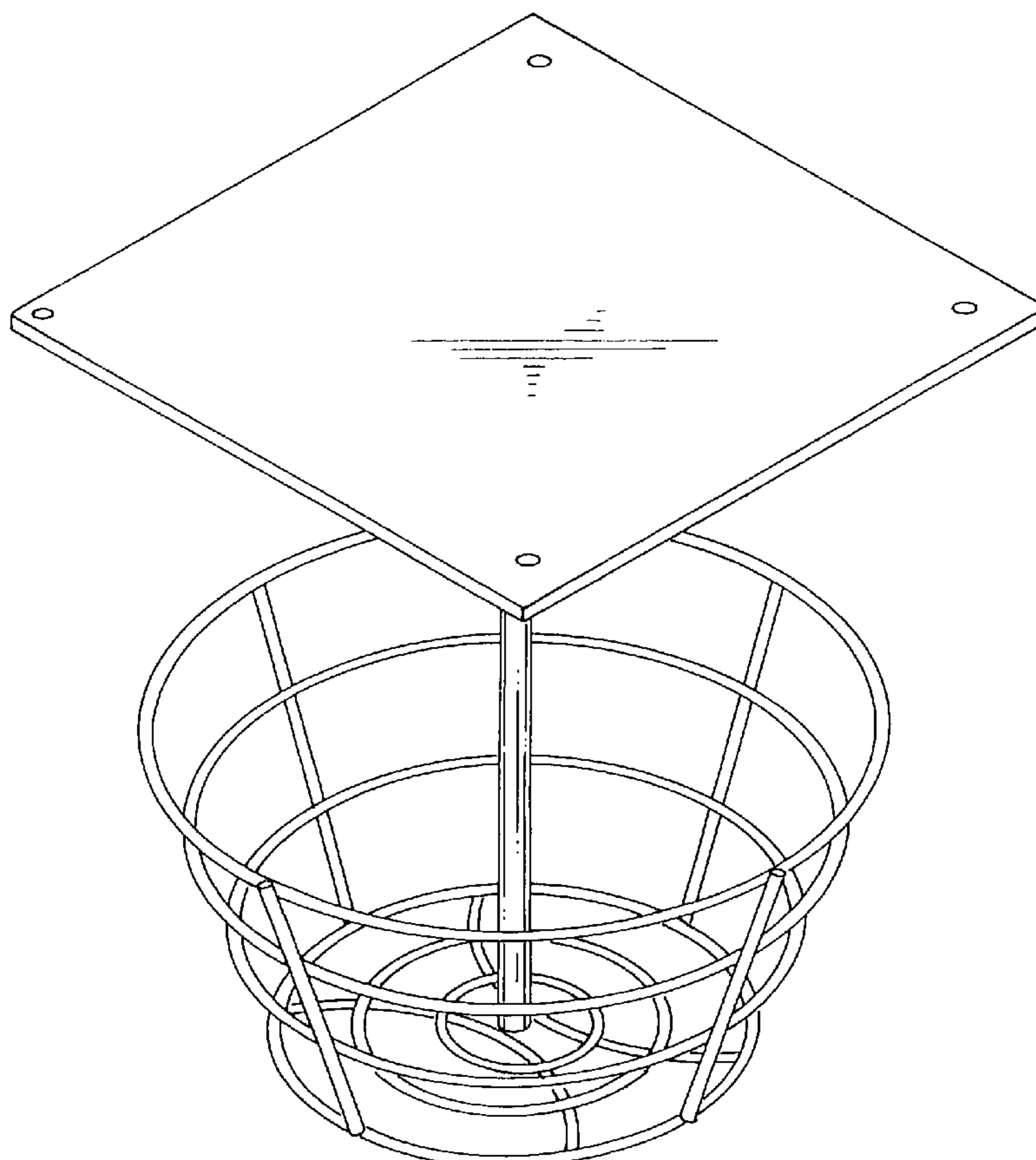


Fig.-1

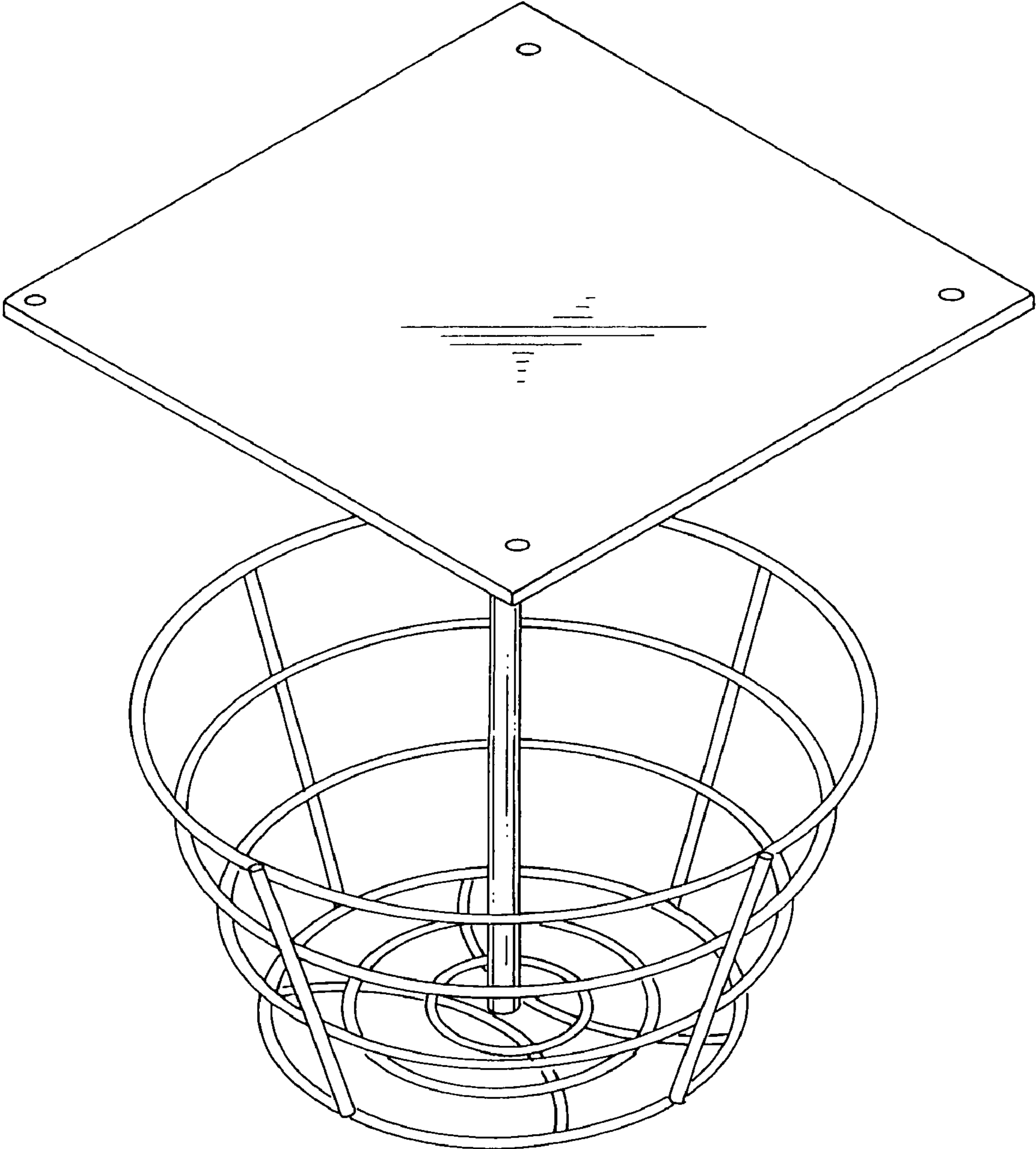
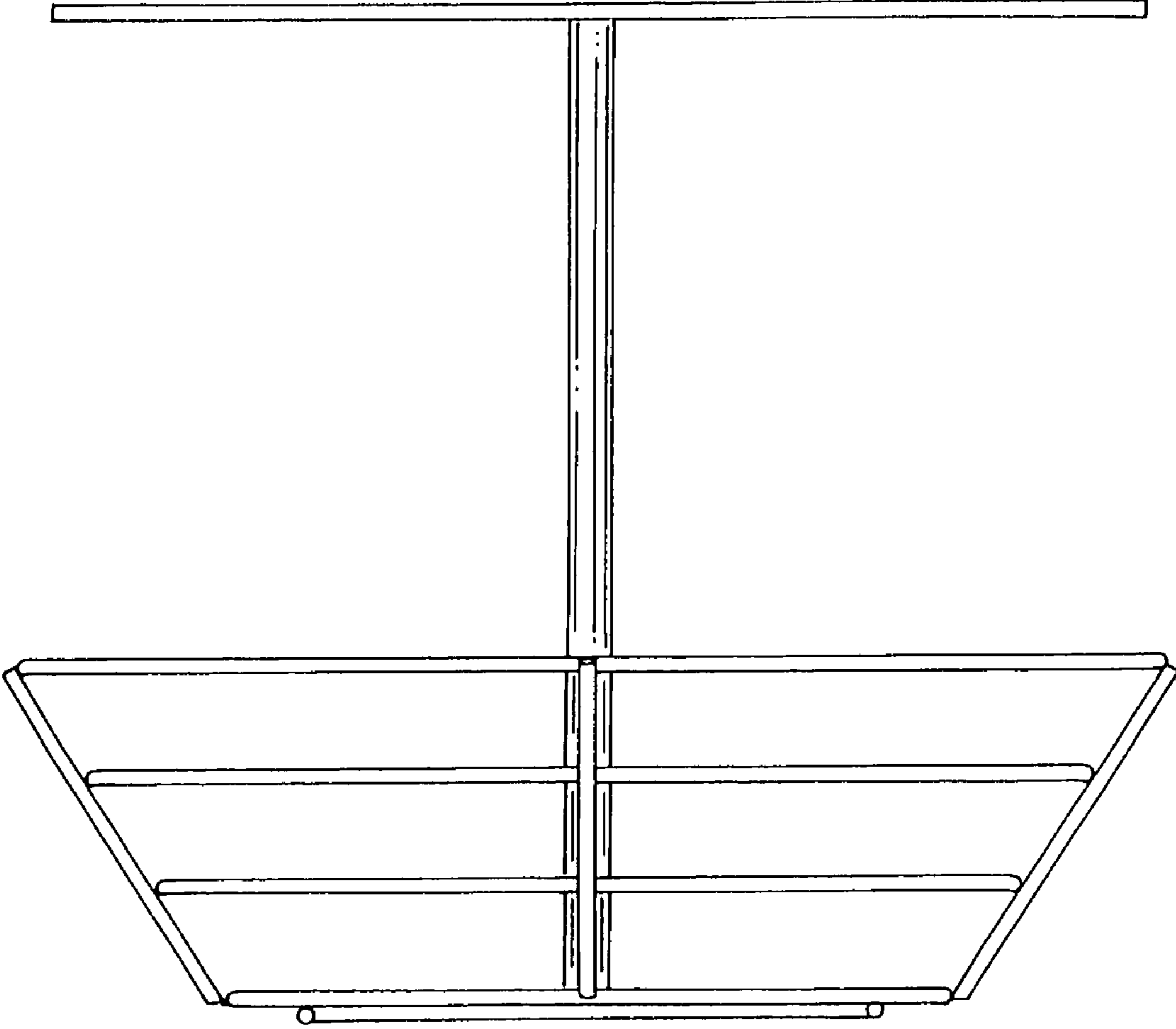


Fig.-2



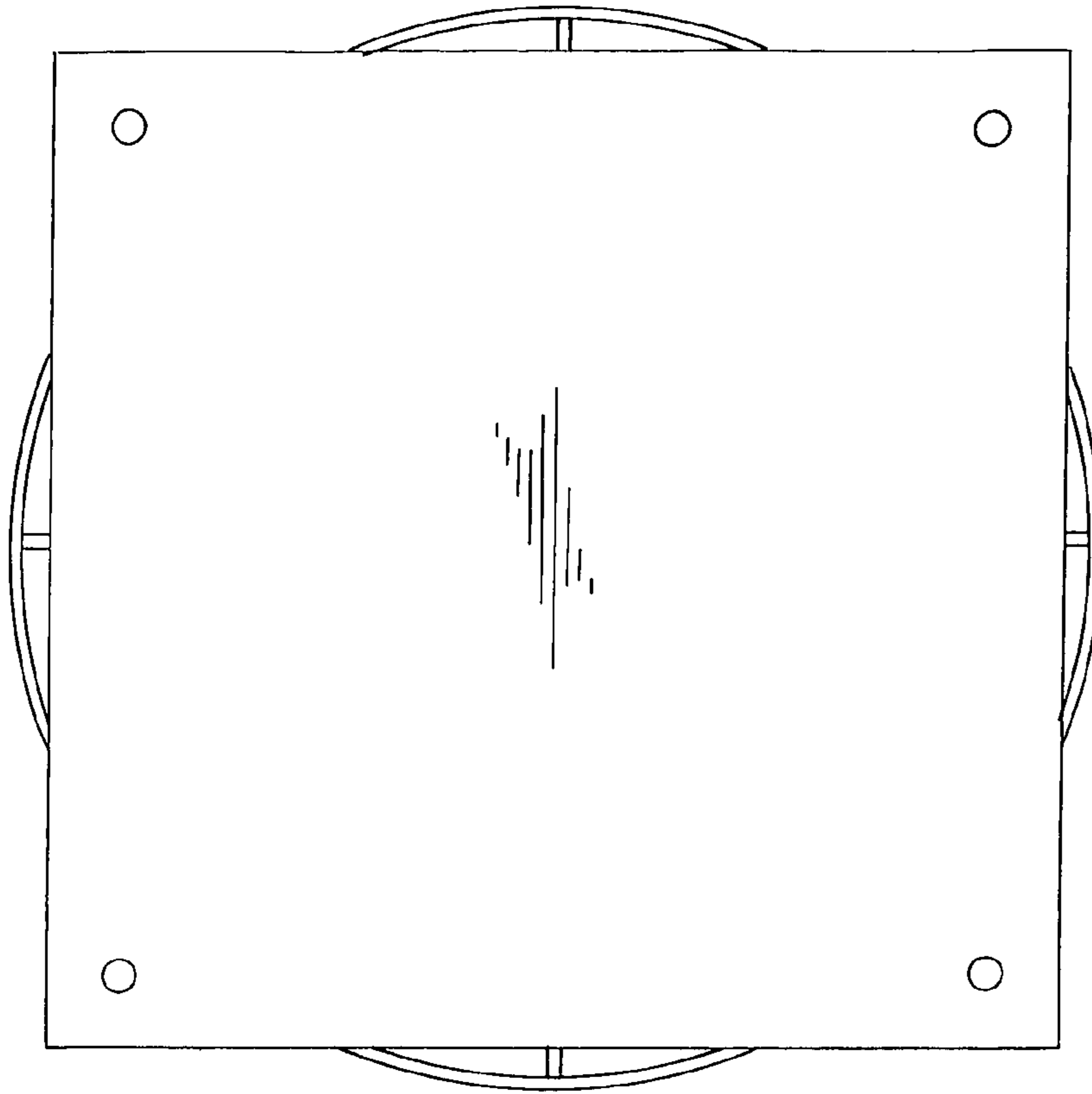


Fig. -3

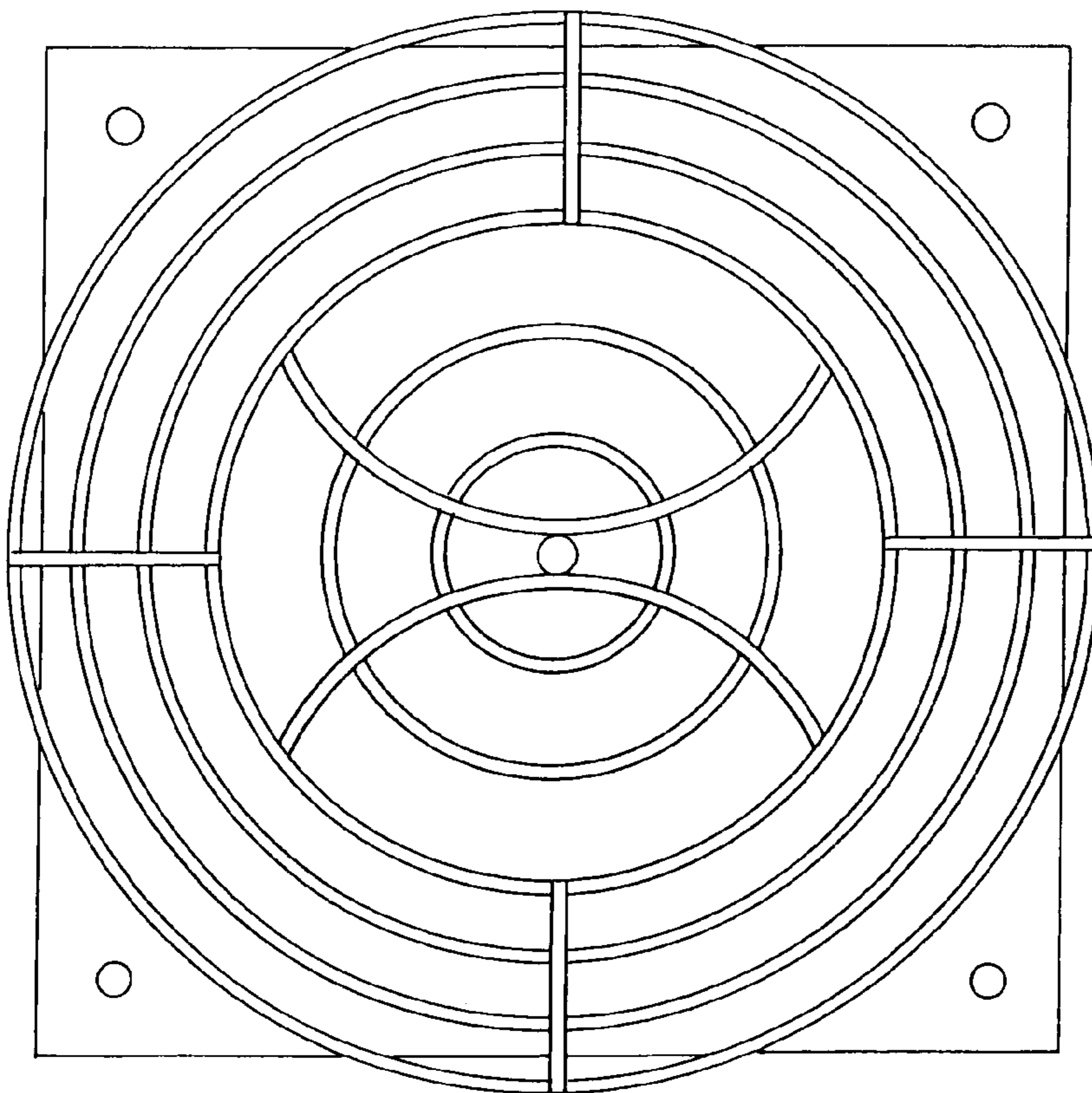


Fig. -4