



US00D619354S

(12) **United States Design Patent**
Mudrick

(10) **Patent No.:** **US D619,354 S**
(45) **Date of Patent:** **** Jul. 13, 2010**

(54) **KEYCHAIN HAVING A SOLAR POWERED DISPLAY**

D354,457 S * 1/1995 McIntyre D11/216

(75) Inventor: **David Mudrick**, Prescott, AZ (US)

(Continued)

(73) Assignee: **Orion Photo Industries, Inc.**, Prescott, AZ (US)

FOREIGN PATENT DOCUMENTS

(**) Term: **14 Years**

CN 2908981 Y 6/2007

(21) Appl. No.: **29/336,817**

(Continued)

(22) Filed: **May 8, 2009**

OTHER PUBLICATIONS

(51) **LOC (9) Cl.** **03-01**

NameStar advertisement for Personalized Solar Powered Key Rings; Feb. 15, 2010.

(52) **U.S. Cl.** **D3/208**

(Continued)

(58) **Field of Classification Search** D3/207-212;
D11/79-85, 94-116, 1, 2, 40, 43, 86, 221;
24/3.6, 298, 302, 599.1; 70/456 R, 456 B,
70/457-460; 362/98, 157, 183, 116, 217.01,
362/217.1; 136/243, 251; 345/205; D20/10,
D20/19, 22, 27, 43; 63/1.11, 19-21, 25;
D14/168, 299, 341, 356; D28/23, 25; 40/1.5

Primary Examiner—Ralf Seifert
(74) *Attorney, Agent, or Firm*—Santangelo Law Offices

See application file for complete search history.

(57) **CLAIM**

The ornamental design for a keychain having a solar powered display, as shown and described.

(56) **References Cited**

U.S. PATENT DOCUMENTS

DESCRIPTION

2,181,796 A	11/1939	Williams, Jr.	
2,297,285 A	11/1942	Bledsoe	
D139,829 S	* 12/1944	Plosky	D10/30
D160,231 S	* 9/1950	Ward	D99/34
3,186,052 A	* 6/1965	Bobrow	24/303
D285,989 S	10/1986	MacDonald	
4,628,418 A	12/1986	Chabria	
D293,287 S	12/1987	Cauque et al.	
D307,671 S	5/1990	Satterly	
4,948,232 A	8/1990	Lange	
D310,600 S	9/1990	Holterscheidt	
D311,158 S	10/1990	Soule	
D318,952 S	8/1991	Stillwagon et al.	
D319,804 S	9/1991	Johnson et al.	
5,197,316 A	3/1993	Gottlieb et al.	
D339,230 S	9/1993	Thompson	
D344,183 S	2/1994	Anderson	

FIG. 1 is a top perspective view of the solar powered display separated from the keychain;

FIG. 2 is a top view of keychain with the solar powered display attachment;

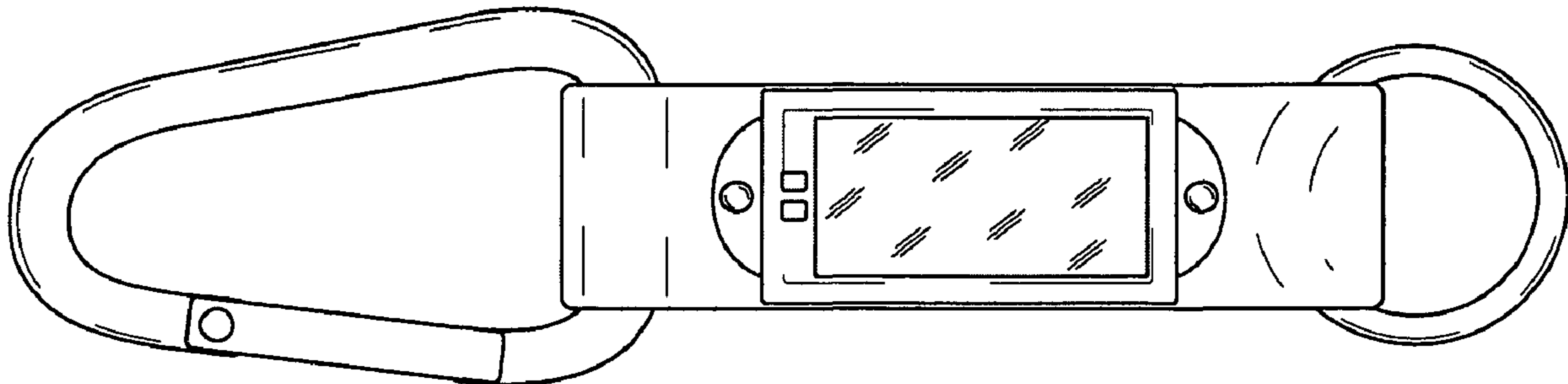
FIG. 3 is a back view of keychain;

FIG. 4 is a side view of keychain with the solar powered display attachment; and

FIG. 5 is a first end view of keychain with the solar powered display attachment; and,

FIG. 6 is a second end view of keychain with the solar powered display attachment.

1 Claim, 1 Drawing Sheet



U.S. PATENT DOCUMENTS

D364,734	S	12/1995	Ben-Zeev et al.	
D380,896	S	7/1997	Grant	
D381,487	S	7/1997	Sweeney	
D383,304	S	9/1997	Van Osch	
5,899,501	A	5/1999	Maxwell	
D418,971	S	1/2000	Scungio	
D423,770	S	5/2000	Degener	
6,141,999	A	11/2000	Whittaker et al.	
D456,600	S	5/2002	Gadson	
D457,719	S	5/2002	Tu	
D458,017	S	6/2002	Yehudai	
D468,091	S	1/2003	Tipton	
6,504,708	B2	1/2003	Yehudai	
D475,317	S	6/2003	Fernandez	
D477,023	S	7/2003	Rosenbaum	
6,591,646	B1	7/2003	Huang	
6,606,769	B1	8/2003	Harris	
D485,059	S	1/2004	Pestone	
D485,431	S	1/2004	Hsu	
6,685,338	B1	2/2004	Lewis et al.	
6,713,895	B1	3/2004	Krapfl	
D493,493	S *	7/2004	Howard D20/27
D495,483	S	9/2004	Vickers et al.	
D499,545	S	12/2004	Condiff	
D501,715	S	2/2005	Etienne	
D525,778	S	8/2006	Jaricot	
D542,523	S *	5/2007	Labelson D3/208
D547,053	S *	7/2007	Labelson D3/208
D550,952	S	9/2007	Rimon	
D553,850	S	10/2007	Trower	
D554,363	S	11/2007	Bates et al.	
7,353,571	B2	4/2008	Goldberg	
D598,014	S	8/2009	Marsh et al.	
D598,192	S	8/2009	Hu	
D598,193	S	8/2009	Miles et al.	
D599,106	S	9/2009	Babey	
D601,203	S	9/2009	Gonzalez	
D602,487	S	10/2009	Maskatia	
7,634,932	B2	12/2009	Cadiz et al.	
D608,689	S	1/2010	Cerullo et al.	
2002/0186527	A1	12/2002	Yehudai	
2005/0097712	A1	5/2005	Raynor	
2006/0090302	A1	5/2006	Colby	
2006/0138864	A1	6/2006	Trahanovsky	
2007/0030668	A1	2/2007	Parsons	
2008/0151134	A1	6/2008	Huang	
2008/0209701	A1	9/2008	Goldberg	
2009/0009667	A1	1/2009	Dayan	
2009/0293542	A1	12/2009	Anderson	
2009/0317652	A1	12/2009	Keyes	

FOREIGN PATENT DOCUMENTS

CN	201011889	Y	1/2008
CN	201035833	Y	3/2008
CN	201153599	Y	11/2008
CN	201182267	Y	1/2009
CN	201207966	Y	3/2009
DE	202006012485	U1	7/2006
DE	102006007966	A1	3/2008
EP	1950724	A1	7/2008
JP	2001324931	A	11/2001
WO	2005112685	A1	12/2005
WO	2007056902	A1	5/2007

OTHER PUBLICATIONS

LaserNames Souvenir Name Programs, Oct. 2006 Catalog.
Hilltrend New Generation Product Catalog; Jan. 14, 2010.
Wayne Carver Personalized Flashing LCD Zipper Pulls Product Catalog; Nov. 10, 2007.

Hilltrend USA Ltd. Inc. website; Solar Power LCD Key Chain; HTSP705 New Generation Solar Power blinking LCD Key Chain; Downloaded & printed Aug. 6, 2009; 11 pgs.
Vigorsun Solar Products Ltd. website; Products Show; Solar Flash Key Chain Model No. VS-80073W; Downloaded & printed Aug. 3, 2009; Post date Oct. 14, 1008; Downloaded & printed Aug. 6, 2009; 1 pg.
Cornerstone-promo website: solar key chain promotional items imprinted product; Solar key chain No. TJZ-S2028960041; Downloaded & printed Aug. 6, 2009; 2 pgs.
Dona-Ada & Co. website: Solar Key Chain; Downloaded & printed Aug. 3, 2009; 1 pg.
Madeinchina.com website: Apex Innovation technologies Co., Ltd; Solar Key Chain, Flashing Keychain, Blinking Keyring (LCD Light Powered); Downloaded & printed Aug. 3, 2009; 1 pg.
AblazePath.com website: Key Chains; Downloaded & printed Aug. 6, 2009; 1 pg.
CTO International China Trade Online website: Wholesale Flashing Solar Powered LCD Key Chain; Model No. CTO9839; Downloaded & printed Aug. 4, 2009; 2 pgs.
Shenzhen Century Ocean Trading Ltd website: Solar Application; Downloaded & printed Aug. 3, 2009; 1 pg.
DIY Trade website: Large Solar Powered Flashing Keychain with Clock and Compass; Model P079; posted Jan. 17, 2008; Downloaded & printed Aug. 3, 2009; 3 pgs.
ECVV.com website: Solar Key Chain List, China Solar Key Chain-Suppliers, Manufacturers; product listing; Downloaded & printed Aug. 3, 2009; 4 pgs.
Riptide Promotions website: Key Tags, Promotional key Chains, Logo Key Chains, Printed Key Chain; Chain Specials; Soft Squeezable Key Tags; Downloaded & printed Aug. 3, 2009; 5 pgs.
promopeddler.com website: Custom Imprinted Key-Ring-Lite-Waterproof solar key ring w/light product page; Downloaded & printed Aug. 3, 2009; 1 pg.
Oneinhundred.com website: Key Tabs, Wholesale custom Key Tags; Heavy duty black clip-on key reel with split ring; custom promotional Gifts; Downloaded & printed Aug. 3, 2009; 2 pgs.
FFCrafts.com website: Holiday Decorations—Crafts—Trade Offers; Downloaded & printed Aug. 3, 2009; 3 pgs.
Solar Moon.co.uk website: Corporate Solar Promotional Products, Customized Key Chains, Solar Keyrings; Solar Key Chain KC002; Downloaded & printed Aug. 3, 2009; 1 pg.
FF Crafts.com website: Sell Solar Key Chain—China Jewelry & Craft Global B2B E-Marketplace (FFC); Shenzhen Samewin Electronics Co., China; Downloaded & printed Aug. 3, 2009; 2 pgs.
Signorina Donaada Global Consumer Products website: Solar Product; Solar Key Chain; Downloaded & printed Aug. 3, 2009; 2 pgs.
China Solar website: Solar Torch Key Chain No. KS-D33A-C; Downloaded & printed Aug. 3, 2009; 2 pgs.
tradeget.com website: Manufacturer of Innovative Promotional Gift Items; Apex Innovation Technologies Co., Ltd; LCD Solar Power Blinking keychain; keyring; key chain, key holder; Downloaded & printed Aug. 3, 2009; 2 pgs.
Traderscity.com website: 4th generation solar usb memory stick promotional solar flash memory drives oem custom key disk; Company contact: Goldking (HK) Technology, Co., Ltd.; Downloaded & printed Aug. 3, 2009; 3 pgs.
Wayso Electronic Technology Co., Ltd. website; Solar Key Chain WS-SKC01; Downloaded & printed Aug. 3, 2009; 1 pg.
Xinfeng Enterprises Co., Ltd website: Solar energy flashing keychains (TYN008); Downloaded & printed Aug. 3, 2009; 2 pgs.
Raylos Solar website: Eco-friendly promotional products; Solar key ring light made of AS high transparent resin with carabiner; Item 6320102-128; Downloaded & printed Aug. 3, 2009; 2 pgs.
Google search page: www.Made-in-China.com/showroom/cnblz8; Solar Key Chain; Shenzhen Olong Electronic Co. Ltd; Downloaded & printed Aug. 4, 2009; 1 pg.
yicheng.800jit.com website: Mercedes Benz Solar key chain ring C E S R CL SLK Class; Downloaded & printed Aug. 3, 2009; 1 pg.
Made-in-china website: Solar key ring, China solar key ring; product directory; Downloaded & printed Aug. 6, 2009; 4 pgs.
100-gift website: Keychain Wholesale Center-Manufacturer/Fac-tory/Supplier; Downloaded & printed Aug. 6, 2009; 2 pgs.

US D619,354 S

Page 3

saqad website: www.sawadgifts.com; Toyota key ring; Downloaded & printed Aug. 3, 2009; 1 pg.

www.sell21.com website: image of solar-logo-key-chain; Downloaded & printed Aug. 3, 2009; 1 pg.

Office Action from U.S. Appl. No. 29/318,954 mailed Oct. 13, 2009; 5pgs.

Sz-wholesale.com <http://sz-wholesale.com/content/products.asp?SearchText=solar+key+chain>.

Zen-Keychain.com <http://www.zen-keychain.com/solar-powered-flashing-keychains.html>.

* cited by examiner

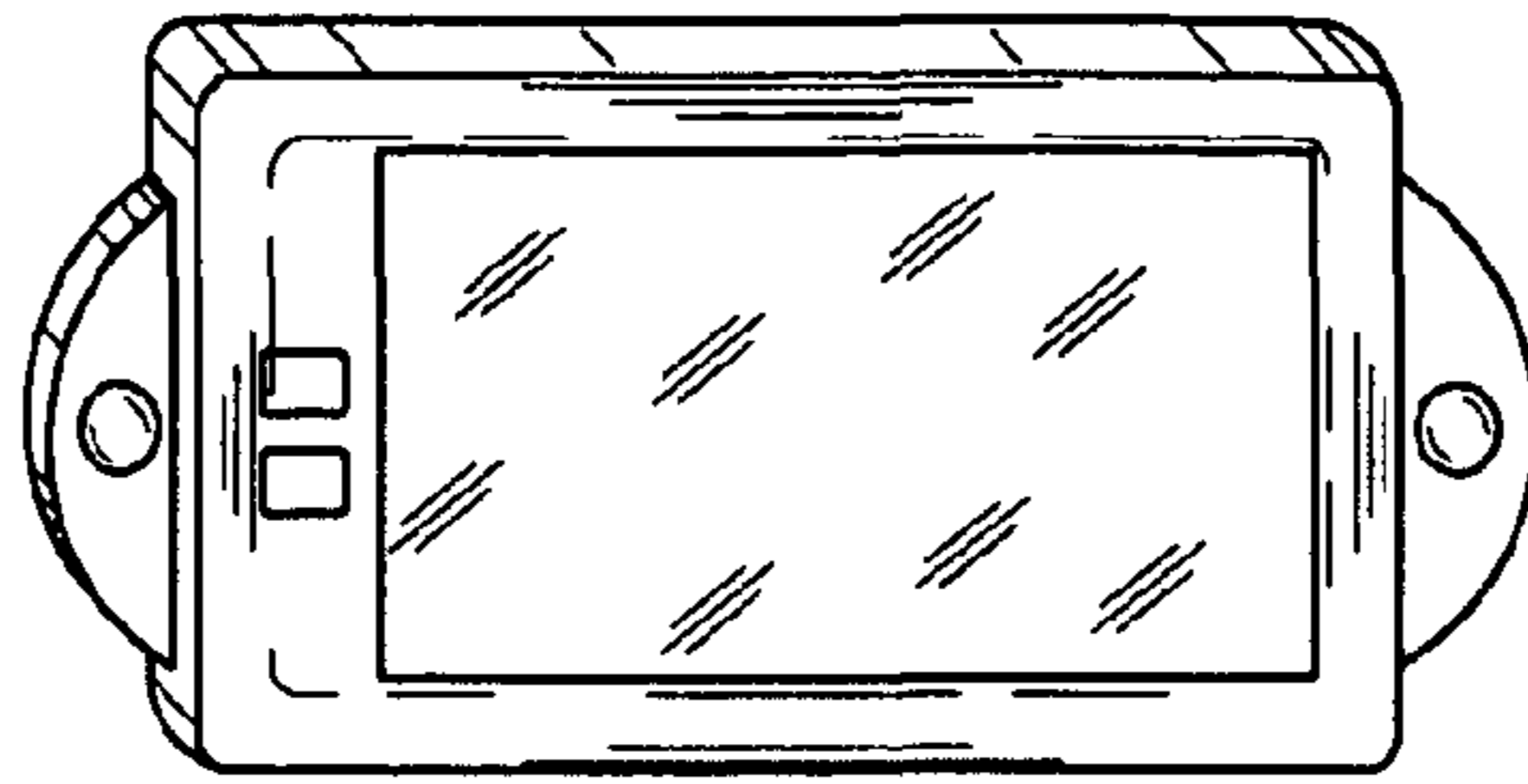


Fig. 1

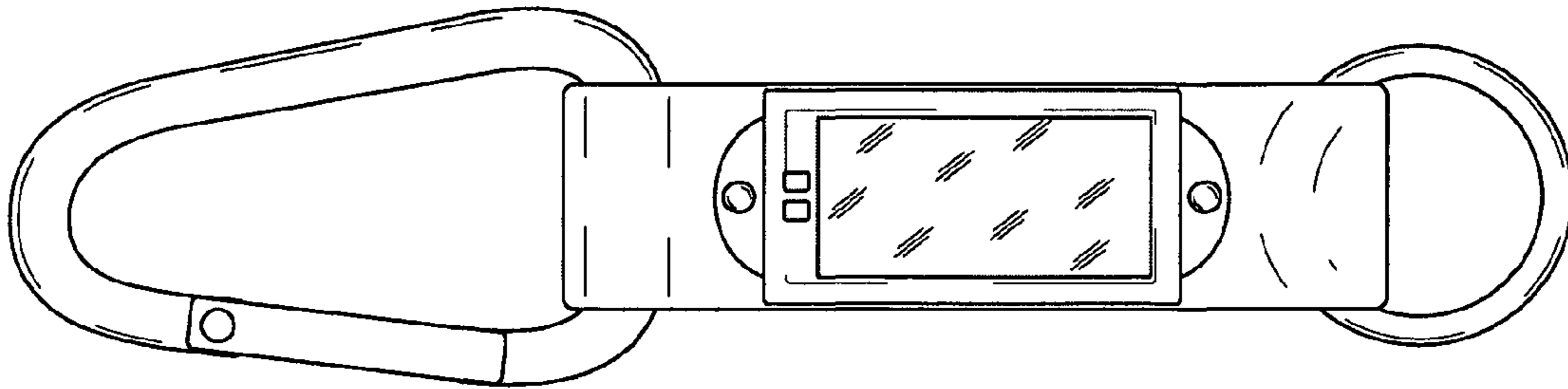


Fig. 2

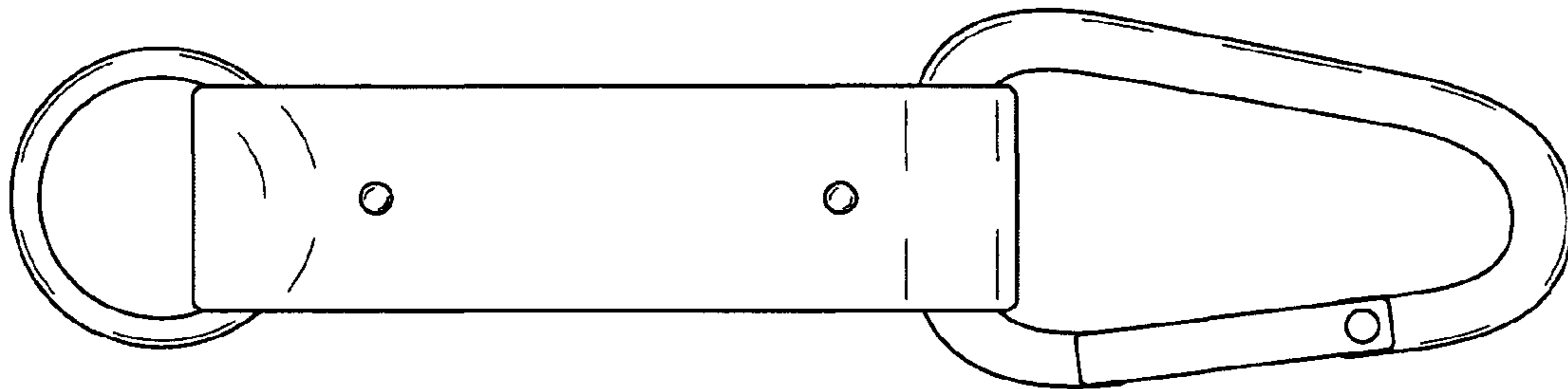


Fig. 3

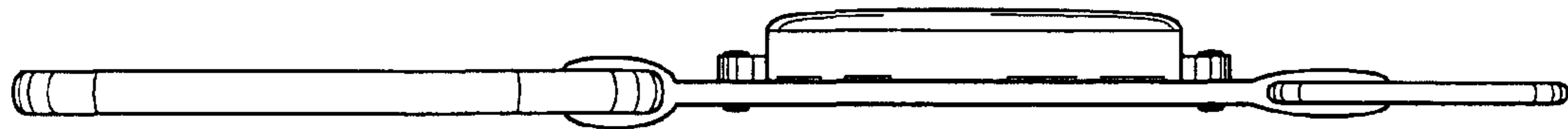


Fig. 4

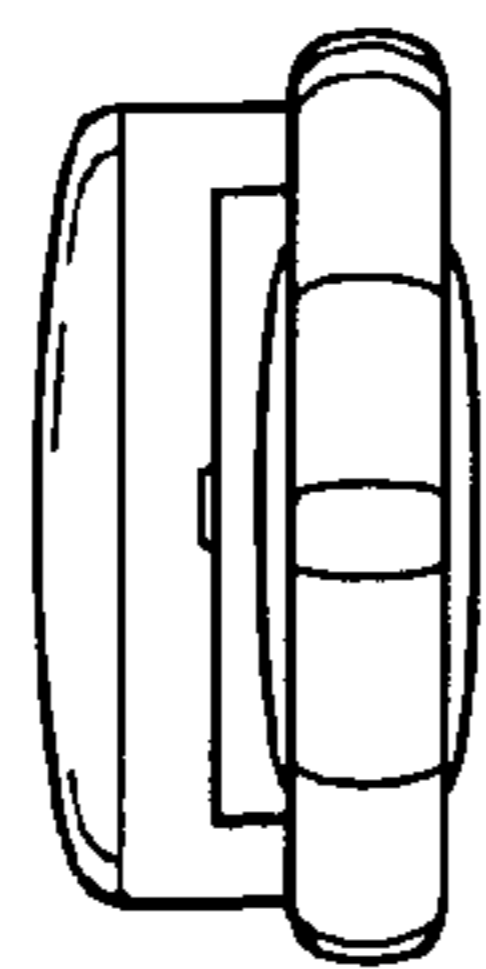


Fig. 5

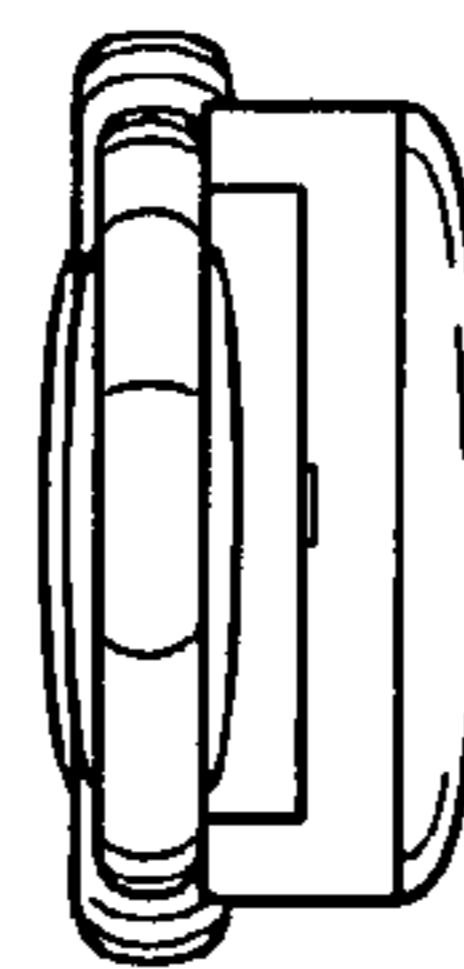


Fig. 6