



US00D619351S

(12) **United States Design Patent**  
**Verma et al.**

(10) **Patent No.:** **US D619,351 S**

(45) **Date of Patent:** **\*\* Jul. 13, 2010**

(54) **PILL ORGANIZER AND DISPENSER**

(76) Inventors: **Vandana Verma**, 18219 Emerald Stone La., Houston, TX (US) 77094; **Ravindra Kumar**, 18219 Emerald Stone La., Houston, TX (US) 77094

(\*\*) Term: **14 Years**

(21) Appl. No.: **29/346,429**

(22) Filed: **Oct. 30, 2009**

(51) **LOC (9) Cl.** ..... **03-01**

(52) **U.S. Cl.** ..... **D3/203.3**

(58) **Field of Classification Search** ..... D3/201–205,  
D3/294; 206/532–540; D9/730–737; D24/229  
See application file for complete search history.

(56) **References Cited**

U.S. PATENT DOCUMENTS

4,838,453	A	6/1989	Luckstead	
D305,685	S	1/1990	Lohman	
5,044,516	A	9/1991	Hoar	
5,246,136	A	9/1993	Loidl	
5,850,937	A	12/1998	Rauche	
D451,666	S	12/2001	Zastrow	
6,415,202	B1	7/2002	Halfacre	
6,510,962	B1	1/2003	Lim	
D528,288	S *	9/2006	Coe et al.	..... D3/203.3
7,100,793	B2	9/2006	Baum	

D540,038	S *	4/2007	Hussaini et al.	..... D3/294
D541,039	S *	4/2007	Stugelmeyer	..... D3/203.3
D563,095	S *	3/2008	Sabbag	..... D3/203.3
D563,561	S *	3/2008	Faust et al.	..... D24/229
2003/0127463	A1	7/2003	Varis	

\* cited by examiner

*Primary Examiner*—Catherine R Oliver  
(74) *Attorney, Agent, or Firm*—Crossley Patent Law; Mark A. Crossley

(57) **CLAIM**

The ornamental design for a pill organizer and dispenser, as shown and described.

**DESCRIPTION**

FIG. 1 is a top plan view of a pill organizer and dispenser showing our new design;

FIG. 2 is a bottom plan view thereof;

FIG. 3 is a right elevation view thereof, the opposite side being a mirror image of the shown;

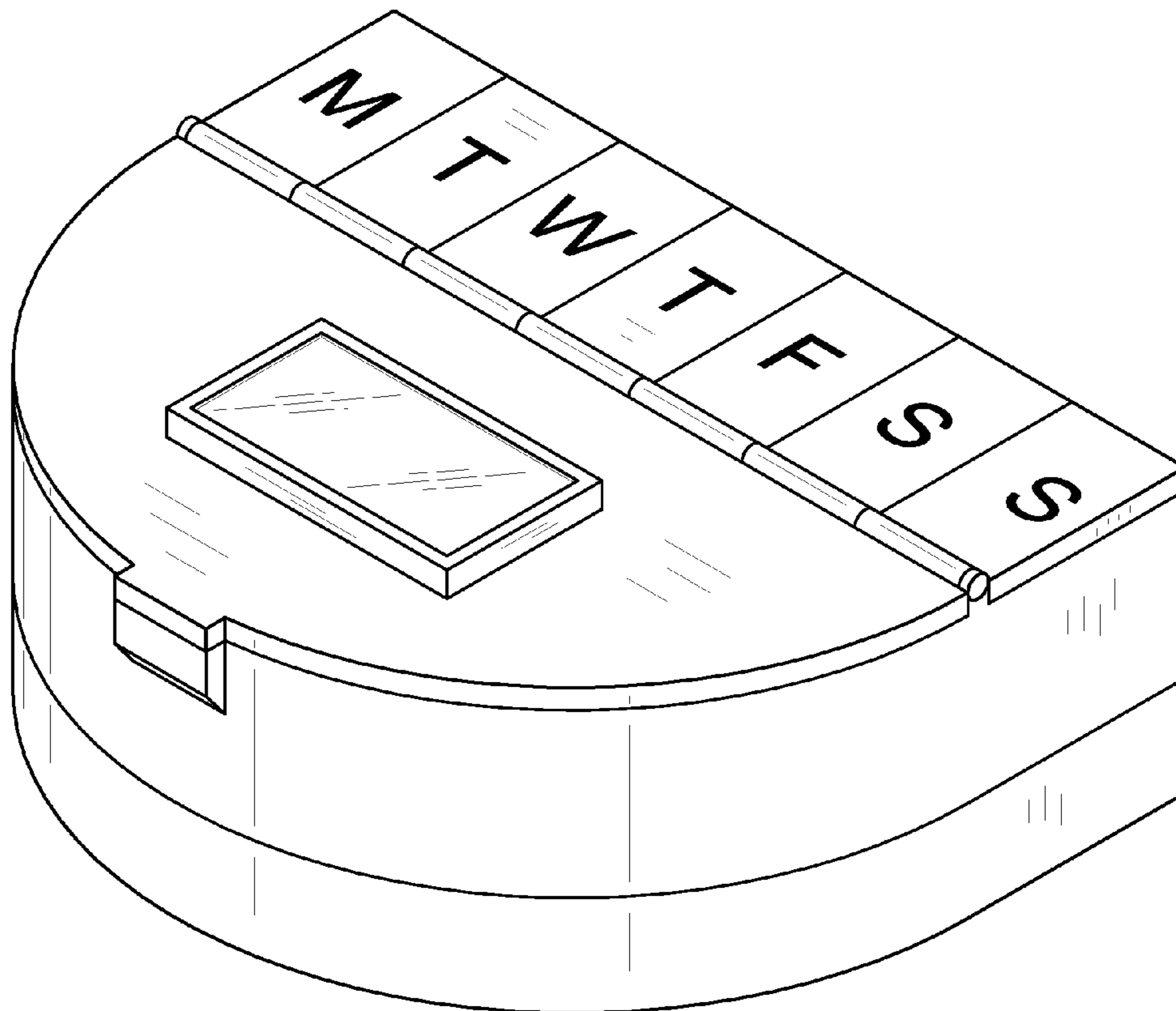
FIG. 4 is a rear elevation view thereof;

FIG. 5 is a front elevation view thereof;

FIG. 6 is a right perspective view thereof; and,

FIG. 7 is a bottom perspective view thereof.

**1 Claim, 4 Drawing Sheets**



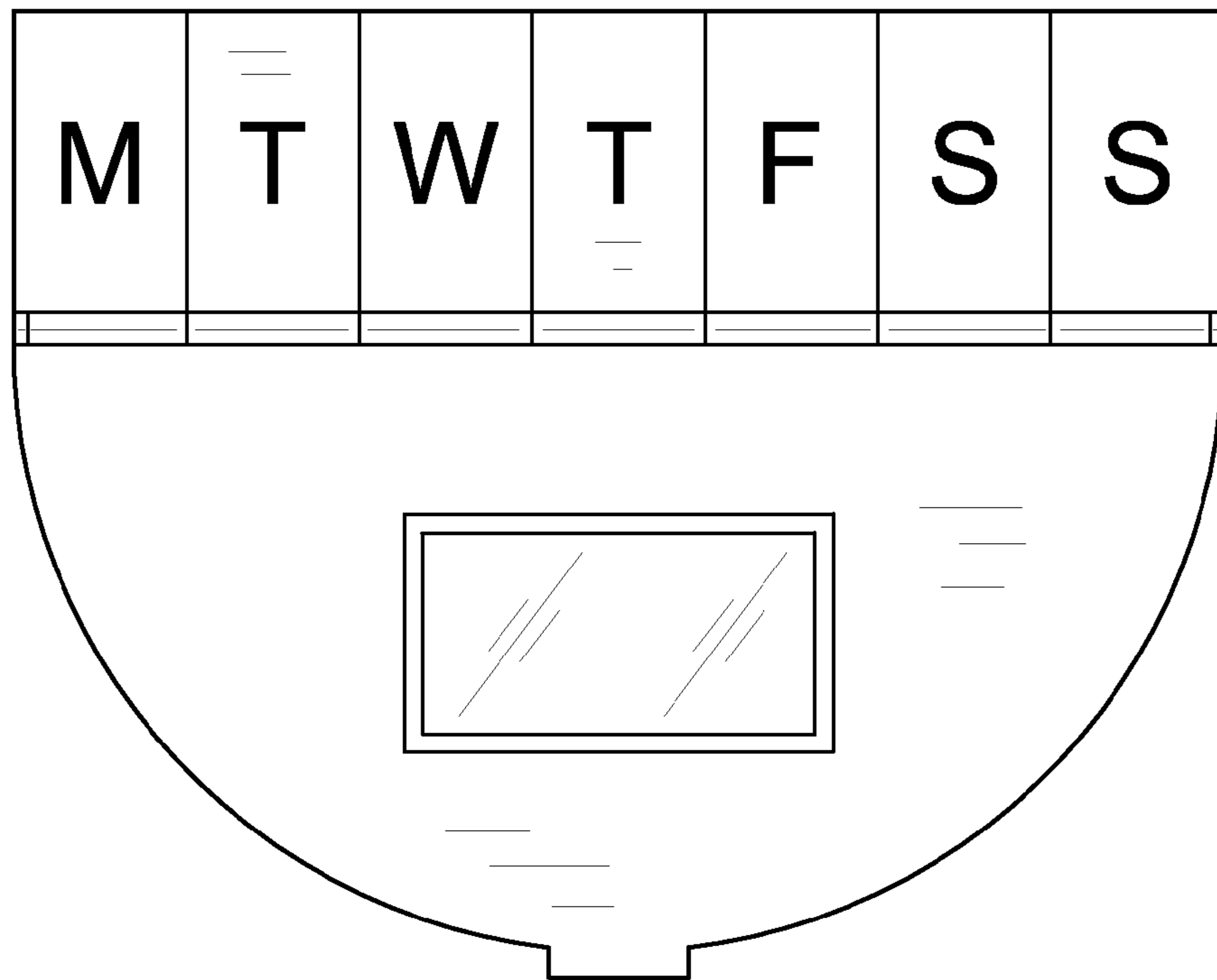


FIG. 1

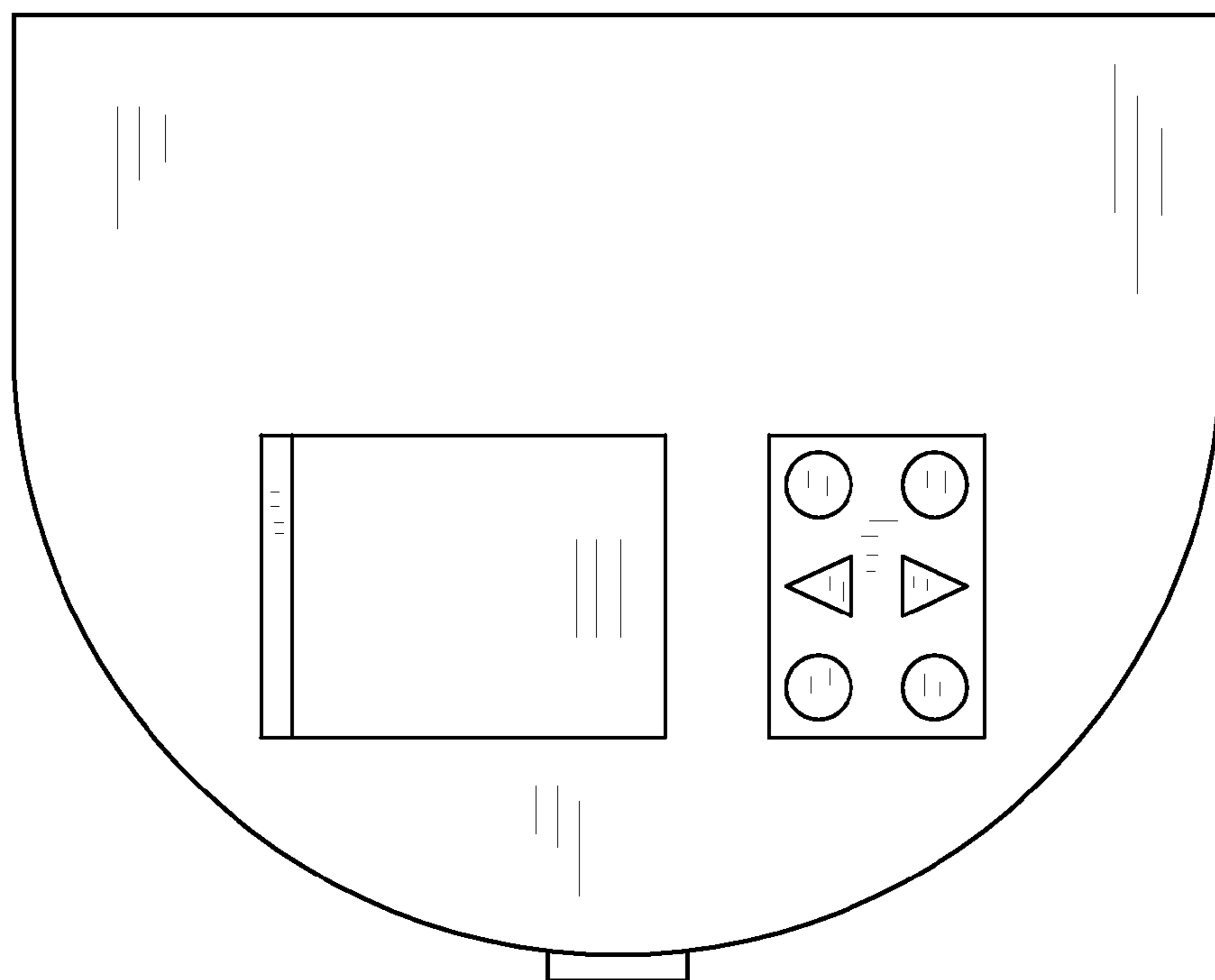


FIG. 2

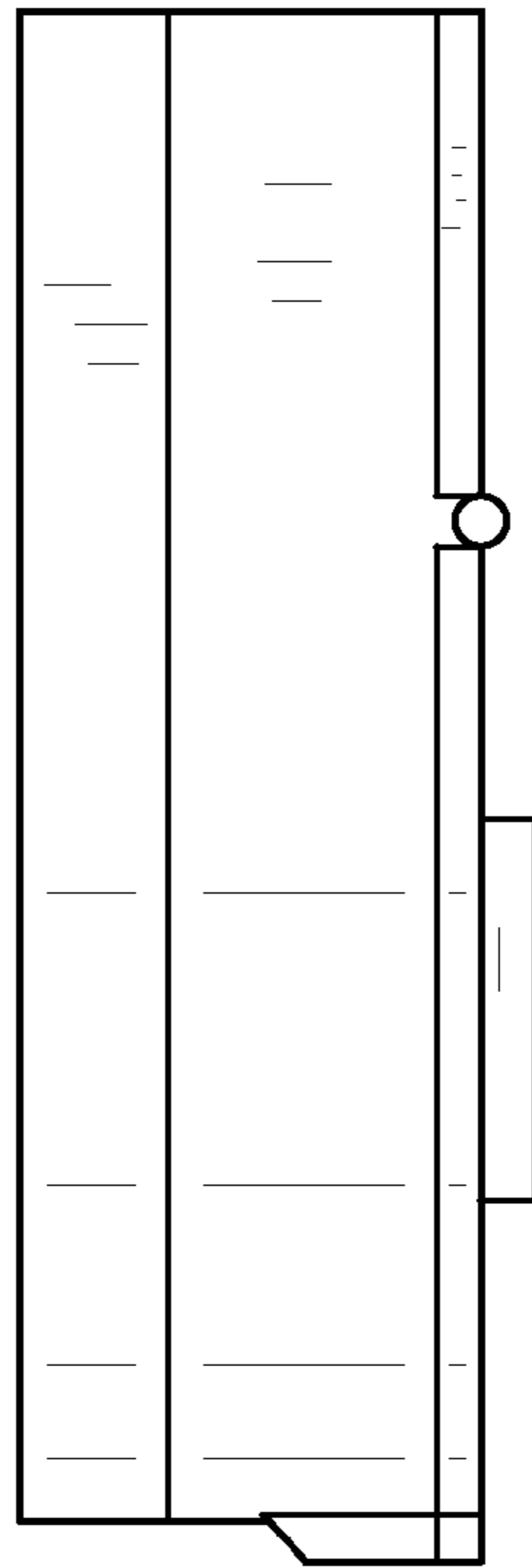


FIG. 3

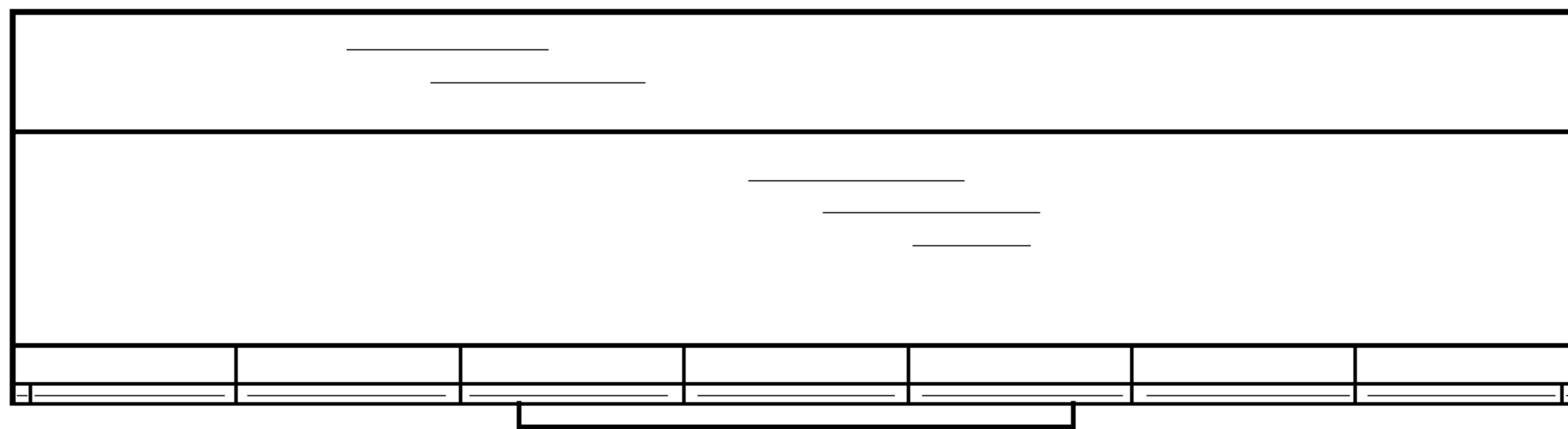


FIG. 4

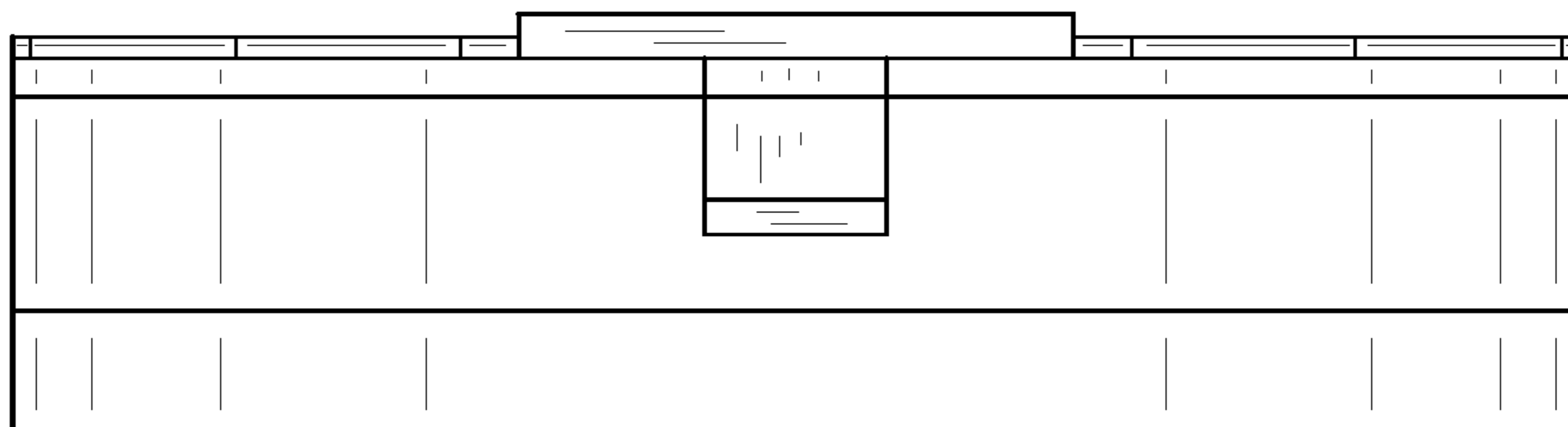


FIG. 5

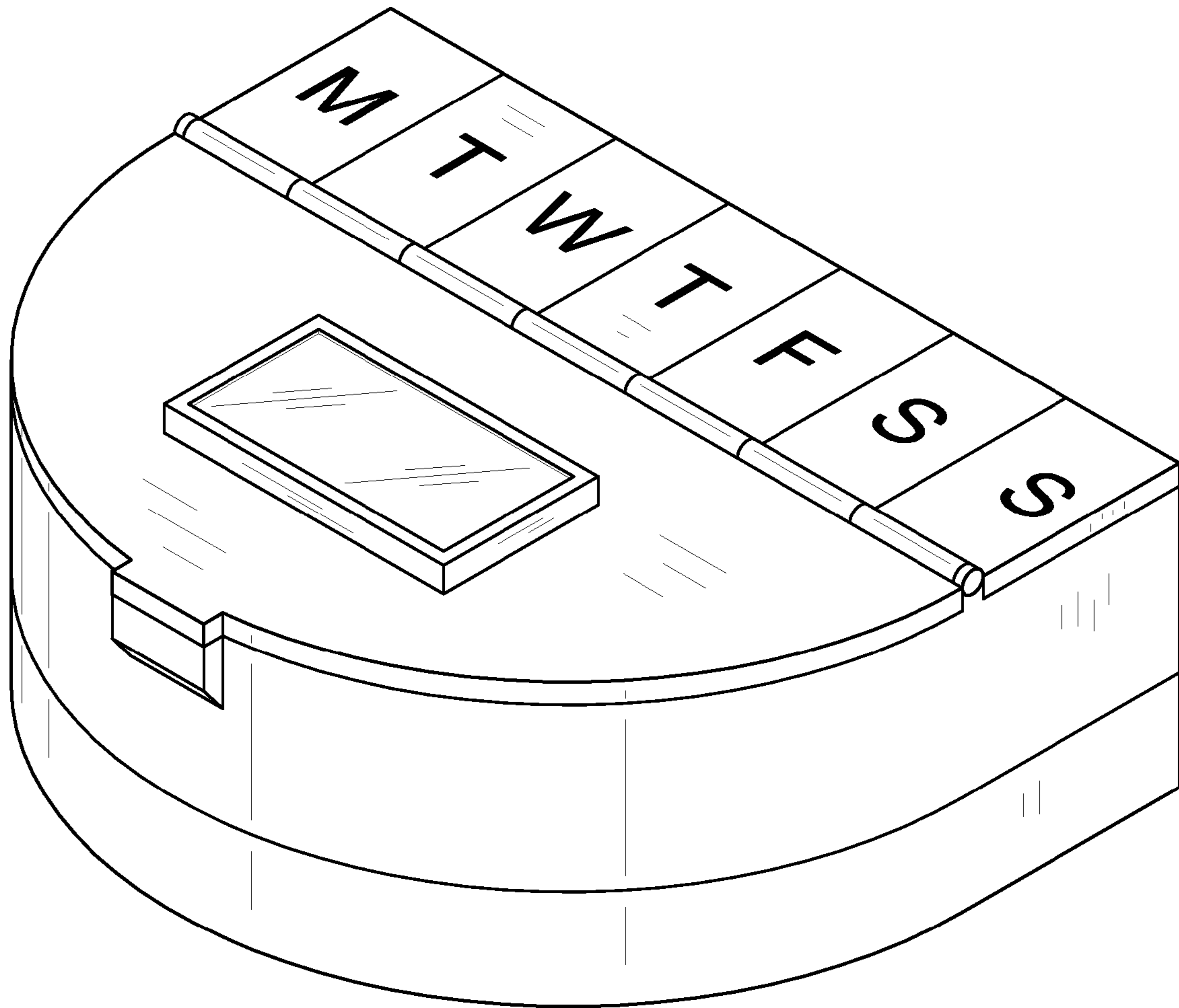


FIG. 6

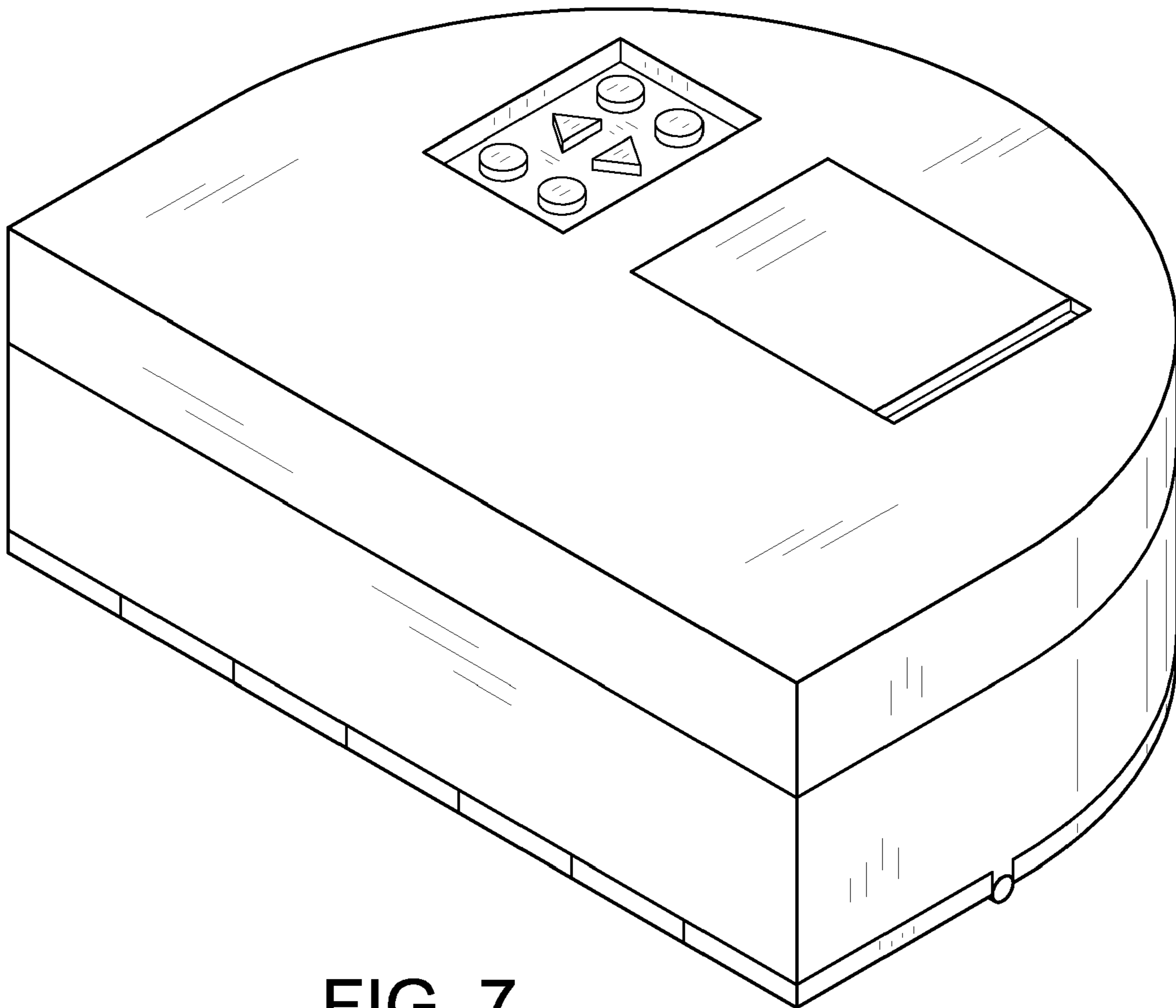


FIG. 7