



US00D619334S

(12) **United States Design Patent**  
**Barina**

(10) **Patent No.:** **US D619,334 S**  
(45) **Date of Patent:** **\*\* Jul. 13, 2010**

(54) **POCKET FOR CLOTHING**

(75) Inventor: **Federico Barina**, Padua (IT)

(73) Assignee: **Black Studio S.R.L.**, Padua (IT)

(\*\*) Term: **14 Years**

(21) Appl. No.: **29/309,885**

(22) Filed: **Nov. 3, 2008**

(30) **Foreign Application Priority Data**

May 8, 2008 (EM) ..... 000931183

(51) **LOC (9) Cl.** ..... **02-02**

(52) **U.S. Cl.** ..... **D2/857**

(58) **Field of Classification Search** ..... D2/716,  
D2/717, 728, 742, 840, 844, 853, 857, 863,  
D2/864; 2/48, 49.2, 69, 93, 115, 227, 228,  
2/247-254, 275

See application file for complete search history.

(56) **References Cited**

**U.S. PATENT DOCUMENTS**

933,099	A *	9/1909	McDonald	.....	2/247
1,999,927	A *	4/1935	Grunbaum	.....	2/247
2,671,902	A *	3/1954	Grue	.....	40/586
2,840,824	A *	7/1958	Horner	.....	2/247
3,091,773	A *	6/1963	Andrews	.....	2/247
3,438,062	A *	4/1969	Dobell	.....	2/247
D260,320	S *	8/1981	Heinfling	.....	D2/857
D278,375	S *	4/1985	Heinfling	.....	D2/857

**FOREIGN PATENT DOCUMENTS**

JP 2009011808 A \* 1/2009

\* cited by examiner

*Primary Examiner*—Ian Simmons

*Assistant Examiner*—R. Johnson

(74) *Attorney, Agent, or Firm*—Modiano & Associati; Albert Josif; Daniel J. O’Byrne

(57) **CLAIM**

The ornamental design for a pocket for clothing, as shown and described.

**DESCRIPTION**

FIG. 1 is a perspective view of a pocket for clothing, showing my new design;

FIG. 2 is a front view thereof;

FIG. 3 is a rear view thereof;

FIG. 4 is a left side view thereof;

FIG. 5 is a right side view thereof;

FIG. 6 is a top view thereof;

FIG. 7 is a bottom view thereof;

FIG. 8 is a perspective view of the pocket for clothing in a second embodiment;

FIG. 9 is a front view thereof;

FIG. 10 is a rear view thereof;

FIG. 11 is a left side view thereof;

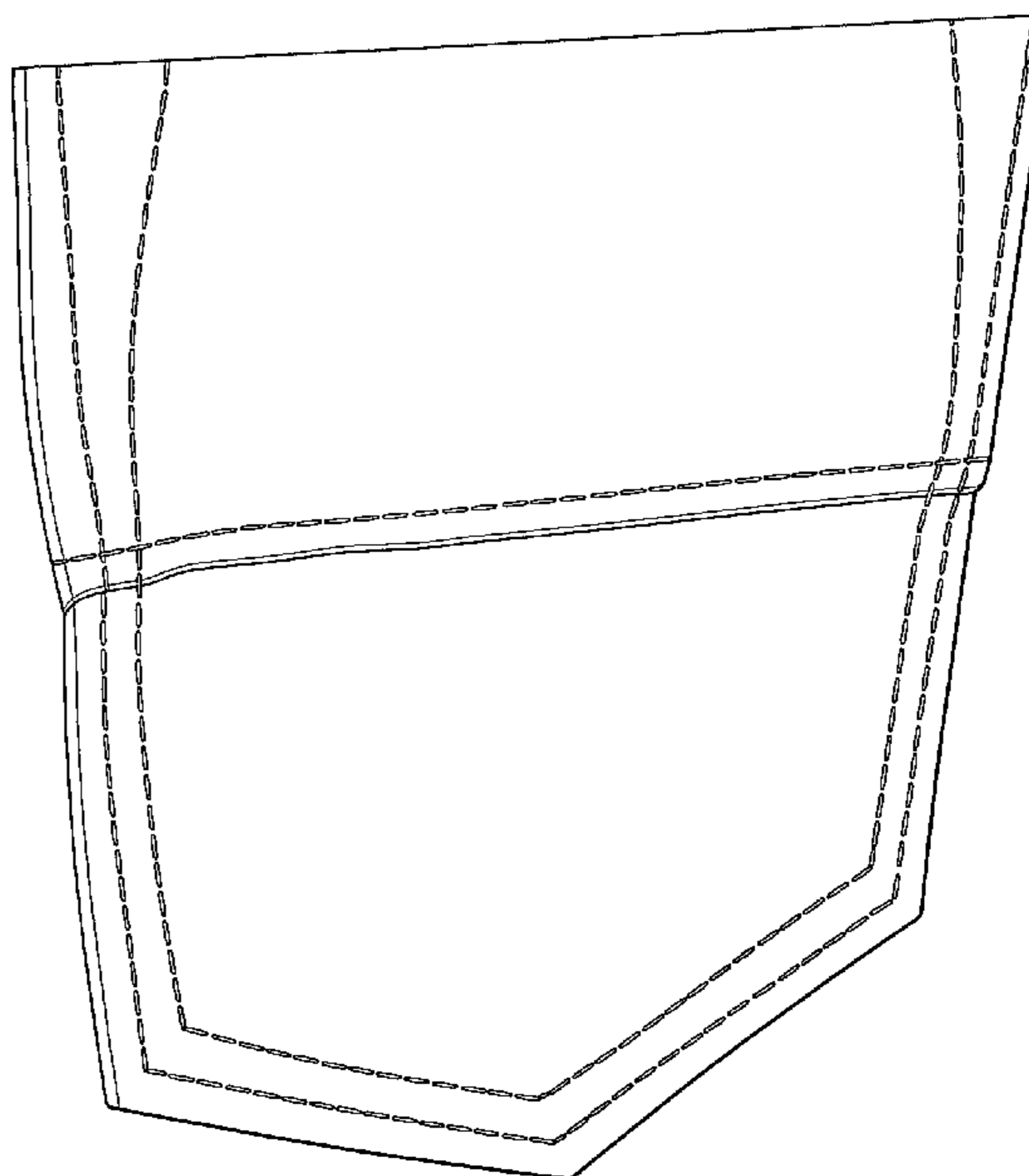
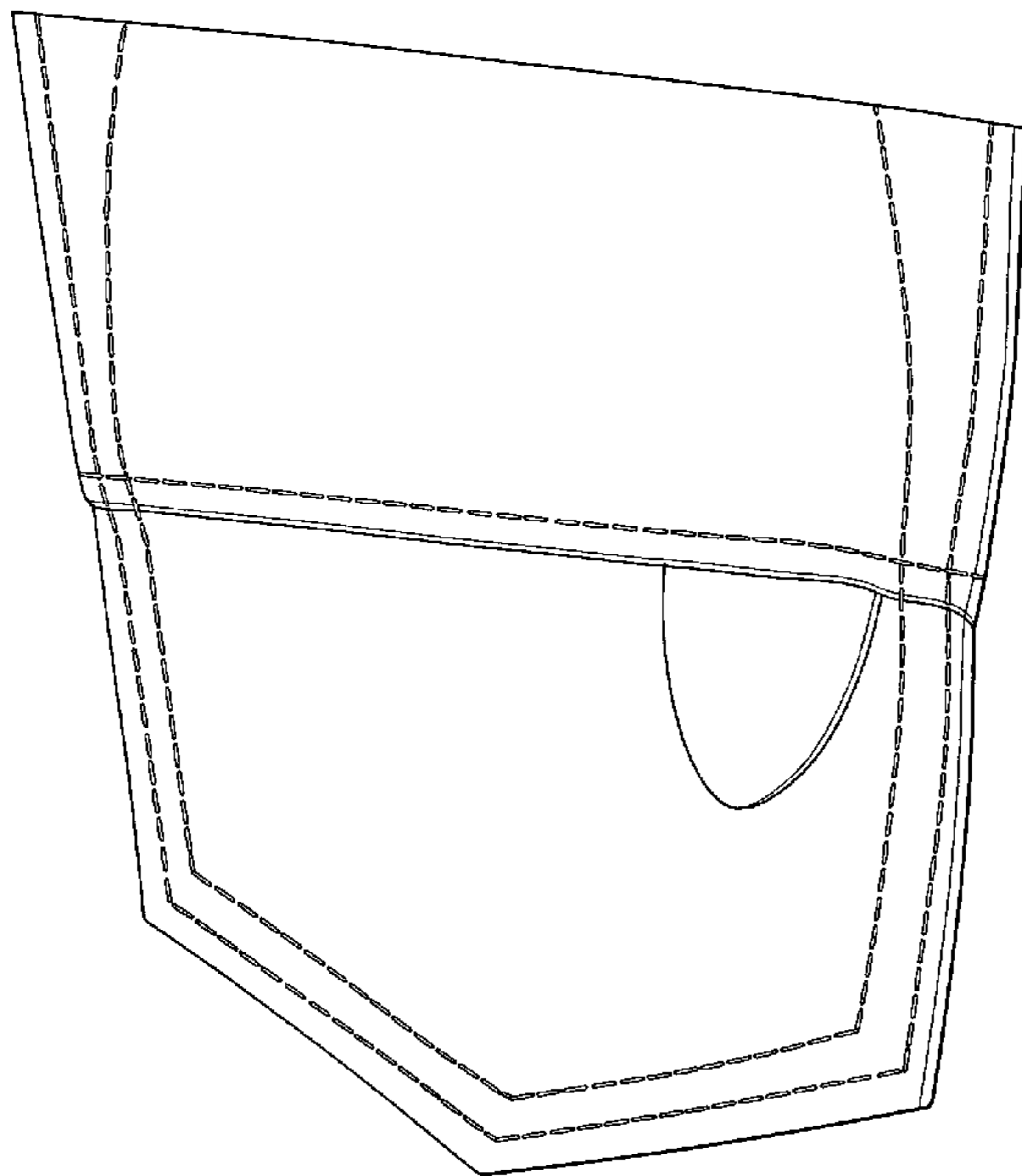
FIG. 12 is a right side view thereof;

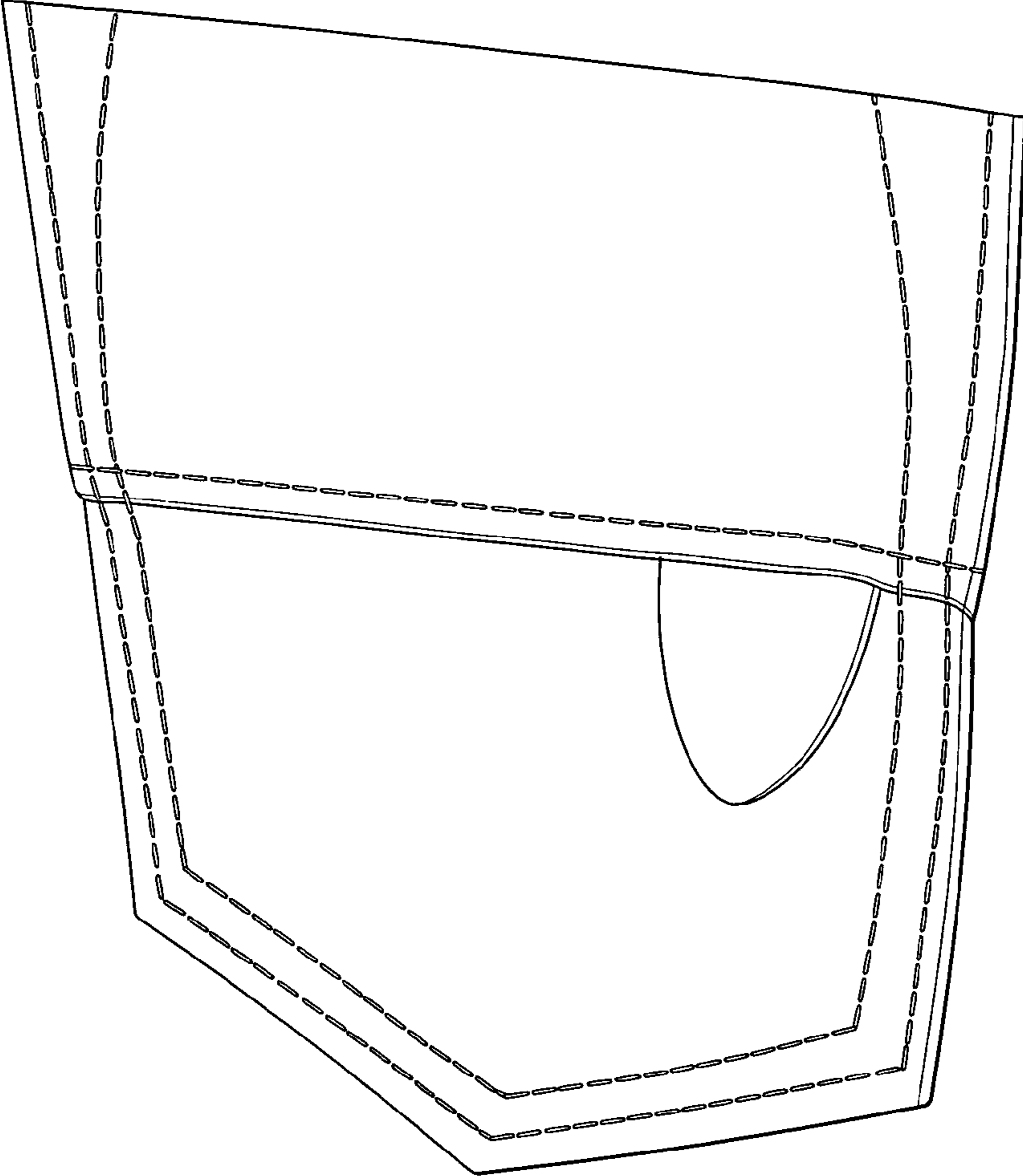
FIG. 13 is a top view thereof; and,

FIG. 14 is a bottom view thereof.

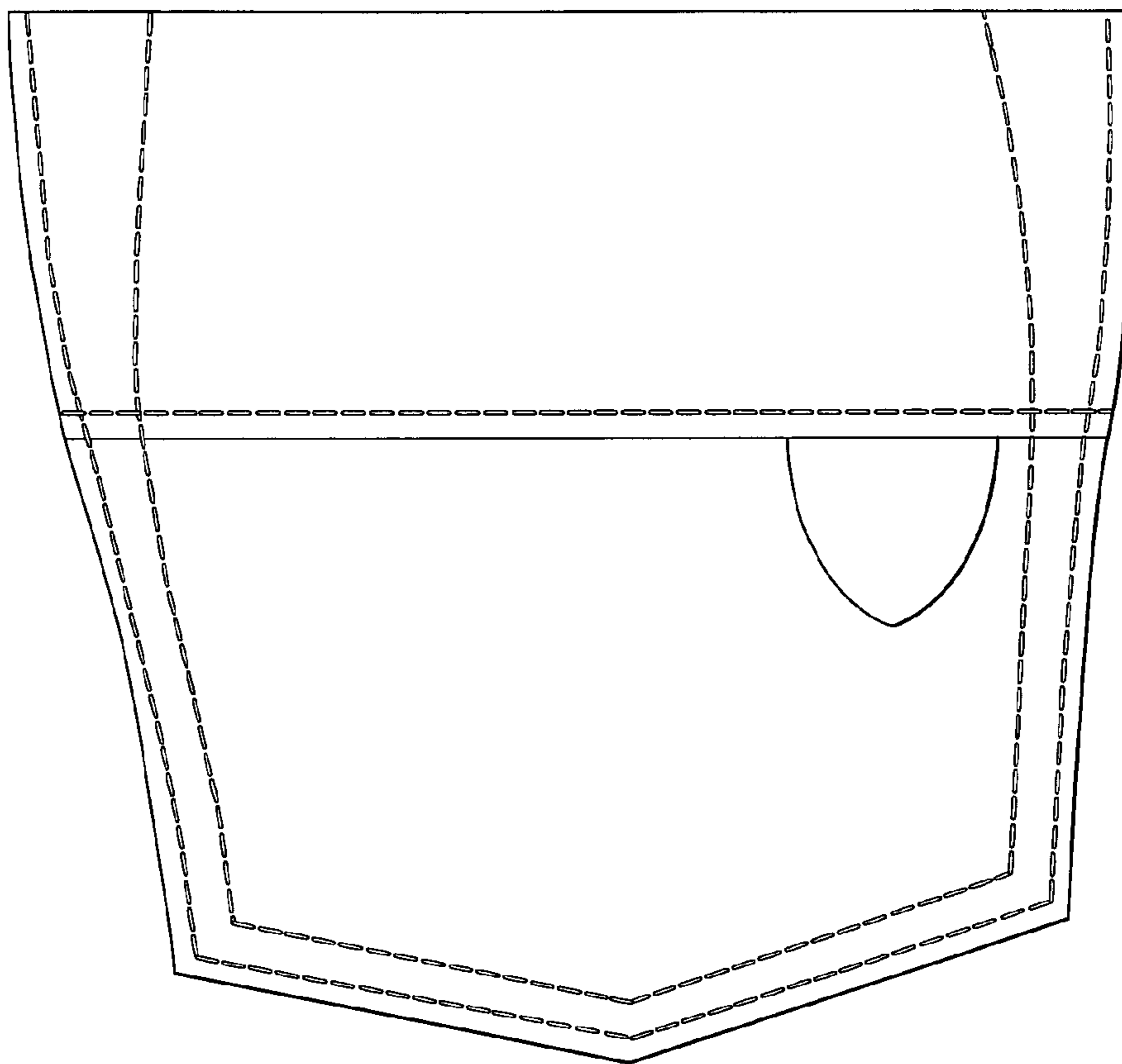
The broken lines shown throughout the views represent stitching.

**1 Claim, 8 Drawing Sheets**

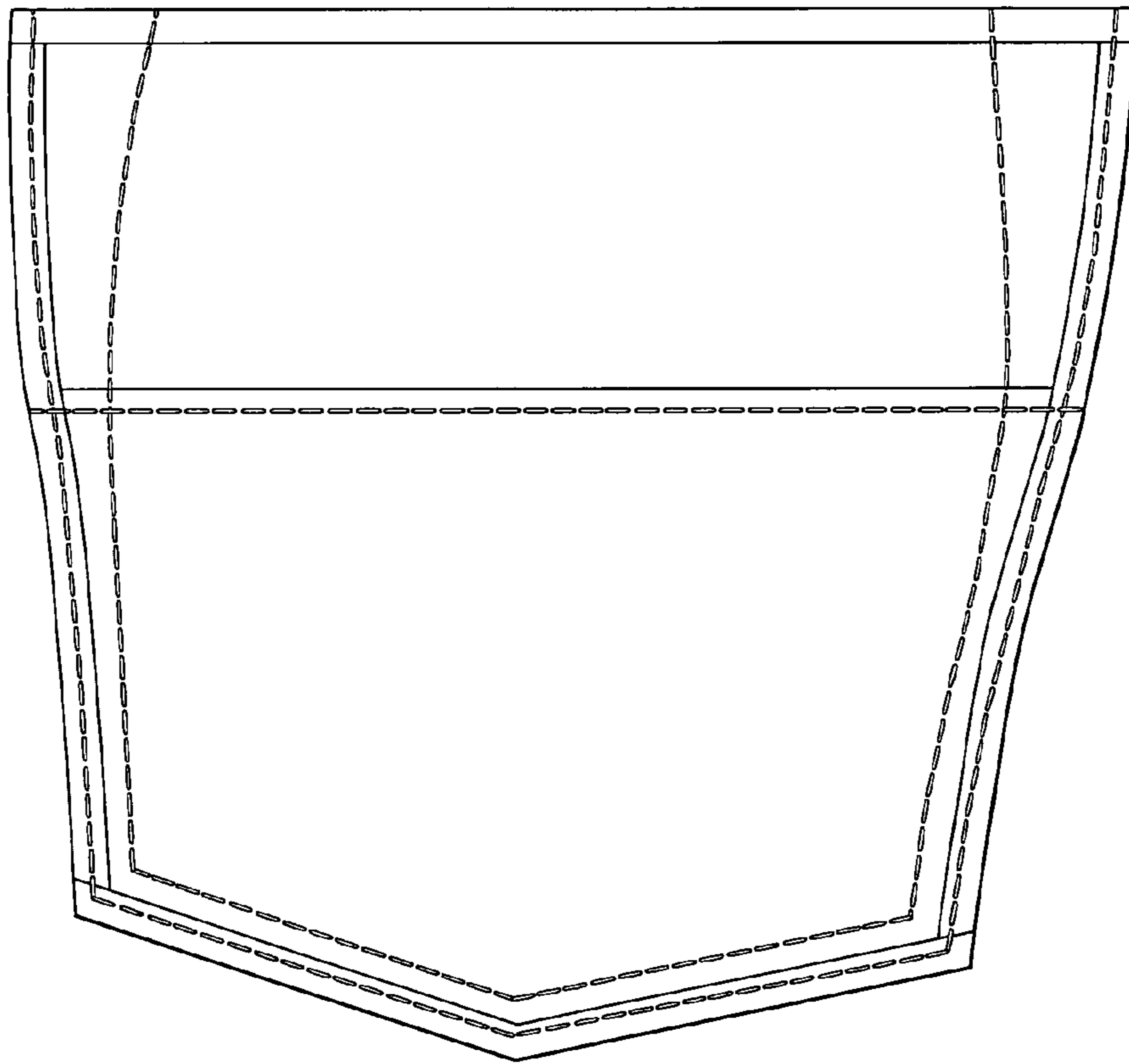




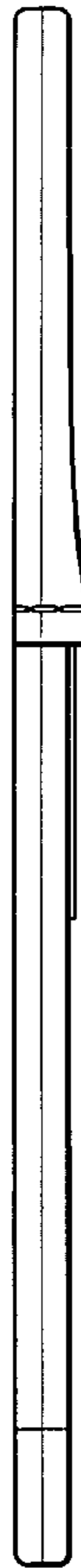
*Fig. 1*



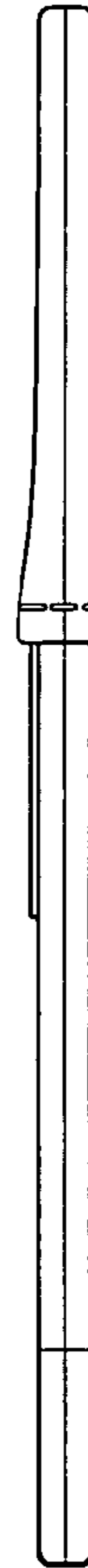
*Fig. 2*



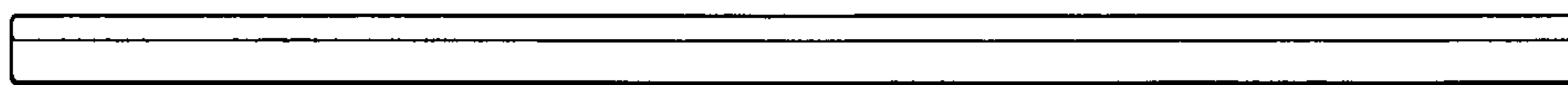
*Fig. 3*



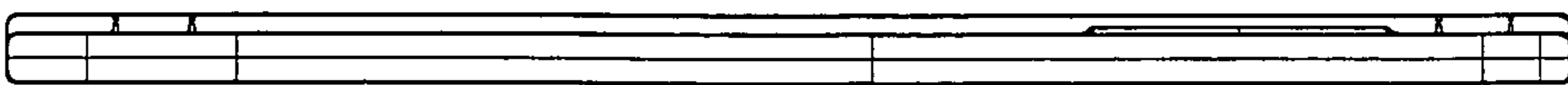
*Fig. 4*



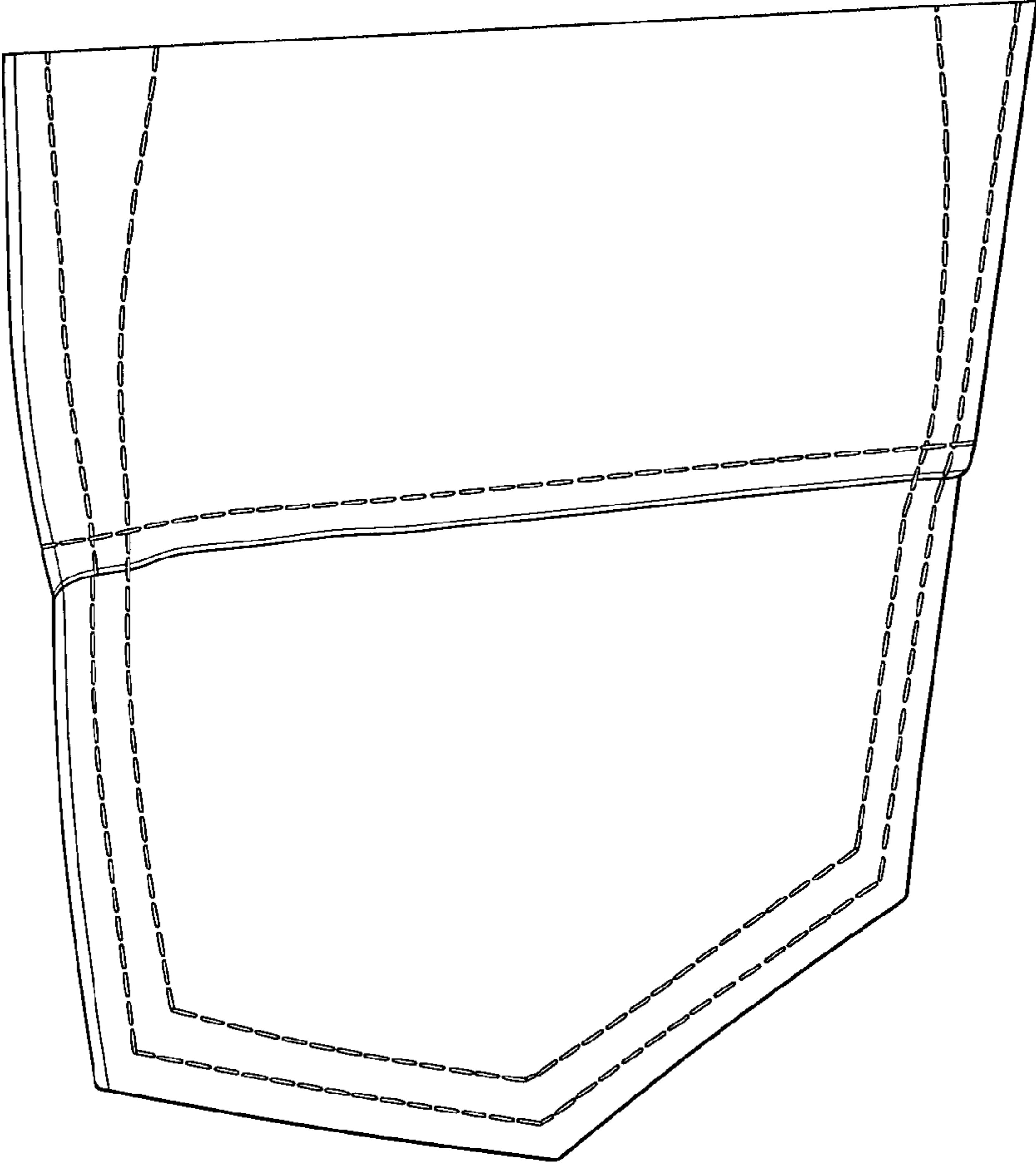
*Fig. 5*



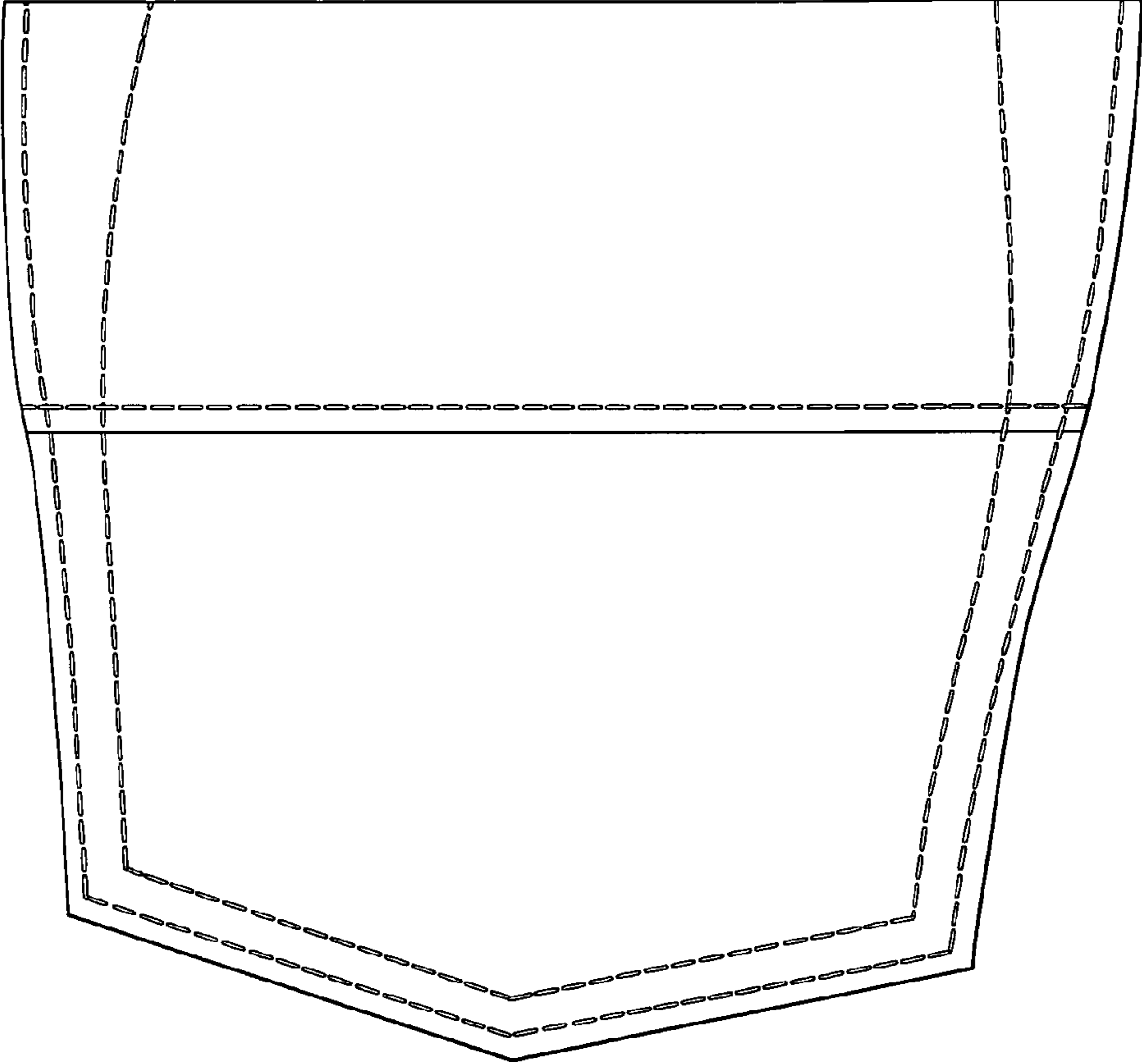
*Fig. 6*



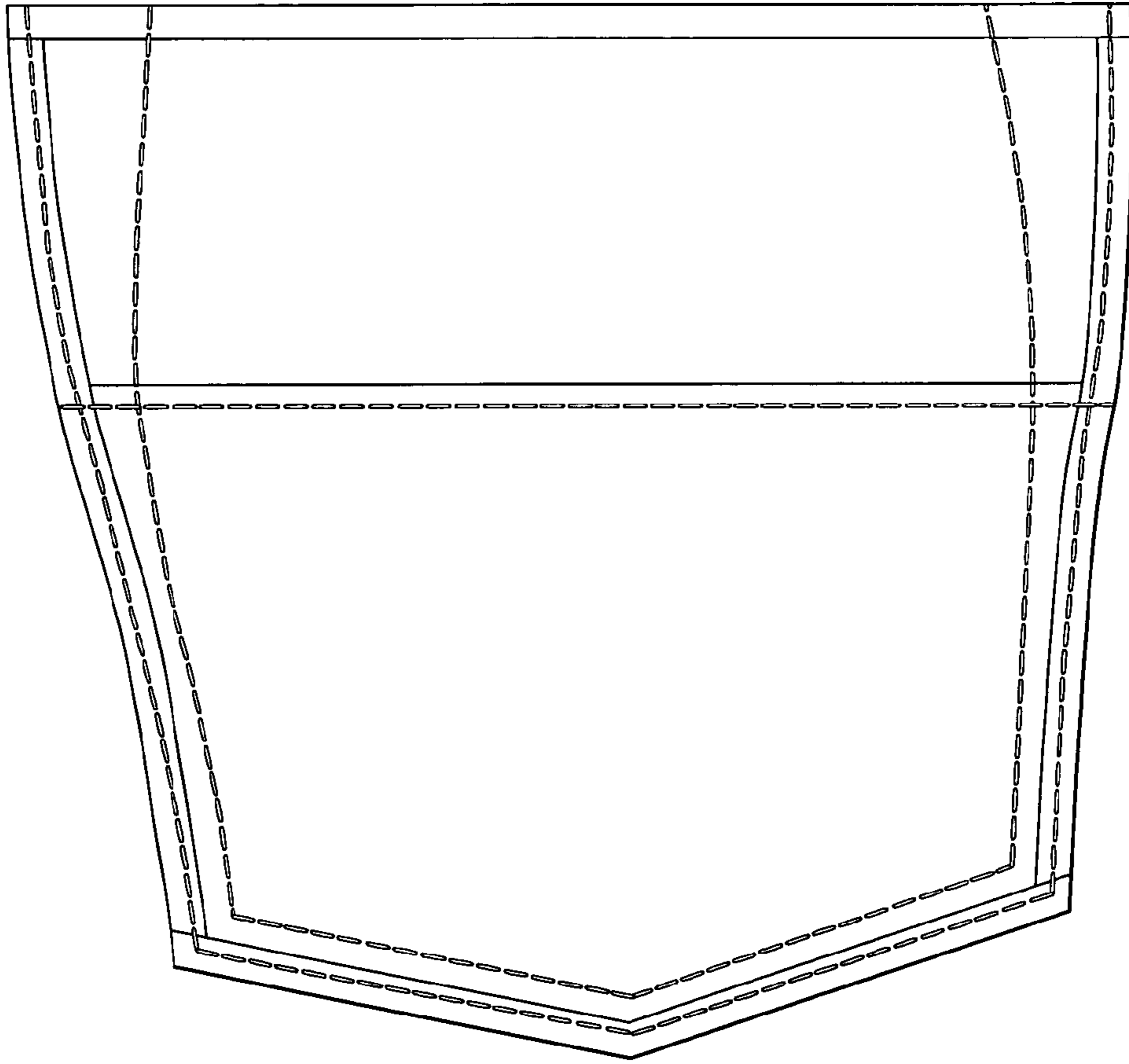
*Fig. 7*



*Fig. 8*



*Fig. 9*

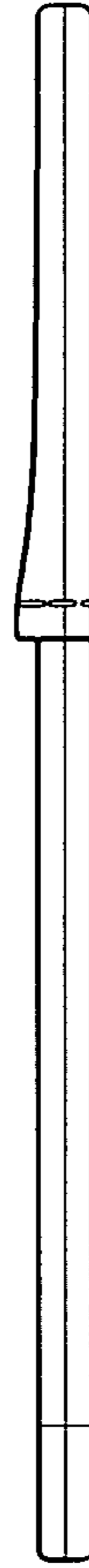


*Fig. 10*

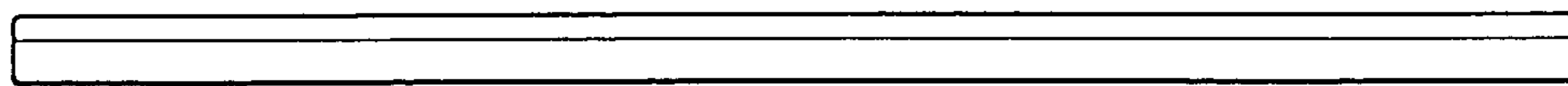




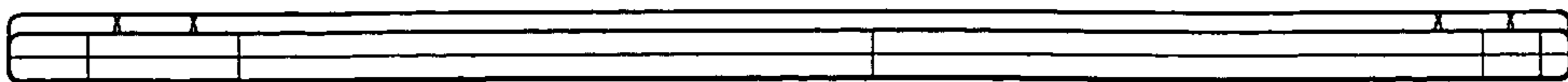
*Fig. 11*



*Fig. 12*



*Fig. 13*



*Fig. 14*