



US00D619325S

(12) **United States Design Patent**  
**Mantilla et al.**

(10) **Patent No.:** **US D619,325 S**

(45) **Date of Patent:** **\*\* Jul. 6, 2010**

(54) **PNEUMATIC BOAT LIFT**

7,318,385 B2 \* 1/2008 Derner ..... 114/44  
D586,524 S \* 2/2009 Mertes ..... D34/28

(76) Inventors: **Marco Mantilla**, 2543 SW. 11 St., #B,  
Miami, FL (US) 33135; **Jorge Alvarado**,  
590 W. 56 St., Hialeah, FL (US) 33012

\* cited by examiner

*Primary Examiner*—Cynthia E Ramirez

(74) *Attorney, Agent, or Firm*—Albert Bordas, P.A.

(\*\*) Term: **14 Years**

(21) Appl. No.: **29/339,726**

(57) **CLAIM**

(22) Filed: **Jul. 7, 2009**

The ornamental design for a pneumatic boat lift, as shown and described.

(51) **LOC (9) Cl.** ..... **12-05**

(52) **U.S. Cl.** ..... **D34/28**

(58) **Field of Classification Search** ..... D34/28,  
D34/33, 31; 414/917, 343, 546, 558, 921,  
414/2 R, 126; 405/3; 114/44, 48

**DESCRIPTION**

See application file for complete search history.

FIG. 1 is a top plan view of a pneumatic boat lift;  
FIG. 2 is a front elevational view thereof;  
FIG. 3 is a bottom view thereof;  
FIG. 4 is a right side elevational view thereof, the left side  
elevational view being a mirror image thereof;  
FIG. 5 is a rear elevational view thereof;  
FIG. 6 is a first front isometric view thereof;  
FIG. 7 is a rear isometric view thereof; and,  
FIG. 8 is a second front isometric view thereof, showing the  
invention with a boat mounted thereon.

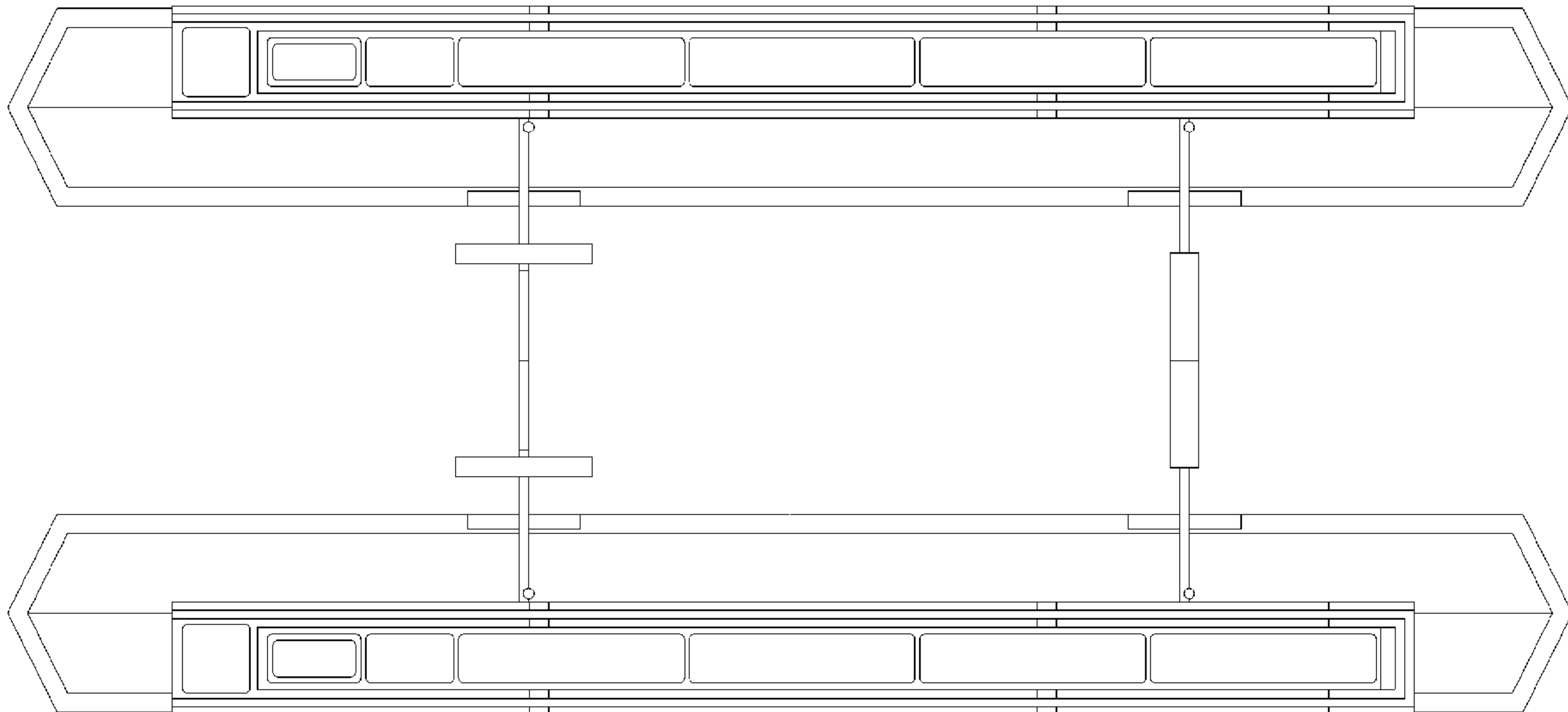
(56) **References Cited**

U.S. PATENT DOCUMENTS

4,801,152	A *	1/1989	Elliott et al.	.....	280/47.34
5,184,914	A *	2/1993	Basta	.....	405/3
D344,835	S *	3/1994	MacEachern	.....	D34/31
5,485,798	A *	1/1996	Samoian et al.	.....	114/44
5,890,835	A *	4/1999	Basta et al.	.....	405/3
7,021,861	B2 *	4/2006	Basta	.....	405/3
7,168,380	B2 *	1/2007	Canniffe et al.	.....	114/49
7,246,970	B2 *	7/2007	Hey	.....	405/3
7,273,329	B2 *	9/2007	Spratt et al.	.....	405/3

The broken lines are for environmental purposes only and form no part of the claimed design.

**1 Claim, 8 Drawing Sheets**



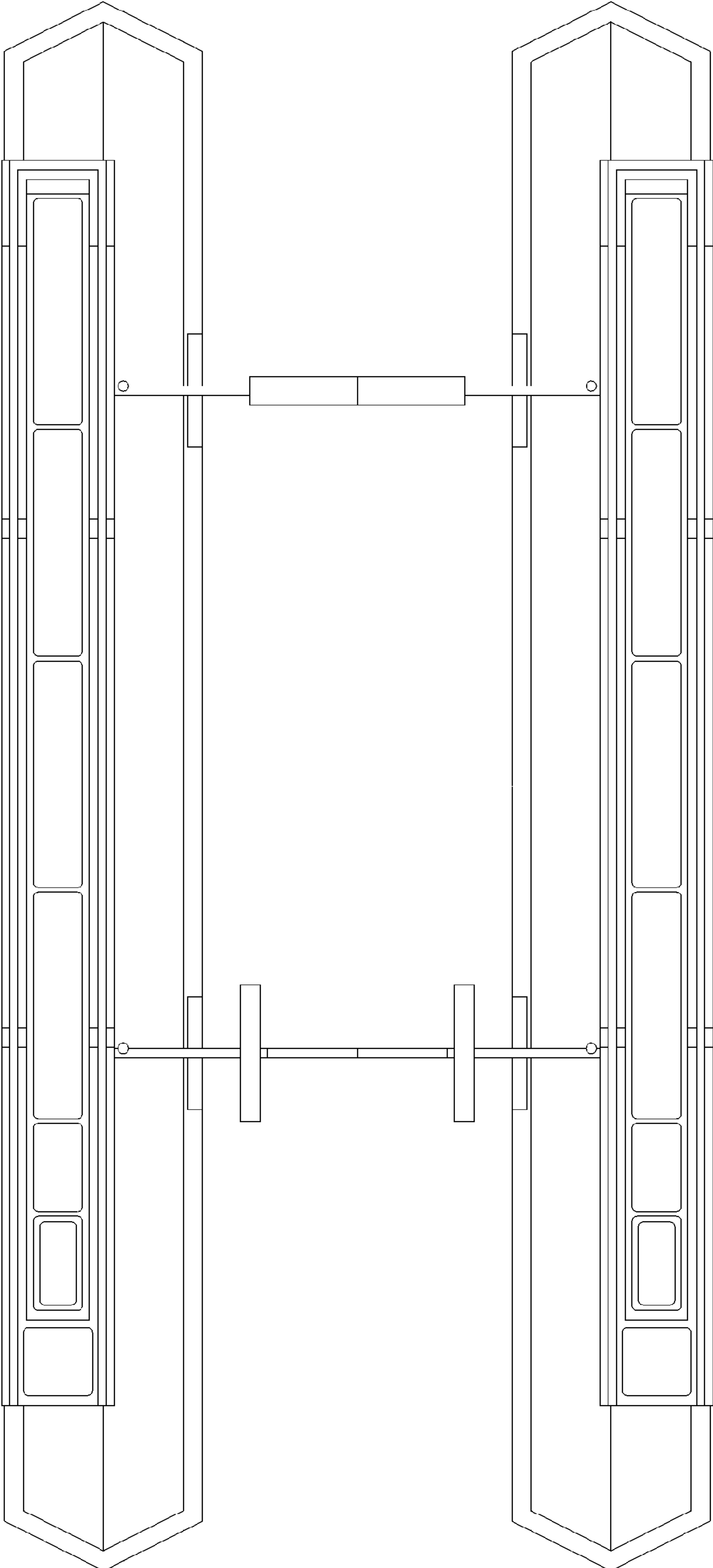


Fig. 1

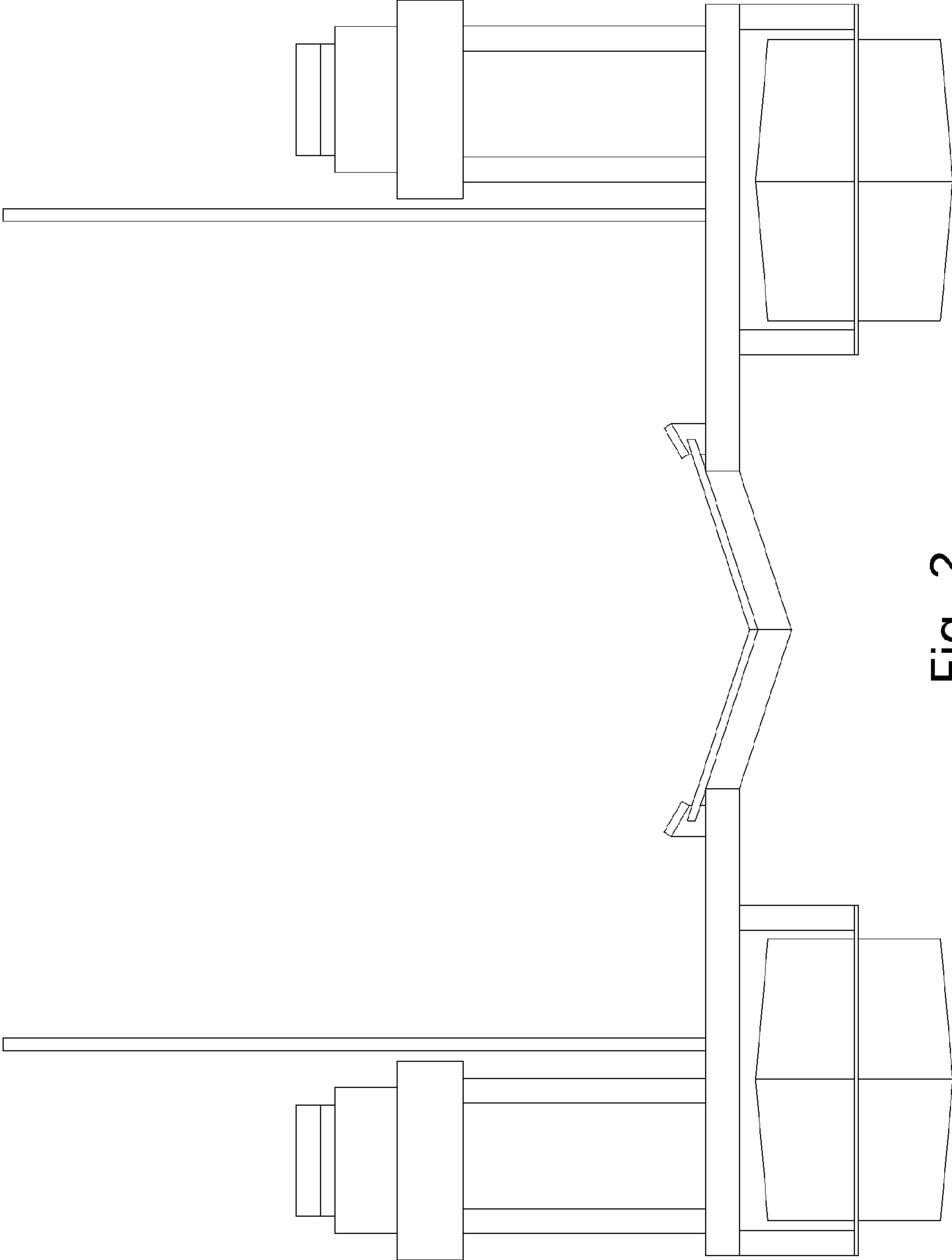


Fig. 2

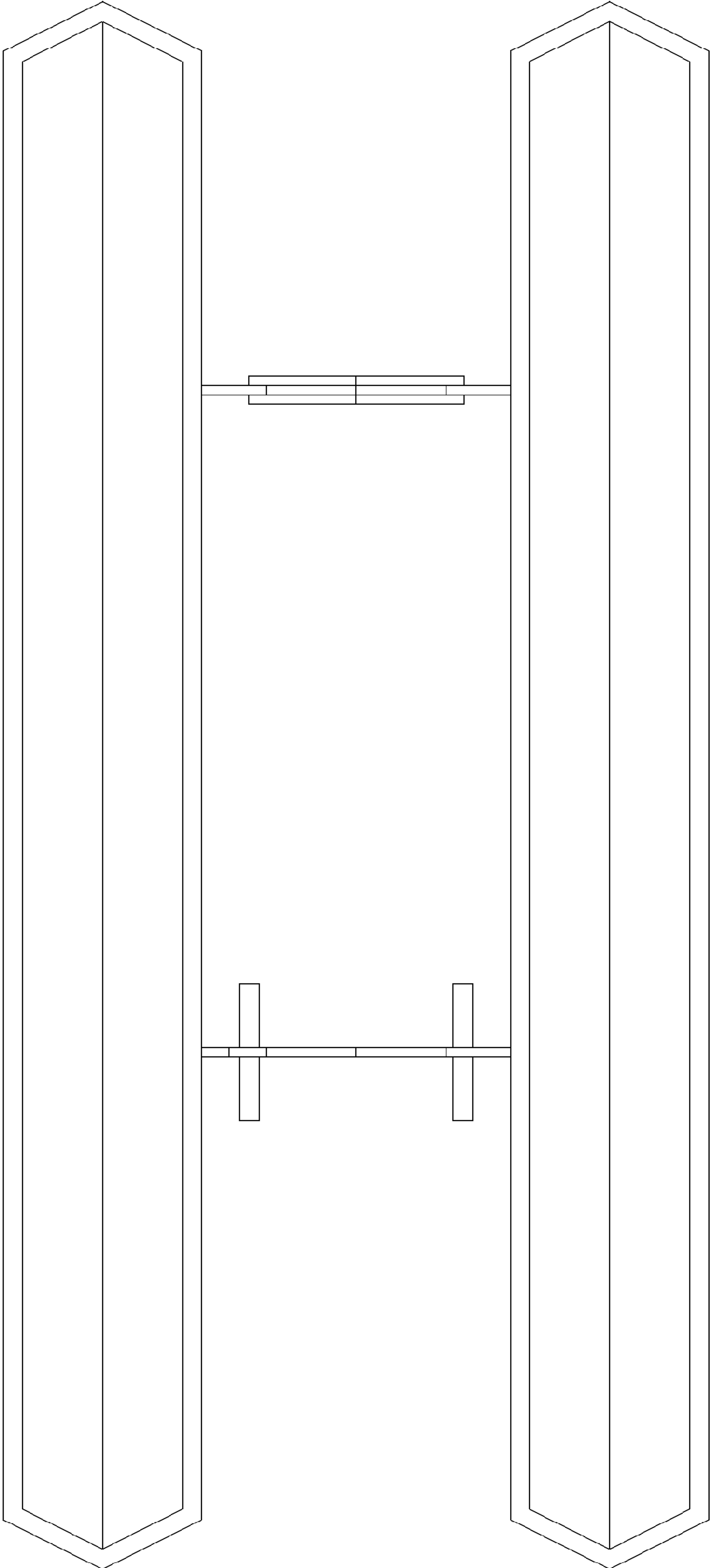


Fig. 3

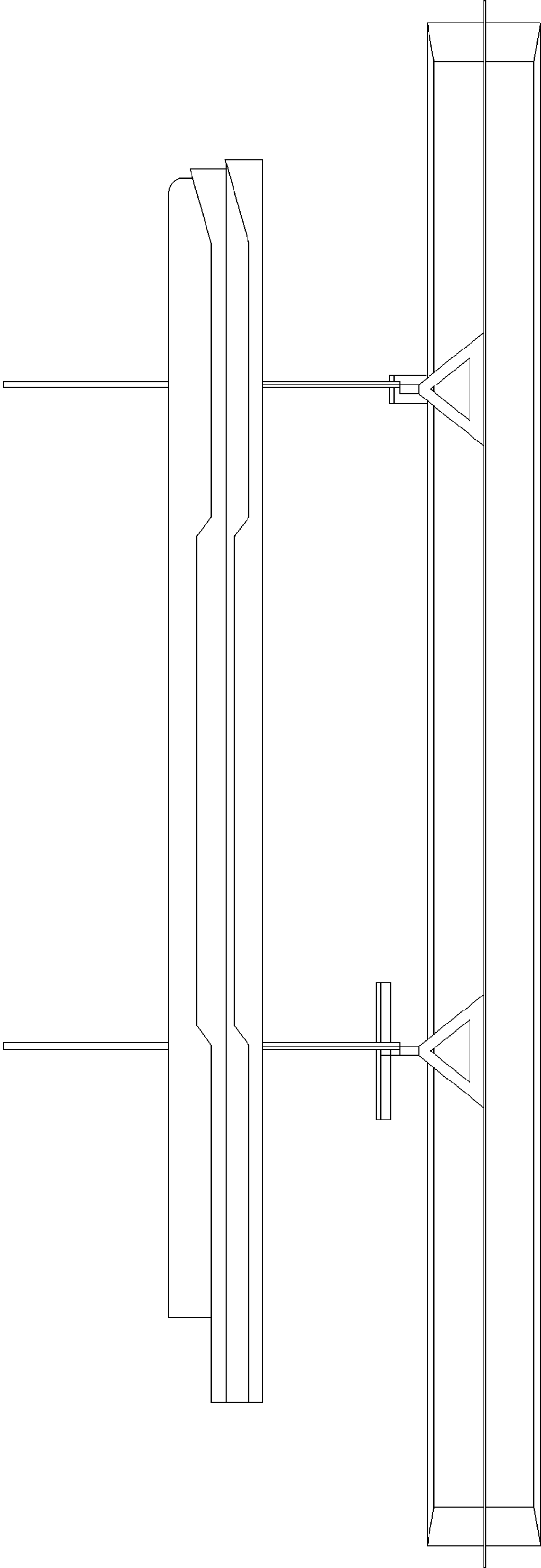


Fig. 4



Fig. 5

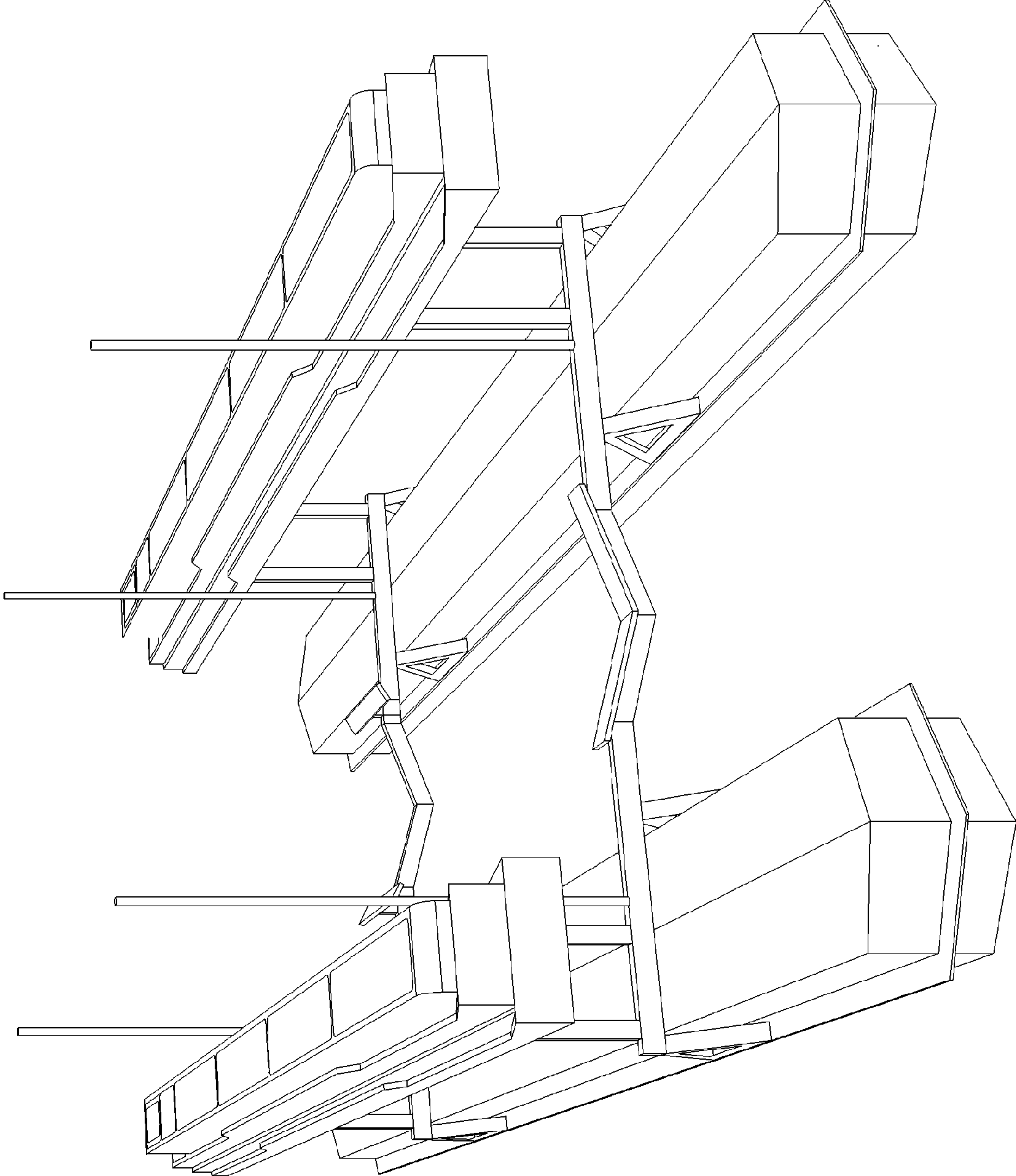


Fig. 6

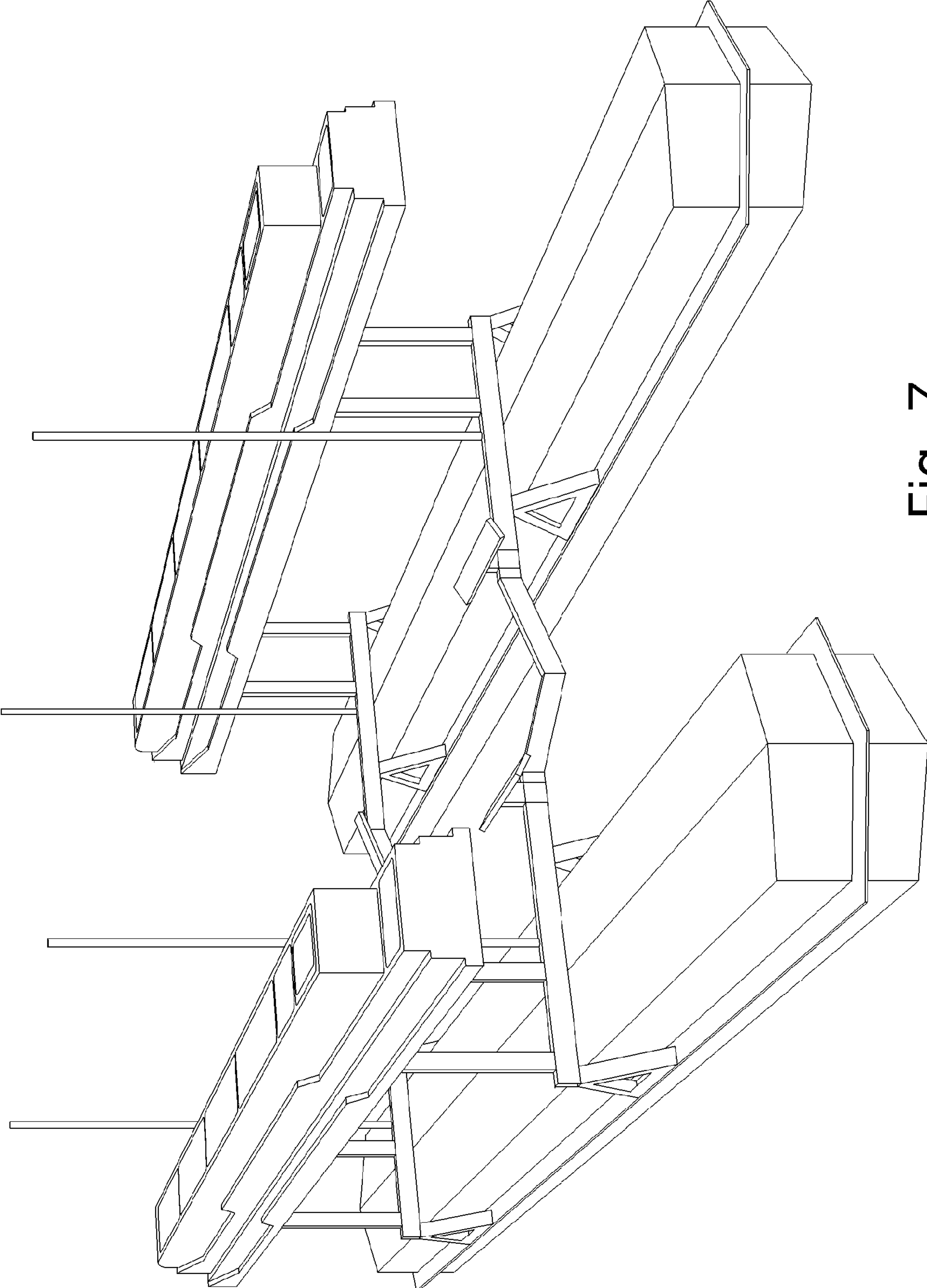


Fig. 7



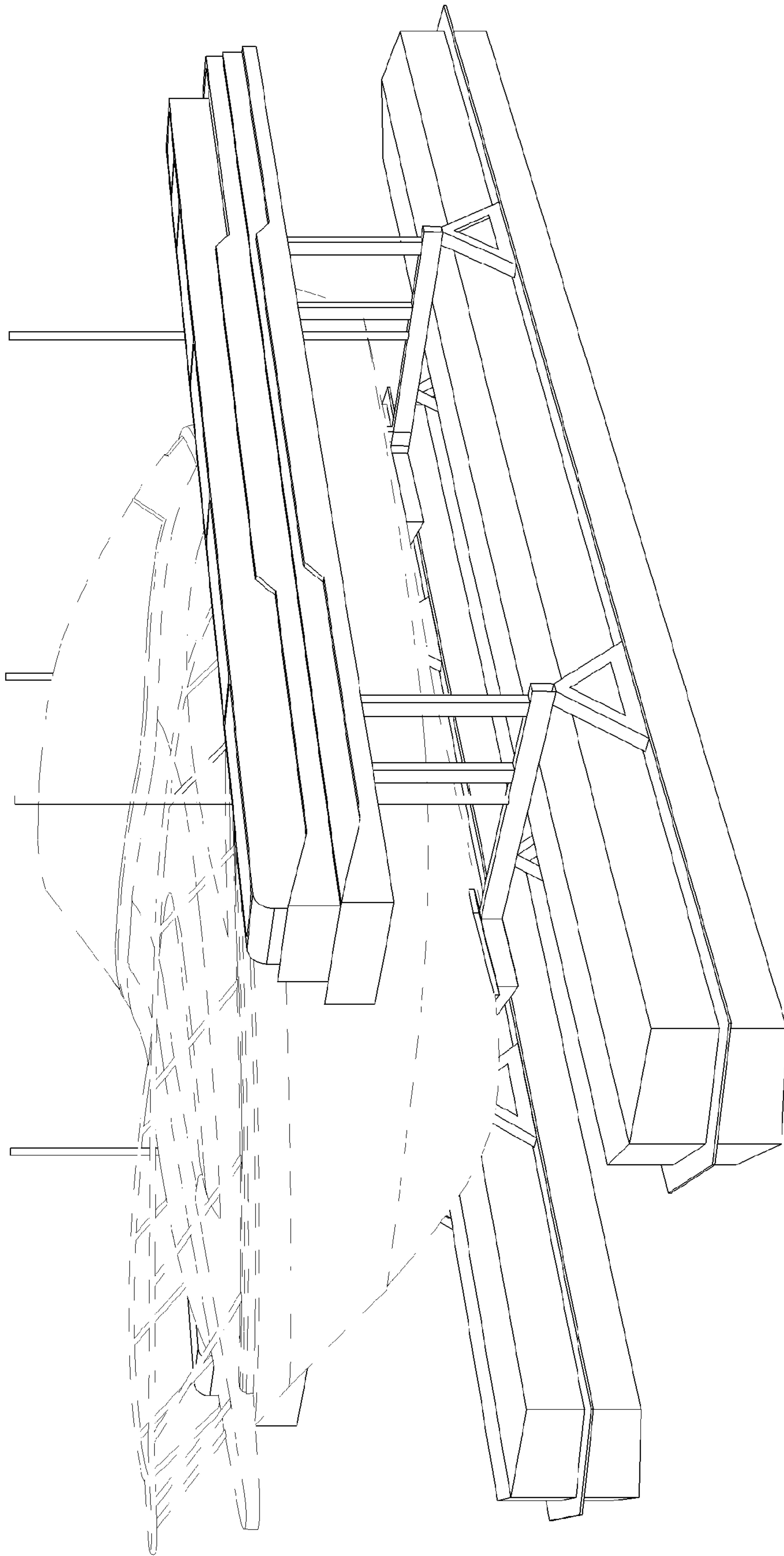


Fig. 8