



US00D619324S

(12) **United States Design Patent**
DiGiovanni et al.

(10) **Patent No.:** **US D619,324 S**
(45) **Date of Patent:** **** Jul. 6, 2010**

(54) **PERSONAL MOBILITY VEHICLE LIFT**

(75) Inventors: **Anthony P. DiGiovanni**, Bradenton, FL
(US); **Jeffery R. Moone**, Sarasota, FL
(US)

(73) Assignee: **Hoveround Corporation**, Sarasota, FL
(US)

(**) Term: **14 Years**

(21) Appl. No.: **29/314,854**

(22) Filed: **May 5, 2009**

(51) **LOC (9) Cl.** **12-05**

(52) **U.S. Cl.** **D34/28**

(58) **Field of Classification Search** D34/28,
D34/33, 32; D12/406, 408; 414/462, 537,
414/539, 540, 541, 678, 921; 187/200, 18,
187/8.43; 254/9 C, 9 B, 122, 2 B, 90
See application file for complete search history.

(56) **References Cited**

U.S. PATENT DOCUMENTS

4,775,282	A *	10/1988	Van Vliet	414/462
5,816,763	A *	10/1998	Hamann et al.	414/462
D440,728	S *	4/2001	Schlangen	D34/28
D440,934	S *	4/2001	Cataldo	D12/408
D441,165	S *	4/2001	Savitski	D34/35
6,887,027	B2 *	5/2005	O'Leary et al.	414/462
D551,420	S *	9/2007	Ezra	D34/32
2003/0165376	A1 *	9/2003	Bruno et al.	414/462

2005/0079037	A1 *	4/2005	Boyd	414/462
2005/0105995	A1 *	5/2005	Freet et al.	414/541
2005/0254925	A1 *	11/2005	Braquet	414/462
2008/0069675	A1 *	3/2008	Scism	414/462
2008/0317569	A1 *	12/2008	Baer	414/462
2009/0309331	A1 *	12/2009	Ryan	280/462
2010/0028115	A1 *	2/2010	Ablabutyan et al.	414/539

* cited by examiner

Primary Examiner—Cynthia E Ramirez

(74) *Attorney, Agent, or Firm*—Arthur W. Fisher, III

(57) **CLAIM**

We claim the ornamental design for a personal mobility vehicle lift, as shown and described.

DESCRIPTION

FIG. 1 is a front right perspective view of a personal mobility vehicle lift showing our new design.

FIG. 2 is a right side elevation thereof;

FIG. 3 is a front elevation thereof;

FIG. 4 is a top plan view thereof;

FIG. 5 is a left front perspective view thereof;

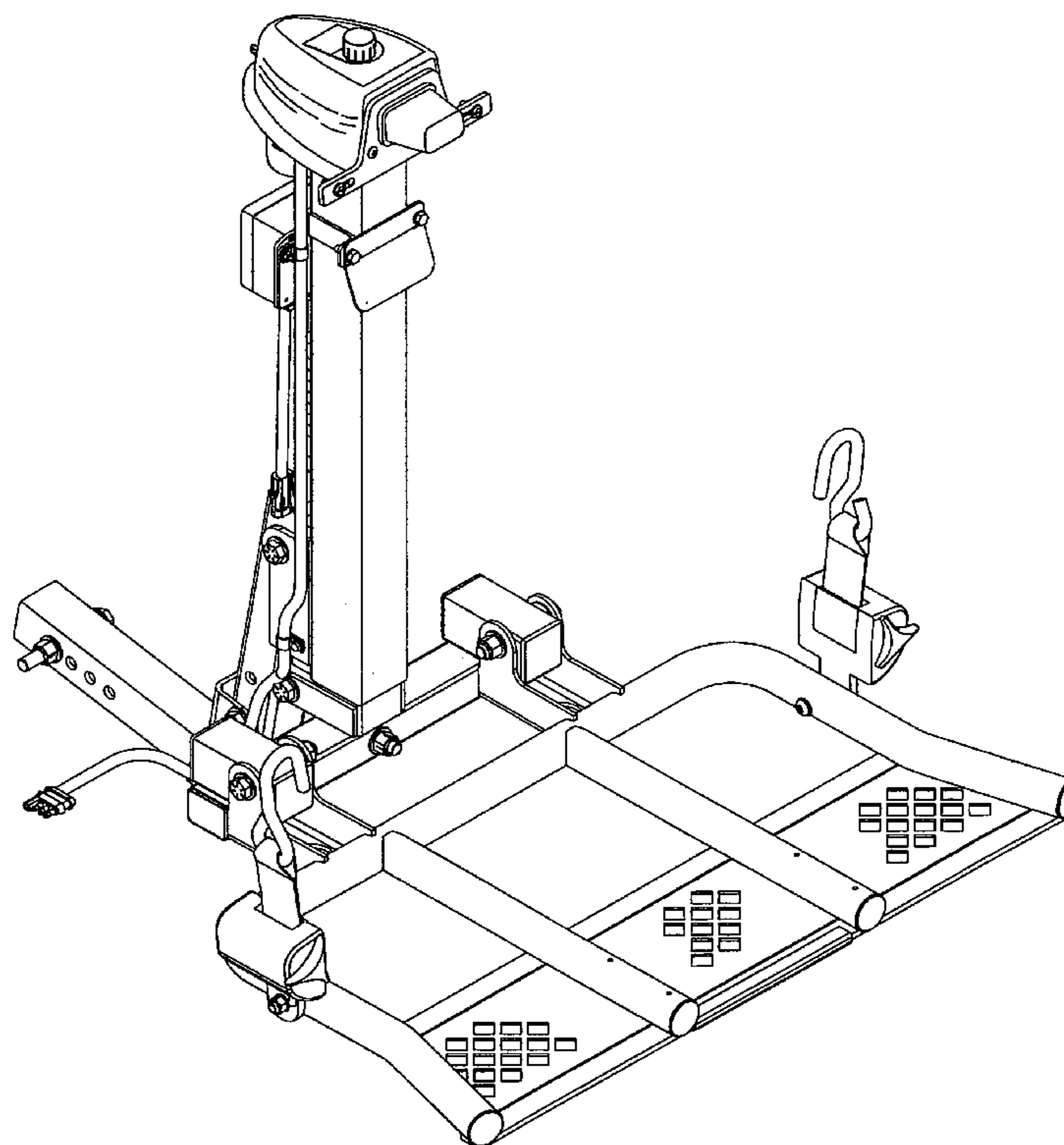
FIG. 6 is a rear elevation view thereof;

FIG. 7 is a right rear perspective view thereof;

FIG. 8 is a left rear perspective thereof; and,

FIG. 9 is a left side elevation thereof.

1 Claim, 9 Drawing Sheets



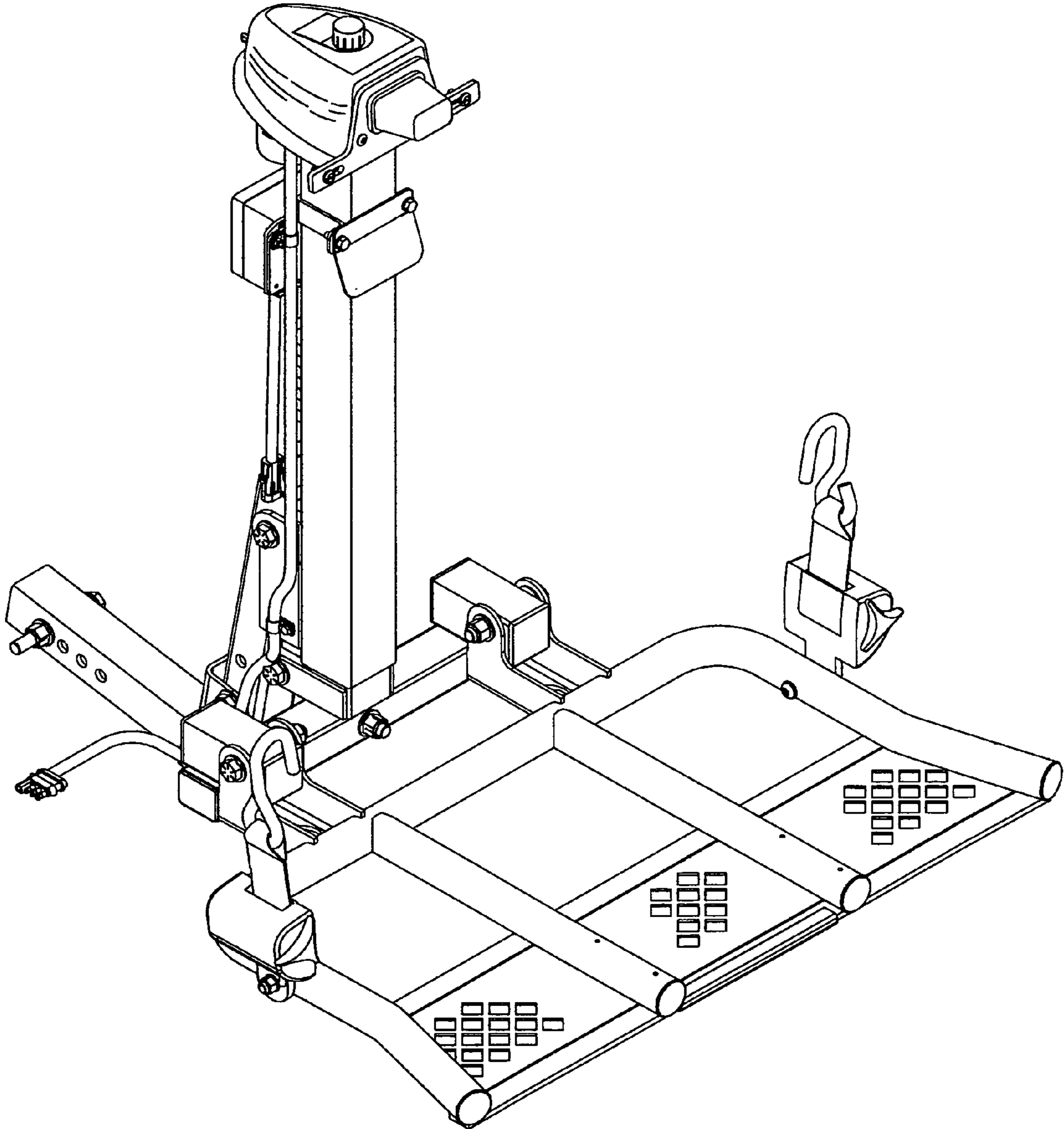


FIG. 1

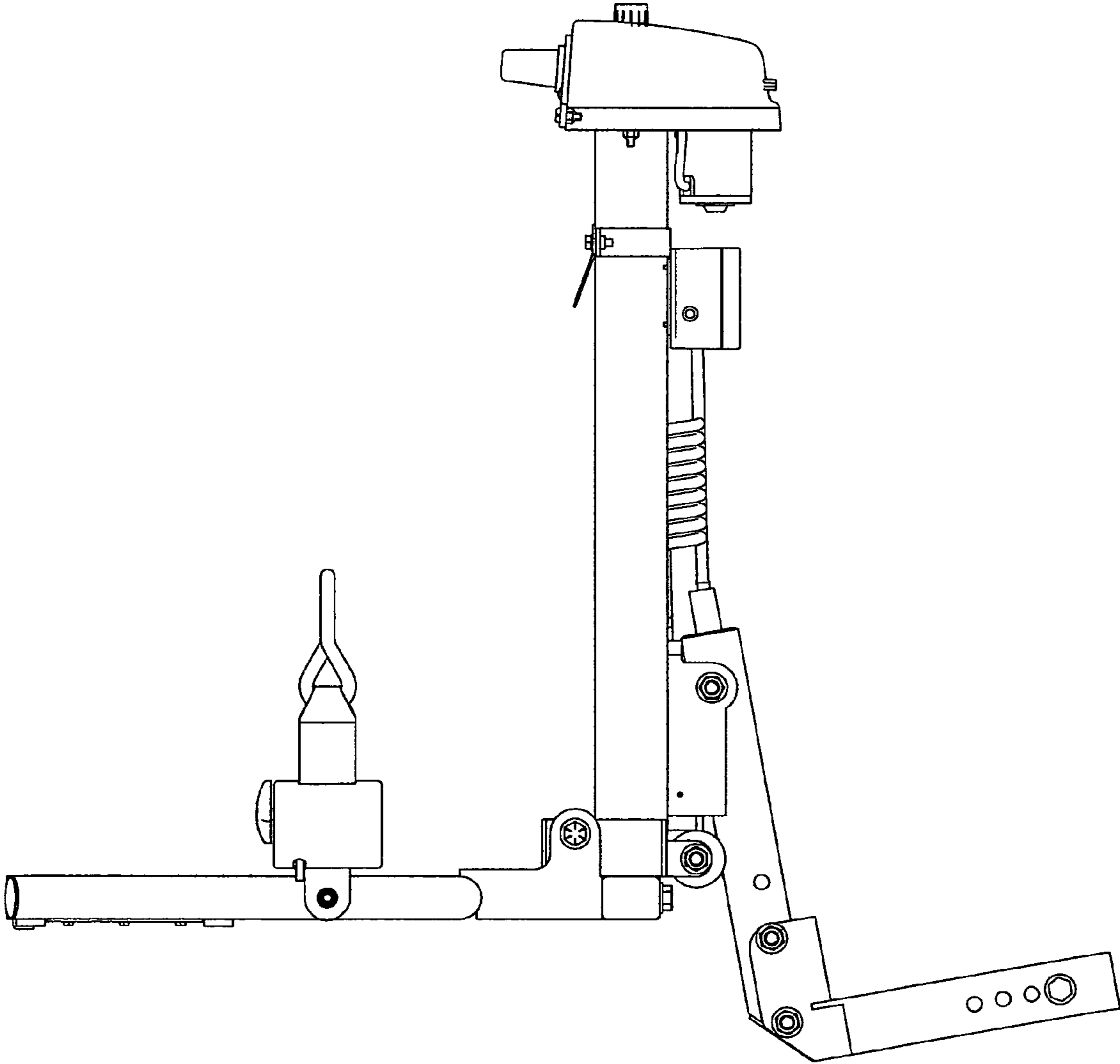


FIG. 2

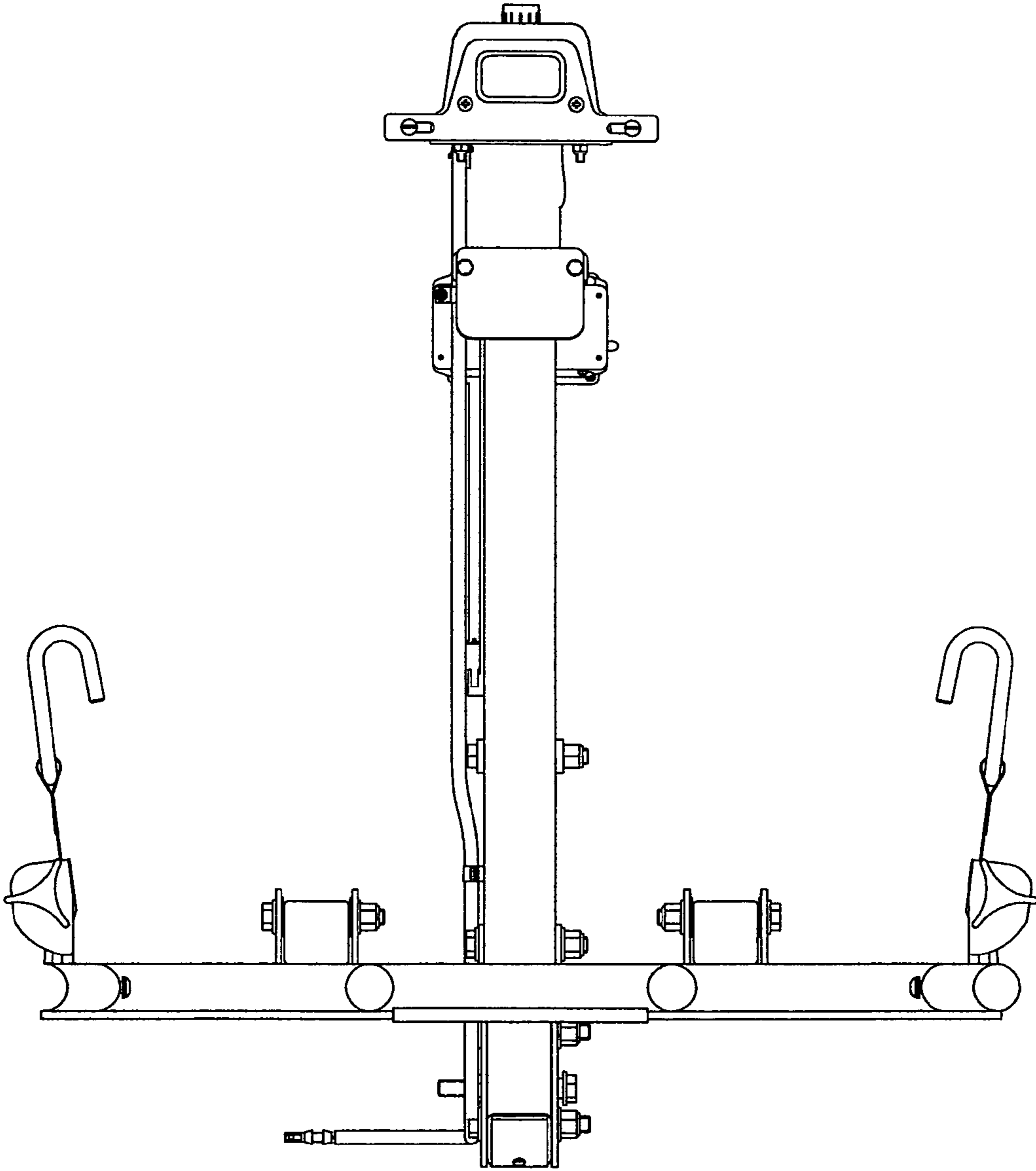


FIG. 3

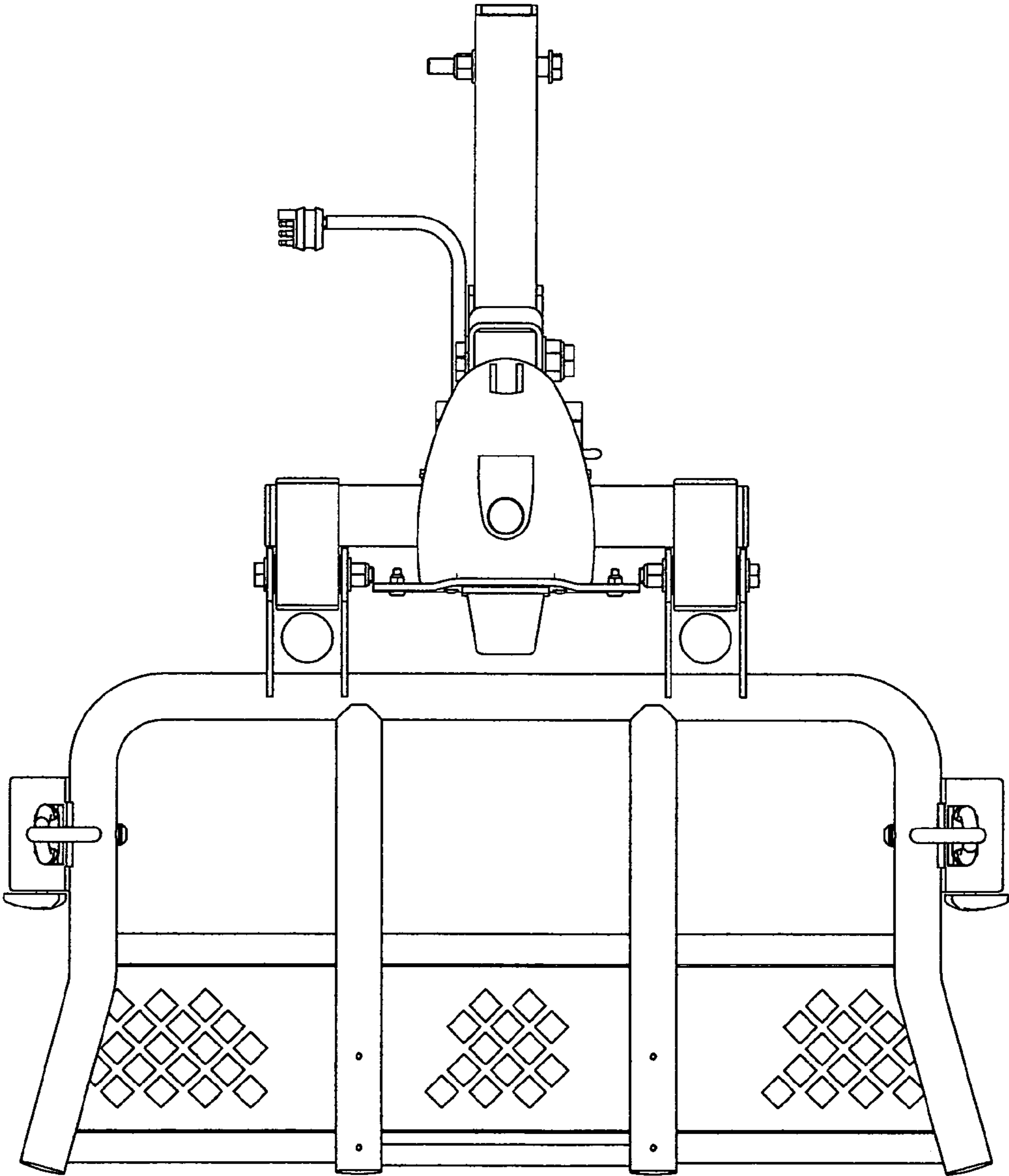


FIG. 4

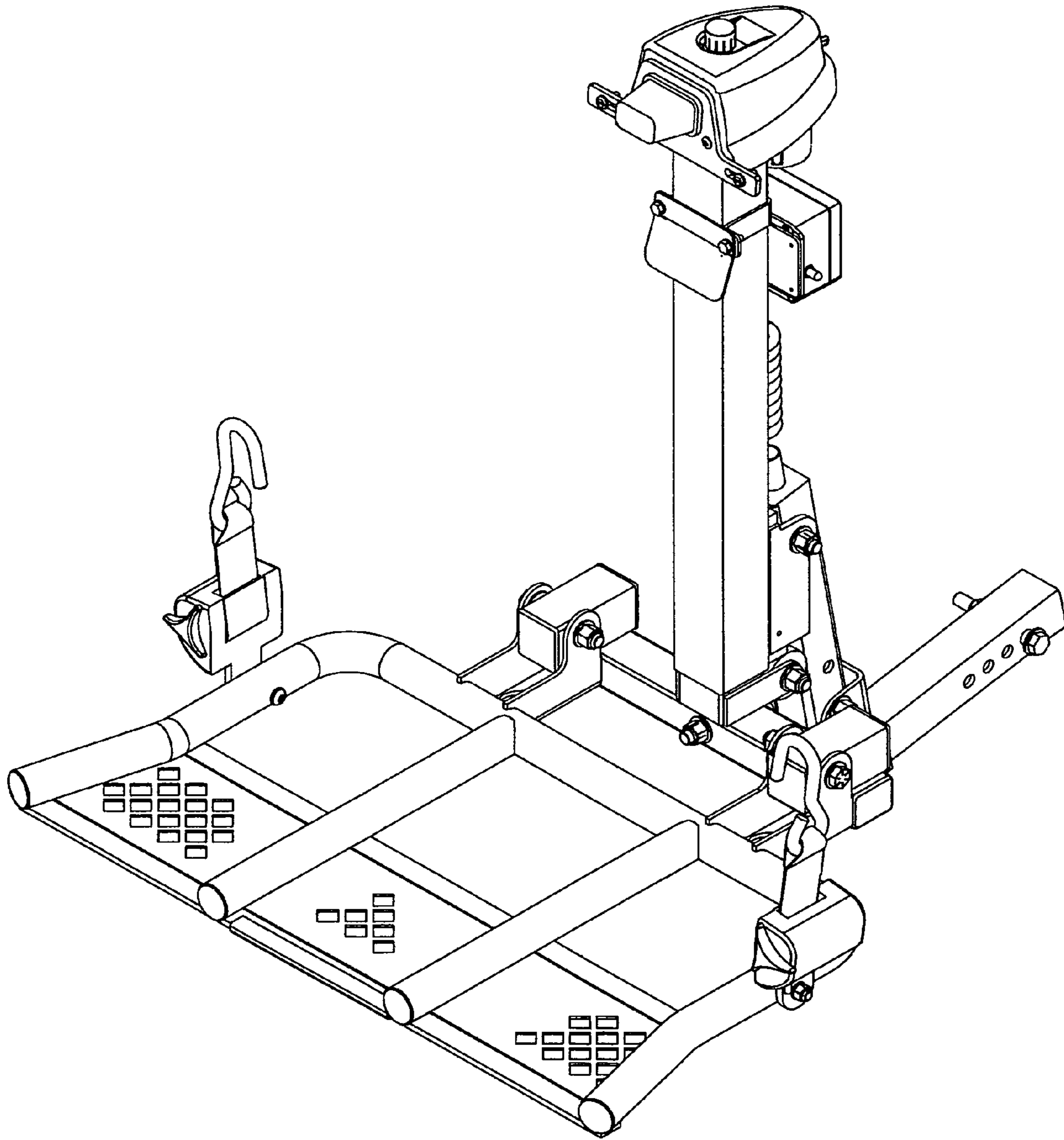


FIG. 5

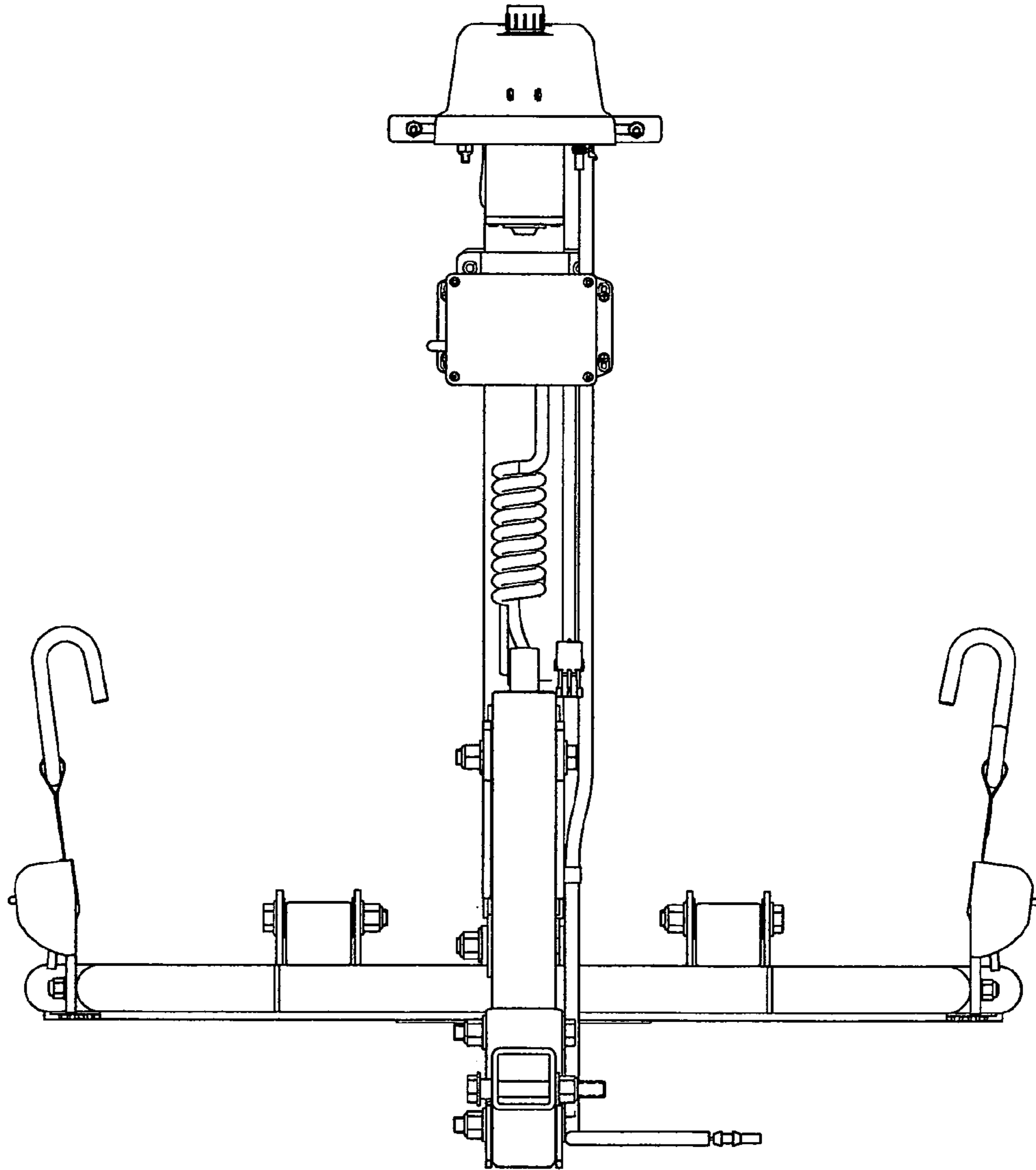


FIG. 6

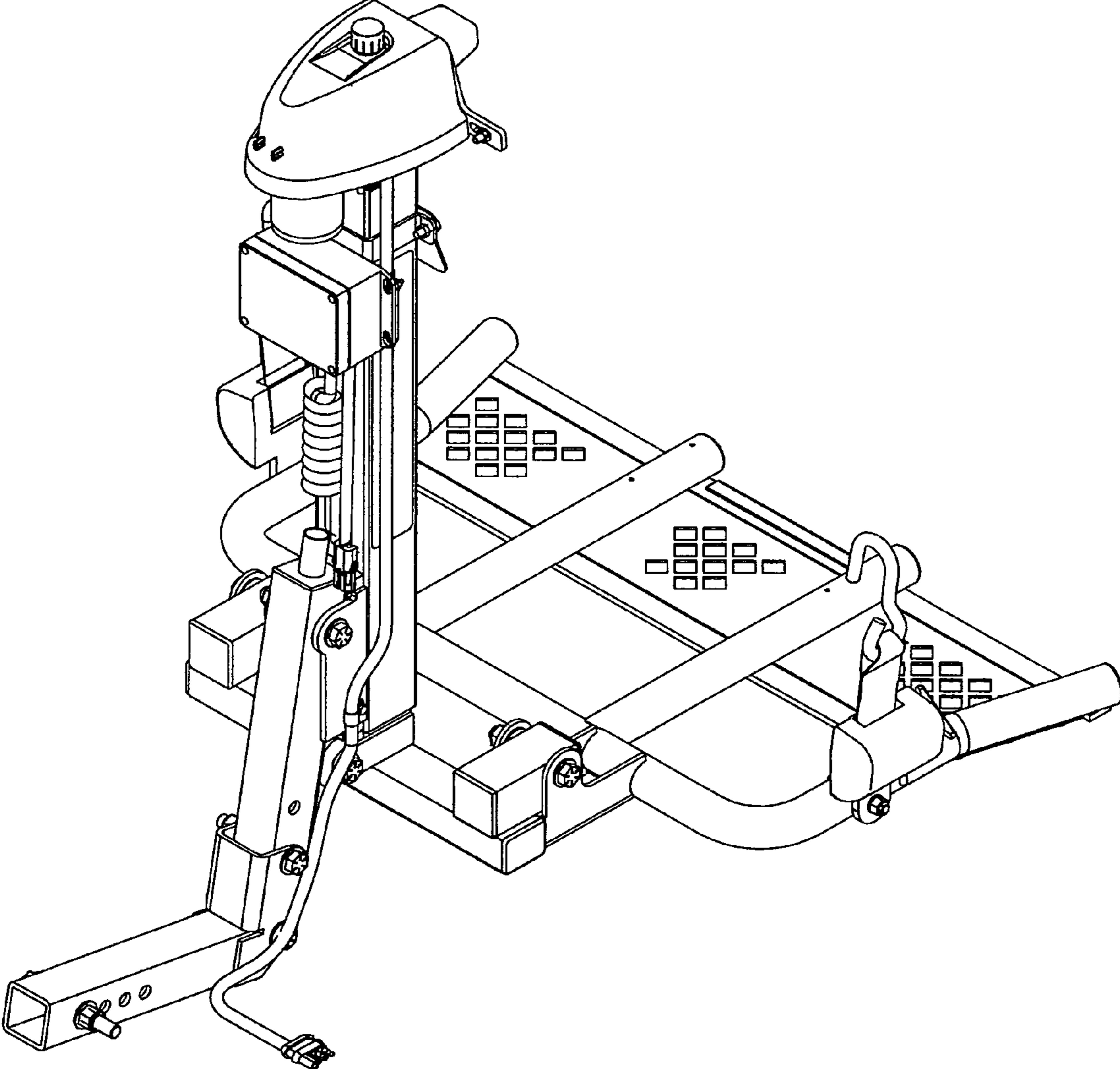


FIG. 7

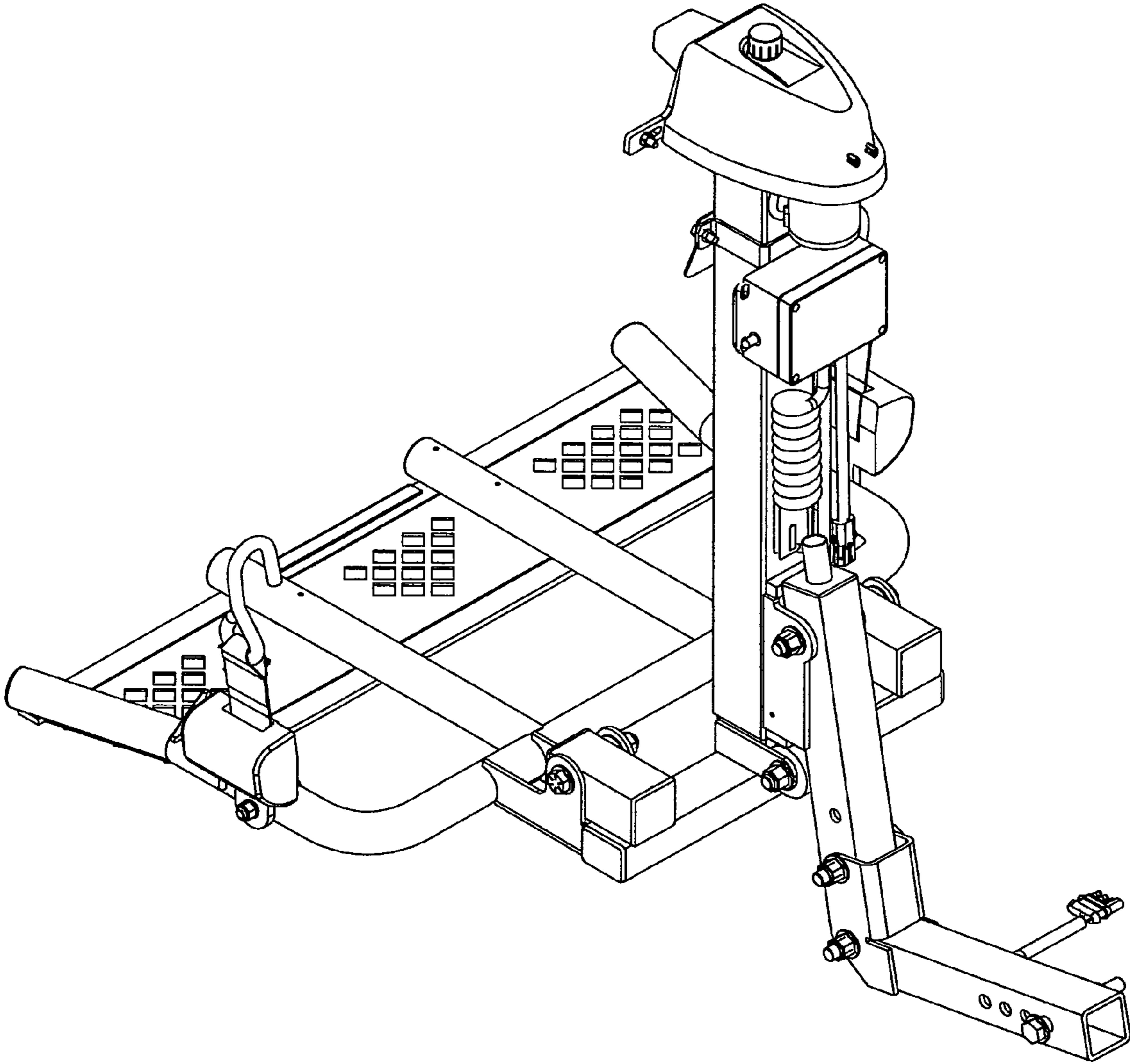


FIG. 8

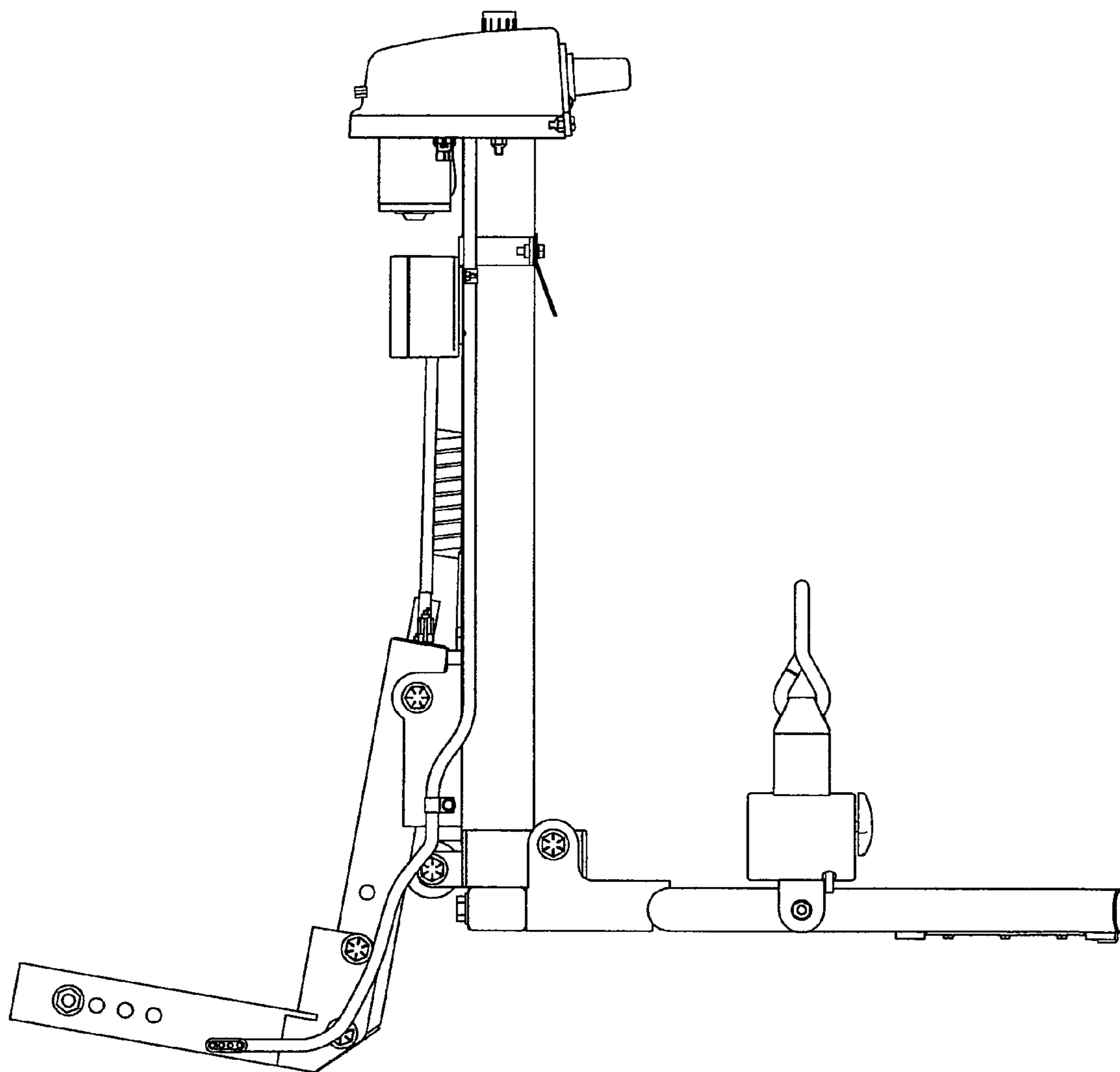


FIG. 9