



US00D619323S

(12) **United States Design Patent**
Beck

(10) **Patent No.:** **US D619,323 S**
(45) **Date of Patent:** **** Jul. 6, 2010**

(54) **HANDRAIL**

(75) Inventor: **Adam Beck**, Tividale (GB)

(73) Assignee: **Passenger Lift Services Limited**, West Midlands (GB)

(**) Term: **14 Years**

(21) Appl. No.: **29/314,418**

(22) Filed: **Mar. 27, 2009**

(30) **Foreign Application Priority Data**

Sep. 27, 2008 (EP) 01011969

(51) **LOC (9) Cl.** **09-09**

(52) **U.S. Cl.** **D34/25**

(58) **Field of Classification Search** D34/12-27;
280/33.991-33.995, 33.996

See application file for complete search history.

(56) **References Cited**

U.S. PATENT DOCUMENTS

D26,570 S * 1/1897 Hofer D34/12
D163,280 S * 5/1951 Harrison D34/16
D190,279 S * 5/1961 Hummer D34/22
4,084,832 A * 4/1978 Upshaw 280/33.997

D265,518 S * 7/1982 Berlin D34/17
D384,467 S * 9/1997 Stallbaumer D34/27
D393,127 S * 3/1998 Vidmar D34/12
D465,632 S * 11/2002 Koppes et al. D34/17
D493,932 S * 8/2004 Prather et al. D34/21
D502,793 S * 3/2005 Porter D34/12
D515,766 S * 2/2006 Dunbar D34/12
7,198,279 B2 * 4/2007 Montalvo 280/33.992
7,293,784 B2 * 11/2007 Liu 280/35

* cited by examiner

Primary Examiner—Cynthia E Ramirez

(74) *Attorney, Agent, or Firm*—Wegman, Hessler & Vanderburg

(57) **CLAIM**

The ornamental design for a handrail, as shown and described.

DESCRIPTION

FIG. 1 is rear perspective view;

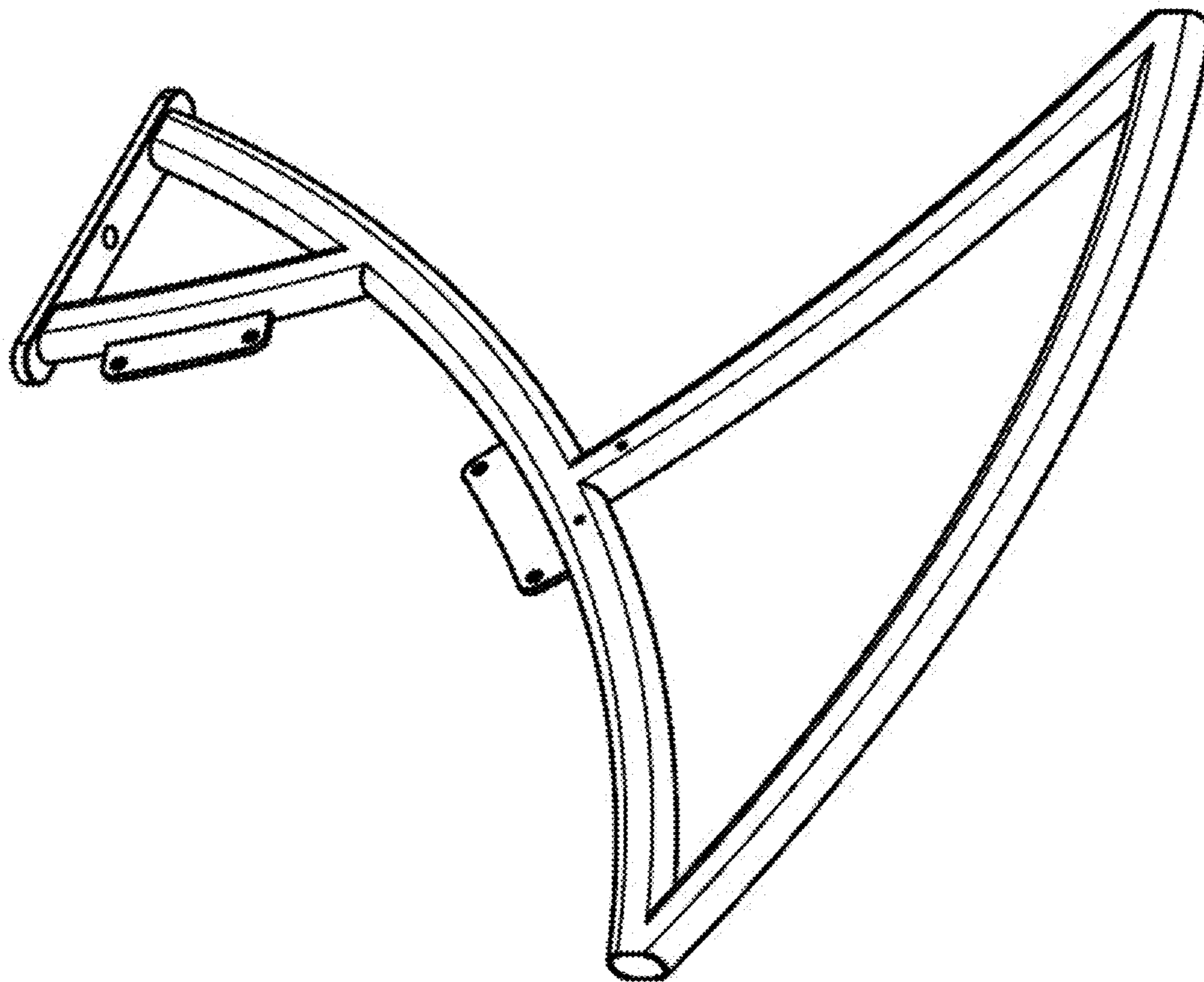
FIG. 2 is a bottom view;

FIG. 3 is a side view;

FIG. 4 is a rear view; and,

FIG. 5 is a front perspective view.

1 Claim, 5 Drawing Sheets



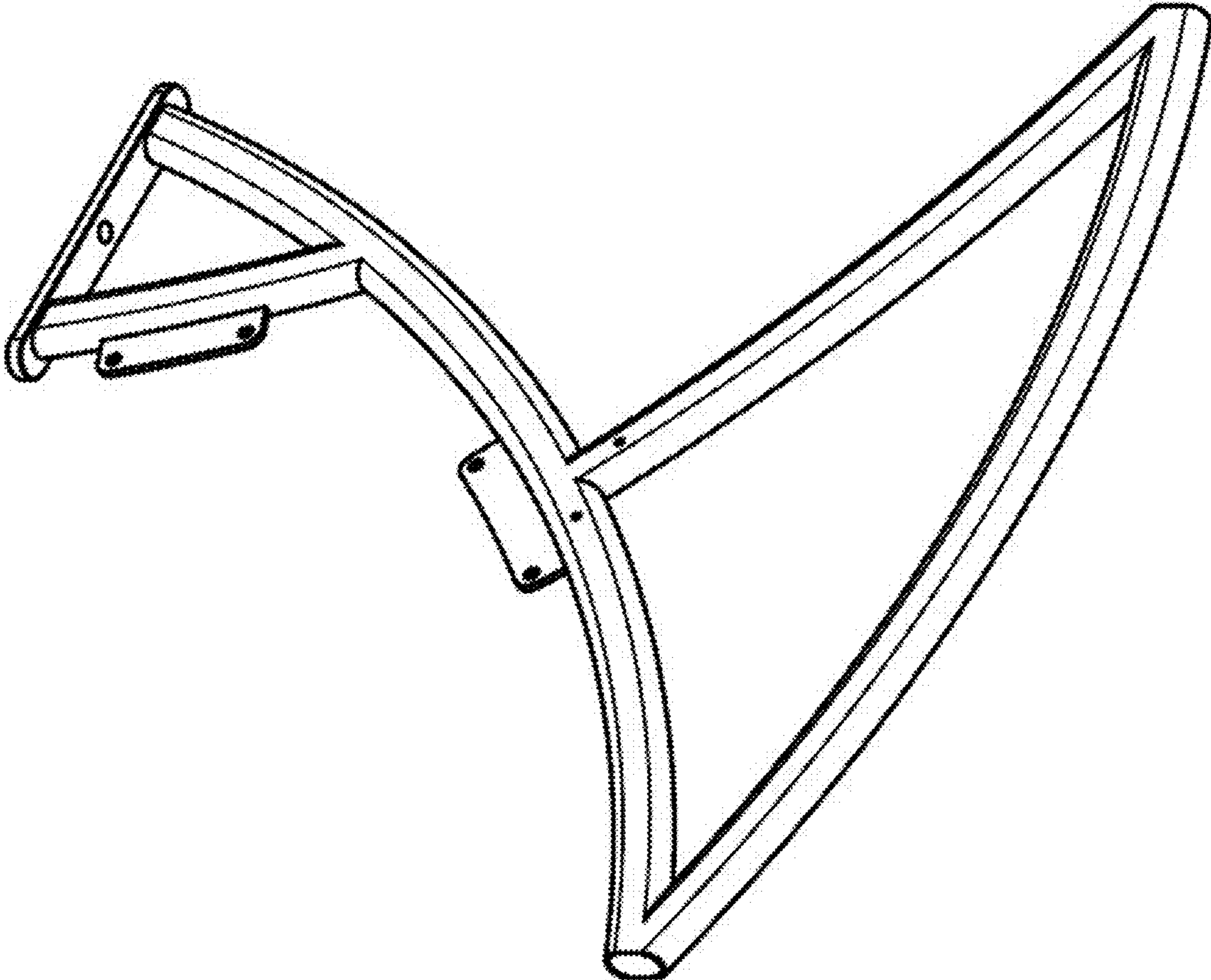


Figure 1

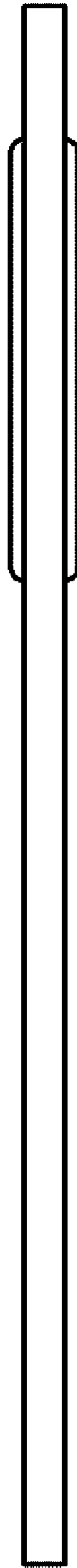


Figure 2

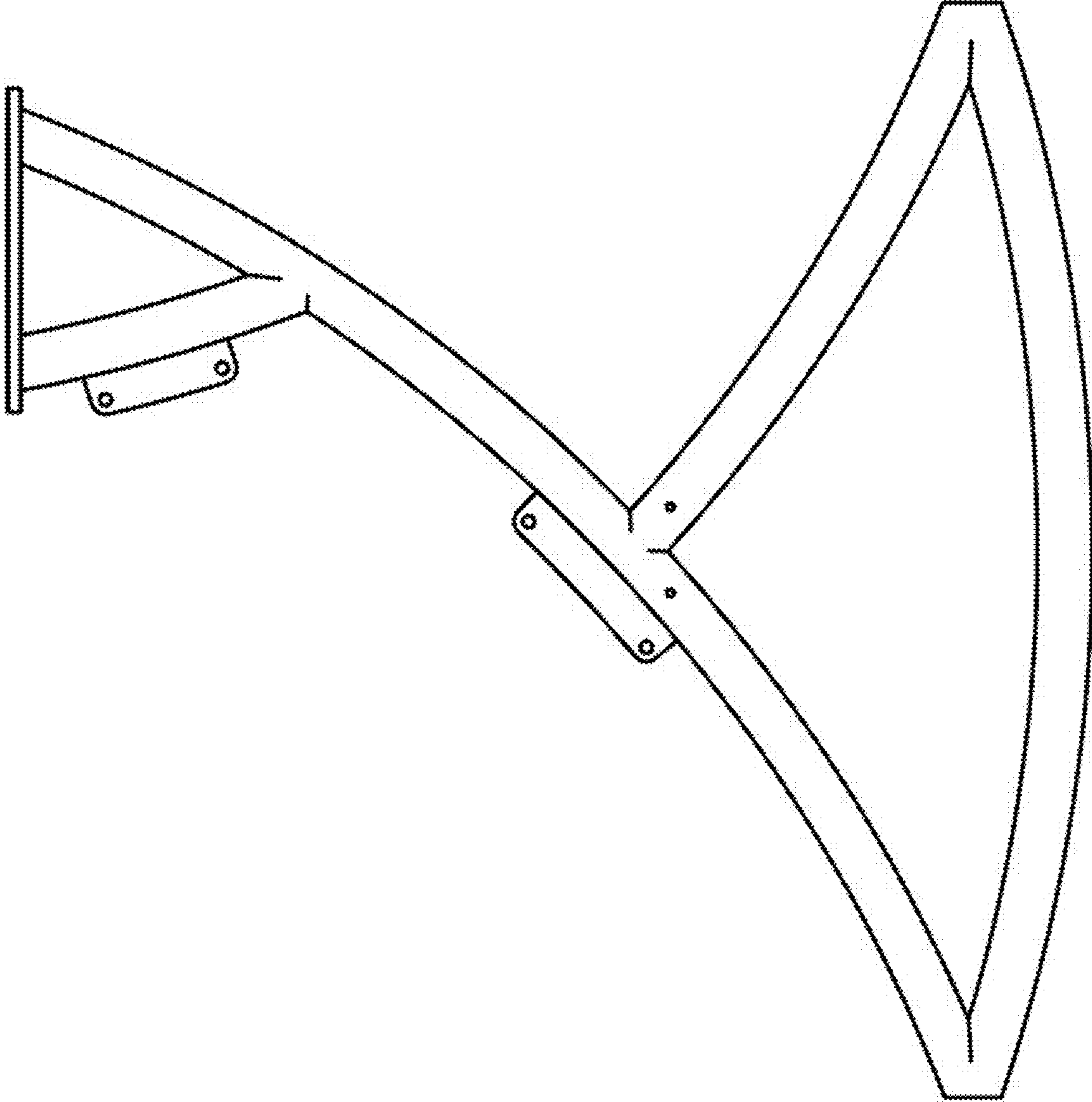


Figure 3



Figure 4

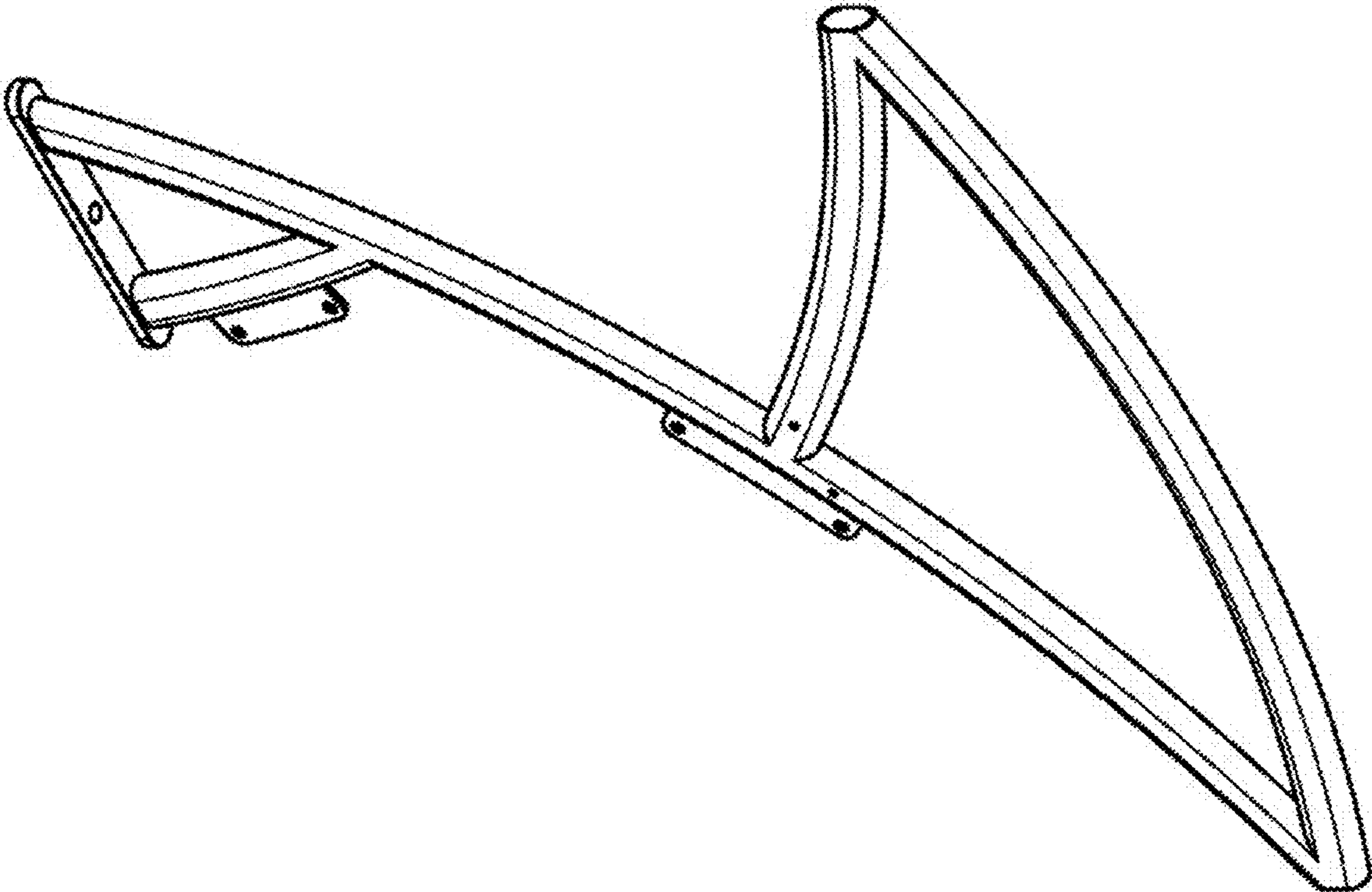


Figure 5