



US00D619321S

(12) **United States Design Patent**  
**Freire et al.**

(10) **Patent No.:** **US D619,321 S**  
(45) **Date of Patent:** **\*\* Jul. 6, 2010**

(54) **CONTAINER FOR WASTE MATERIALS**

D546,016 S \* 7/2007 Boll et al. .... D34/9  
D587,874 S \* 3/2009 Lin ..... D34/7  
D608,968 S \* 1/2010 Schwartz et al. .... D34/1  
D610,322 S \* 2/2010 Schwartz et al. .... D34/1

(75) Inventors: **Joao Freire**, Lisbon (PT); **Henrique Ralheta**, Lisbon (PT)

(73) Assignee: **MBE Sotkon,S.L.**, Lasarte-Oria (Gipuzkoa) (ES)

(\*\*) Term: **14 Years**

(21) Appl. No.: **29/343,348**

(22) Filed: **Sep. 11, 2009**

(30) **Foreign Application Priority Data**

Mar. 11, 2009 (EM) ..... 001103592-0002

(51) **LOC (9) Cl.** ..... **09-09**

(52) **U.S. Cl.** ..... **D34/8**

(58) **Field of Classification Search** ..... D34/1-11;  
220/908-913

See application file for complete search history.

(56) **References Cited**

**U.S. PATENT DOCUMENTS**

5,147,055 A \* 9/1992 Samson et al. .... 220/259.2  
5,147,056 A \* 9/1992 Ma ..... 220/263  
D441,933 S \* 5/2001 Savage et al. .... D34/1  
D540,502 S \* 4/2007 Rowan ..... D34/8  
D545,521 S \* 6/2007 Titas et al. .... D34/7

\* cited by examiner

*Primary Examiner*—Cynthia E Ramirez

(74) *Attorney, Agent, or Firm*—Pearl Cohen Zedek Latzer, LLP

(57) **CLAIM**

The ornamental design for a container for waste materials, as shown and described.

**DESCRIPTION**

FIG. 1 is a front, left side, top perspective view of the container for waste materials in a closed configuration;

FIG. 2 is a front elevational view thereof;

FIG. 3 is a back elevational view thereof;

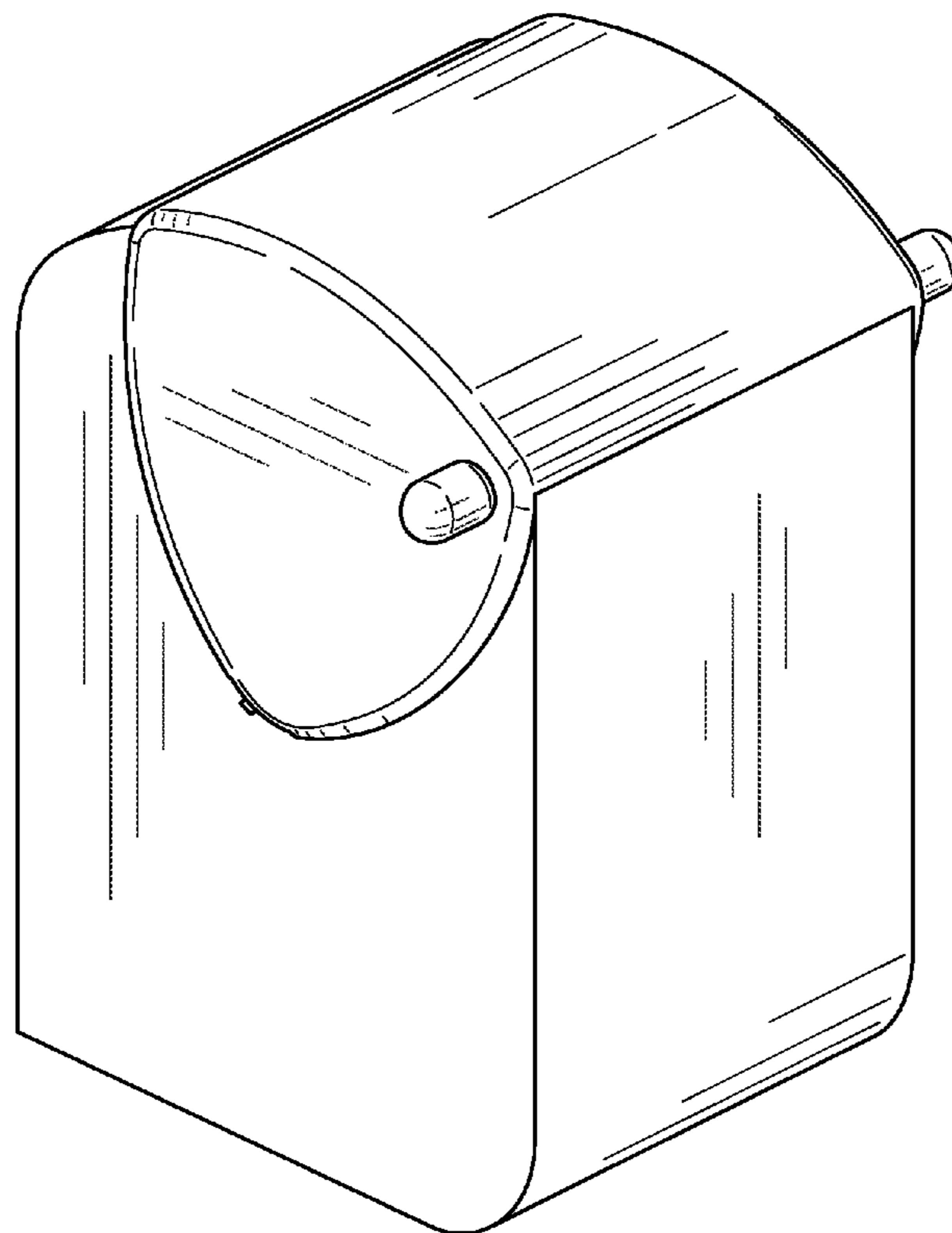
FIG. 4 is a left side elevational view thereof, the right side view being identical thereto;

FIG. 5 is a top plan view thereof;

FIG. 6 is a bottom plan view thereof; and,

FIG. 7 is a front, left side, top perspective of the container for waste materials in an open configuration.

**1 Claim, 4 Drawing Sheets**



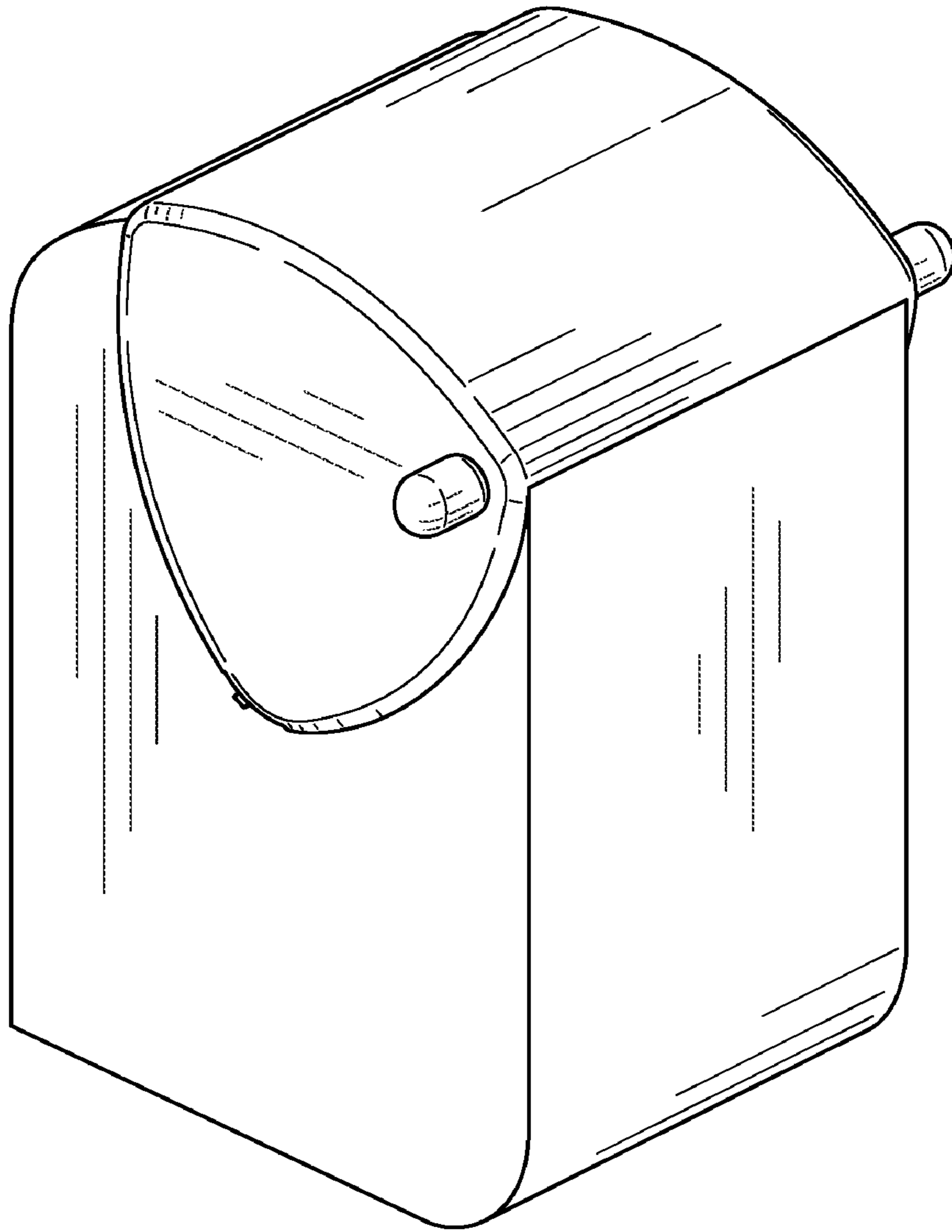


FIG. 1

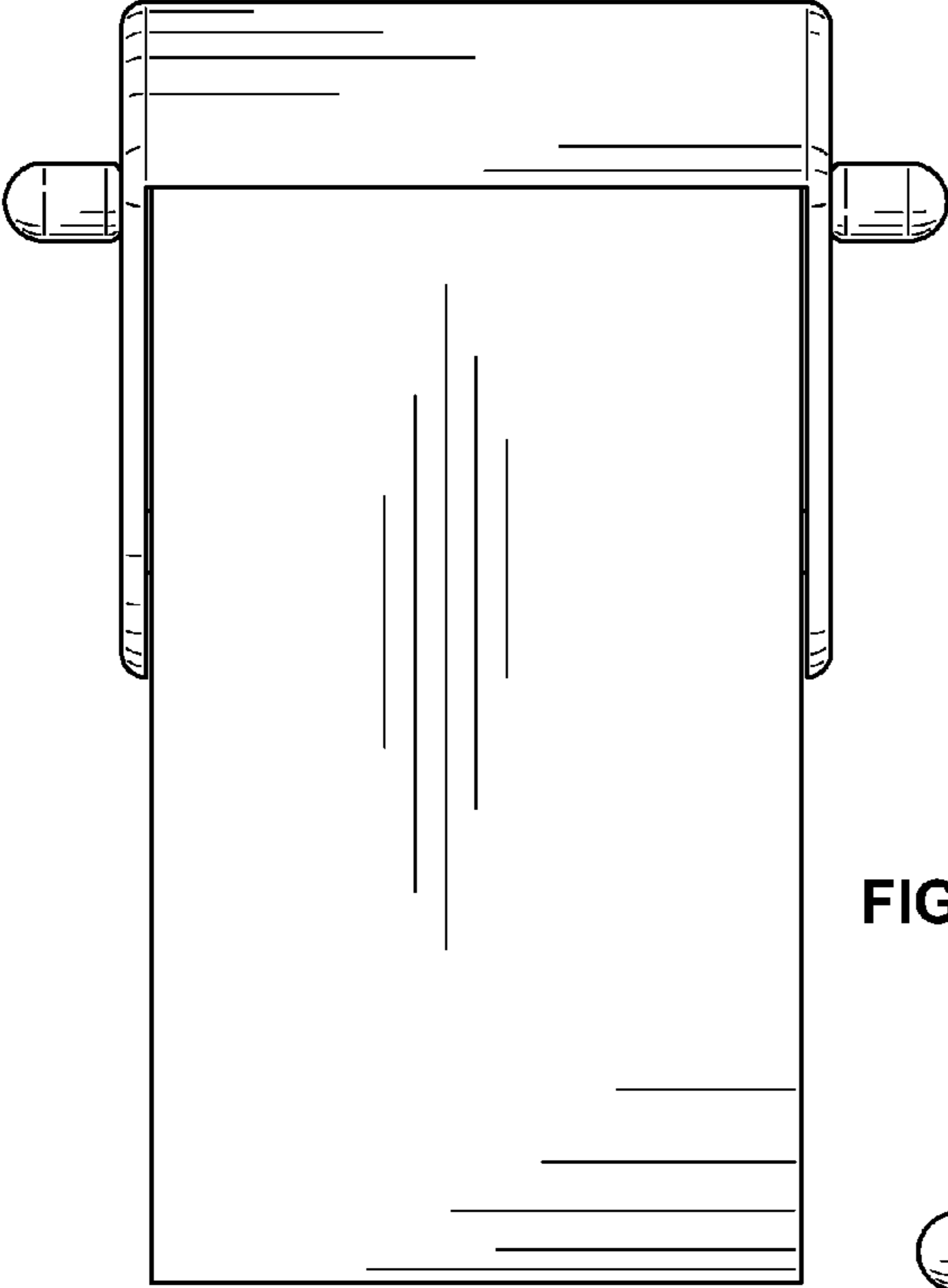


FIG. 2

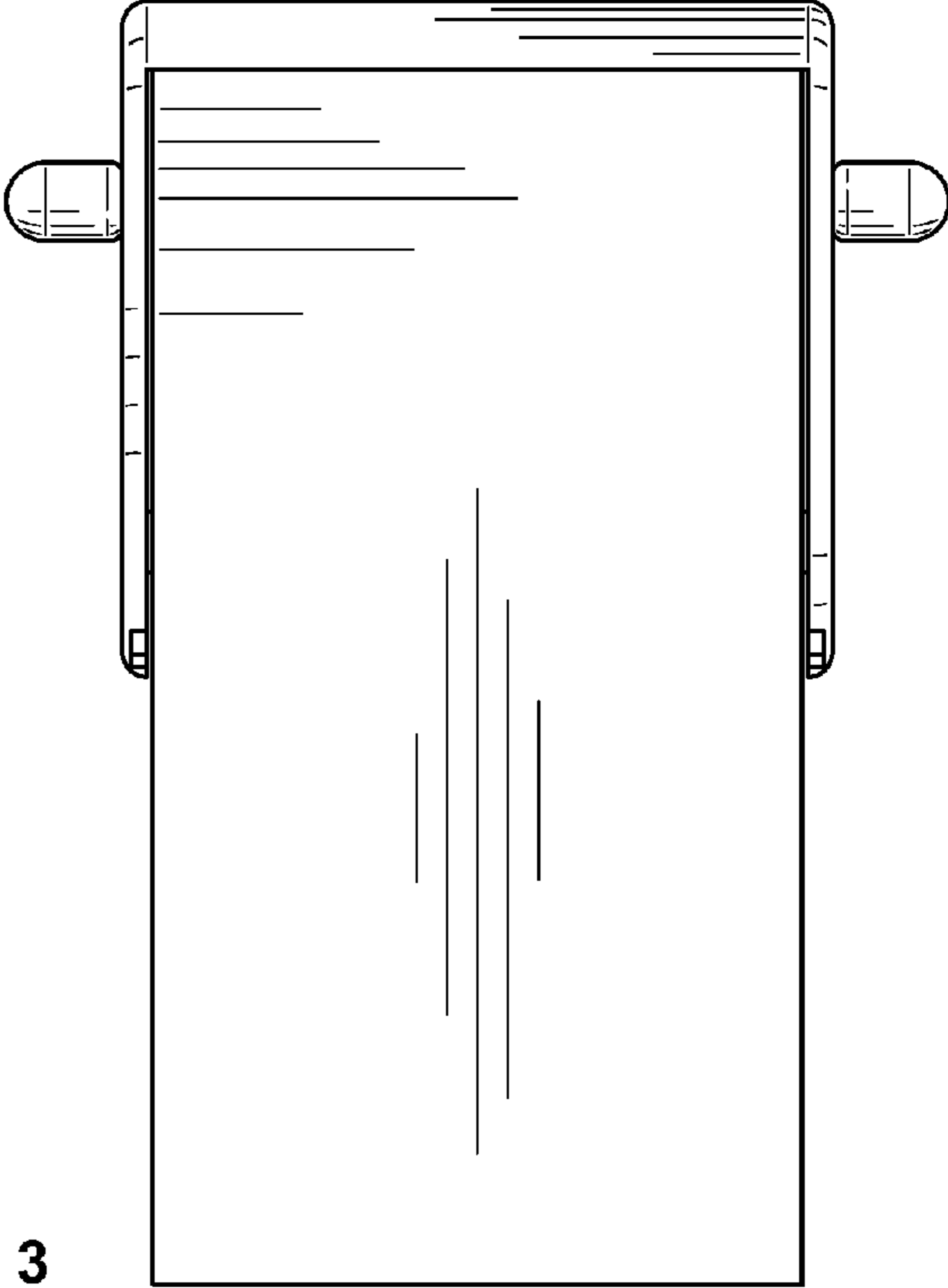


FIG. 3

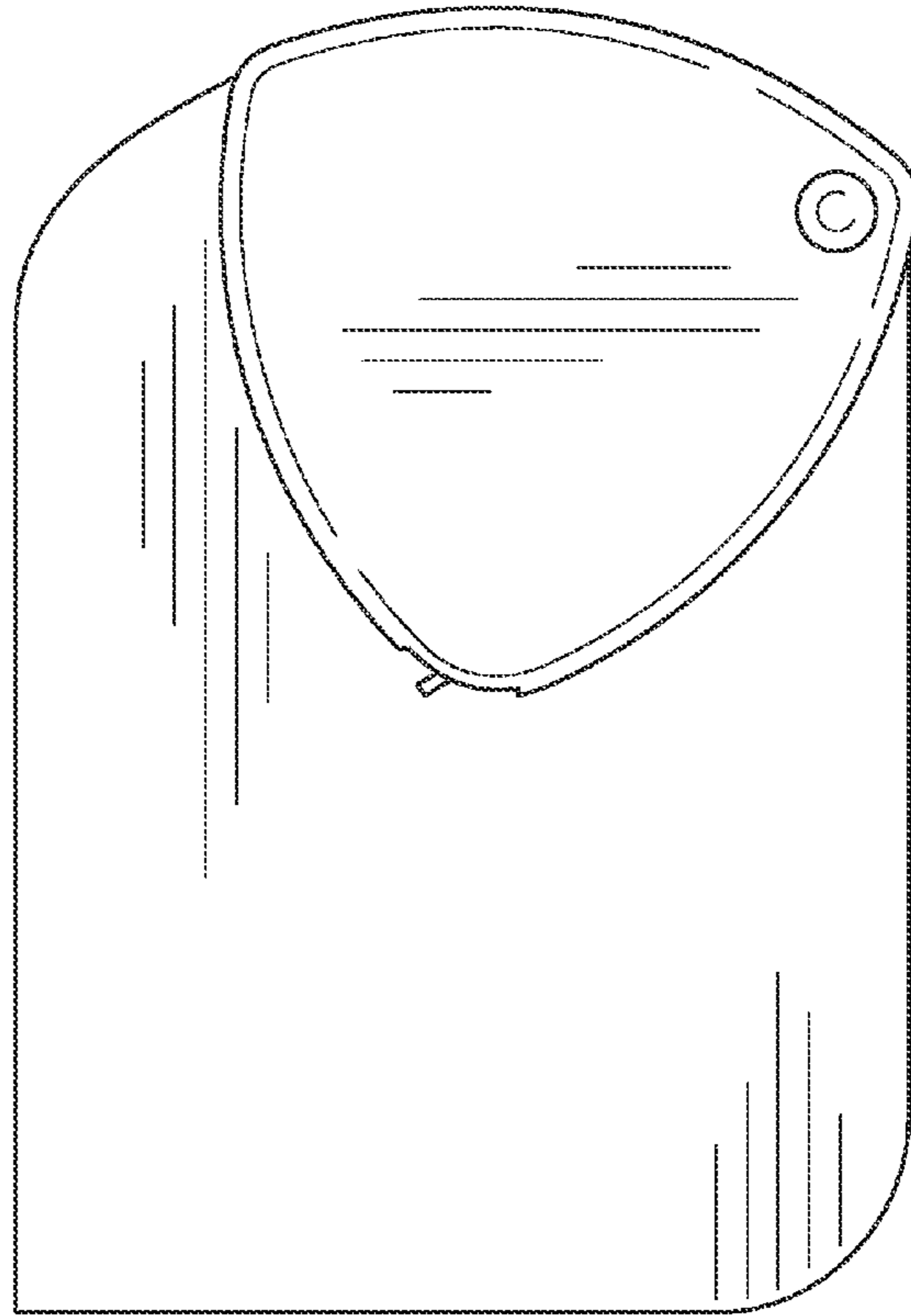


FIG. 4

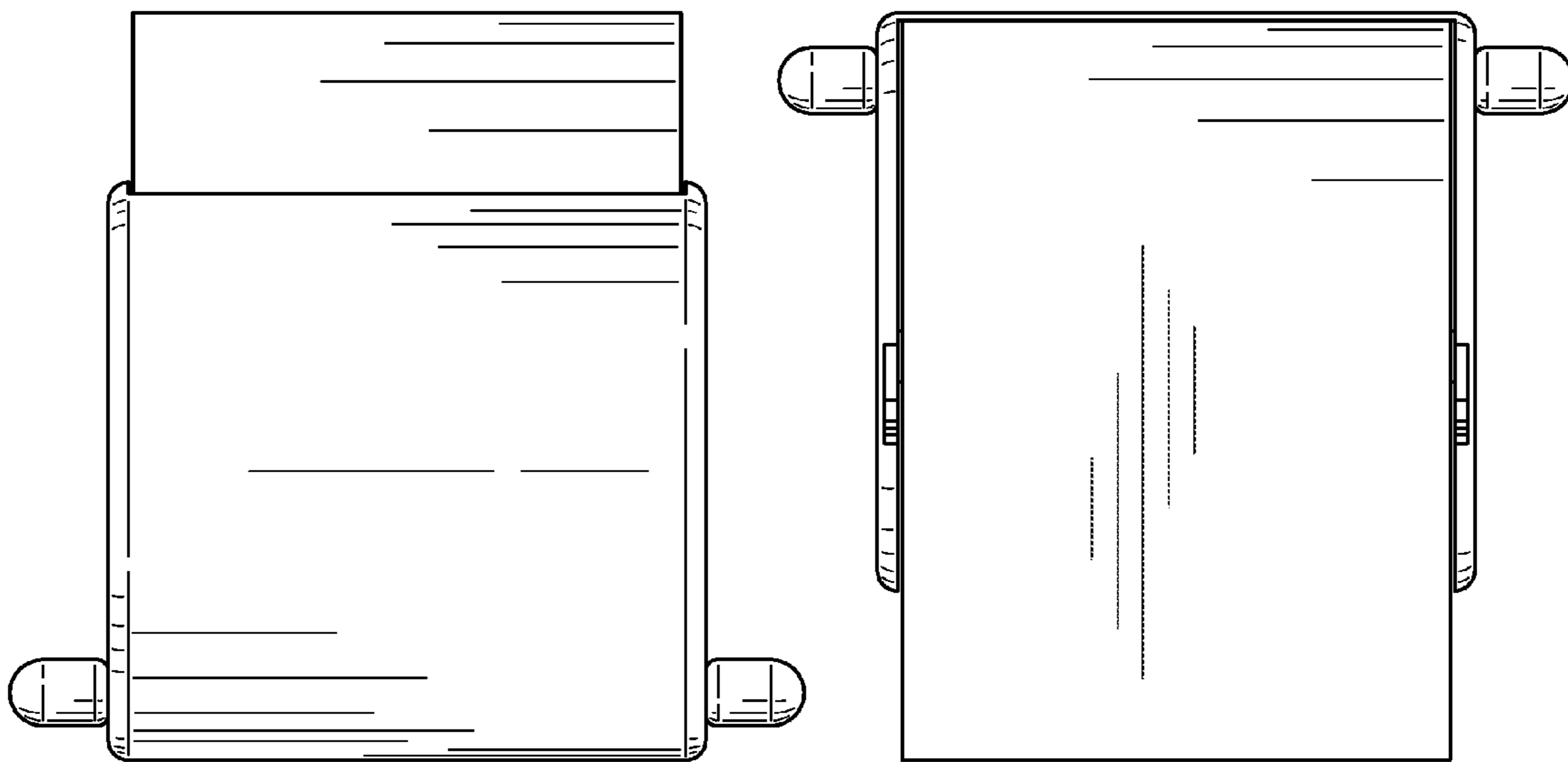


FIG. 5

FIG. 6

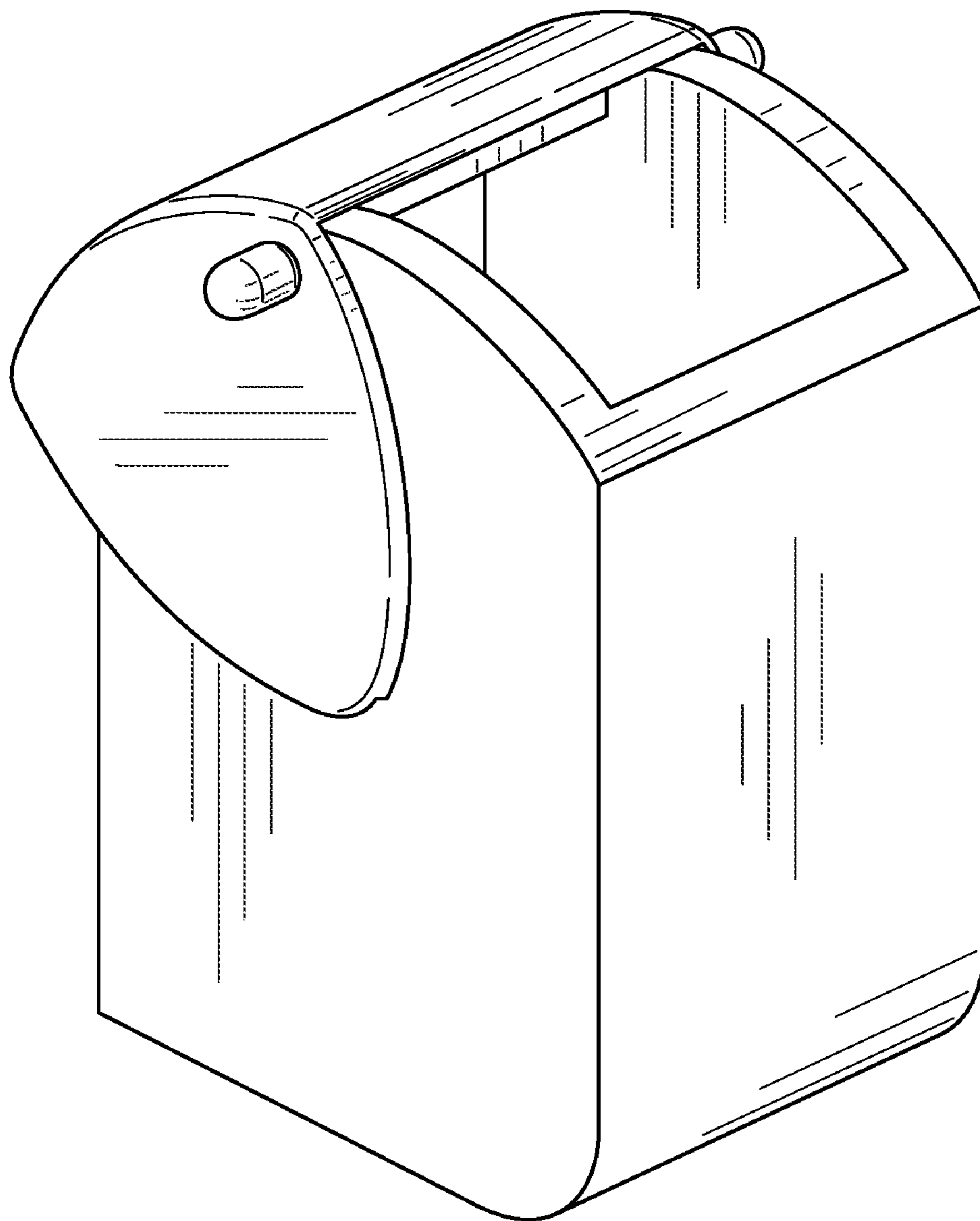


FIG. 7