



US00D619318S

(12) **United States Design Patent**
Miller et al.

(10) **Patent No.:** **US D619,318 S**
(45) **Date of Patent:** **** Jul. 6, 2010**

(54) **MOP BUCKET**

D527,506 S * 8/2006 Camp et al. D32/53
D536,851 S * 2/2007 Lauer D32/53
D550,418 S * 9/2007 Weaver et al. D32/53

(75) Inventors: **Jonathan Miller**, Williamsport, PA
(US); **Robert L. Crevling, Jr.**, Cogan
Station, PA (US); **Melvin E. Wolfe, Jr.**,
Johnson City, NY (US); **John Griffin**,
Phoenix, AZ (US); **David Martinez**,
Williamsport, PA (US)

* cited by examiner

Primary Examiner—Robin V Webster
(74) *Attorney, Agent, or Firm*—Katten Muchin Rosenman
LLP

(73) Assignee: **Shop-Vac**, Williamsport, PA (US)

(57) **CLAIM**

(**) Term: **14 Years**

The ornamental design for the mop bucket, as shown and
described.

(21) Appl. No.: **29/330,520**

(22) Filed: **Jan. 8, 2009**

DESCRIPTION

(51) **LOC (9) Cl.** **07-07**

FIG. 1 is a front perspective view of a first embodiment of a
mop bucket of the present invention;

(52) **U.S. Cl.** **D32/53**

FIG. 2 is a front elevational view of the present invention;

(58) **Field of Classification Search** D32/53,

FIG. 3 is a rear elevational view of the present invention;

D32/53.1, 54; 220/570, 495.01, 495.02,
220/904, 908; 15/260, 264, 257.06

FIG. 4 is a right side elevational view of the present invention;

See application file for complete search history.

FIG. 5 is a left side elevational view of the present invention;

(56) **References Cited**

FIG. 6 is a top plan view of the present invention;

U.S. PATENT DOCUMENTS

FIG. 7 is a bottom plan view of the present invention;

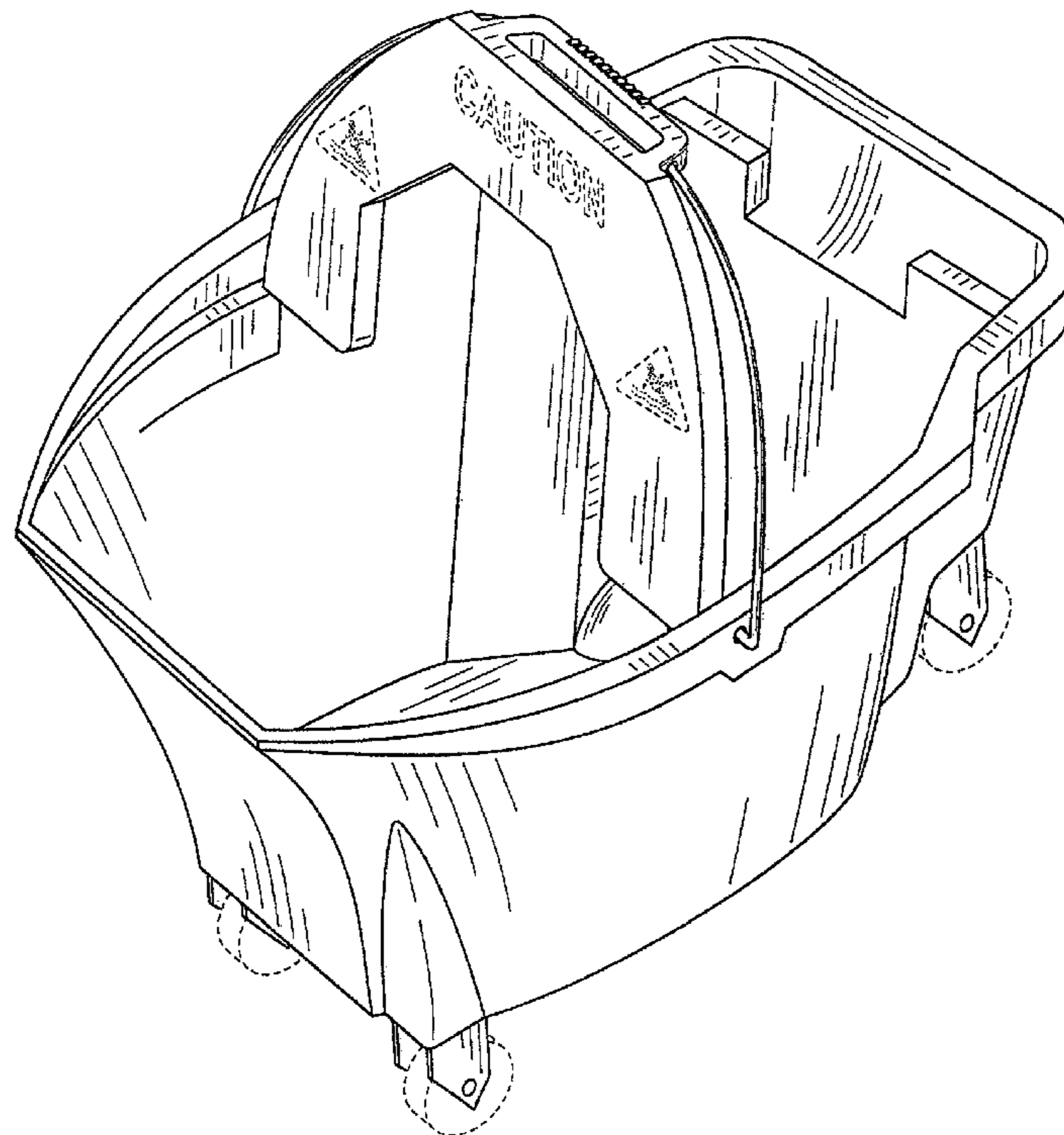
D286,096	S	*	10/1986	Jaros et al.	D32/53.1
4,716,619	A	*	1/1988	Young	15/262
D320,295	S	*	9/1991	Delmerico	D32/53
5,414,892	A	*	5/1995	Clark, Jr.	15/263
5,615,447	A	*	4/1997	Hardesty et al.	15/264
6,006,397	A	*	12/1999	Williams et al.	15/261
D429,396	S	*	8/2000	Houry et al.	D32/53
6,457,203	B1	*	10/2002	Williams et al.	15/261

FIG. 8 is a front perspective view of the present invention with
a handle in an up position; and,

FIG. 9 is a front perspective view of the present invention with
a warning sign in a deployed position.

The broken lines shown in all the views are for illustrative
purposes only and form no part of the claimed design.

1 Claim, 8 Drawing Sheets



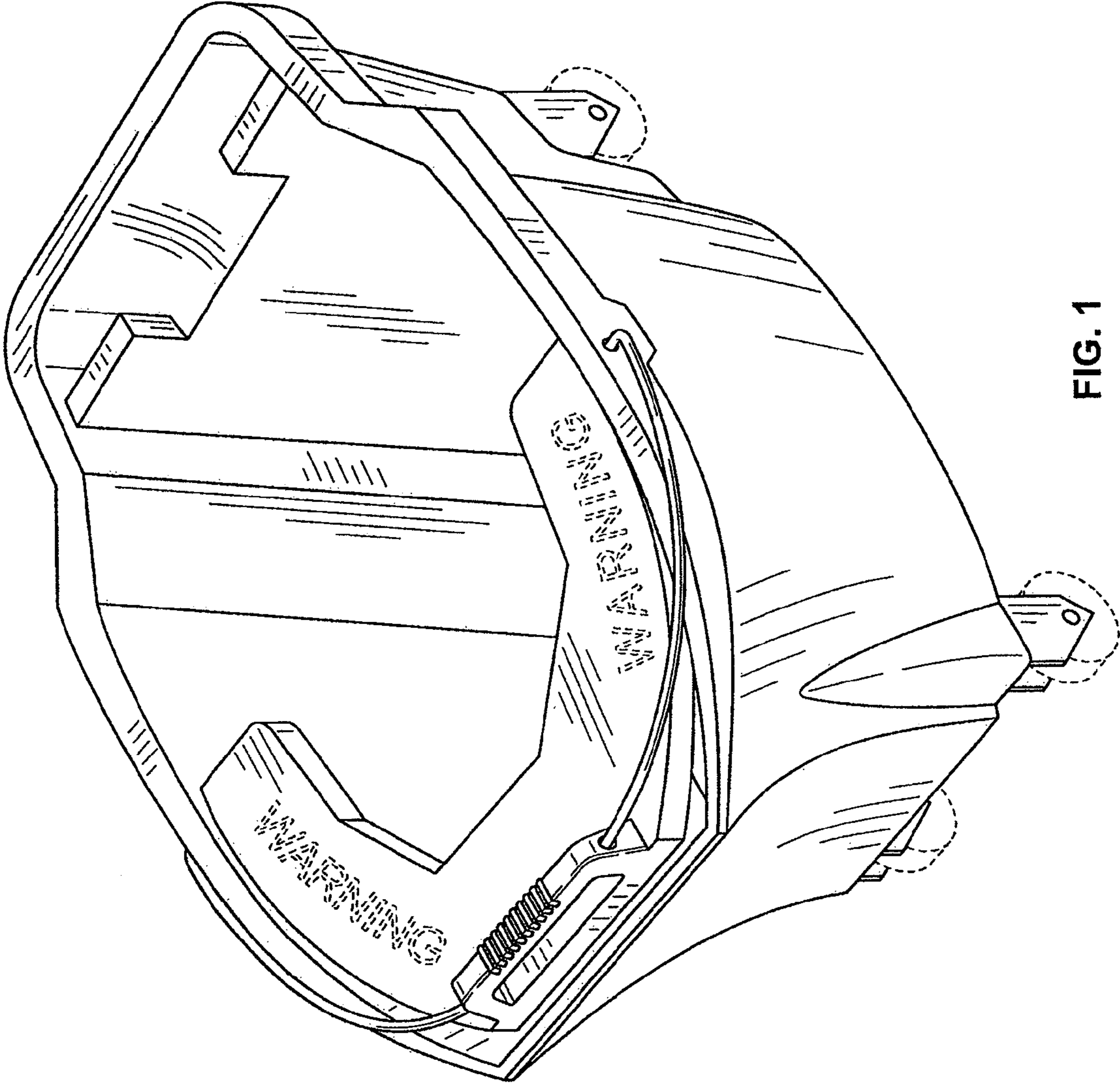


FIG. 1

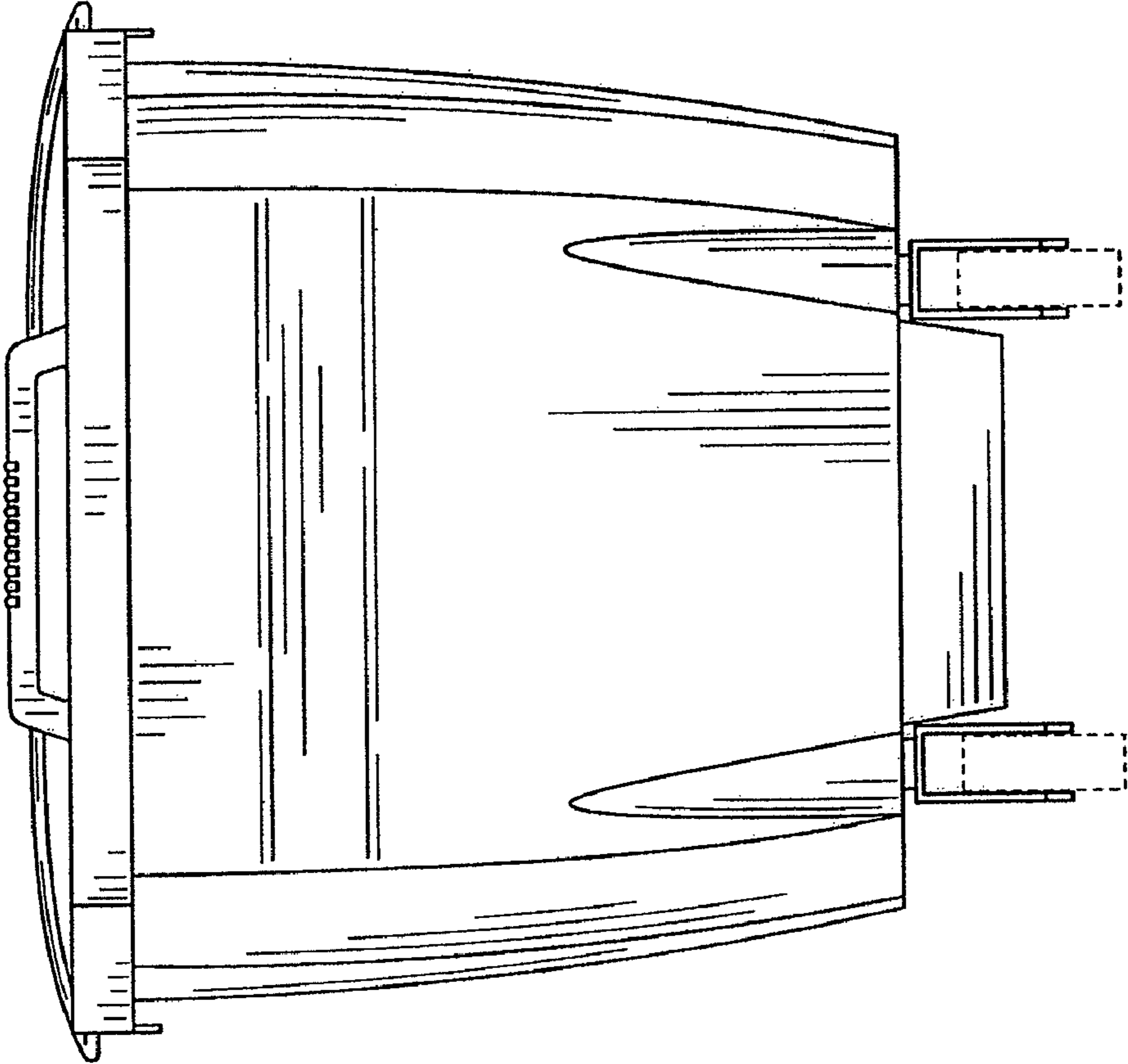


FIG. 3

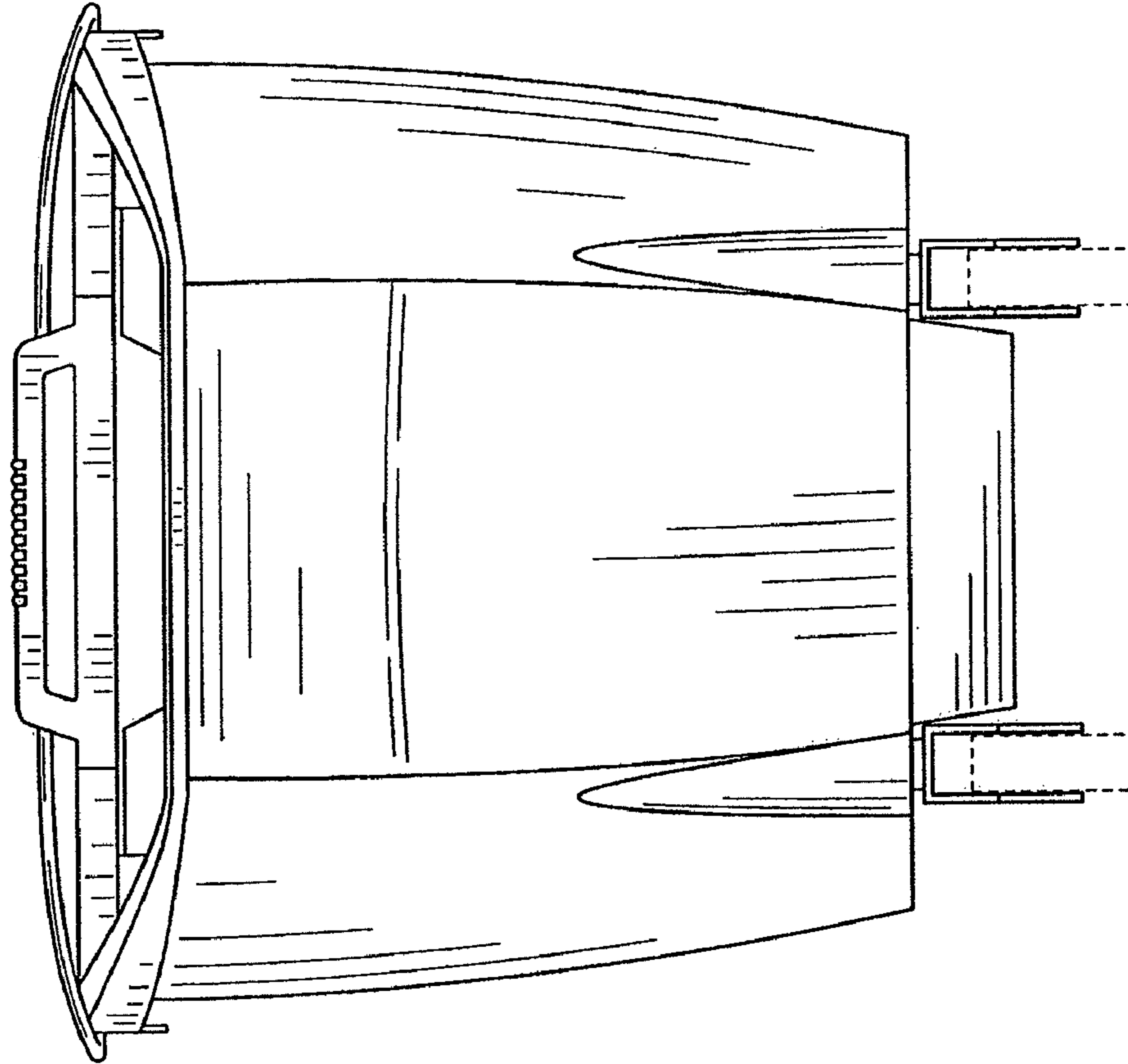


FIG. 2

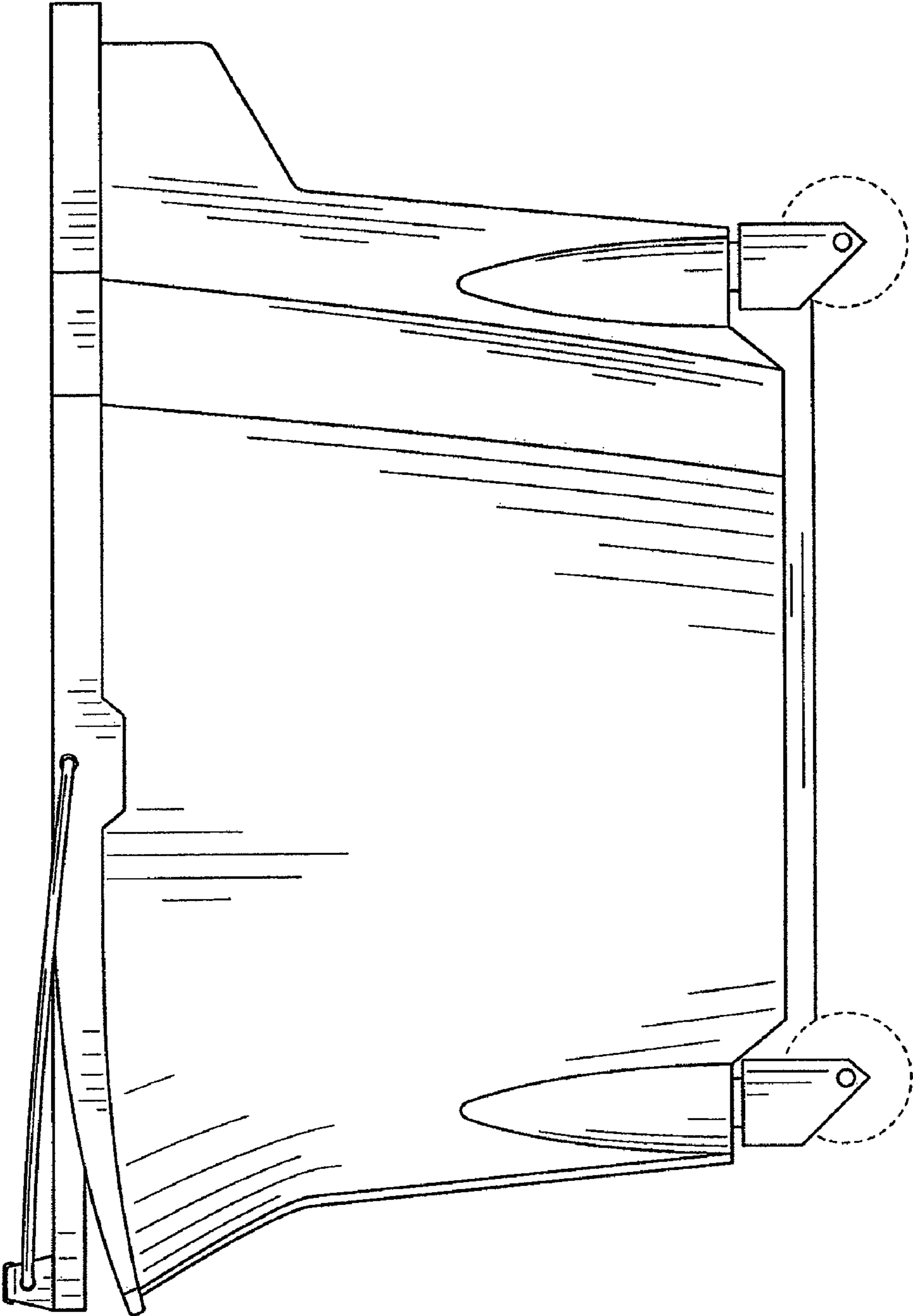


FIG. 4

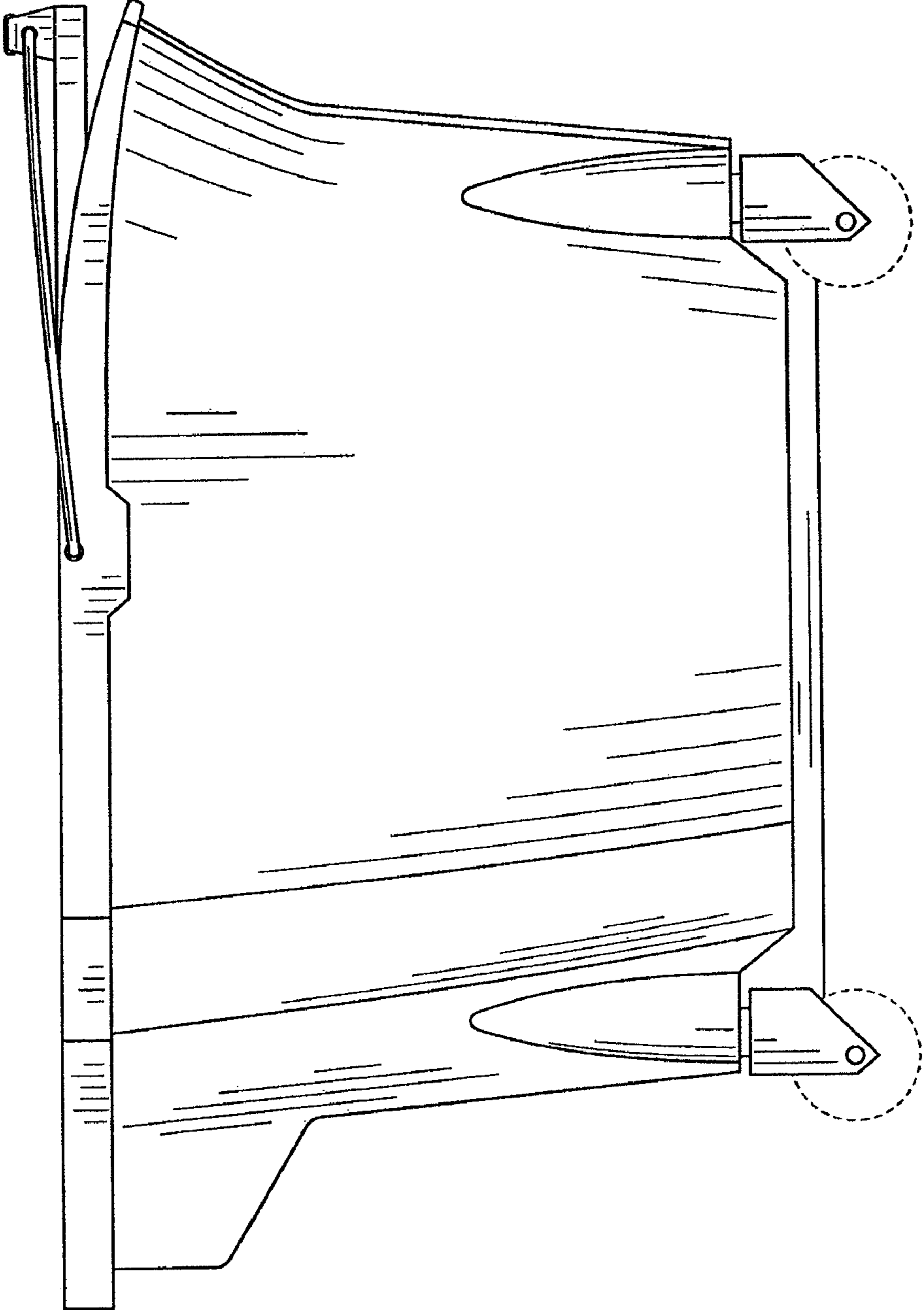


FIG. 5

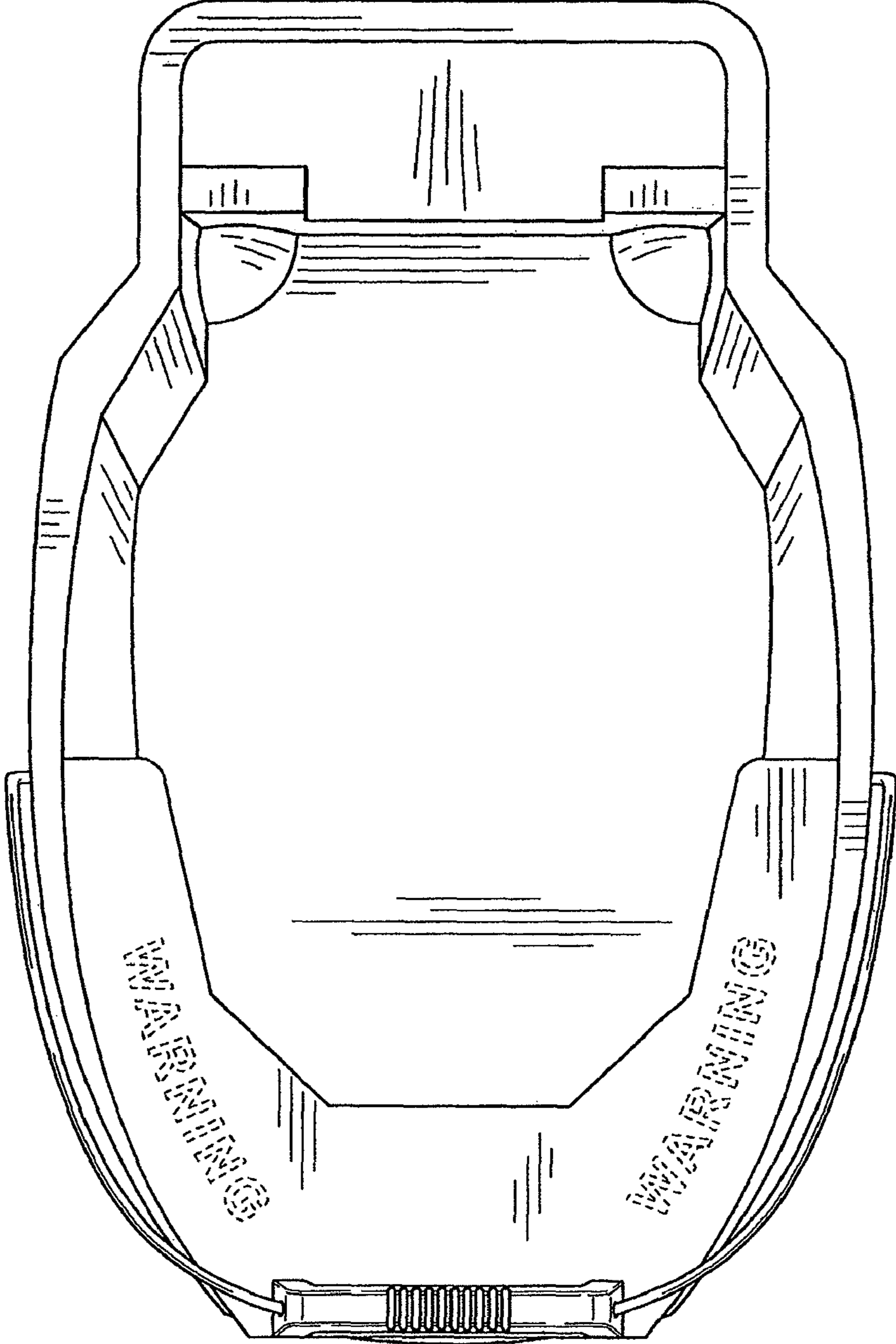


FIG. 6

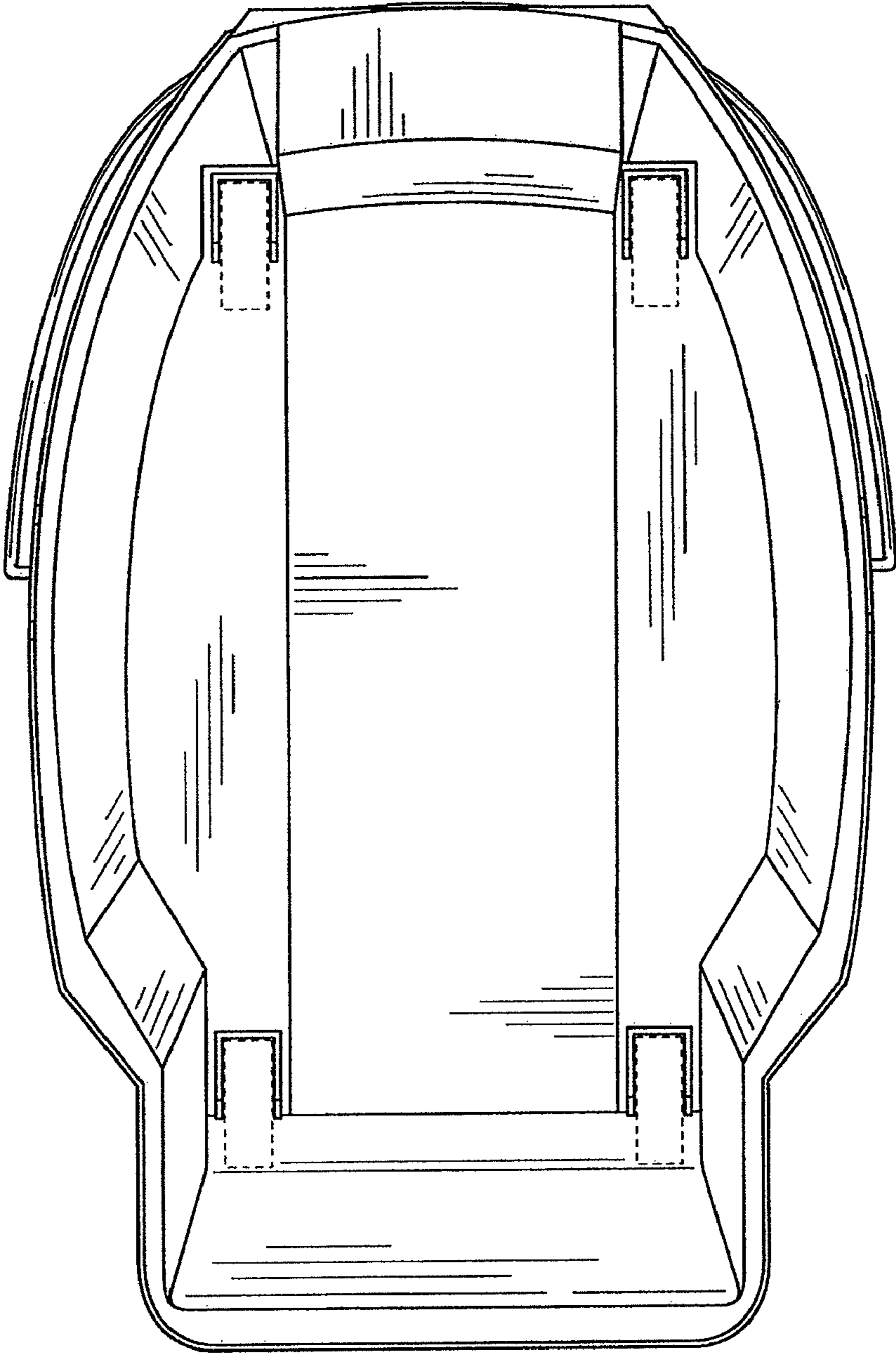


FIG. 7

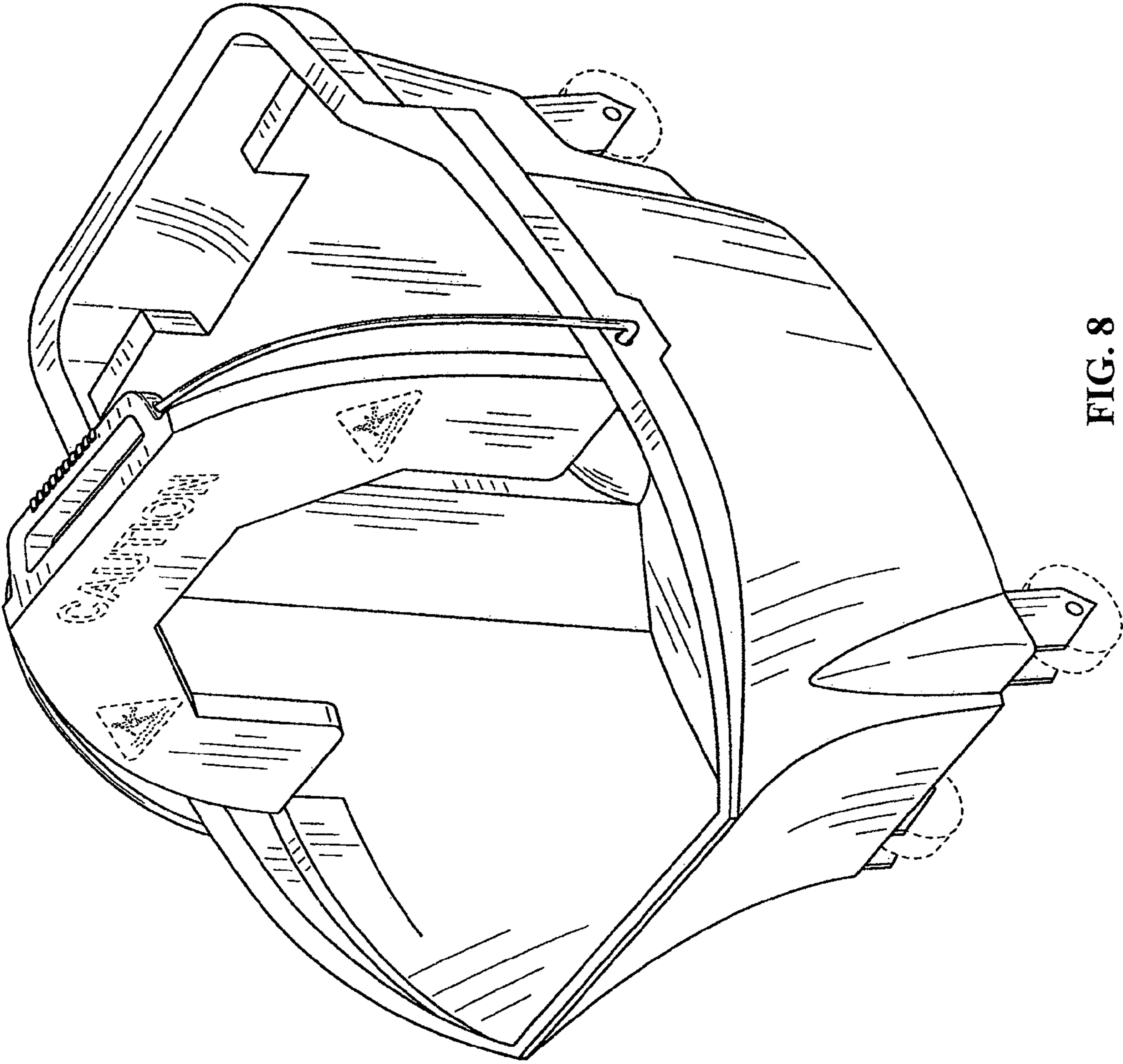


FIG. 8

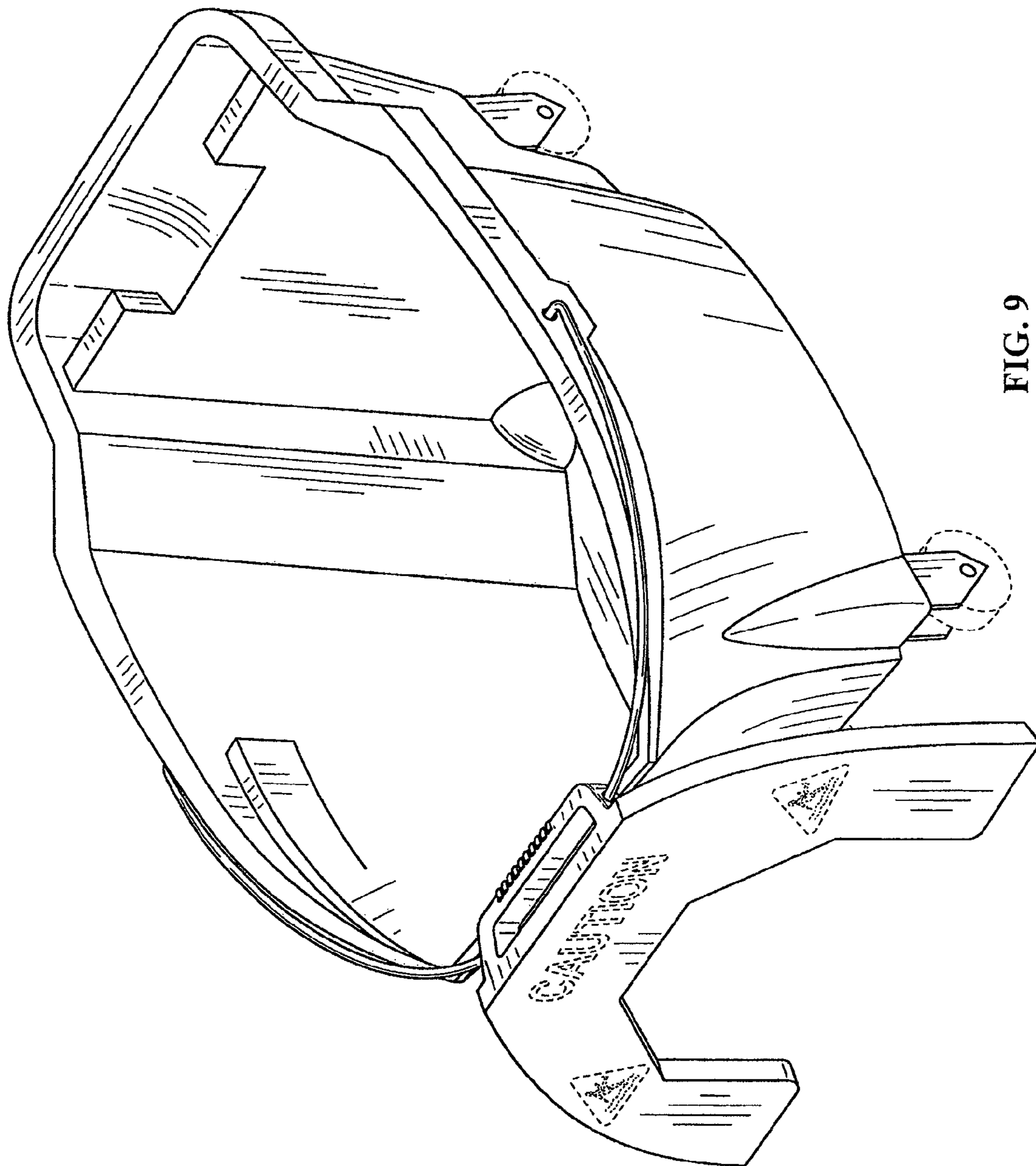


FIG. 9