



US00D619316S

(12) **United States Design Patent**
Yang et al.

(10) **Patent No.:** **US D619,316 S**
(45) **Date of Patent:** **** Jul. 6, 2010**

(54) **HAMPER STAND**

(75) Inventors: **Frank Yang**, Rancho Palos Verdes, CA (US); **Adam C. Wade**, Rancho Santa Margarita, CA (US); **Won Song**, Tustin, CA (US)

(73) Assignee: **Simplehuman LLC**, Torrance, CA (US)

(**) Term: **14 Years**

(21) Appl. No.: **29/294,946**

(22) Filed: **Feb. 1, 2008**

(51) **LOC (9) Cl.** **07-07**

(52) **U.S. Cl.** **D32/37**

(58) **Field of Classification Search** D34/37,
D34/5, 6; 248/95, 97, 99, 100, 101; D32/37
See application file for complete search history.

(56) **References Cited**

U.S. PATENT DOCUMENTS

2,625,973	A *	1/1953	Weldon et al.	206/459.5
3,286,752	A *	11/1966	Duryee, Jr.	220/9.3
3,502,291	A *	3/1970	Ackerman et al.	248/97
D279,038	S *	5/1985	Thompson, Jr.	D32/37
4,585,283	A *	4/1986	Redmon et al.	312/258
4,588,154	A *	5/1986	Basore	248/99
4,705,247	A *	11/1987	Delmerico	248/98
4,723,741	A *	2/1988	Doering	248/97
4,976,406	A *	12/1990	Buckley et al.	280/641
D341,687	S *	11/1993	Park	D34/5

5,667,066	A *	9/1997	Simpson	206/278
D404,861	S *	1/1999	Balensiefer, II	D32/37
6,419,193	B1 *	7/2002	Rodriquez	248/98
6,508,443	B1 *	1/2003	Andreasson	248/97
D586,064	S *	2/2009	Fraitis	D34/5
2006/0071129	A1 *	4/2006	Baddour et al.	248/99

* cited by examiner

Primary Examiner—Cynthia E Ramirez

(74) *Attorney, Agent, or Firm*—Liu & Liu

(57) **CLAIM**

The ornamental design for the hamper stand, as shown and described.

DESCRIPTION

FIG. 1 is a right perspective view of a hamper stand showing the new design;

FIG. 2 is a left side view thereof;

FIG. 3 is a right side view thereof;

FIG. 4 is a top plan view thereof;

FIG. 5 is a bottom plan view thereof;

FIG. 6 is a front view thereof; and,

FIG. 7 is a rear view thereof.

The broken line showing of a hamper bag in FIG. 1 is included for the purpose of illustrating environment and forms no part of the claimed design.

1 Claim, 7 Drawing Sheets

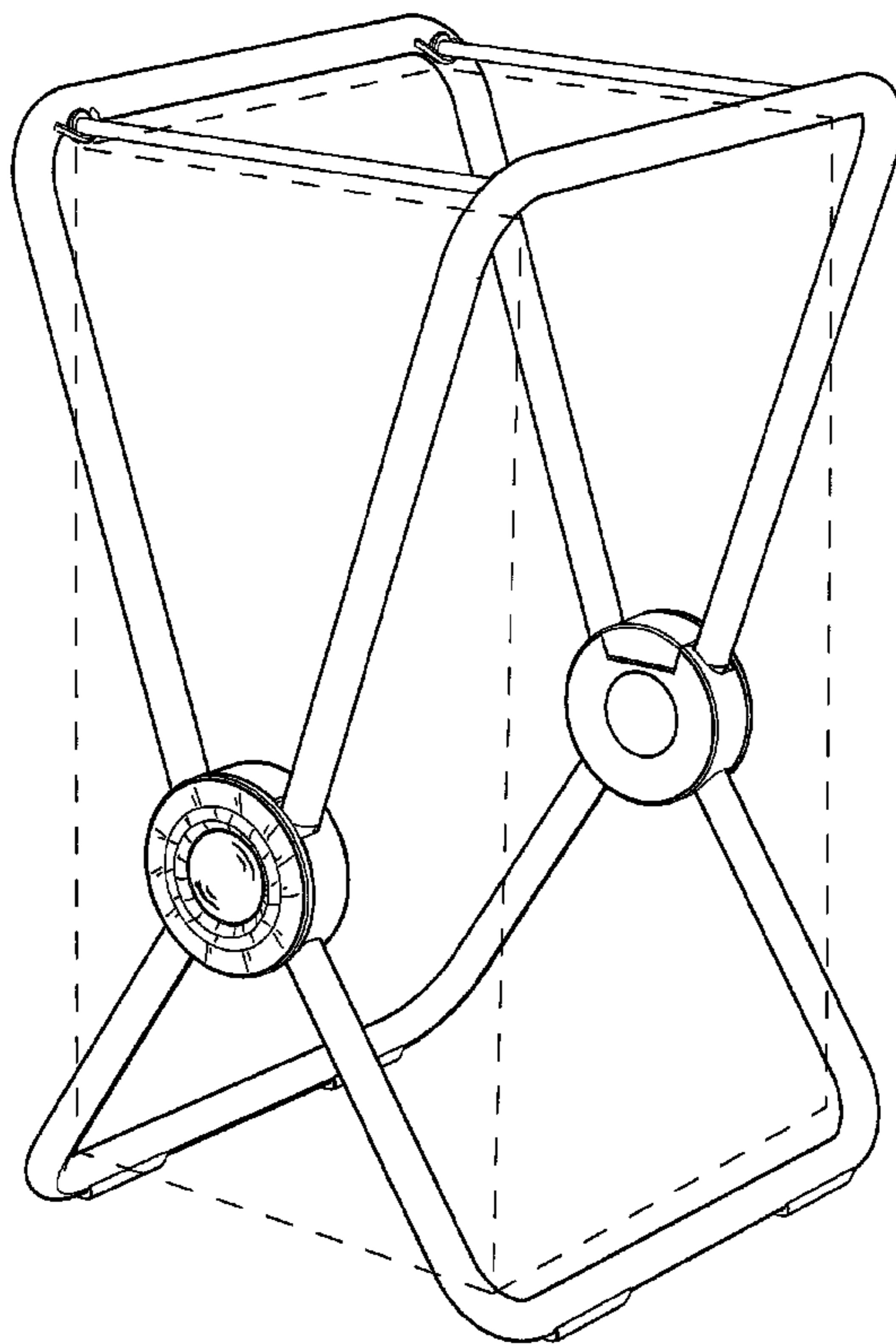


FIG. 1

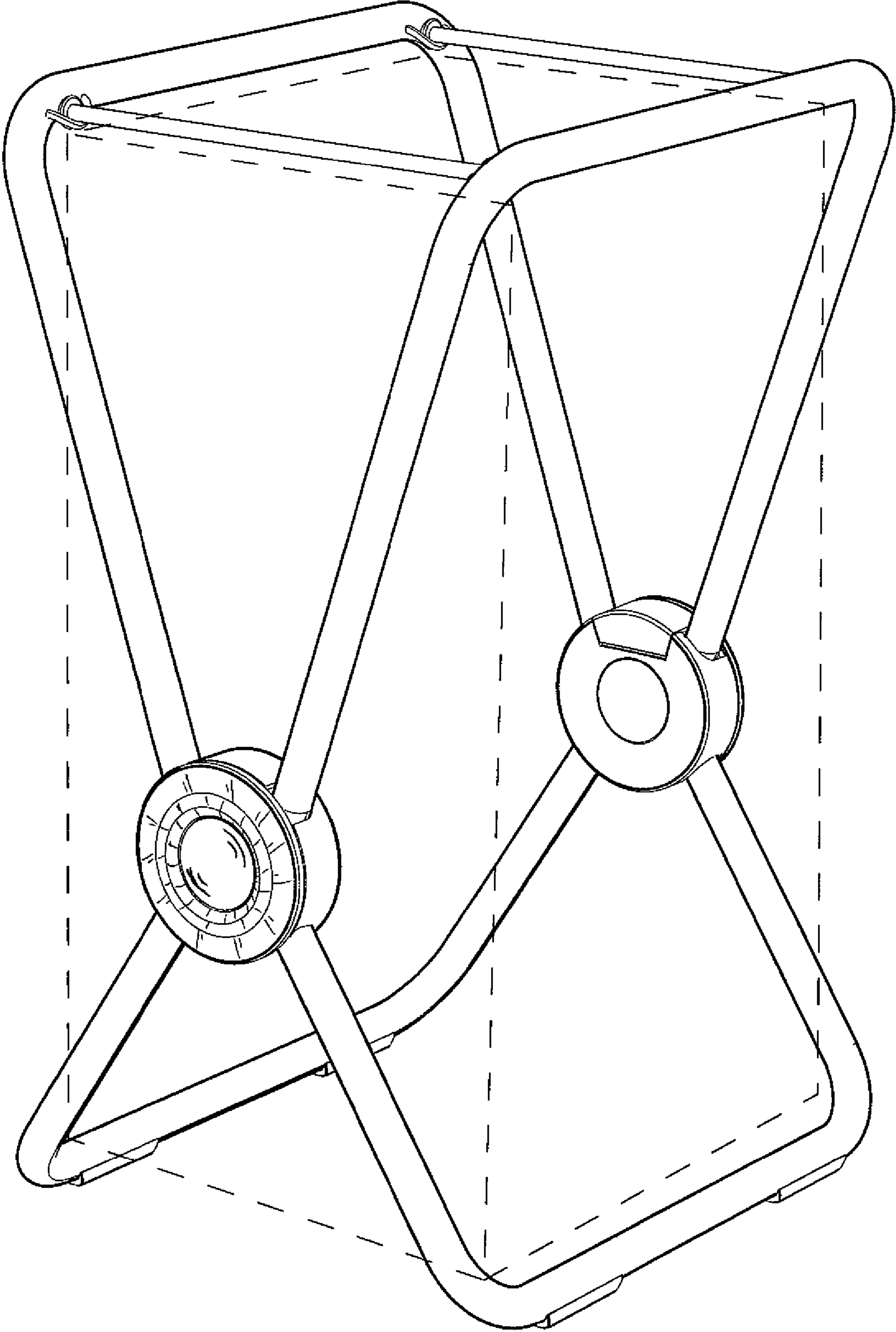


FIG. 2

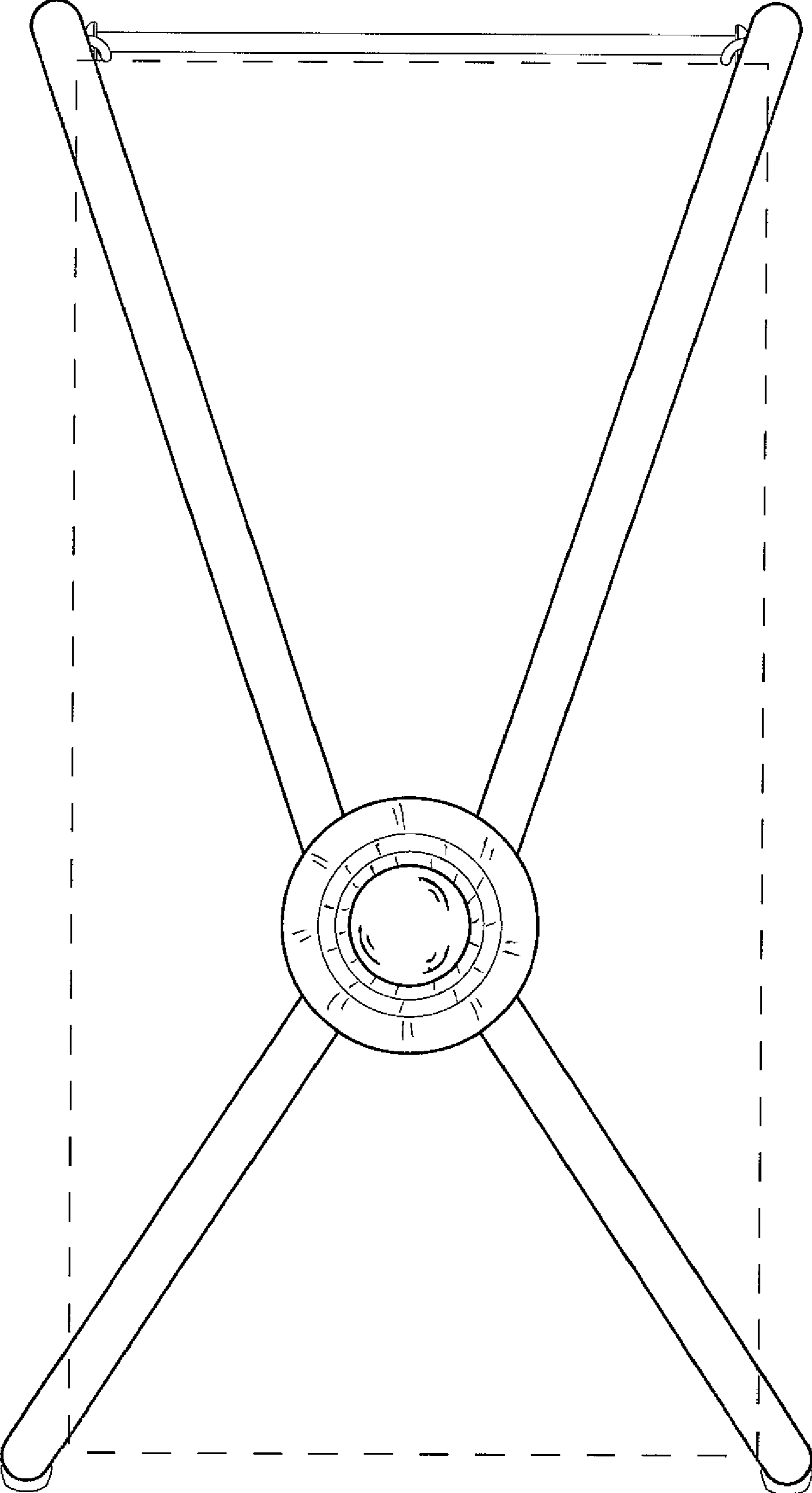


FIG. 3

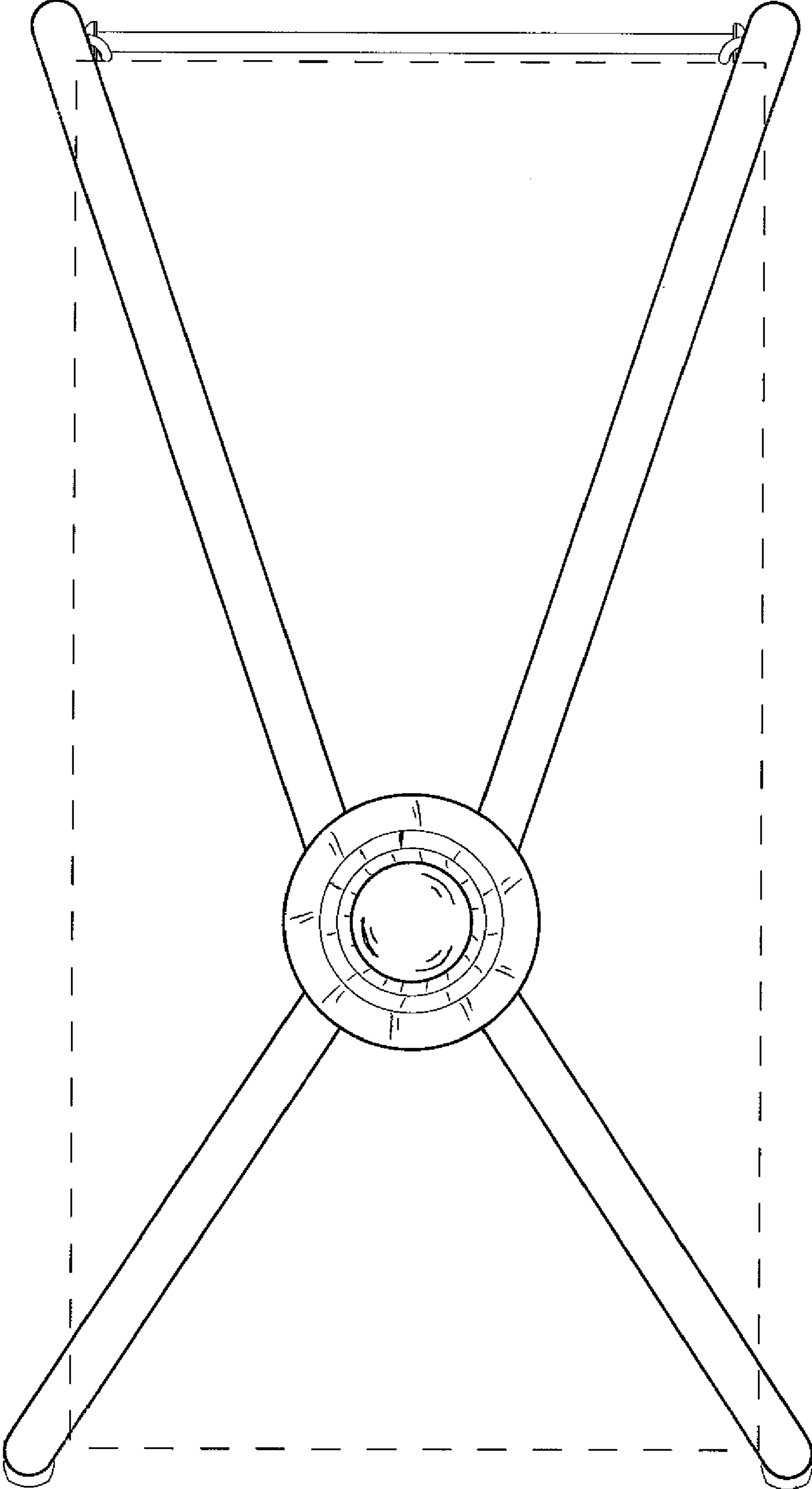


FIG. 4

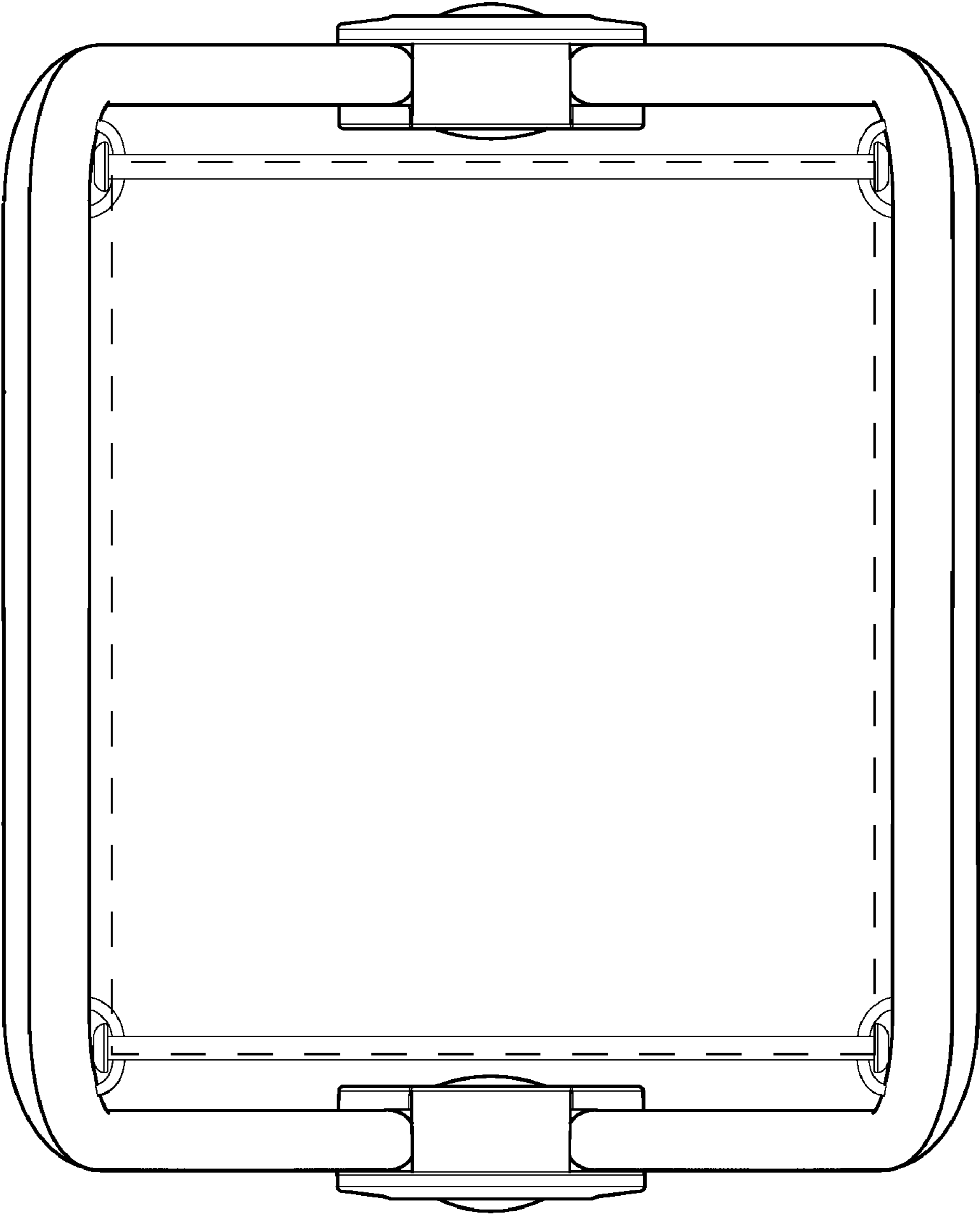


FIG. 5

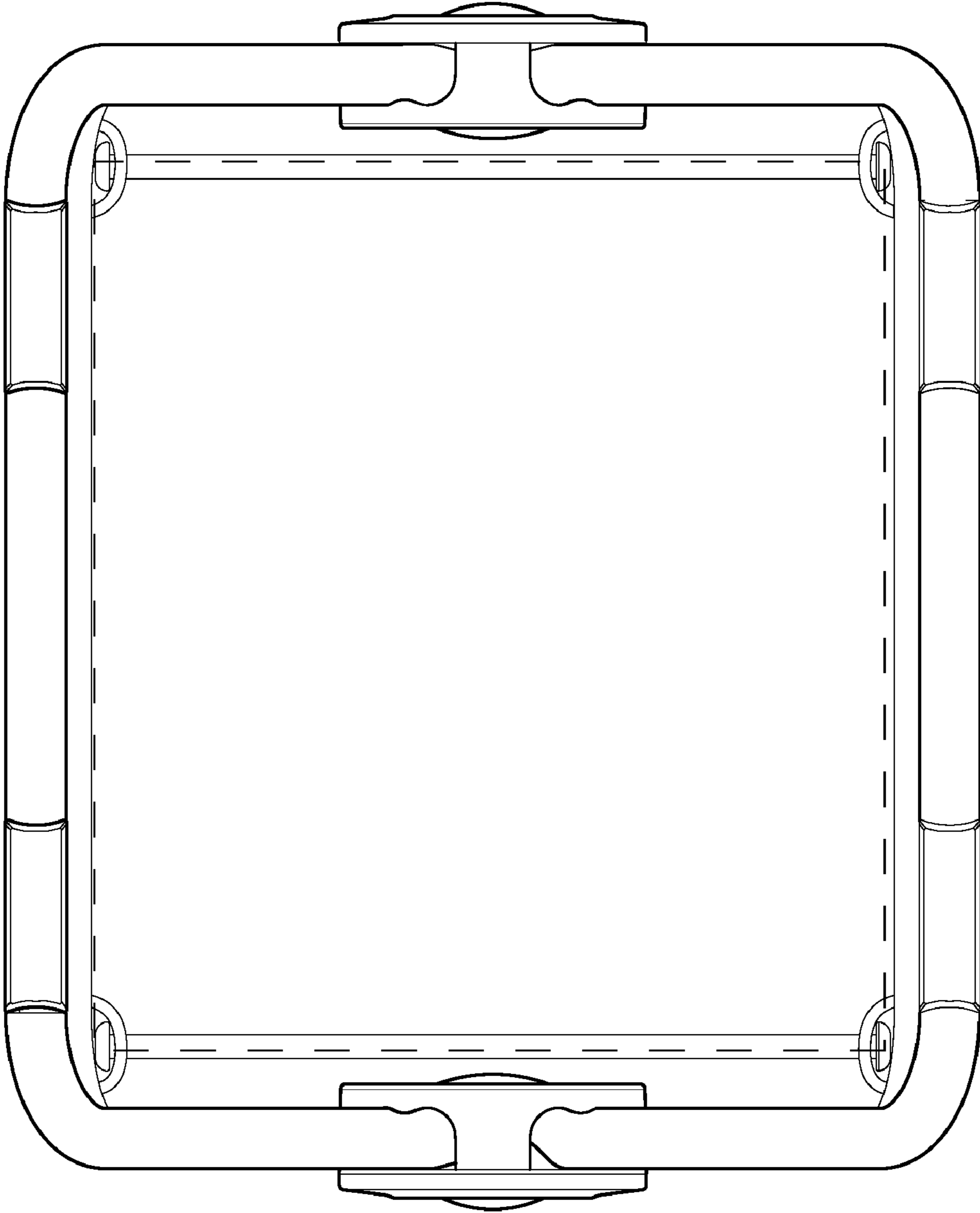


FIG. 6

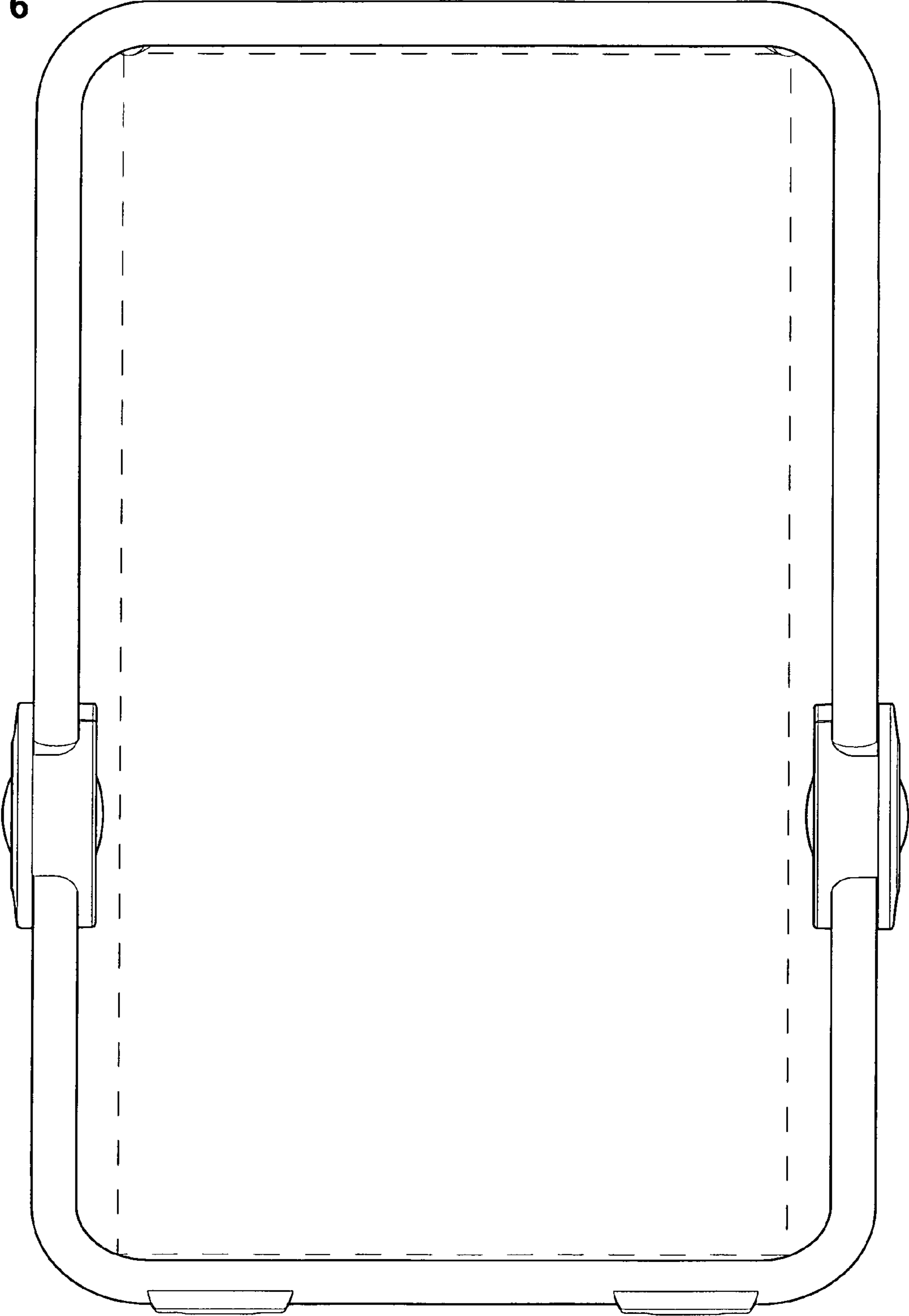


FIG. 7

