



US00D619315S

(12) **United States Design Patent**
Ayers

(10) **Patent No.:** **US D619,315 S**
(45) **Date of Patent:** **** Jul. 6, 2010**

(54) **FLOOR NOZZLE FOR CANISTER VACUUM CLEANER**

(75) Inventor: **Kevin B. Ayers**, Danville, KY (US)

(73) Assignee: **Panasonic Corporation of North America**, Secaucus, NJ (US)

(**) Term: **14 Years**

(21) Appl. No.: **29/332,034**

(22) Filed: **Feb. 6, 2009**

(51) **LOC (9) Cl.** **15-05**

(52) **U.S. Cl.** **D32/32**

(58) **Field of Classification Search** D32/22,
D32/31-33, 50-51, 38-39; 15/329, 350-351,
15/361-362, 400, 410, 412, 414, 415.1-422,
15/327.1-327.7, 340.2, 383, 1.51, 42, 41.1,
15/398

See application file for complete search history.

(56) **References Cited**

U.S. PATENT DOCUMENTS

D263,236 S *	3/1982	Ueda	D32/32
D418,267 S *	12/1999	Lin	D32/32
D440,019 S *	4/2001	Mehaffey et al.	D32/32
D456,965 S *	5/2002	Paterson et al.	D32/32
D456,966 S *	5/2002	Paterson et al.	D32/32
D469,936 S	2/2003	Mehaffey		
D469,937 S	2/2003	Leyden		
D481,845 S	11/2003	Leyden		
D488,274 S	4/2004	Leyden et al.		
D488,897 S	4/2004	Leyden		
D495,106 S *	8/2004	Leyden et al.	D32/32
6,799,351 B2 *	10/2004	Porath	15/377
D498,029 S	11/2004	Downey et al.		
D499,850 S *	12/2004	Leyden	D32/32

D515,757 S	2/2006	Leyden		
7,013,521 B2 *	3/2006	Grey	15/42
D521,199 S	5/2006	Leyden		
D524,498 S *	7/2006	Luebbering et al.	D32/32
D560,866 S *	1/2008	Rosenzweig	D32/38
7,356,876 B2 *	4/2008	Dant et al.	15/414
D577,166 S *	9/2008	Rosenzweig	D32/38
D594,612 S *	6/2009	Umeda	D32/32
7,549,190 B2 *	6/2009	Oh et al.	15/364
7,665,172 B1 *	2/2010	Tran et al.	15/41.1
2006/0021188 A1 *	2/2006	Lee	15/419
2007/0113361 A1 *	5/2007	Reese et al.	15/41.1
2008/0022489 A1 *	1/2008	Gogel et al.	15/414
2008/0141472 A1 *	6/2008	Jeutter et al.	15/41.1
2008/0289141 A1 *	11/2008	Oh et al.	15/354
2009/0241284 A1 *	10/2009	Mayes et al.	15/327.1

* cited by examiner

Primary Examiner—Ruth McInroy

(74) *Attorney, Agent, or Firm*—King & Schickli, PLLC

(57) **CLAIM**

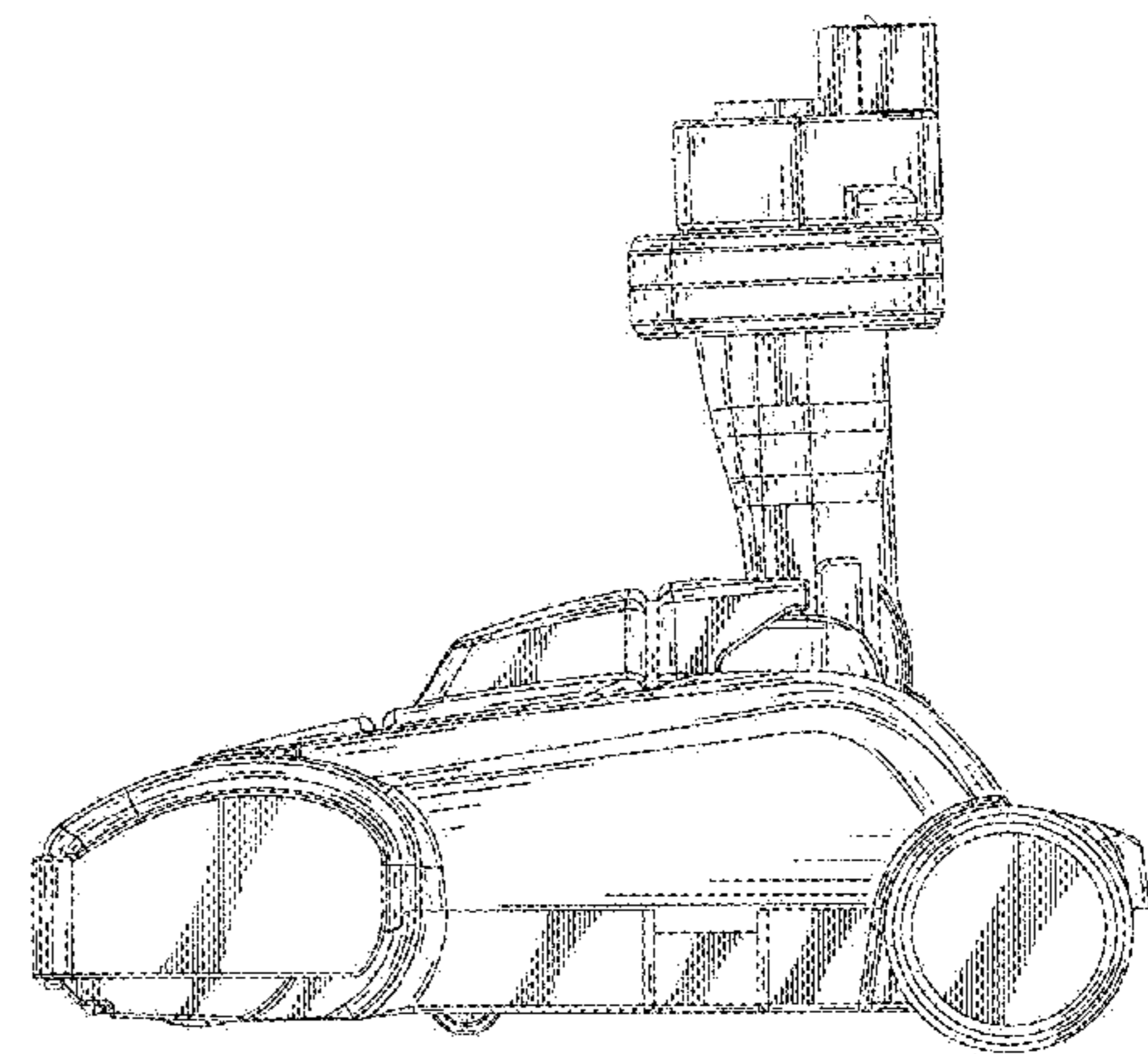
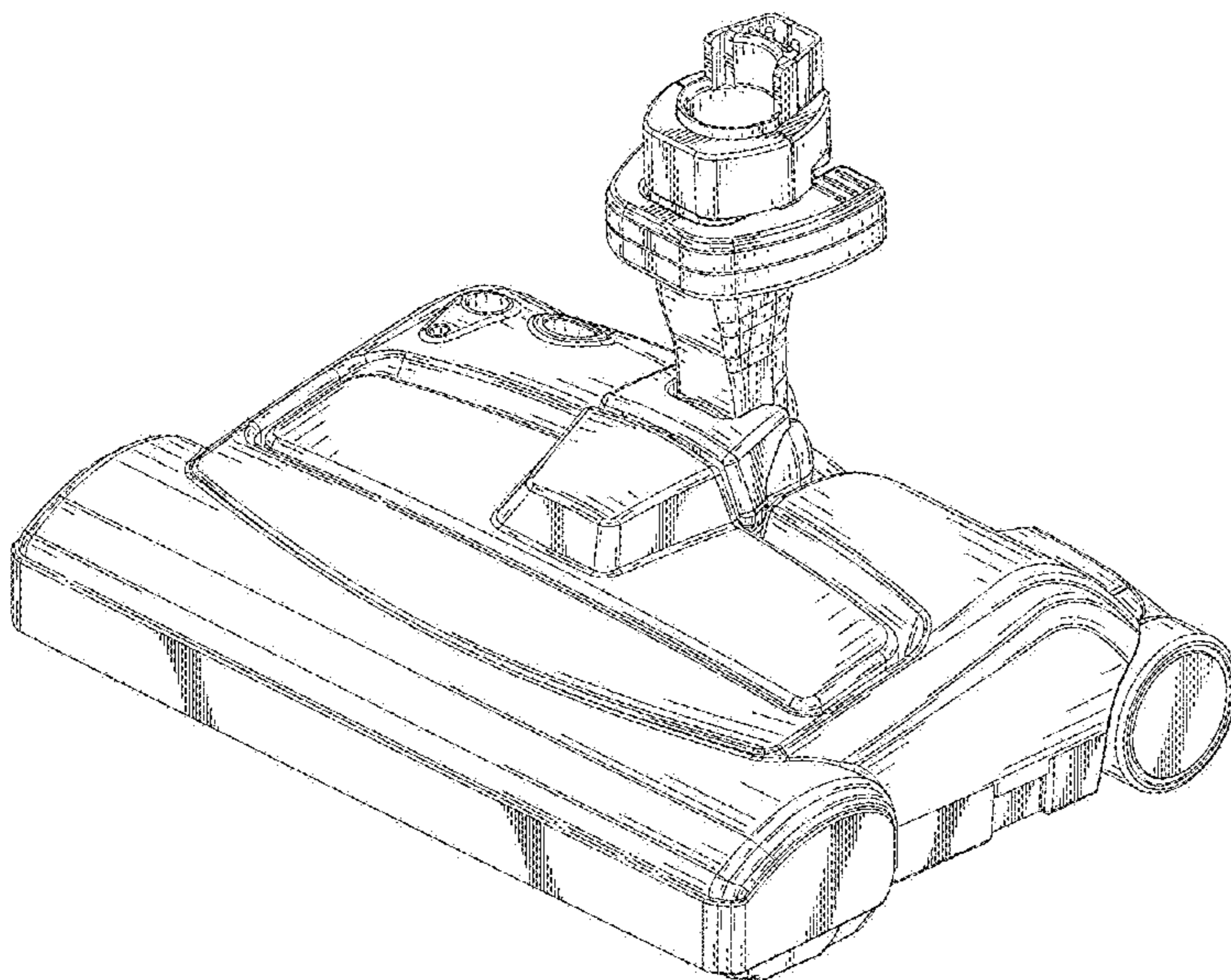
The ornamental design for a floor nozzle for canister vacuum cleaner, as shown and described.

DESCRIPTION

FIG. 1 is a front perspective view of a floor nozzle for canister vacuum cleaner showing my new design;
FIG. 2 is a front elevational view thereof;
FIG. 3 is a left side elevational view thereof;
FIG. 4 is a rear elevational view thereof;
FIG. 5 is a right side elevational view thereof; and,
FIG. 6 is a top plan view thereof.

The broken lines in the Figures are for illustrative purposes only and form no part of the claimed design.

1 Claim, 6 Drawing Sheets



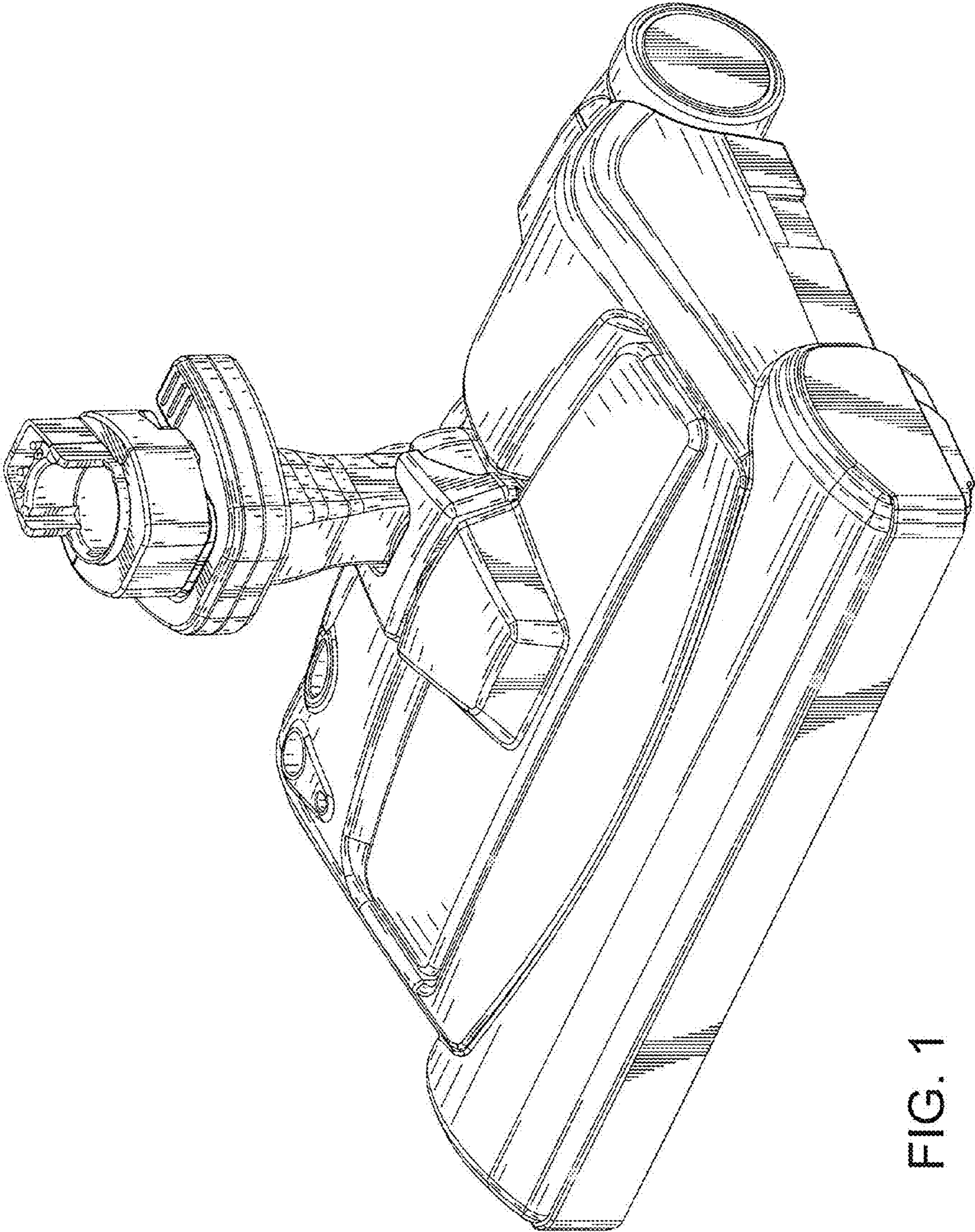


FIG. 1

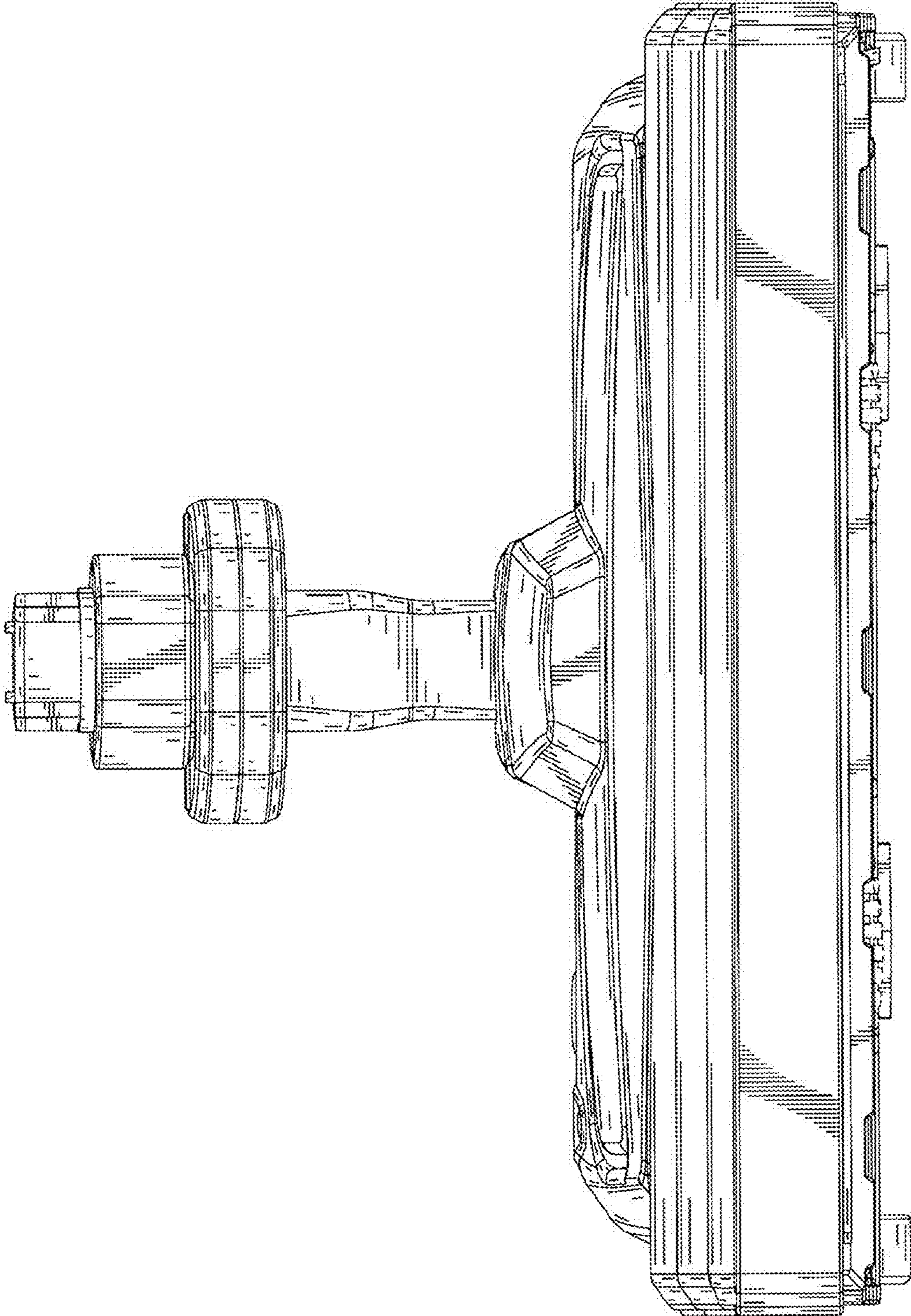


FIG. 2

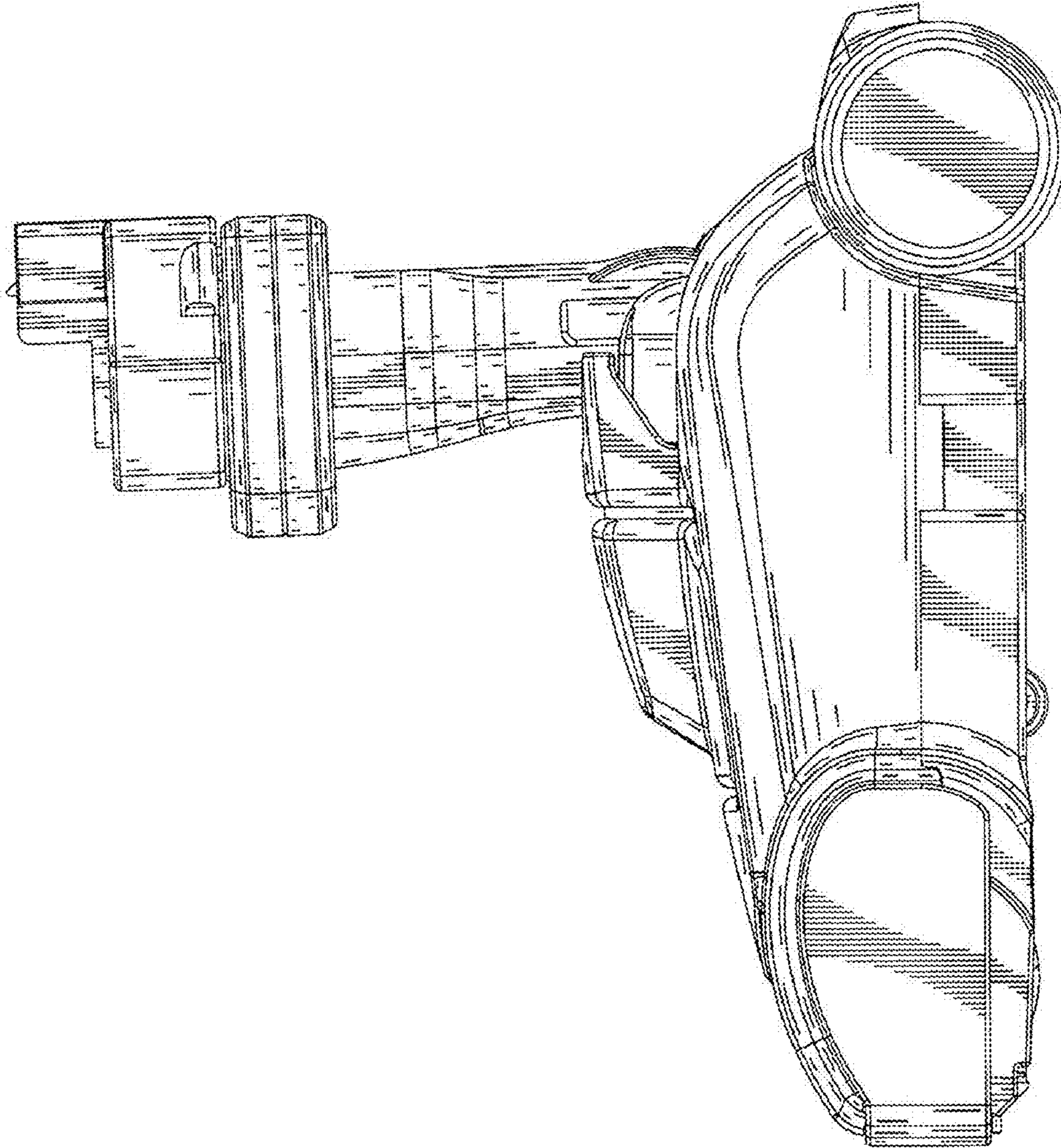


FIG. 3

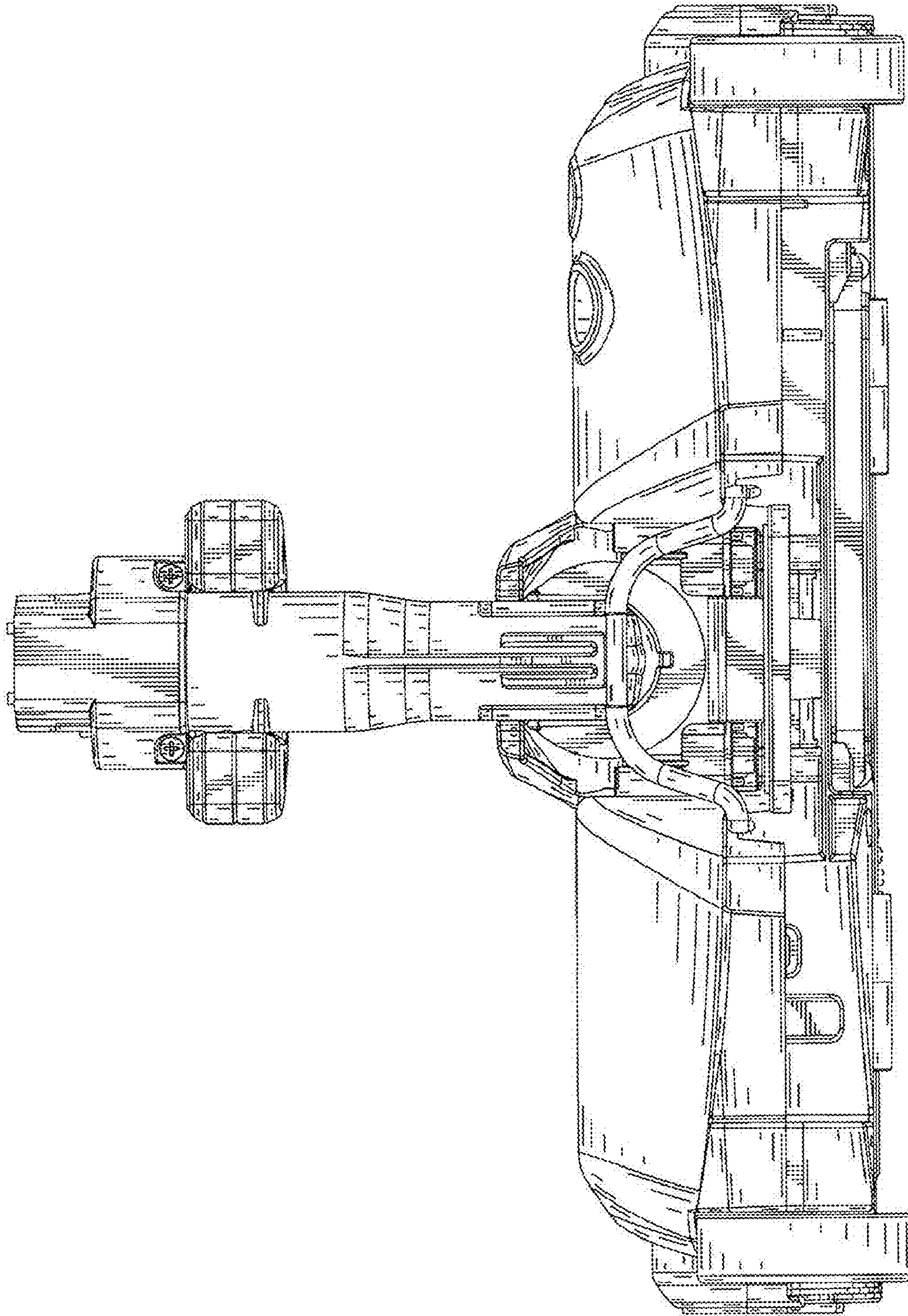


FIG. 4

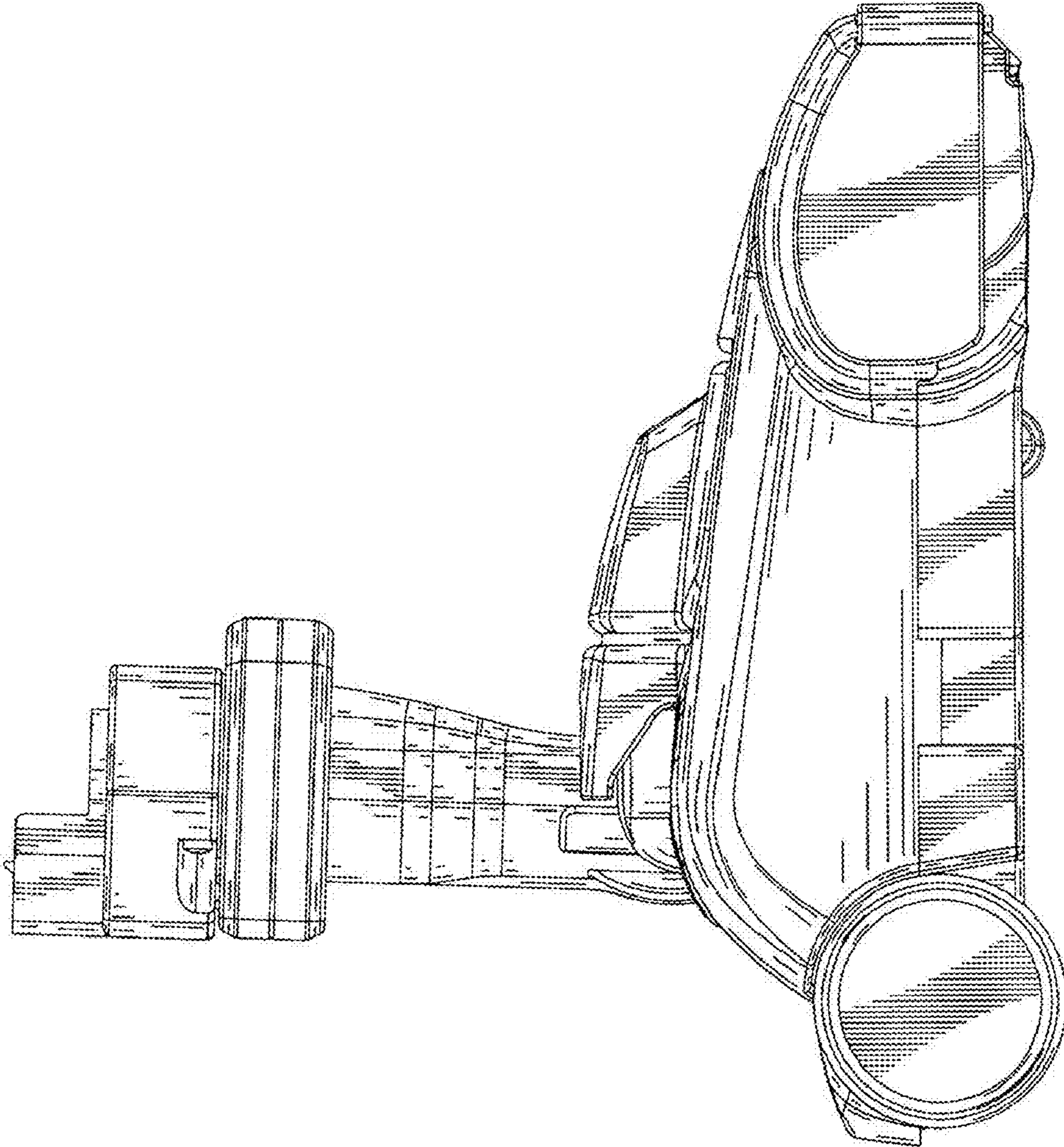


FIG. 5

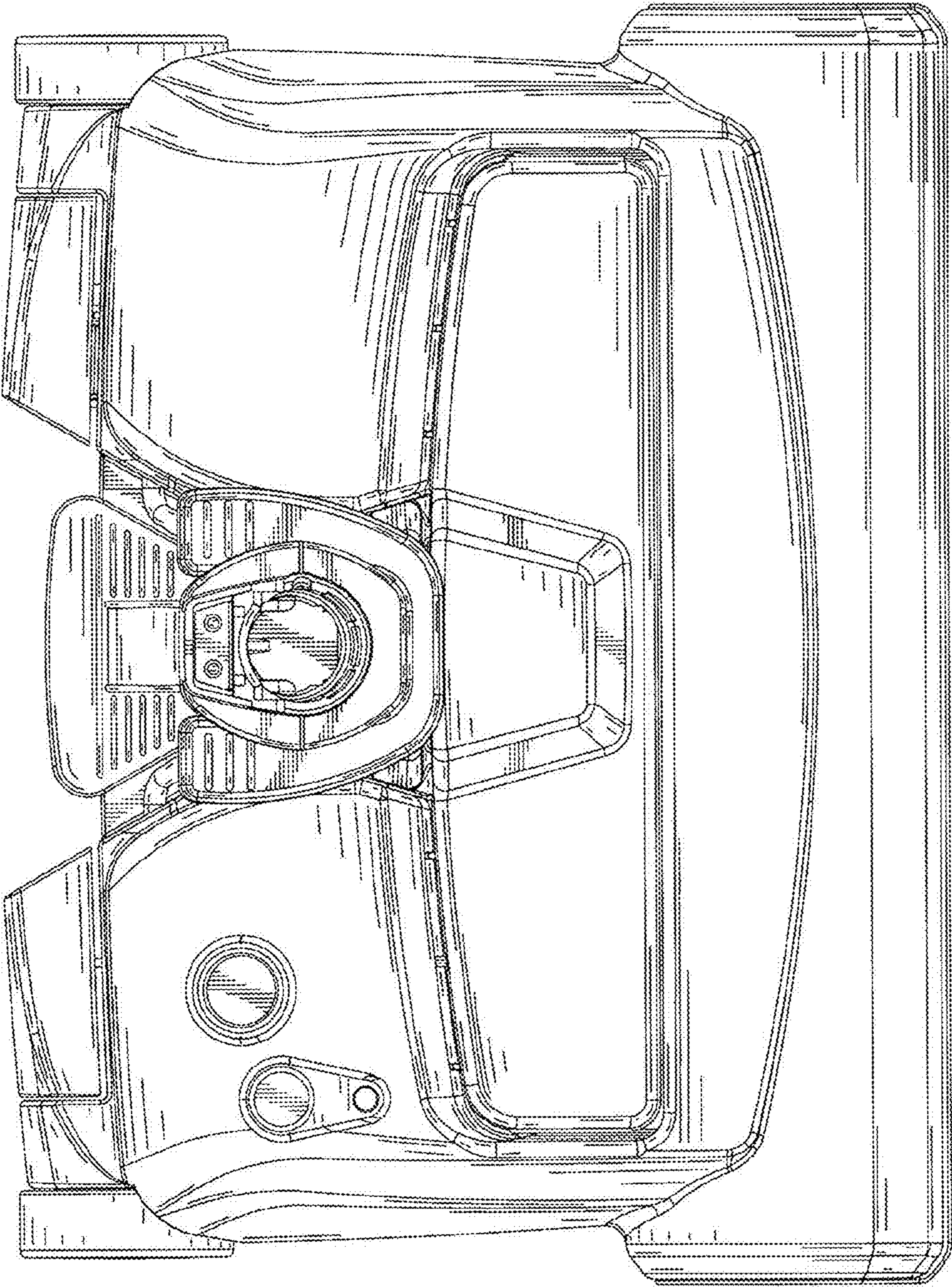


FIG. 6