



US00D619313S

(12) **United States Design Patent**
Cline et al.

(10) **Patent No.:** **US D619,313 S**
(45) **Date of Patent:** **** Jul. 6, 2010**

(54) **LAUNDRY APPLIANCE DOOR**

(75) Inventors: **Wyatt A. Cline**, Saint Joseph, MI (US);
Richard K. Gresens, Saint Joseph, MI
(US); **Rajat Shail**, Saint Joseph, MI
(US)

(73) Assignee: **Whirlpool Corporation**, Benton Harbor,
MI (US)

(**) Term: **14 Years**

(21) Appl. No.: **29/346,830**

(22) Filed: **Nov. 6, 2009**

(51) **LOC (9) Cl.** **15-05**

(52) **U.S. Cl.** **D32/25**

(58) **Field of Classification Search** D32/6,
D32/8, 5, 10, 1, 9, 25; 68/3 R, 5 R, 12.01,
68/212; 34/523-524, 87-88, 132, 597; 312/31
See application file for complete search history.

(56) **References Cited**

U.S. PATENT DOCUMENTS

| | | | | |
|--------------|---------|------------------|-------|--------|
| D479,373 S * | 9/2003 | Silva | | D32/25 |
| D481,499 S * | 10/2003 | Moreira da Silva | | D32/25 |
| D536,143 S * | 1/2007 | Takase et al. | | D32/5 |
| D582,107 S * | 12/2008 | Ha et al. | | D32/6 |
| D584,865 S * | 1/2009 | Kim et al. | | D32/6 |
| D585,165 S * | 1/2009 | Kim et al. | | D32/6 |
| D589,215 S * | 3/2009 | Cho et al. | | D32/6 |

* cited by examiner

Primary Examiner—T. Chase Nelson
Assistant Examiner—Kathleen M Sims

(74) *Attorney, Agent, or Firm*—Tara M. Hartman; Barnes &
Thornburg LLP

(57) **CLAIM**

We claim the ornamental design for a laundry appliance door,
as shown and described.

DESCRIPTION

FIG. 1 is a front perspective view of the laundry appliance
door showing our new design in condition of use with a
broken line showing of a laundry appliance, which forms no
part of the claimed design;

FIG. 2 is a front elevational view thereof with the broken line
laundry appliance removed;

FIG. 3 is a side elevational view thereof;

FIG. 4 is an opposite side elevational view thereof; and,

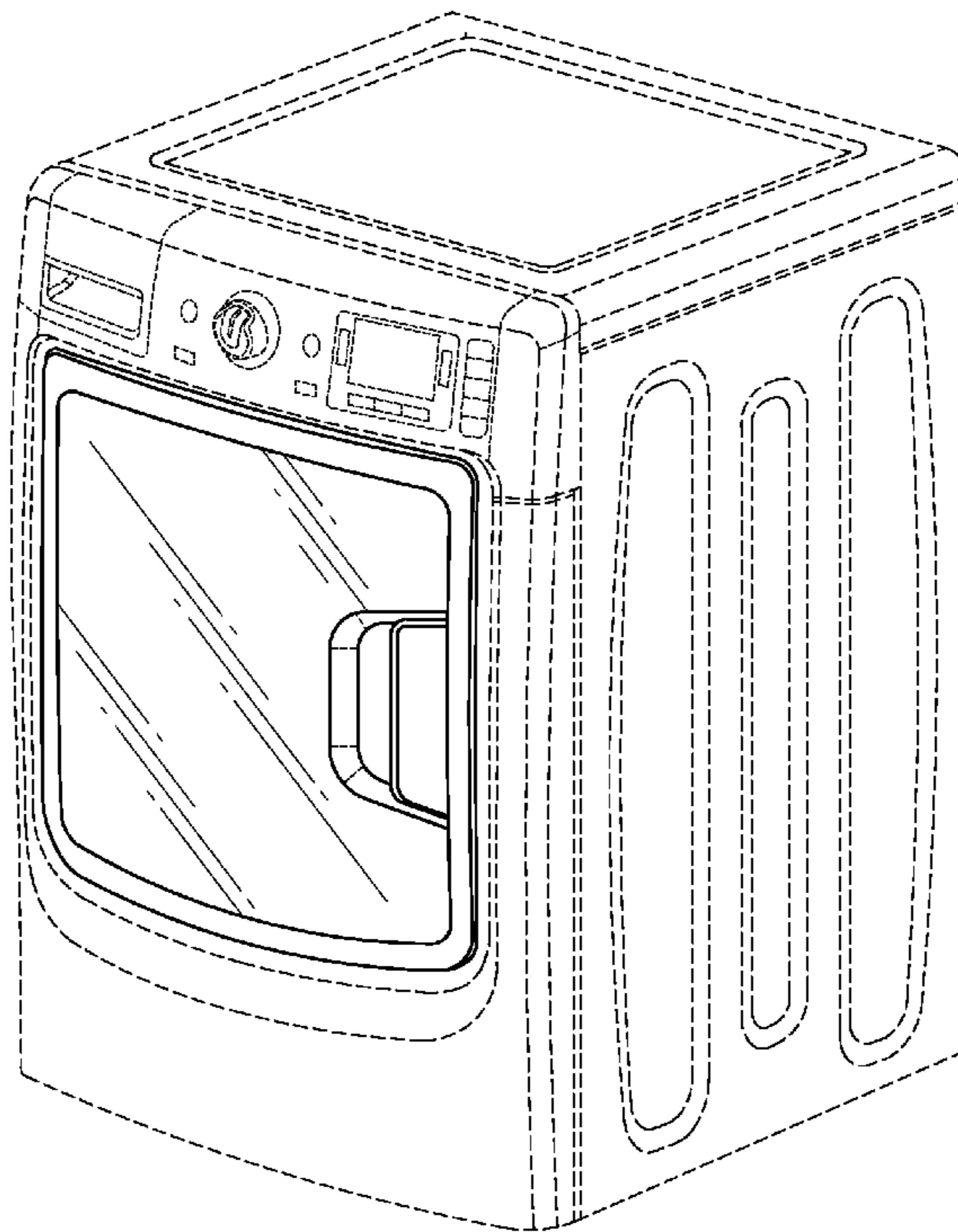
FIG. 5 is a top plan view thereof with the bottom plan view
being a mirror image thereof.

The rear elevational view is not shown and forms no part of
the claimed design.

The portion shown in broken lines is for illustrative purposes
only and forms no part of the claimed design.

The dashed lines shown in FIGS. 3, 4 and 5 represent bound-
ary lines, and the additional broken lines in FIG. 5 depict
portions of the laundry appliance door that form no part of the
claimed design.

1 Claim, 3 Drawing Sheets



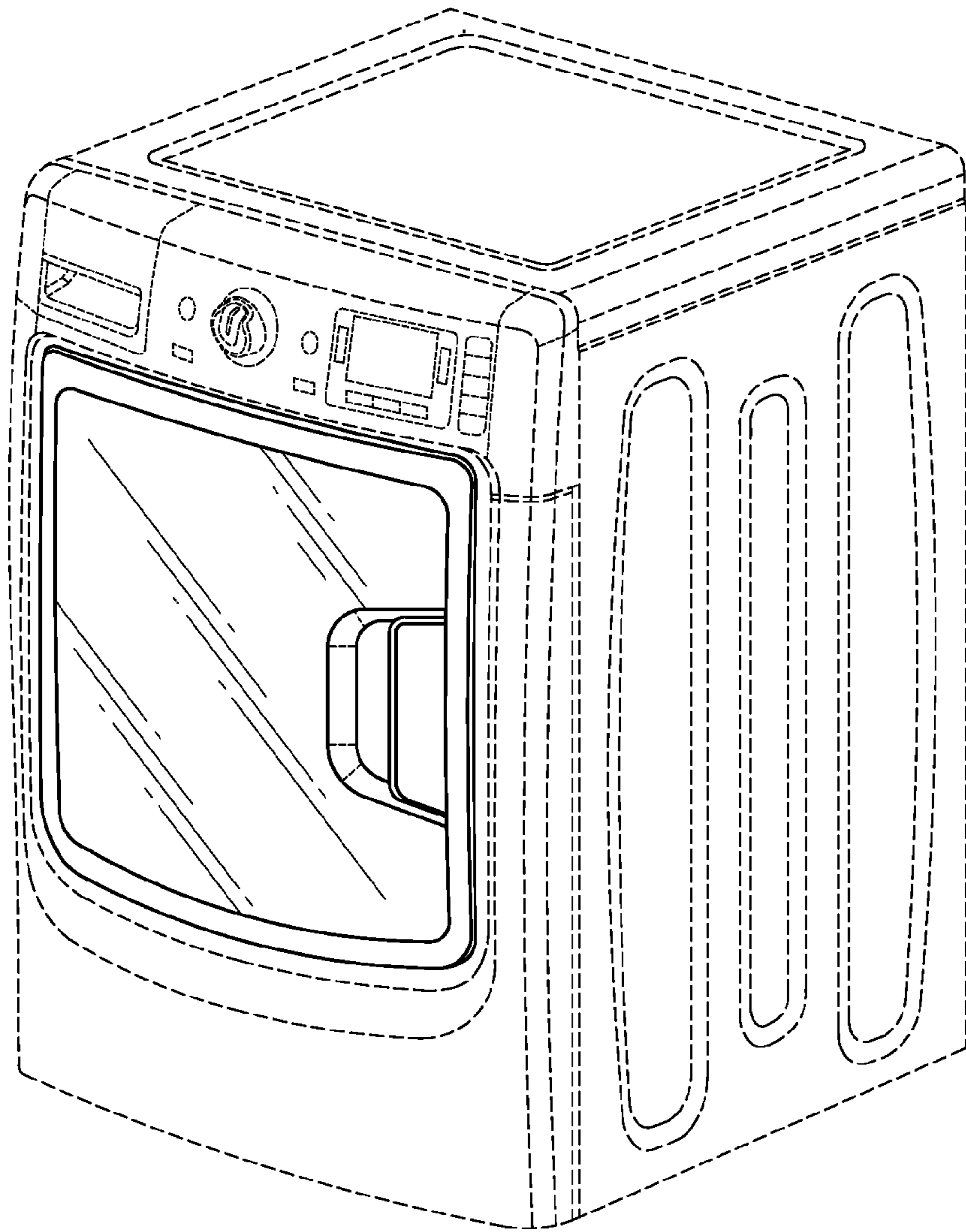


Fig. 1

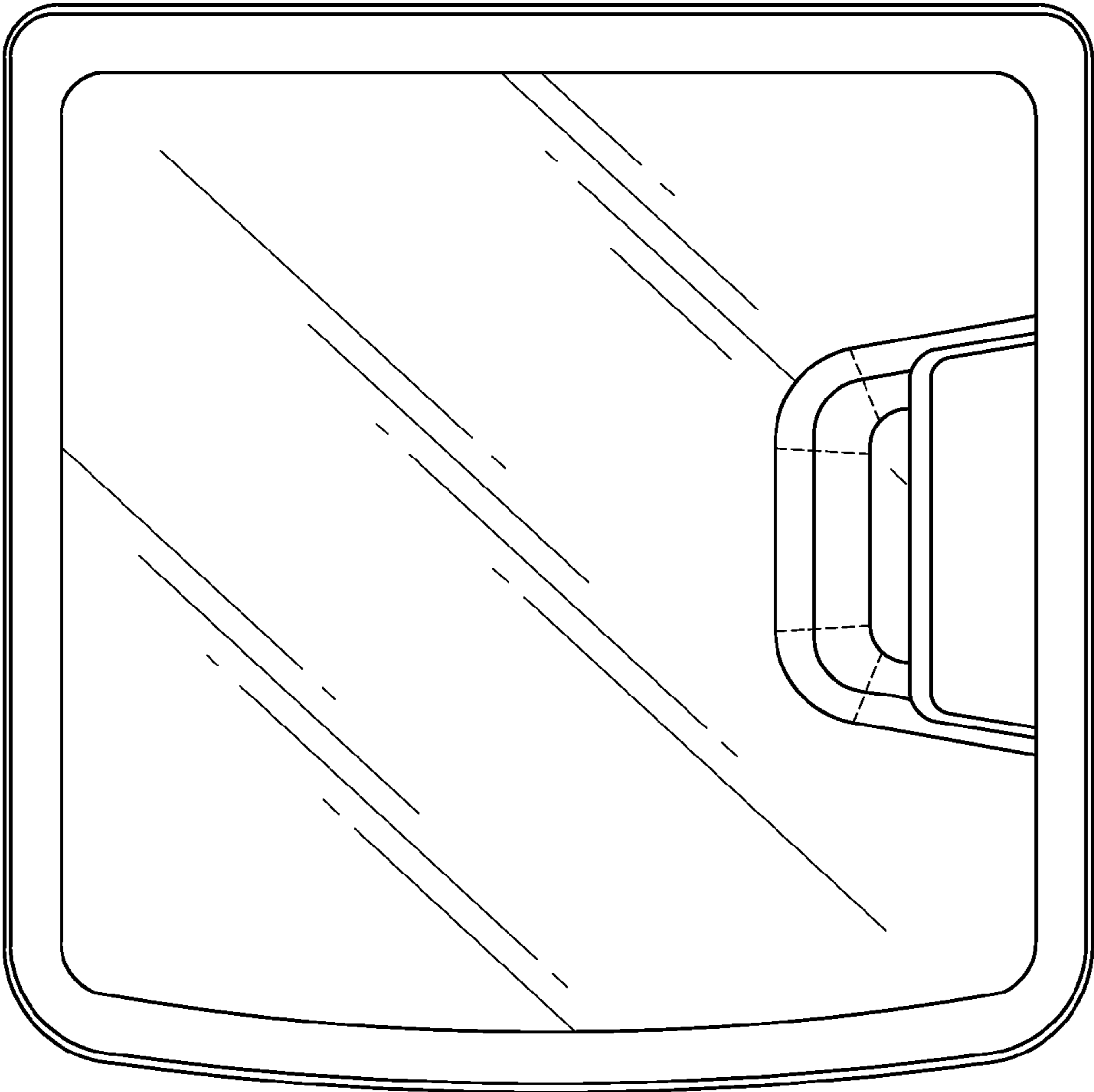


Fig. 2

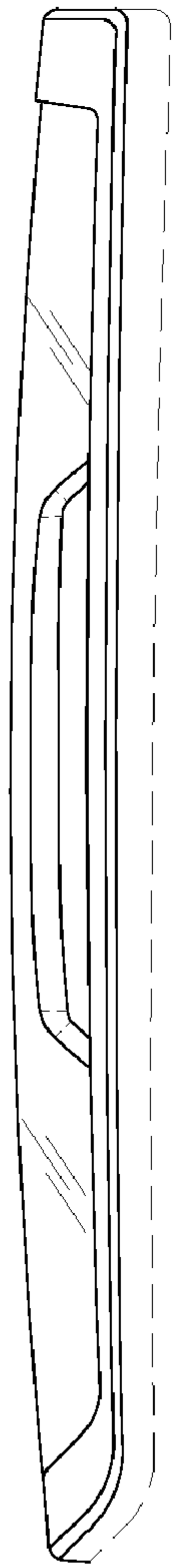


Fig. 3

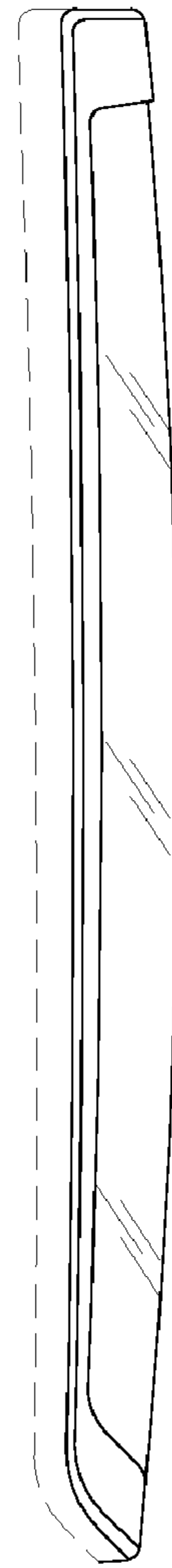


Fig. 4



Fig. 5