



US00D619312S

(12) **United States Design Patent**
Rodenkirch et al.

(10) **Patent No.:** **US D619,312 S**
(45) **Date of Patent:** **** Jul. 6, 2010**

(54) **FLOOR FINISH APPLICATOR**

(75) Inventors: **Douglas S. Rodenkirch**, Sun Prairie, WI (US); **Scott I. Biba**, Highland, WI (US); **Craig P. Conner**, Madison, WI (US); **Daniel R. Nett**, Sun Prairie, WI (US); **Nicholas S. Reback**, Monona, WI (US)

5,064,123 A * 11/1991 Aiello et al. 239/706
D324,053 S * 2/1992 Smrt D15/13
5,217,238 A * 6/1993 Cyphers et al. 280/47.18
D341,913 S 11/1993 Swan
D349,711 S * 8/1994 Torntore et al. D15/13
5,366,309 A * 11/1994 Springall 401/48

(73) Assignee: **Diversey, Inc.**, Sturtevant, WI (US)

(Continued)

(**) Term: **14 Years**

FOREIGN PATENT DOCUMENTS

(21) Appl. No.: **29/326,990**

WO 03/106042 12/2003

(22) Filed: **Oct. 28, 2008**

OTHER PUBLICATIONS

Related U.S. Application Data

Pages 1-10 of an Owner's Manual entitled Ultra-Trak Model 5000, dated Mar. 4, 2005.

(63) Continuation of application No. 29/282,454, filed on Jul. 20, 2007, now Pat. No. Des. 580,605.

(Continued)

(51) **LOC (9) Cl.** **15-05**

(52) **U.S. Cl.** **D32/15**

(58) **Field of Classification Search** D32/15,
D32/16, 20; D15/13; 401/48, 139, 146;
239/146, 148

Primary Examiner—T. Chase Nelson
Assistant Examiner—Kathleen M Sims
(74) *Attorney, Agent, or Firm*—Gregory S. Bollis

See application file for complete search history.

(57) **CLAIM**

(56) **References Cited**

The ornamental design for a floor finish applicator, as shown and described.

U.S. PATENT DOCUMENTS

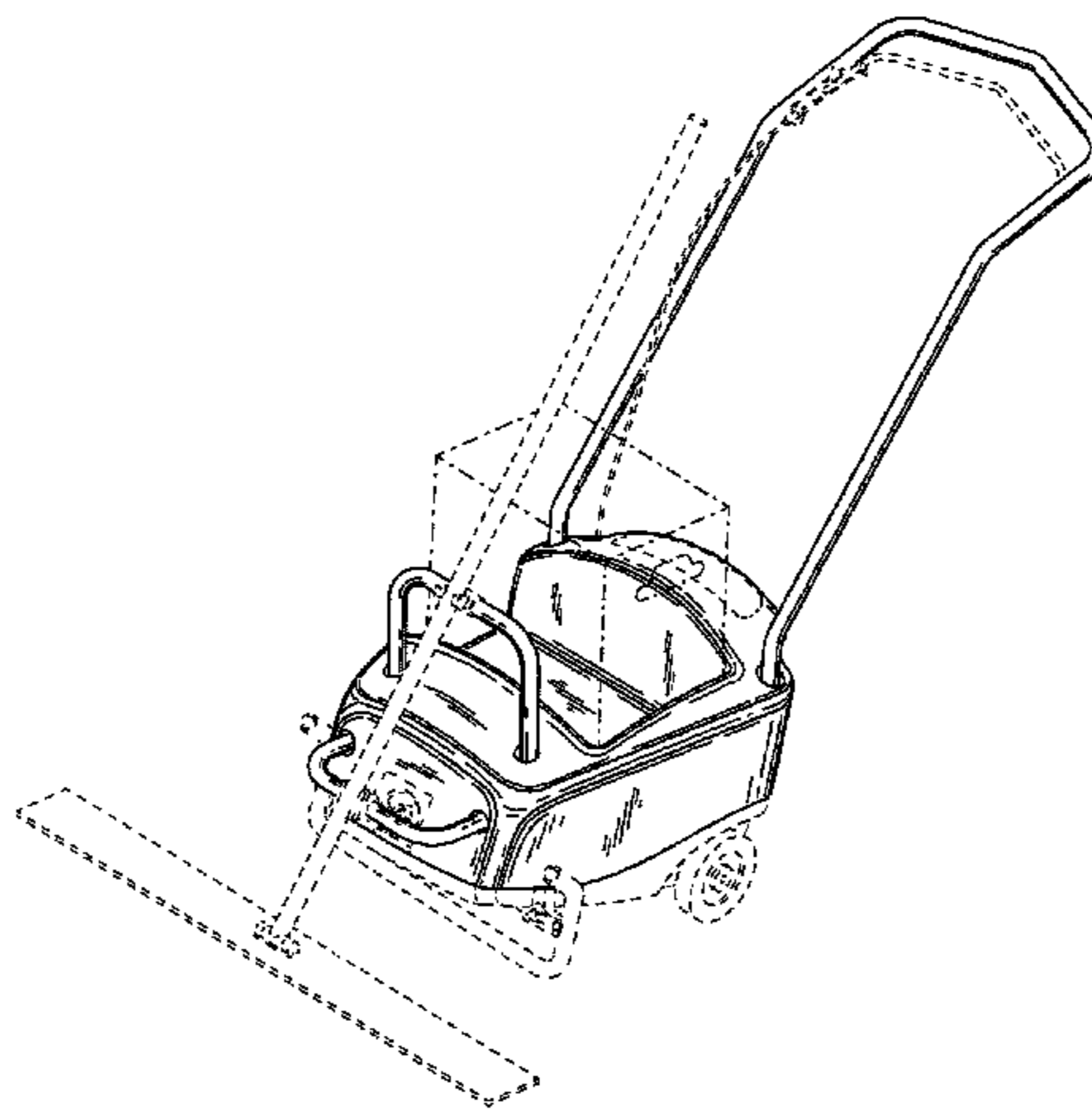
DESCRIPTION

2,979,756 A 4/1961 Wallis
3,457,015 A 7/1969 Taber
3,797,743 A 3/1974 Kommers et al.
D232,938 S 9/1974 Hettich
D234,513 S 3/1975 Kommers
D235,996 S 7/1975 Schneider
3,912,402 A * 10/1975 English 401/139
3,940,065 A 2/1976 Ware et al.
D241,439 S 9/1976 Ware et al.
3,981,596 A 9/1976 Melton
4,124,315 A 11/1978 Melton
D262,627 S 1/1982 David et al.
4,471,713 A 9/1984 Cote et al.
4,588,318 A 5/1986 O'Brien et al.
D307,590 S 5/1990 Ridgeon

FIG. 1 is right, front perspective view of a floor finish applicator embodying our new design;
FIG. 2 is a front elevational view thereof;
FIG. 3 is a rear elevational view thereof;
FIG. 4 is a right side elevation view thereof;
FIG. 5 is a left side elevational view thereof; and,
FIG. 6 is a top plan view thereof.

The broken line representations are for illustration only and forms no part of the claimed design.

1 Claim, 5 Drawing Sheets



U.S. PATENT DOCUMENTS

6,017,163 A 1/2000 Keppers et al.
6,070,808 A 6/2000 Kildow
6,279,838 B1 8/2001 Sivells et al.
D570,560 S * 6/2008 Dammkoehler et al. D32/20
D609,984 S * 2/2010 Magness D8/2

OTHER PUBLICATIONS

Two pages showing an advertisement of the KiaMotion II Kaivac Cleaning Systems dated Feb. 14, 2006.

Two pages showing an advertisement of the KiaMotion Kaivac Cleaning Systems dated Feb. 14, 2006.

One page of an advertisement showing the Hillyard Multi-Flo Automated Applicator, undated.

One page of an advertisement showing the Hillyard, The Cleaning Resource dated Feb. 14, 2006.

One page of a Newsletter showing the KiaMotion SUV Kiavac Cleaning Systems dated Feb. 14, 2006.

<http://www.hillyard.com/images/product/HIL50124.jpg> Jan. 4, 2008.

<http://www.hillyard.com> Jan. 4, 2008.

* cited by examiner

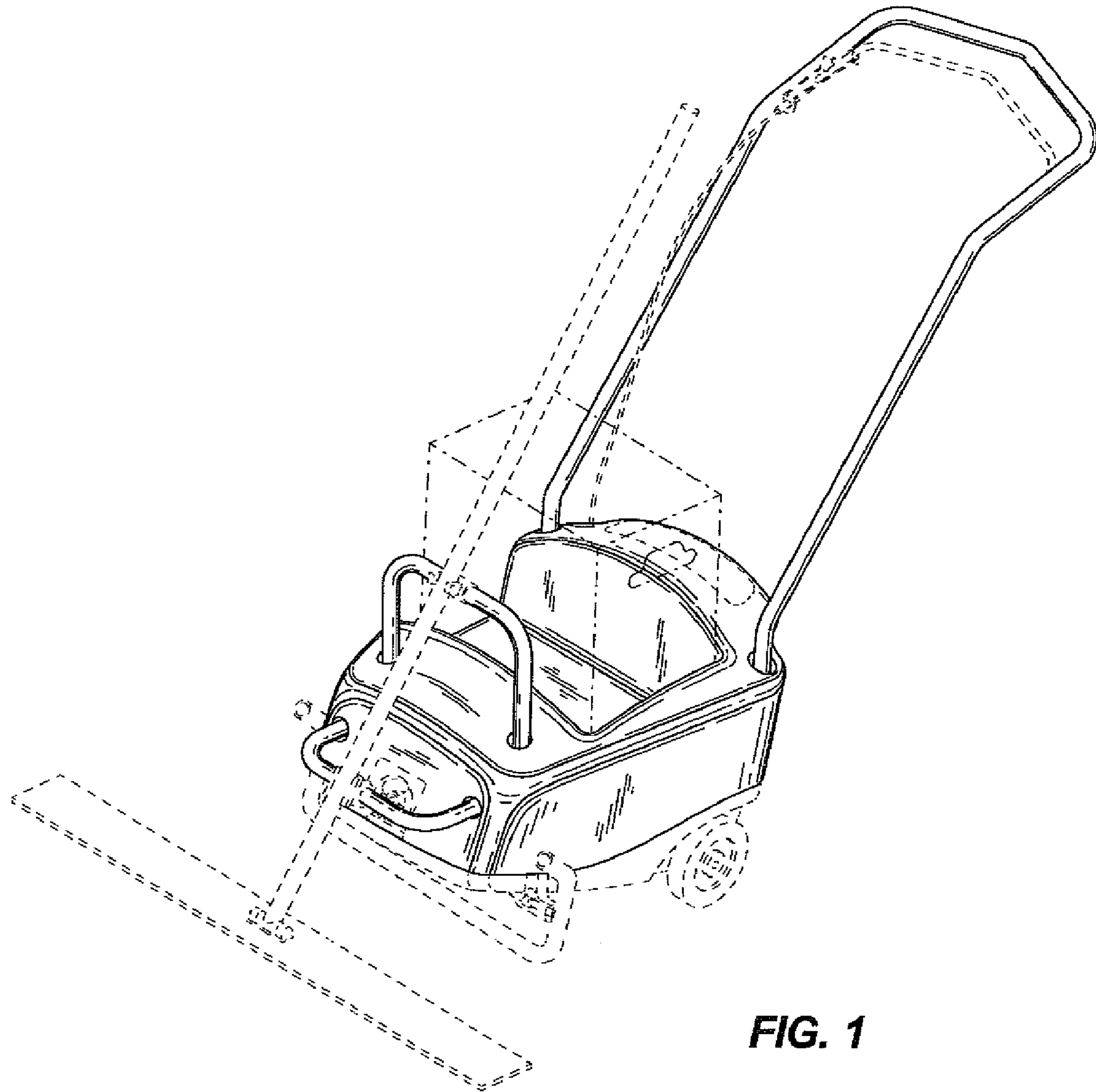


FIG. 1

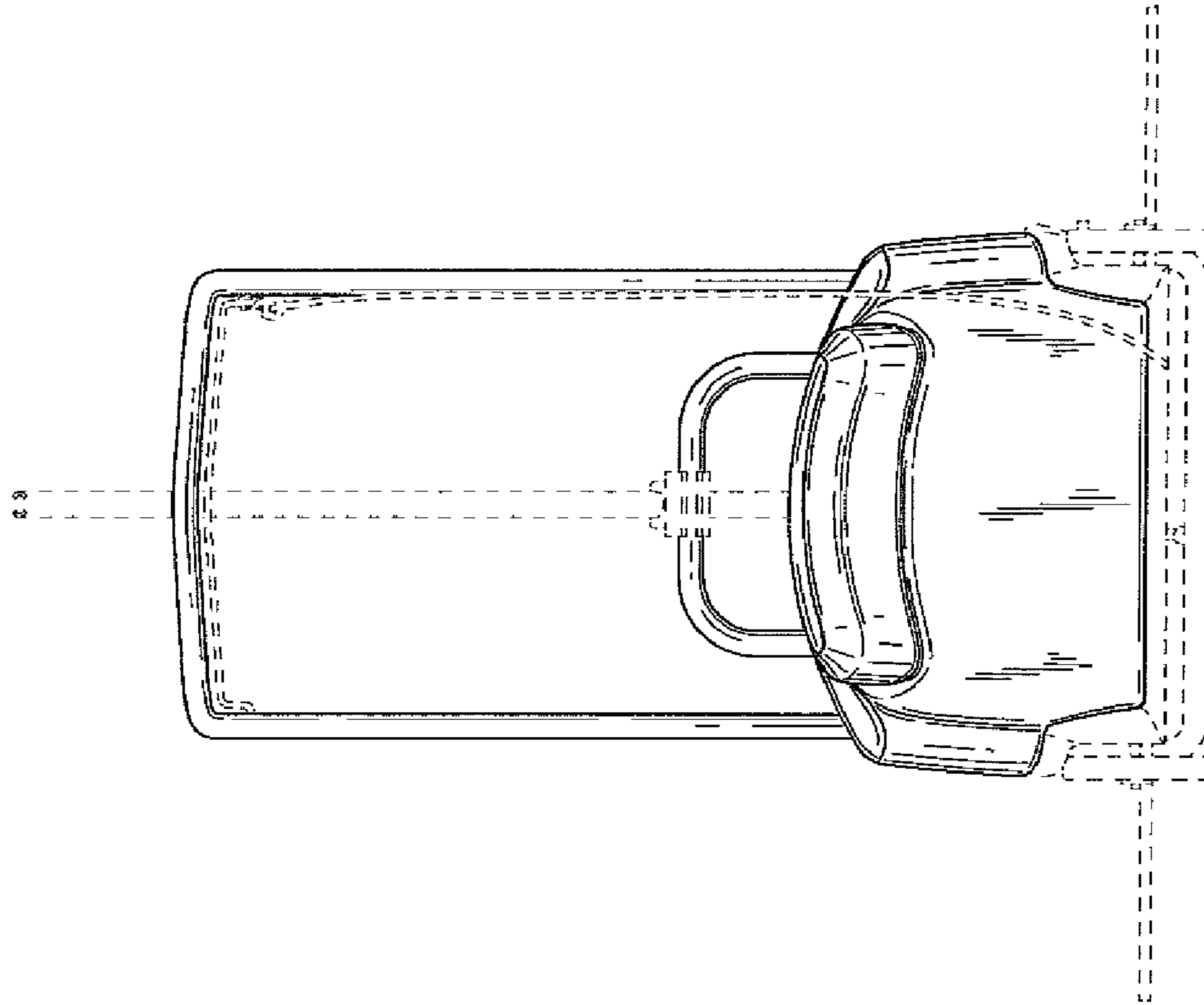


FIG. 2

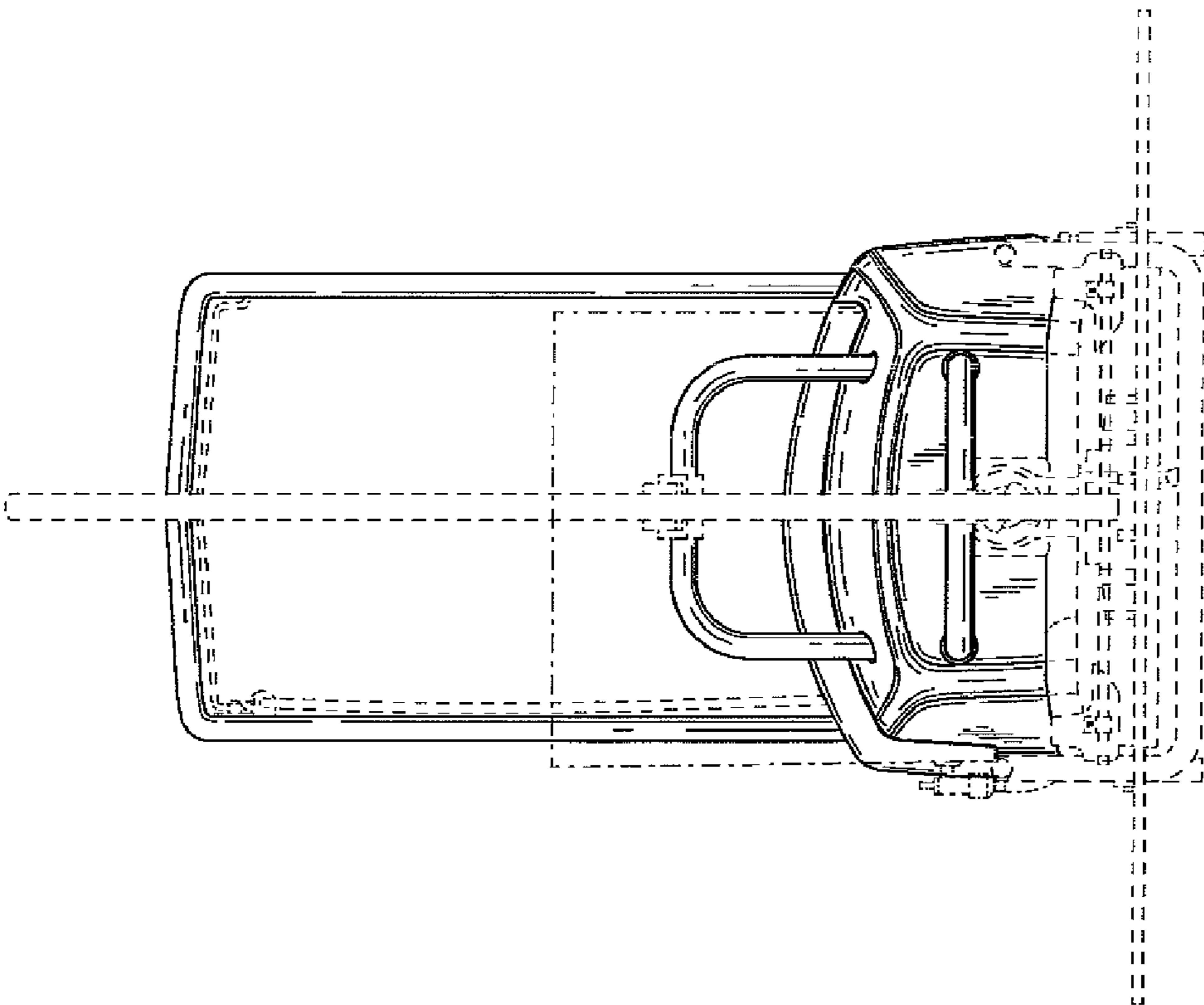


FIG. 3

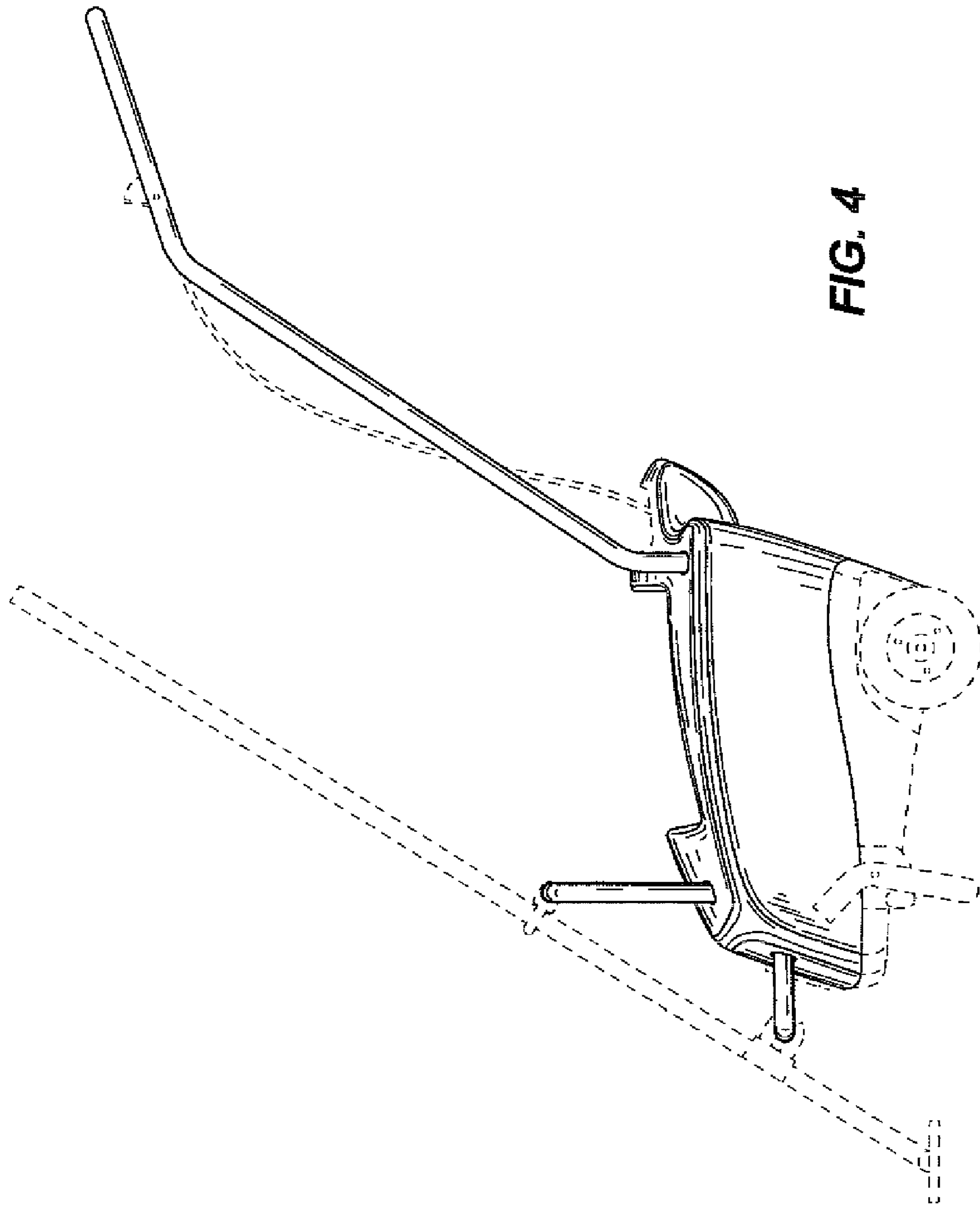
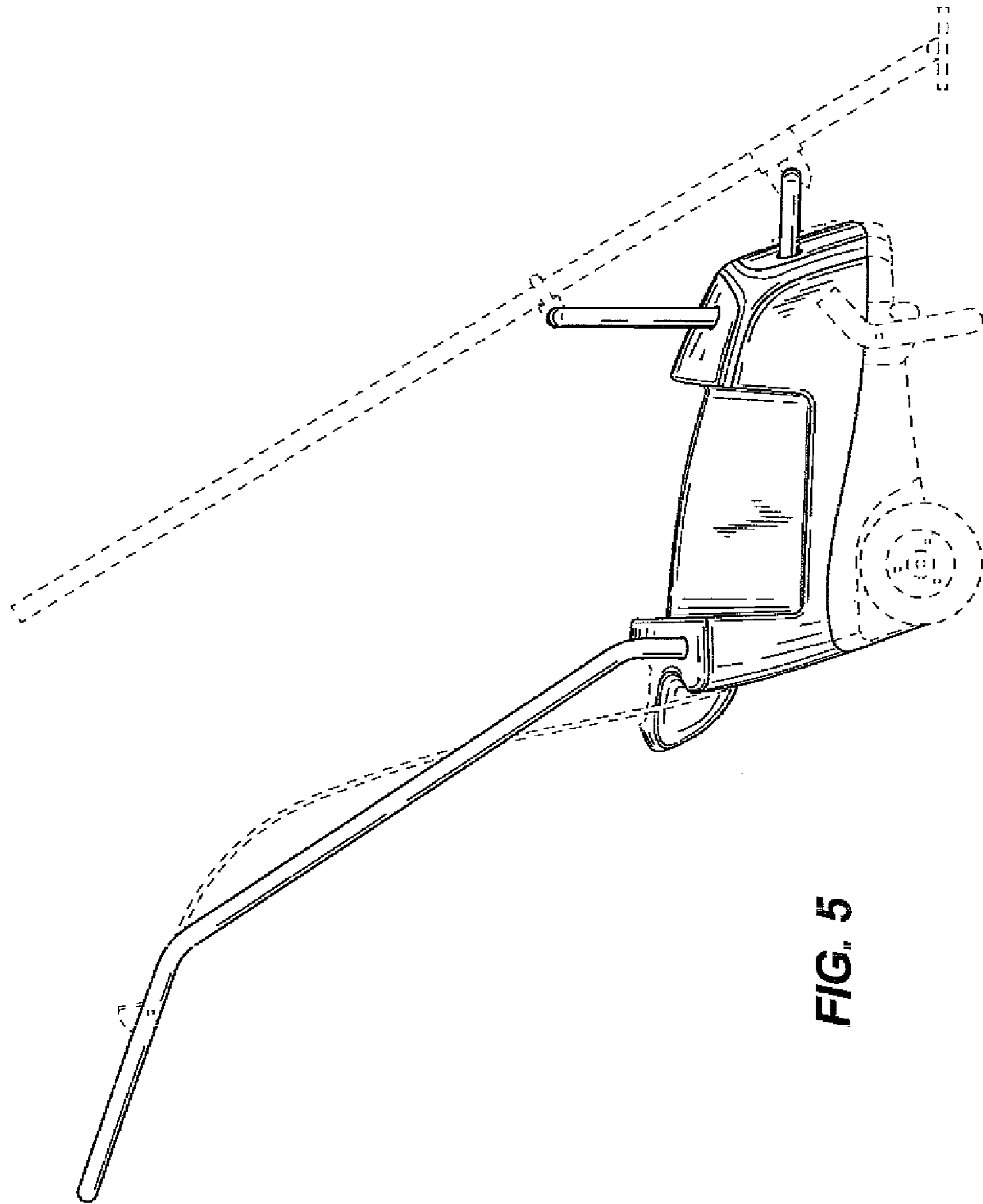


FIG. 4



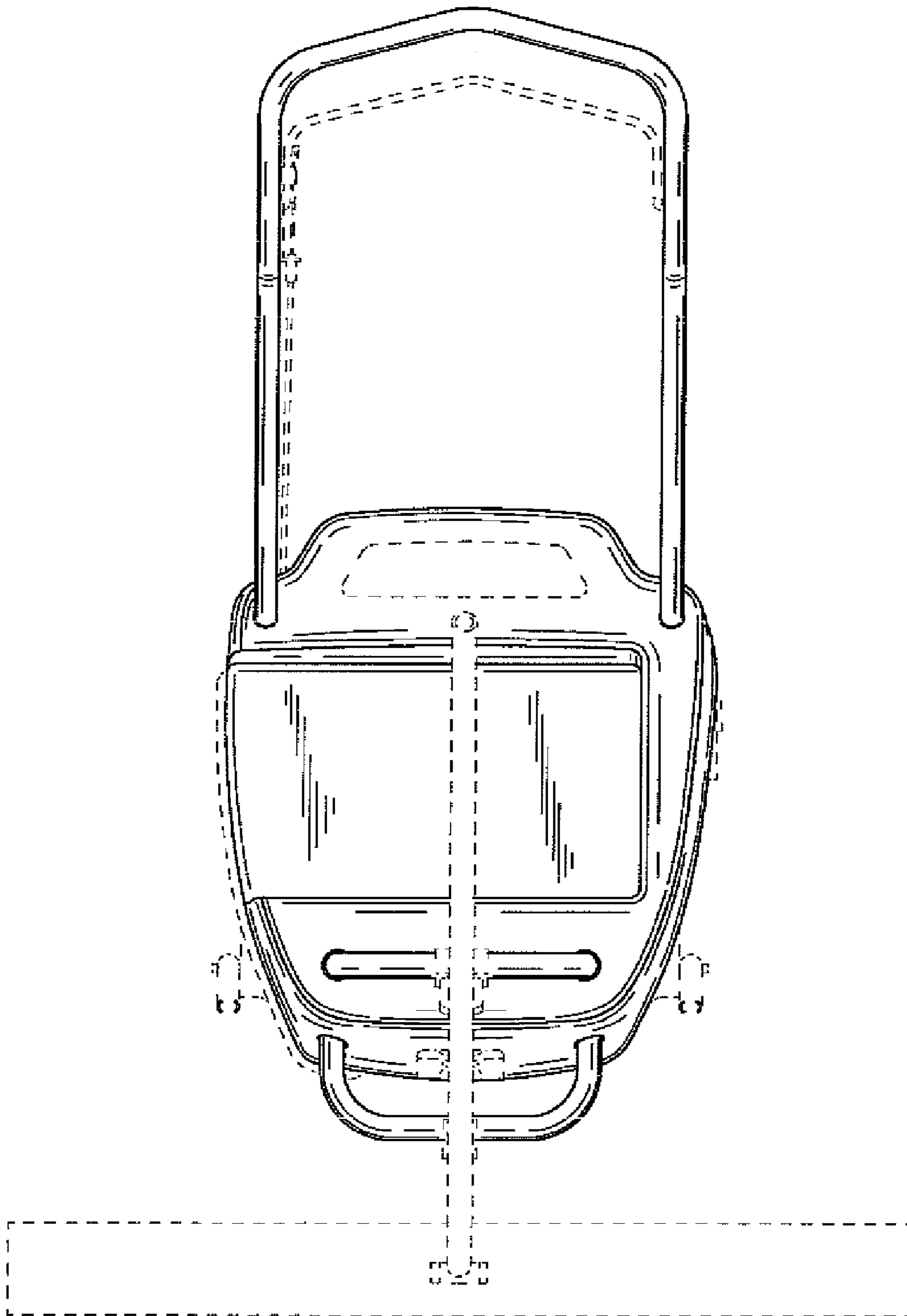


FIG. 6