

US00D619309S

(12) **United States Design Patent**
Vandervoet

(10) **Patent No.:** **US D619,309 S**

(45) **Date of Patent:** **** Jul. 6, 2010**

(54) **DEVICE FOR GROOMING THE COATS OF ANIMALS**

3,491,725 A * 1/1970 Maniscalco 119/625
6,199,513 B1 * 3/2001 Nichols 119/625

(76) Inventor: **Dorrie Vandervoet**, 4513 A Russell Dr.,
Austin, TX (US) 78745

* cited by examiner

Primary Examiner—Susan Moon Lee

(74) *Attorney, Agent, or Firm*—Lee & Hayes, PLLC

(**) Term: **14 Years**

(21) Appl. No.: **29/353,849**

(57) **CLAIM**

(22) Filed: **Jan. 14, 2010**

I claim the ornamental design for a device for grooming the coats of animals, as shown and described.

Related U.S. Application Data

DESCRIPTION

(63) Continuation of application No. 11/676,278, filed on Feb. 17, 2007.

FIG. 1 is a front perspective view of a device for grooming the coats of animals according to one implementation showing a handle in broken lines for context;

(51) **LOC (9) Cl.** **30-99**

(52) **U.S. Cl.** **D30/158**

FIG. 2 is a rear perspective view of a device for grooming the coats of animals according to one implementation showing a handle in broken lines for context;

(58) **Field of Classification Search** D30/158,

D30/159, 199, 162, 106; 119/625, 633, 600,

119/617, 628, 632, 631, 613, 618, 619, 620;

132/126, 142; 30/114, 130, 301, 305, 315,

30/316, 299, 303, 306, 169, 322, 31, 30,

30/27, 9.2, 280, 287, 294; D7/672-676,

D7/687, 686, 634, 619, 688, 653; 425/298;

426/503; D4/136, 127, 124-126; D32/42,

D32/25; D23/261; 2/160; 172/379, 380;

D6/415, 410, 411; 294/1.3, 1.5, 55, 99.1,

294/49, 7, 9, 99.2, 118, 119, 19.2, 52; 209/418;

D24/211, 147; D21/532, 398; D19/36; 34/381,

34/103, 104, 107; D11/104, 86; 56/400.01,

56/400.1, 400.17, 400.21, 400.05, 400.04,

56/330; 403/329, 326, 361; 15/402, 142,

15/236.07, 236.08, 236.05; 601/137, 136,

601/80, 93, 95, 97, 101, 103, 138, 143-147;

D28/91.2, 63, 52; D8/13, 6, 10, 11, 12, 1;

126/173, 214 C, 25 R; 99/450

See application file for complete search history.

FIG. 3 is right side elevation view of a device for grooming the coats of animals according to one implementation showing a handle in broken lines for context;

FIG. 4 is left side elevation view of a device for grooming the coats of animals according to one implementation showing a handle in broken lines for context;

FIG. 5 is front side elevation view of a device for grooming the coats of animals according to one implementation showing a handle in broken lines for context;

FIG. 6 is rear side elevation view of a device for grooming the coats of animals according to one implementation showing a handle in broken lines for context;

FIG. 7 is top elevation view of a device for grooming the coats of animals according to one implementation showing blade containment apparatus in broken lines for context; and,

FIG. 8 is bottom elevation view of a device for grooming the coats of animals according to one implementation showing blade containment apparatus in broken lines for context.

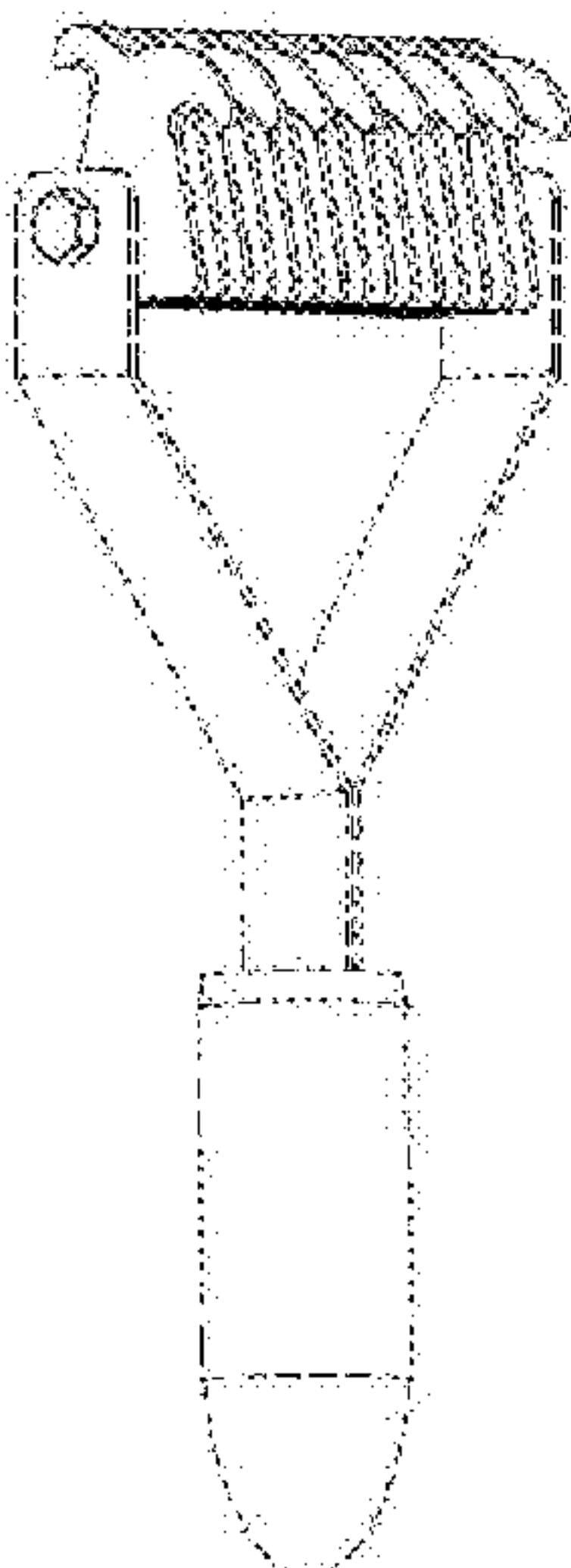
The elements in broken line are not claimed.

(56) **References Cited**

U.S. PATENT DOCUMENTS

D187,744 S * 4/1960 Mendenhall D8/9

1 Claim, 5 Drawing Sheets



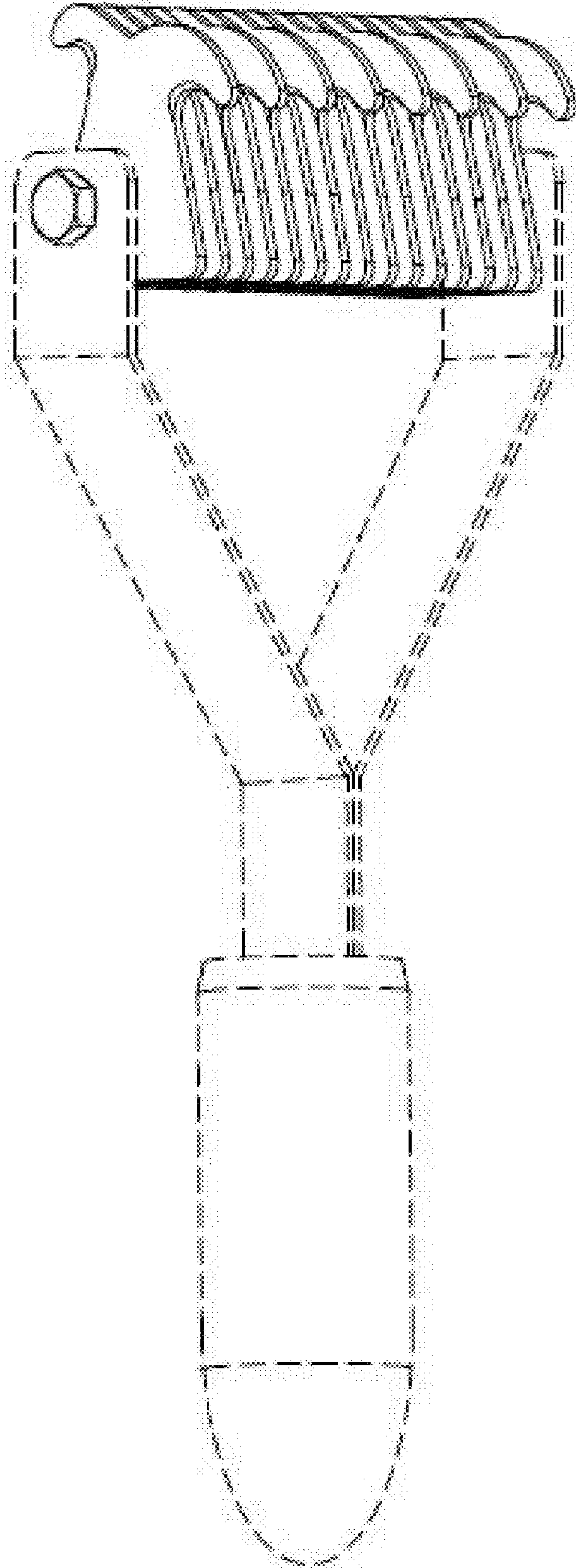


FIG. 1

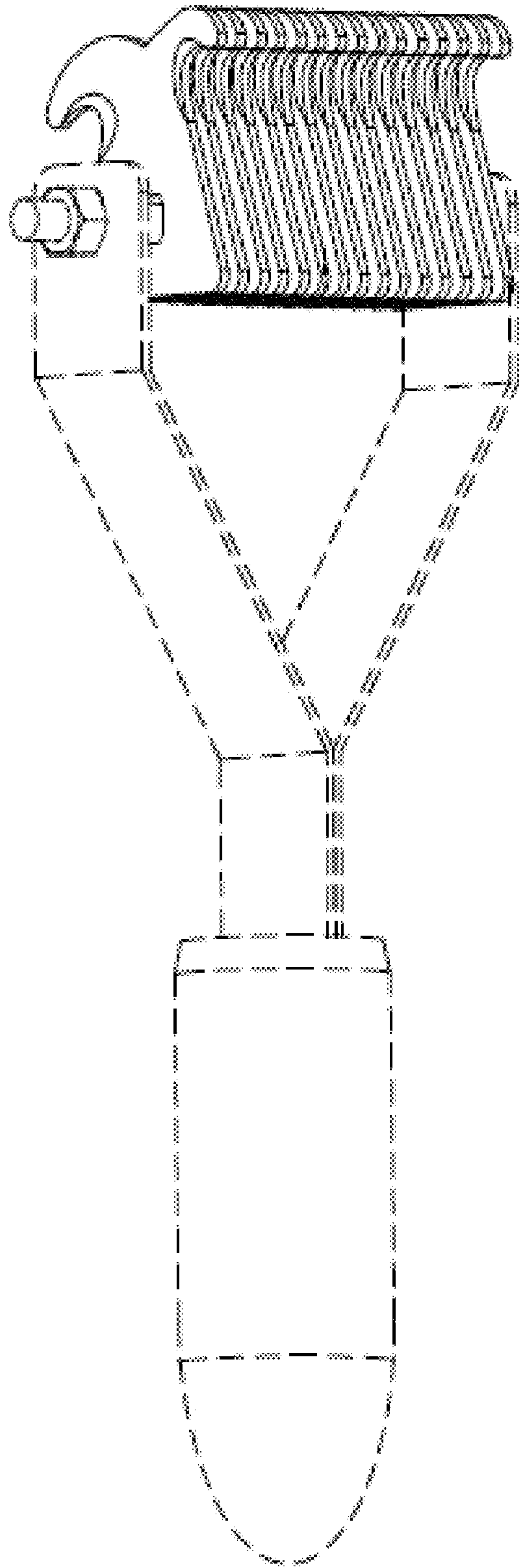


FIG. 2

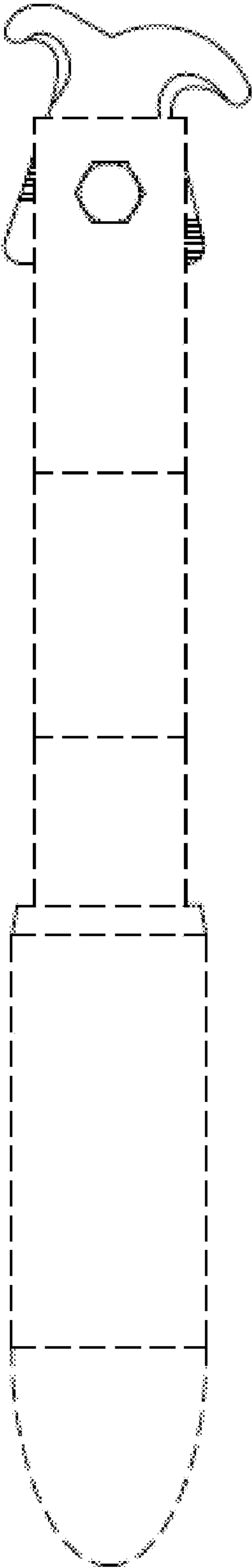


FIG. 3

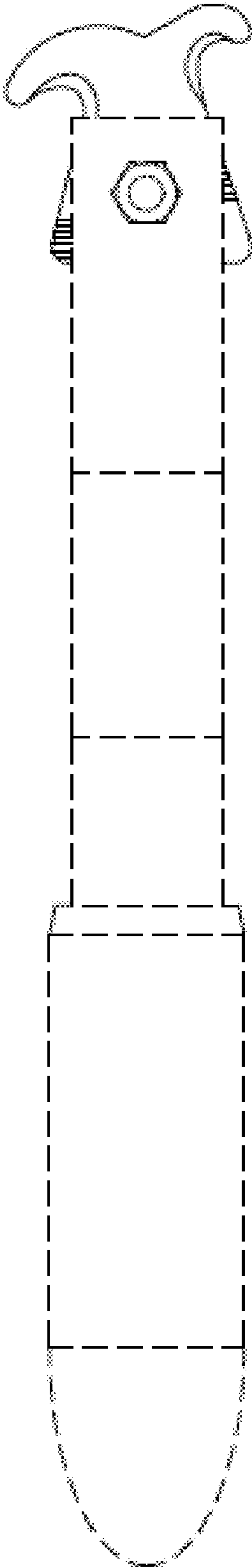


FIG. 4

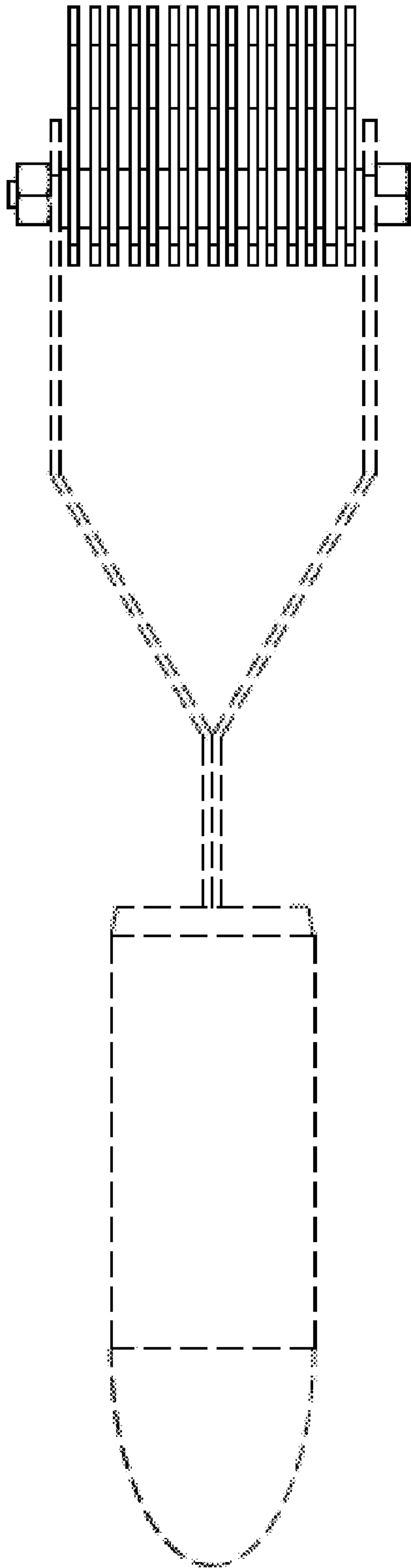


FIG. 5

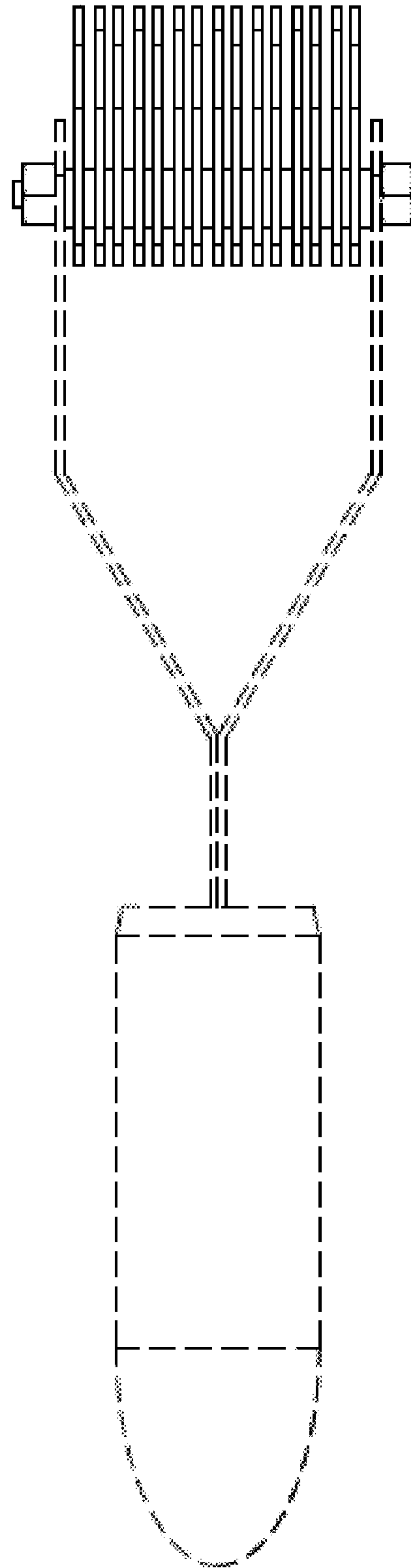


FIG. 6

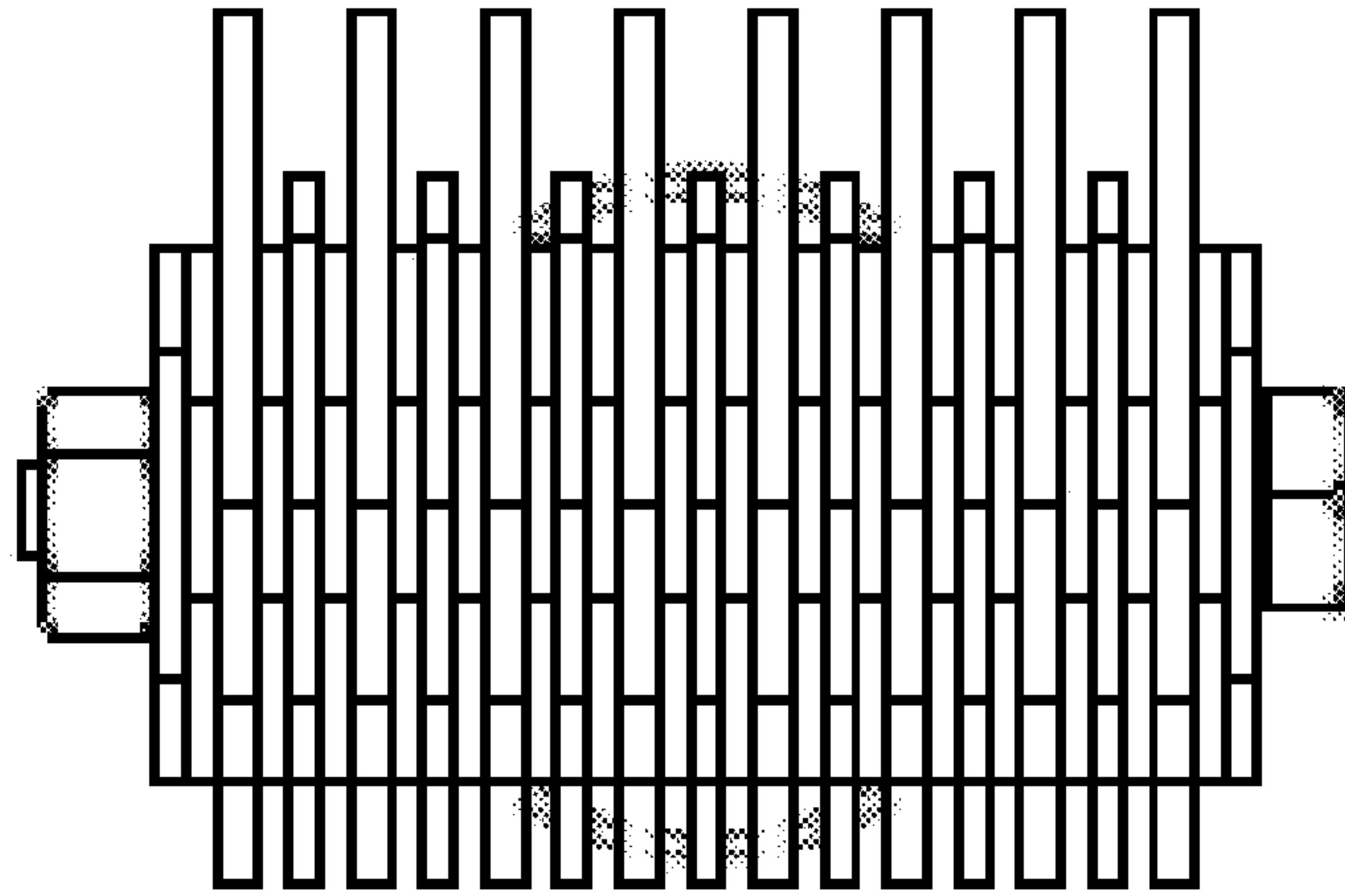


FIG. 7

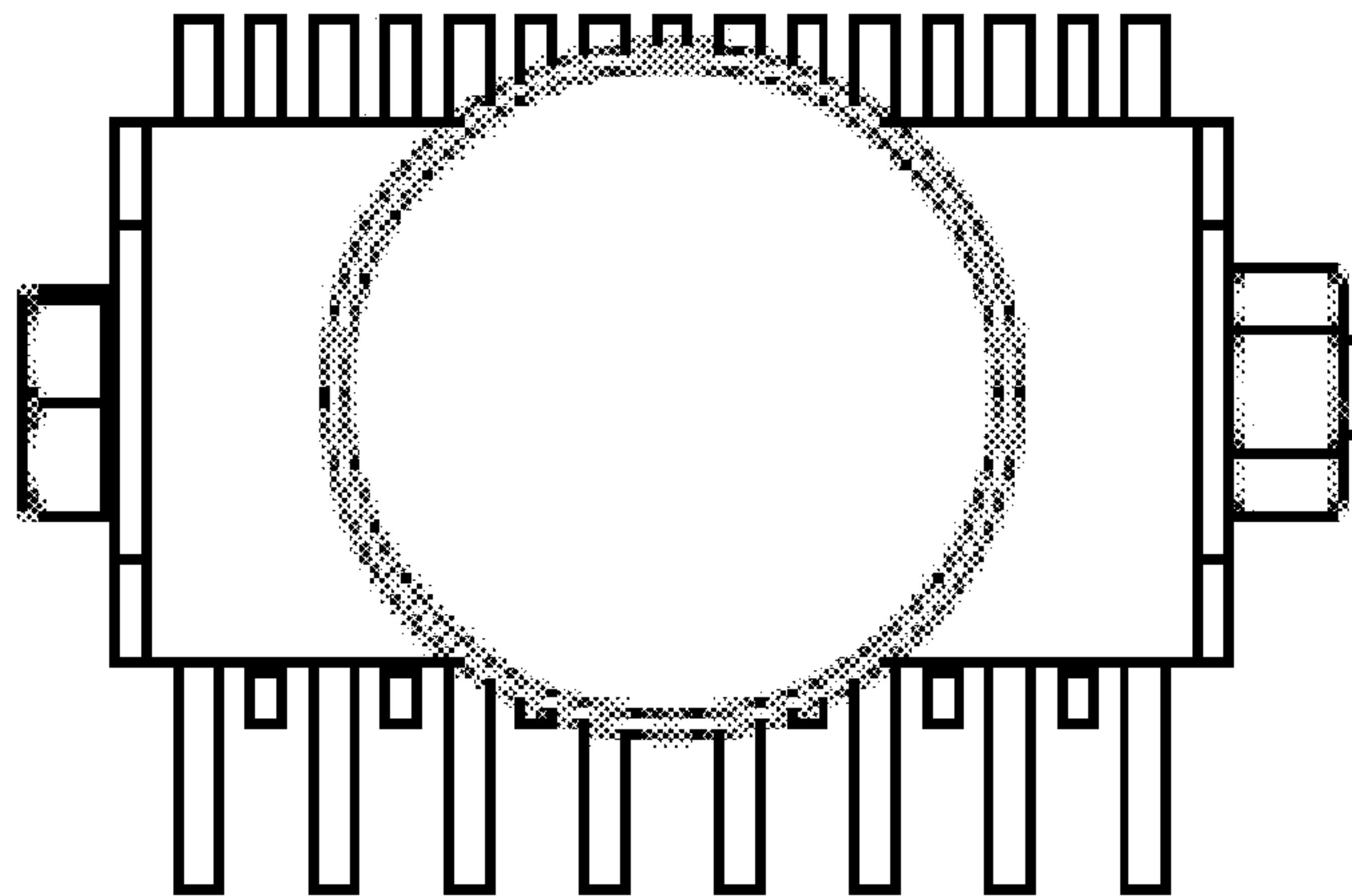


FIG. 8