



US00D619304S

(12) **United States Design Patent**
Shen

(10) **Patent No.:** **US D619,304 S**
(45) **Date of Patent:** **** Jul. 6, 2010**

(54) **TRIMMER COMB**

D591,907 S * 5/2009 Micinilio et al. D28/54

(75) Inventor: **Jia Jun Shen**, New Haven, CT (US)

* cited by examiner

(73) Assignee: **Eveready Battery Company, Inc.**, St. Louis, MO (US)

Primary Examiner—Jennifer Rivard
(74) *Attorney, Agent, or Firm*—Energizer Personal Care, LLC.

(**) Term: **14 Years**

(21) Appl. No.: **29/343,930**

(22) Filed: **Sep. 22, 2009**

(57) **CLAIM**

The ornamental design for the trimmer comb, as shown and described.

(51) **LOC (9) Cl.** **28-03**

(52) **U.S. Cl.** **D28/54**

(58) **Field of Classification Search** 30/200,
30/201, 196, 216, 210, 233, 233.5, 537, 34.05,
30/34.1, 34.2, 43–43.92; D28/44, 49–54
See application file for complete search history.

DESCRIPTION

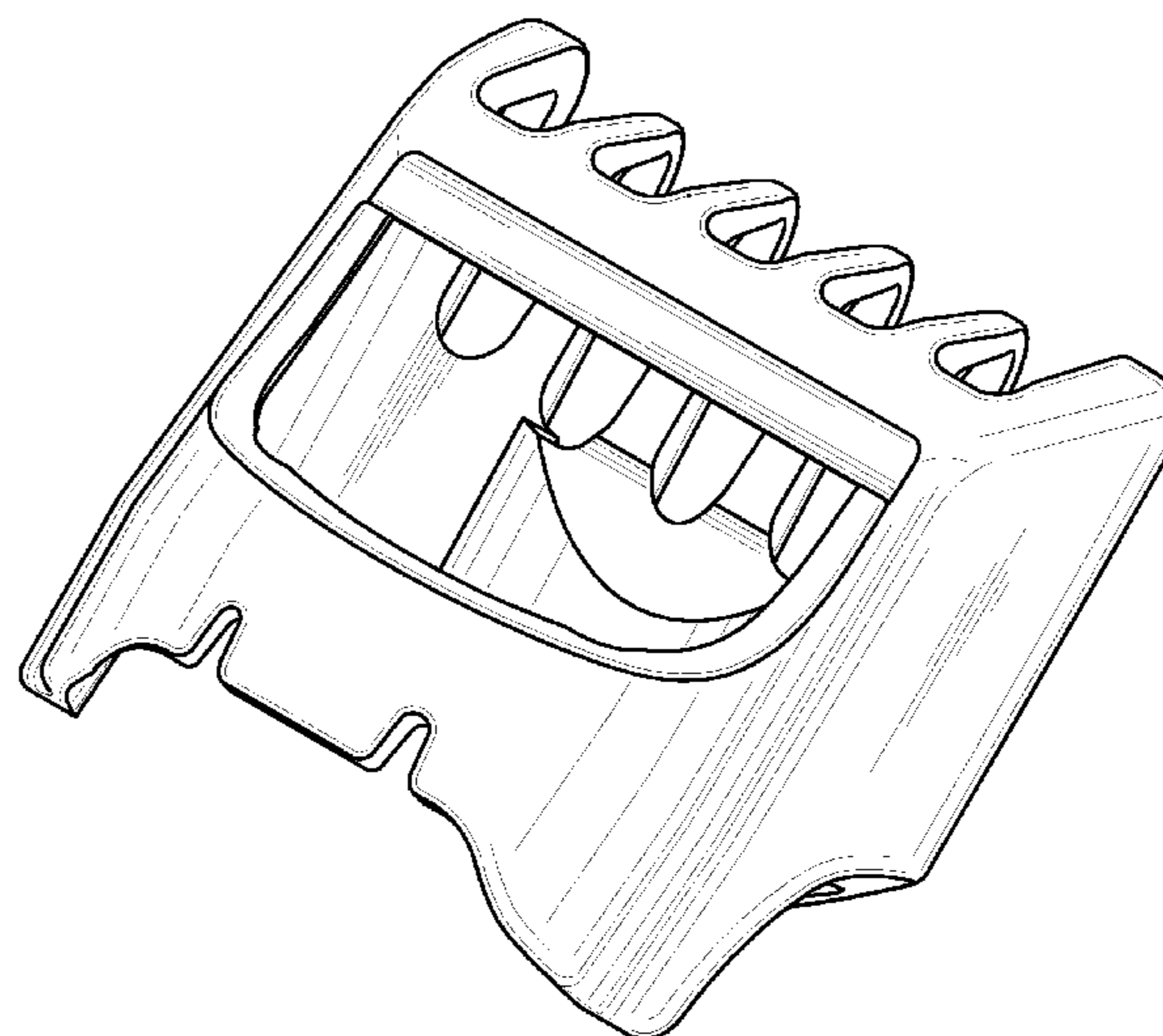
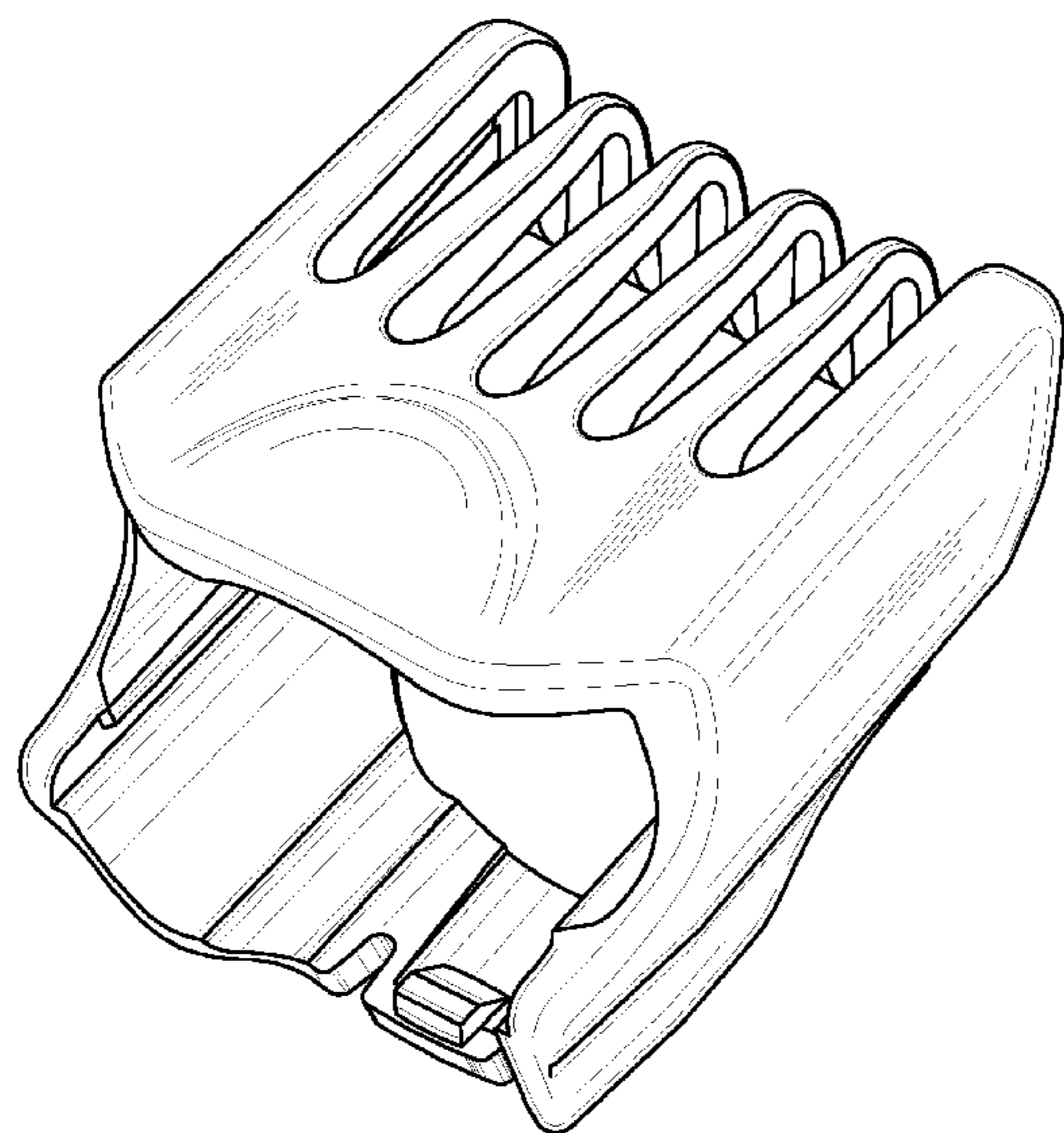
FIG. 1 is an upper perspective view of a trimmer comb.
FIG. 2 is a lower perspective view thereof.
FIG. 3 is a front view thereof.
FIG. 4 is a left view of FIG. 3.
FIG. 5 is a right view of FIG. 3.
FIG. 6 is a rear view thereof.
FIG. 7 is a bottom end view thereof; and,
FIG. 8 is a top end view thereof.

(56) **References Cited**

U.S. PATENT DOCUMENTS

D524,487 S * 7/2006 Seki et al. D28/54
D558,400 S * 12/2007 Micinilio D28/54
D574,557 S * 8/2008 Kling et al. D28/54
D591,455 S * 4/2009 Micinilio et al. D28/54

1 Claim, 4 Drawing Sheets



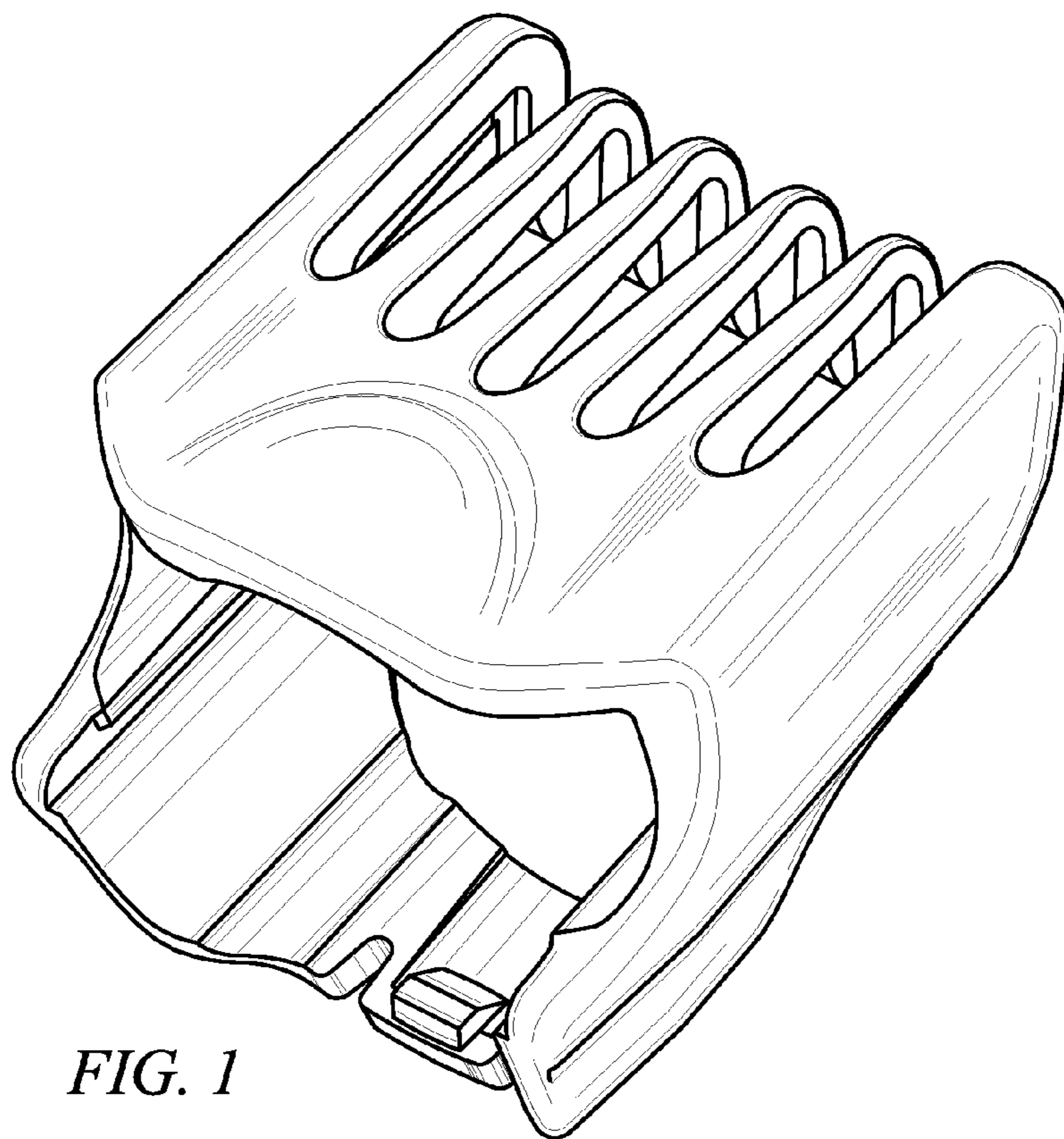


FIG. 1

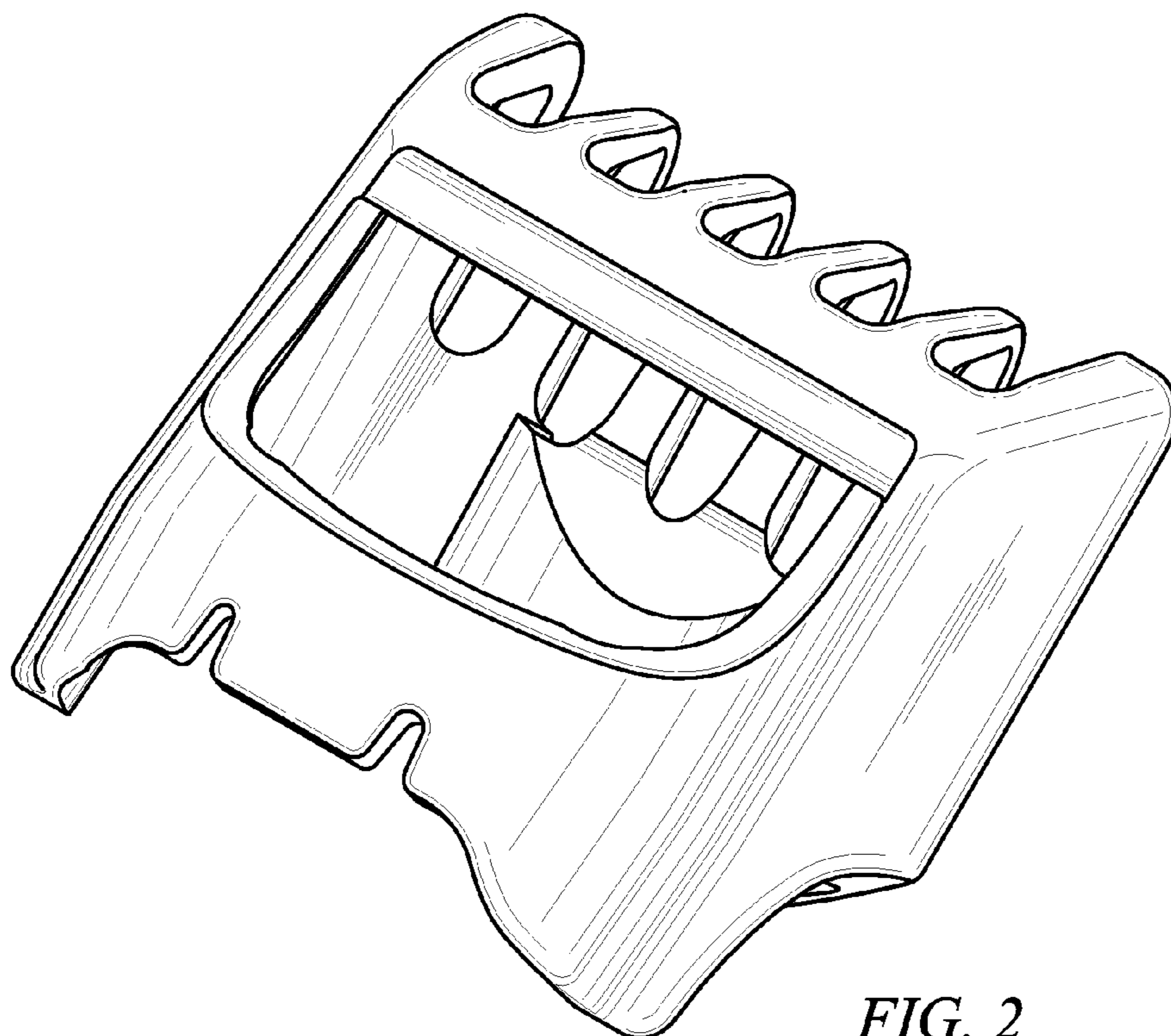


FIG. 2

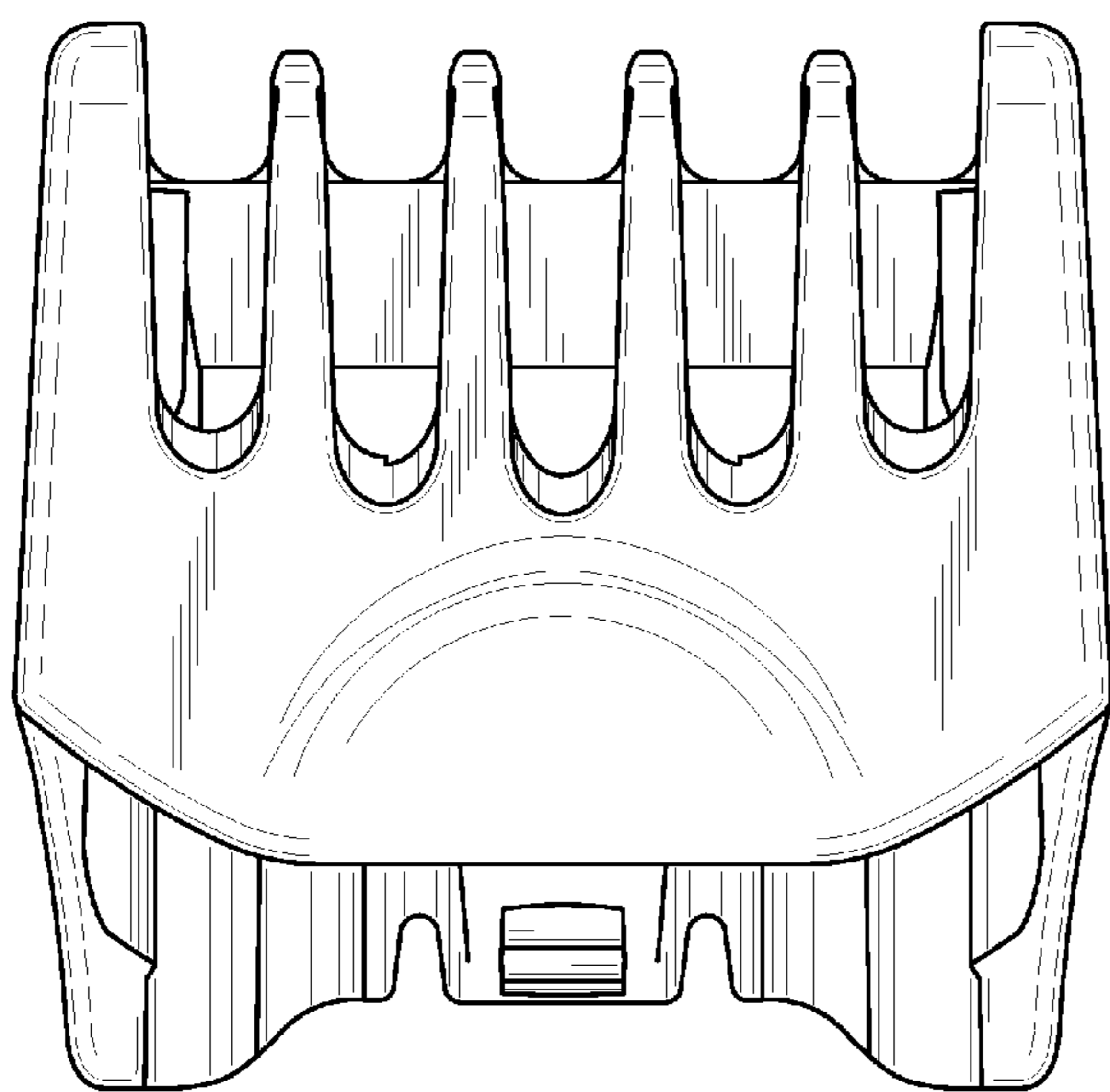


FIG. 3

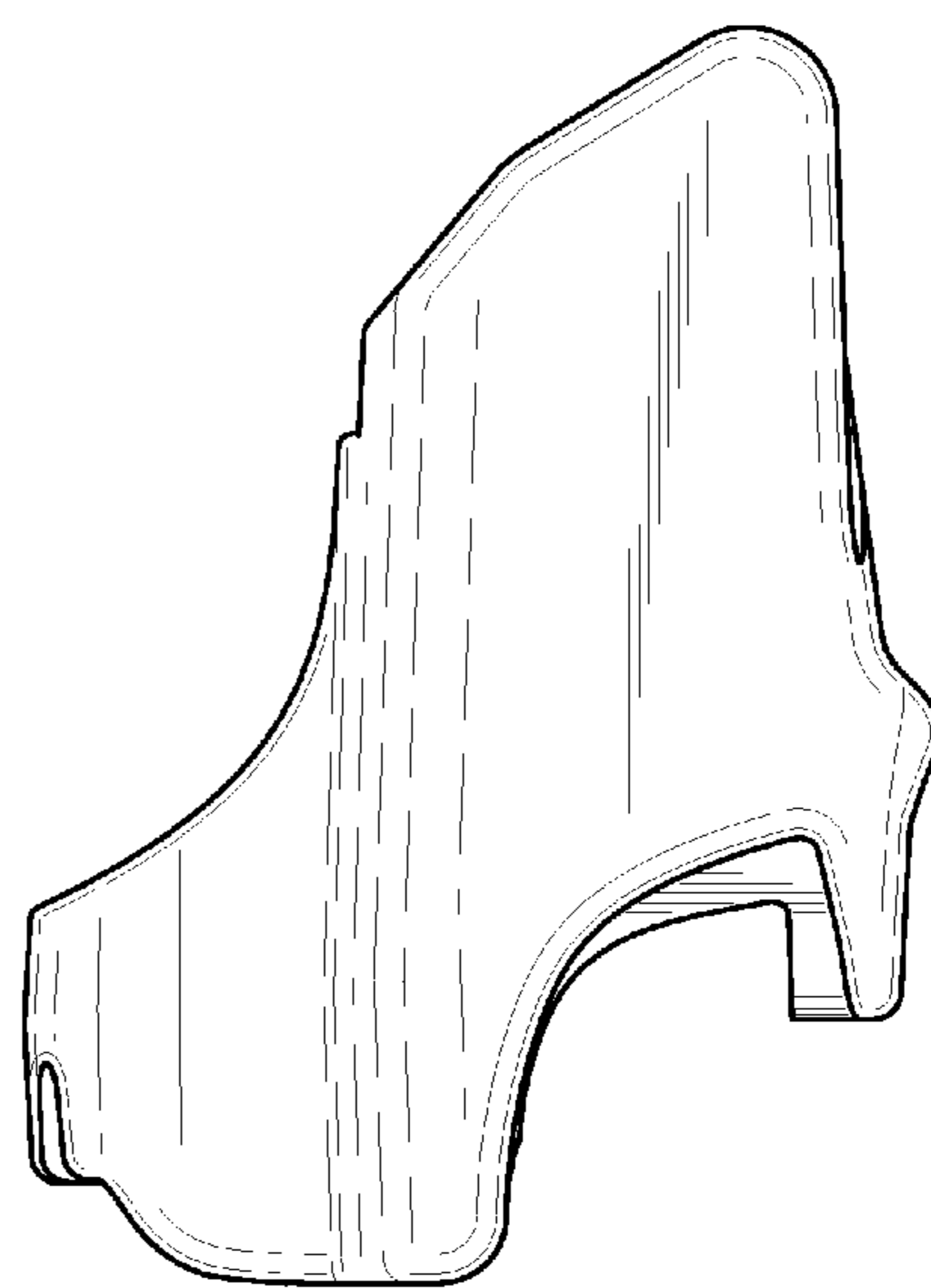


FIG. 4

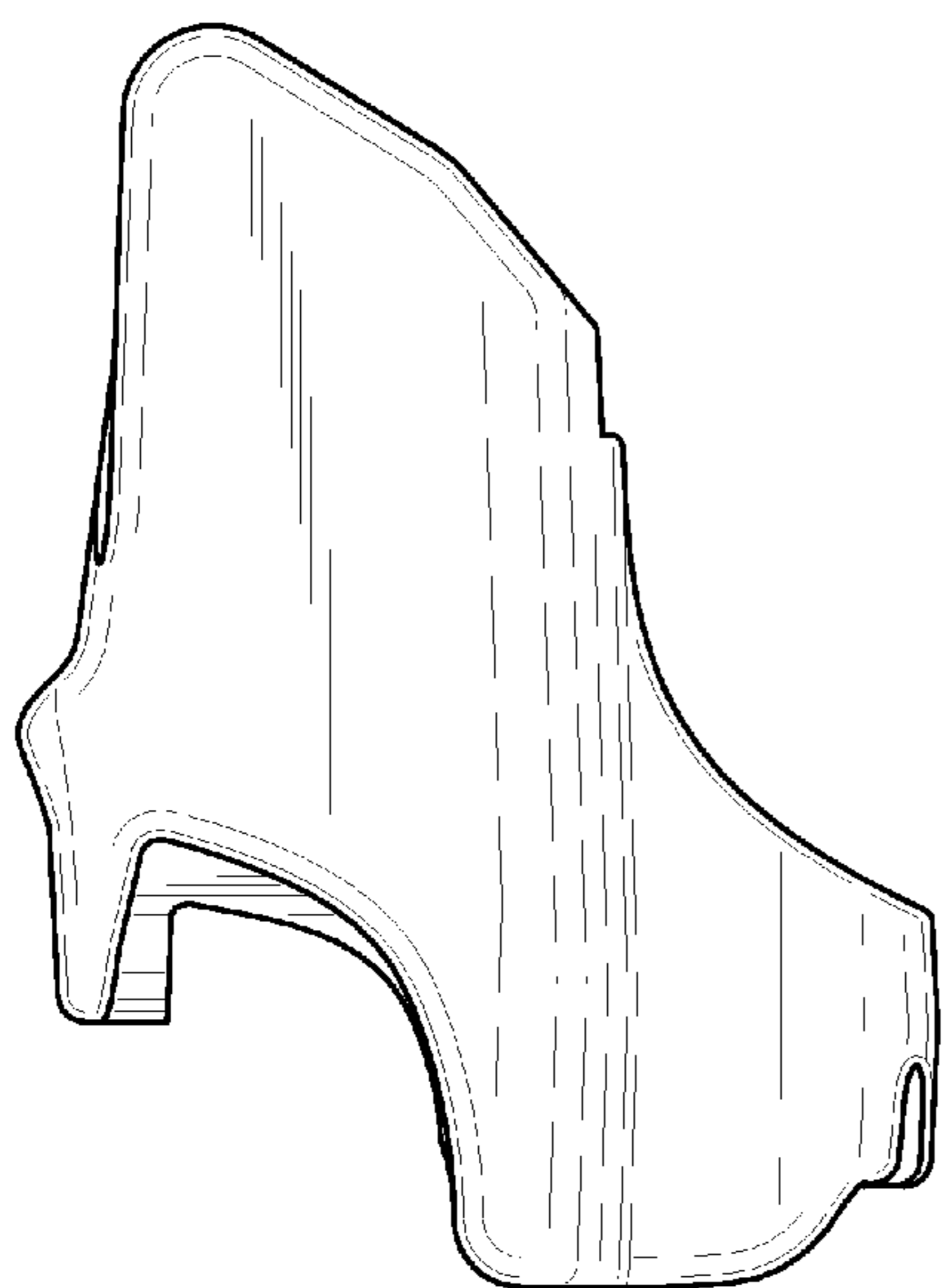


FIG. 5

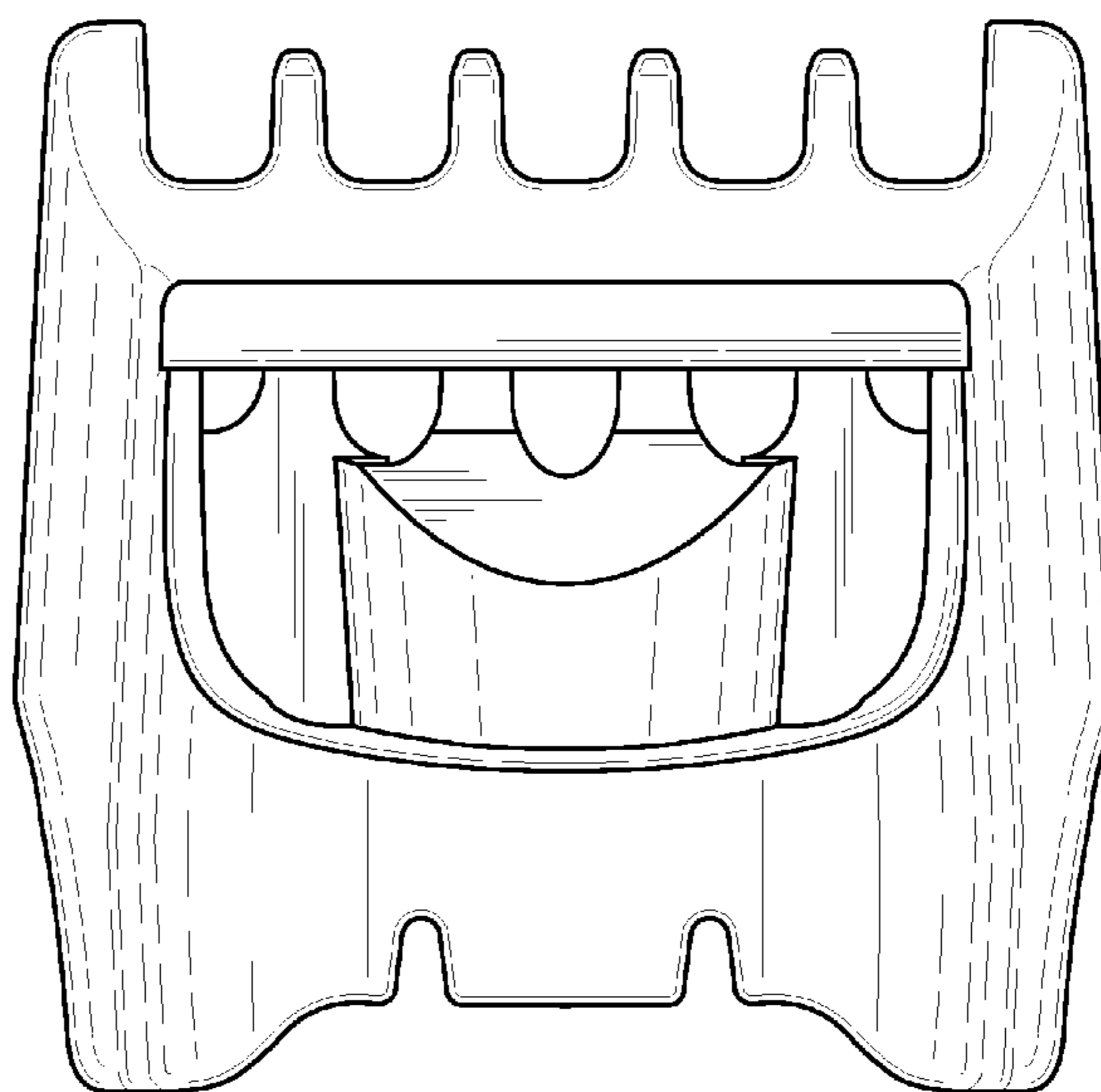


FIG. 6

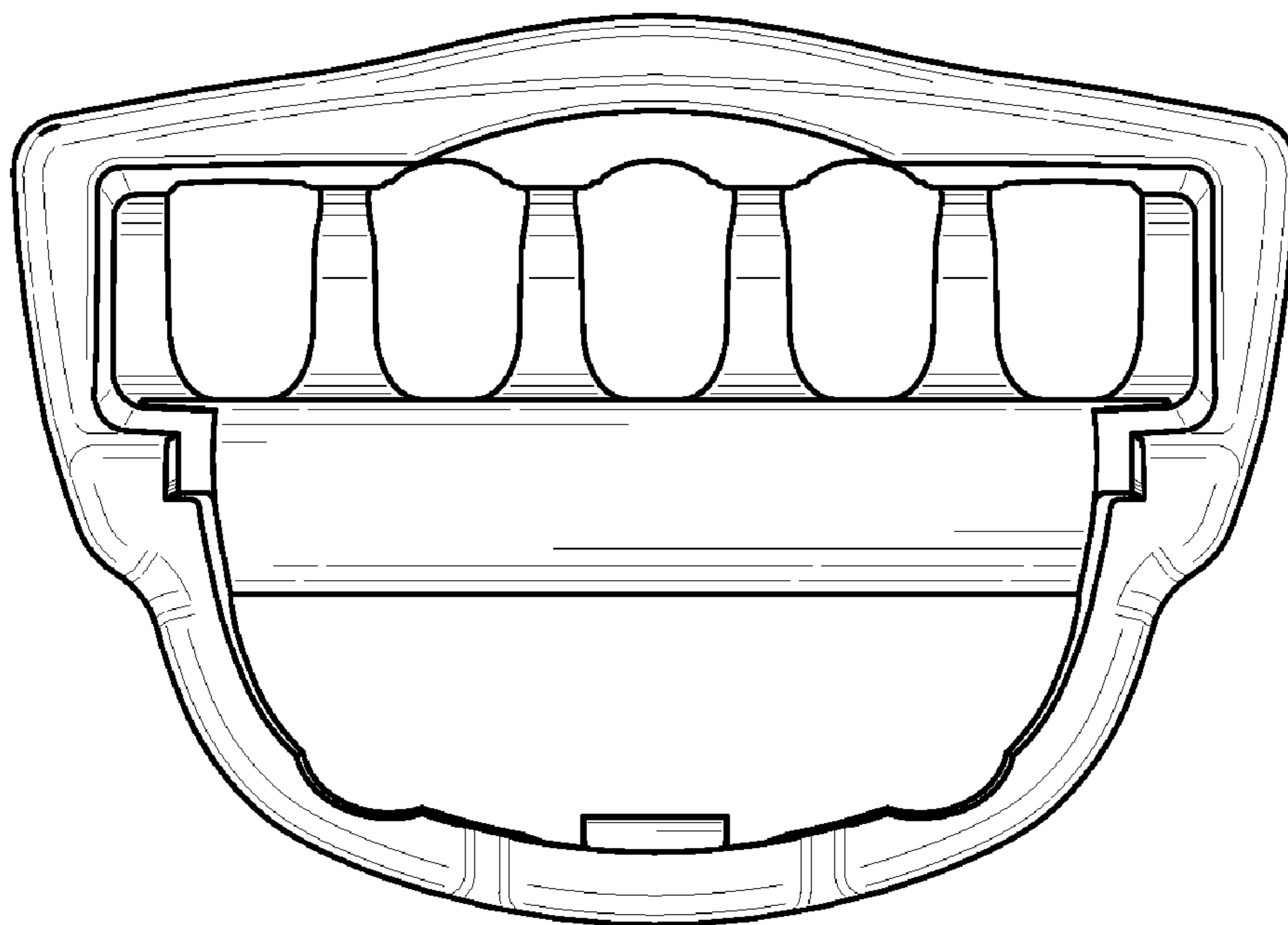


FIG. 7

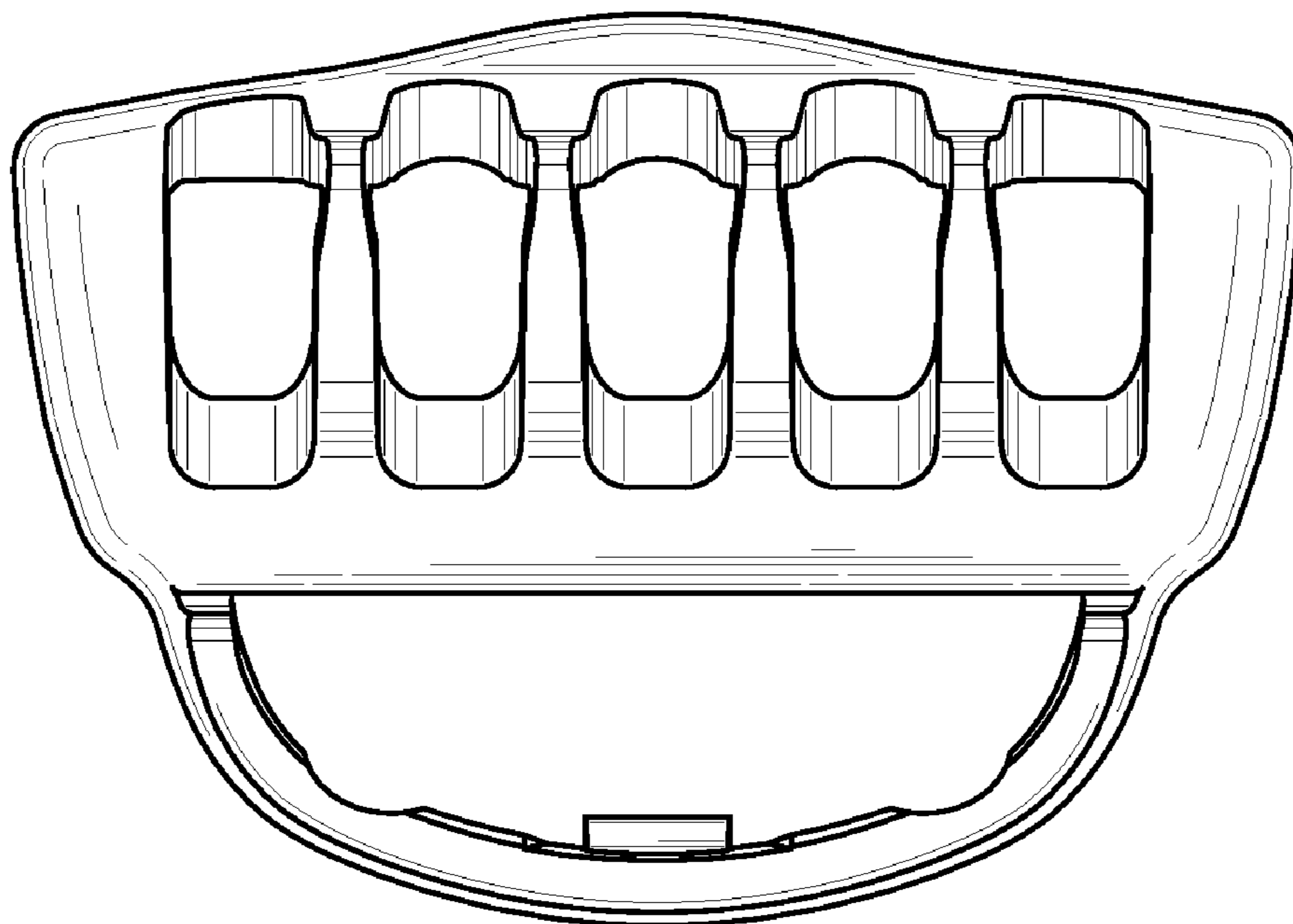


FIG. 8