



US00D619301S

(12) **United States Design Patent**  
**Wattam et al.**

(10) **Patent No.:** **US D619,301 S**  
(45) **Date of Patent:** **\*\* Jul. 6, 2010**

(54) **HAIR TRIMMING CARTRIDGE**

(75) Inventors: **Christopher Wattam**, London (GB);  
**Ian Anthony Goodhead**, Burton on  
Trent (GB); **Roy Nicoll**, Winnersh (GB)

(73) Assignee: **The Gillette Company**, Boston, MA  
(US)

(\*\*) Term: **14 Years**

(21) Appl. No.: **29/340,308**

(22) Filed: **Jul. 16, 2009**

(51) **LOC (9) Cl.** ..... **28-03**

(52) **U.S. Cl.** ..... **D28/47; D28/54**

(58) **Field of Classification Search** ..... 30/32,  
30/34.05, 34.1–34.2, 41, 44–46, 47–51, 57–58,  
30/77–84, 526–536, 537–539; D28/44–49,  
D28/54

See application file for complete search history.

(56) **References Cited**

**U.S. PATENT DOCUMENTS**

- 797,184 A 8/1905 Deneen
- 1,493,962 A 5/1924 Cowan
- 1,651,917 A \* 12/1927 Connolly ..... 30/81
- 1,683,980 A 9/1928 Kwartin
- 1,822,766 A 9/1931 Duffy
- 2,234,440 A 3/1941 Lewis
- 2,256,326 A 9/1941 Quinio
- 3,004,337 A 10/1961 Schweizer
- 3,165,831 A 1/1965 Carroll
- 3,279,055 A 10/1966 Penn
- D215,915 S \* 11/1969 Bilken ..... D28/46
- D216,658 S \* 2/1970 Edmondson ..... D28/46
- 3,947,960 A 4/1976 Urbaniak
- 3,953,926 A 5/1976 Kallikounis
- 4,709,475 A 12/1987 Phung
- 4,928,716 A 5/1990 Greene
- 5,359,774 A 11/1994 Althaus
- D353,225 S 12/1994 Doran et al.
- 5,386,750 A 2/1995 Morrison
- 6,058,608 A 5/2000 Wruck

- 6,076,109 A 6/2000 Kikinis
- 6,094,820 A 8/2000 Adachi
- 6,397,497 B1 6/2002 McAtee
- D467,387 S \* 12/2002 Wonderley ..... D28/45
- 6,530,151 B2 3/2003 Kameka
- D499,511 S 12/2004 Wakayama
- 6,928,738 B2 8/2005 Segrea
- D541,987 S 5/2007 Sugawara

(Continued)

**FOREIGN PATENT DOCUMENTS**

DE 3325934 A1 3/1985

(Continued)

**OTHER PUBLICATIONS**

U.S. Appl. No. 12/504,014, filed Jul. 16, 2009, Nicoll.

(Continued)

*Primary Examiner*—Jennifer Rivard  
(74) *Attorney, Agent, or Firm*—Dara M. Kendall; Kevin C. Johnson; Steven W. Miller

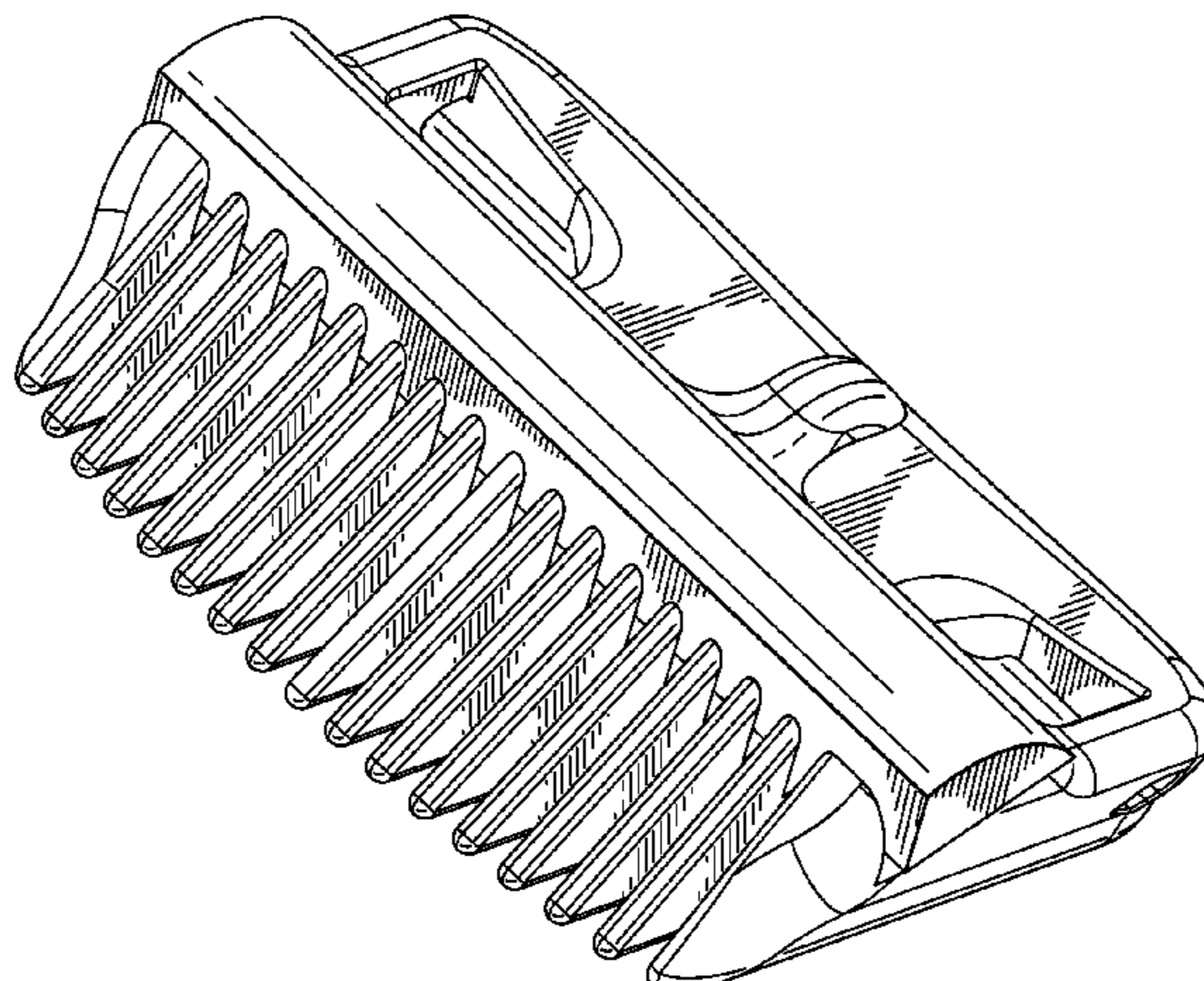
(57) **CLAIM**

The ornamental design for a hair trimming cartridge, as shown and described.

**DESCRIPTION**

FIG. 1 is a perspective view of a hair trimming cartridge of the present invention;  
FIG. 2 is a front elevational view thereof;  
FIG. 3 is rear elevational view thereof;  
FIG. 4 is a right side elevational view thereof;  
FIG. 5 is a left side elevational view thereof;  
FIG. 6 is a top plan view thereof; and,  
FIG. 7 is a bottom plan view thereof.

**1 Claim, 7 Drawing Sheets**



# US D619,301 S

Page 2

---

## U.S. PATENT DOCUMENTS

D601,753 S \* 10/2009 Cataudella et al. .... D28/47  
D602,634 S \* 10/2009 Cataudella et al. .... D28/46  
2002/0062568 A1 5/2002 Stiles  
2004/0035003 A1 2/2004 Stiles  
2006/0005394 A1 1/2006 Newkirk et al.  
2006/0130334 A1 6/2006 Park  
2006/0179661 A1 8/2006 Walker et al.  
2007/0006463 A1 1/2007 Pennella  
2007/0137045 A1 6/2007 Follo et al.  
2008/0016691 A1 1/2008 Pennella et al.  
2008/0078333 A1 4/2008 Wang

2008/0250644 A1\* 10/2008 Orloff et al. .... 30/34.1

## FOREIGN PATENT DOCUMENTS

DE 20300057 U1 4/2003  
DE 20311172 U1 10/2003  
DE 202005013297 1/2006  
JP 2000167269 A2 6/2000

## OTHER PUBLICATIONS

U.S. Appl. No. 29/340,306, filed Jul. 16, 2009, Nicoll.  
U.S. Appl. No. 29/340,307, filed Jul. 16, 2009, Wattam.  
U.S. Appl. No. 29/340,310, filed Jul. 16, 2009, Adams.  
U.S. Appl. No. 29/340,311, filed Jul. 16, 2009, Adams.  
U.S. Appl. No. 29/340,312, filed Jul. 16, 2009, Goodhead.

\* cited by examiner

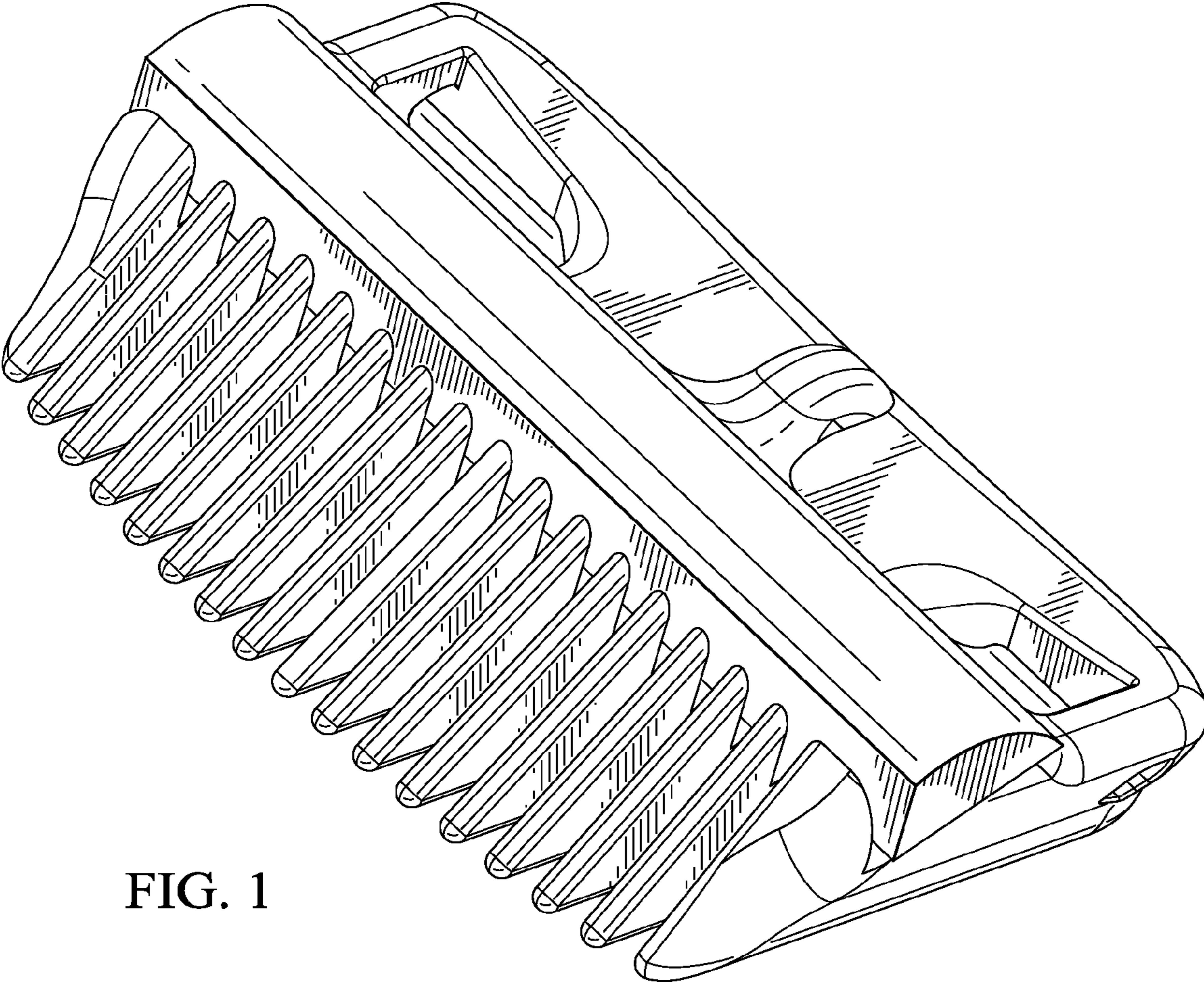


FIG. 1

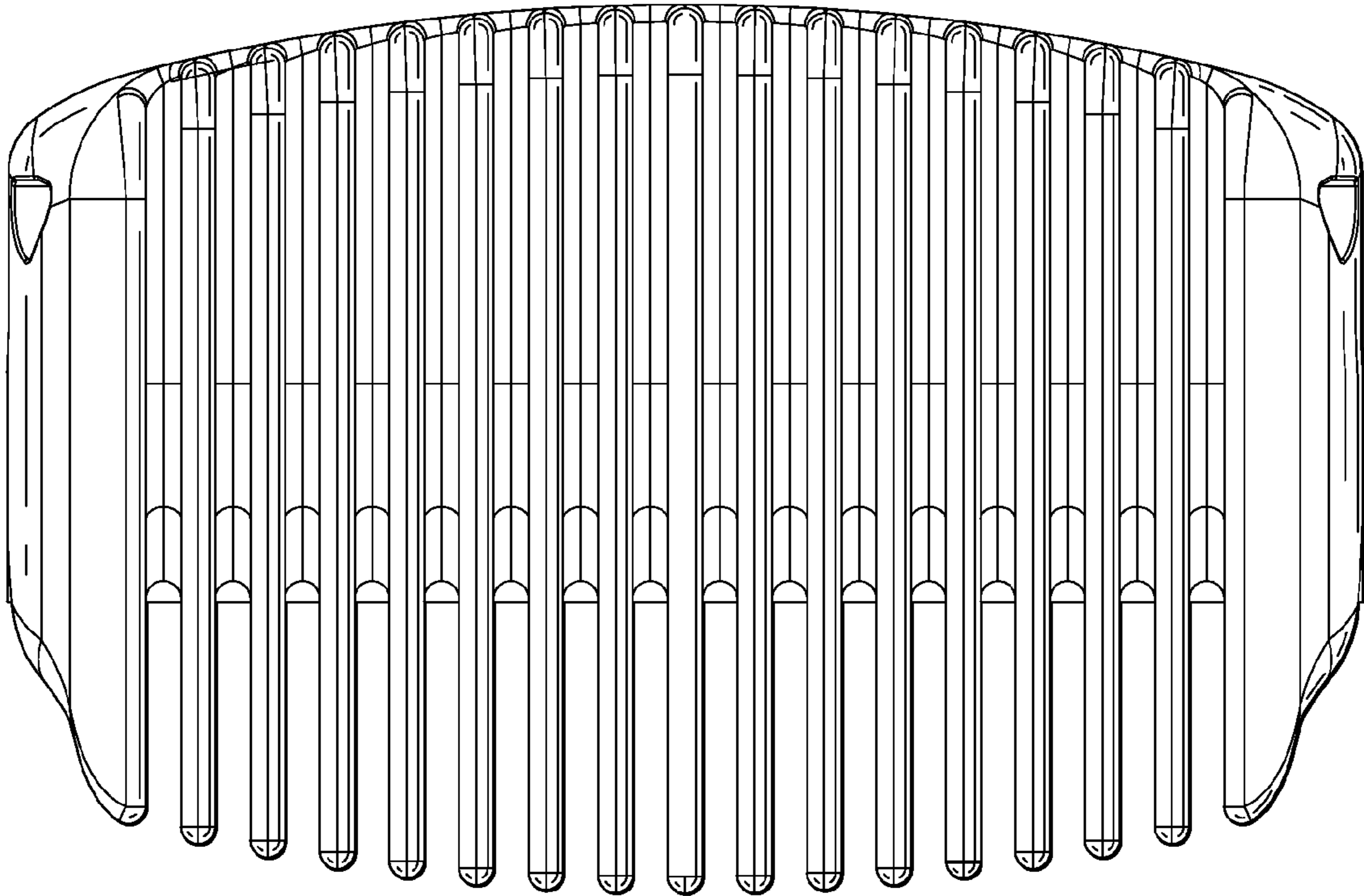


FIG. 2

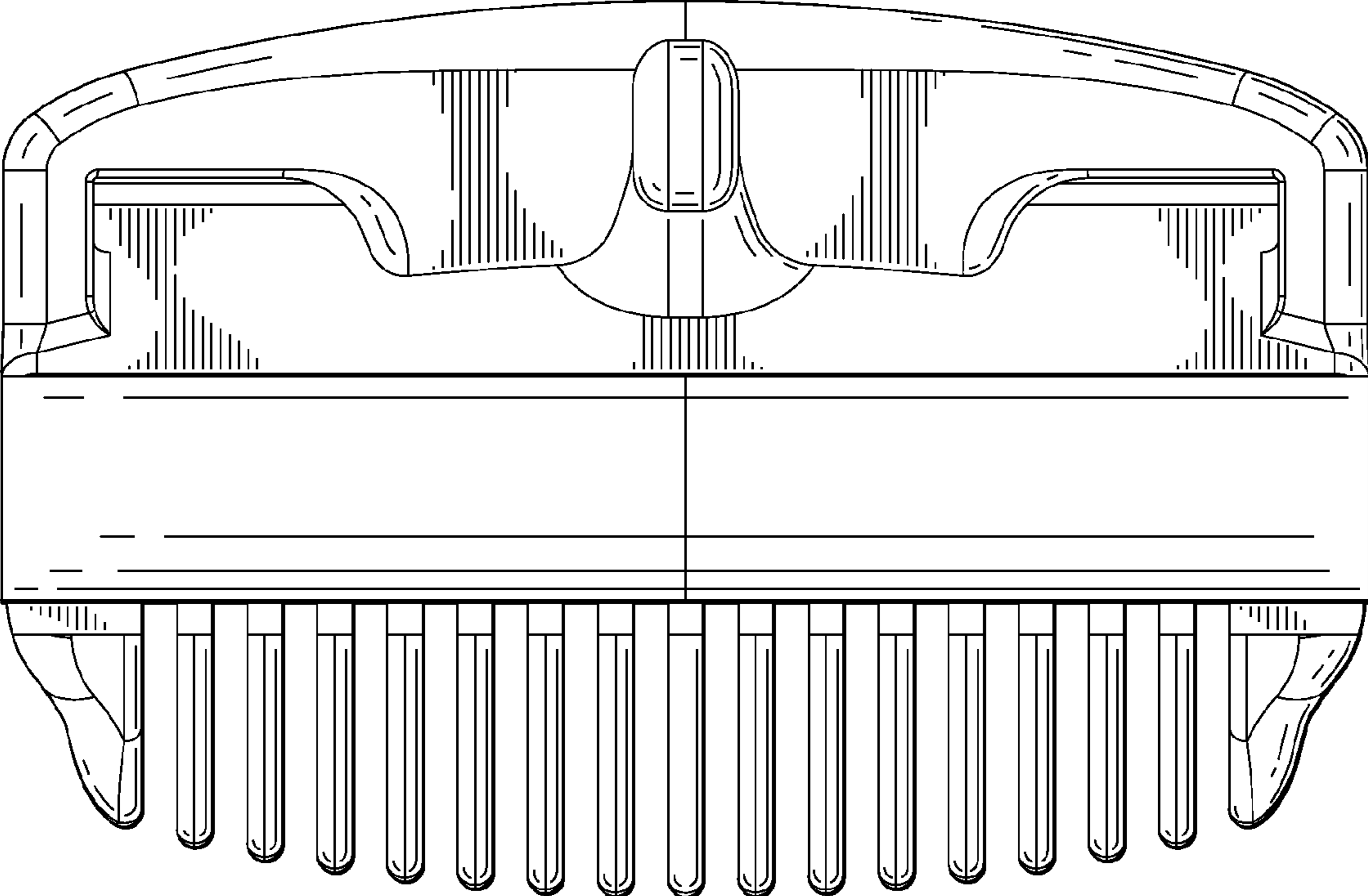


FIG. 3

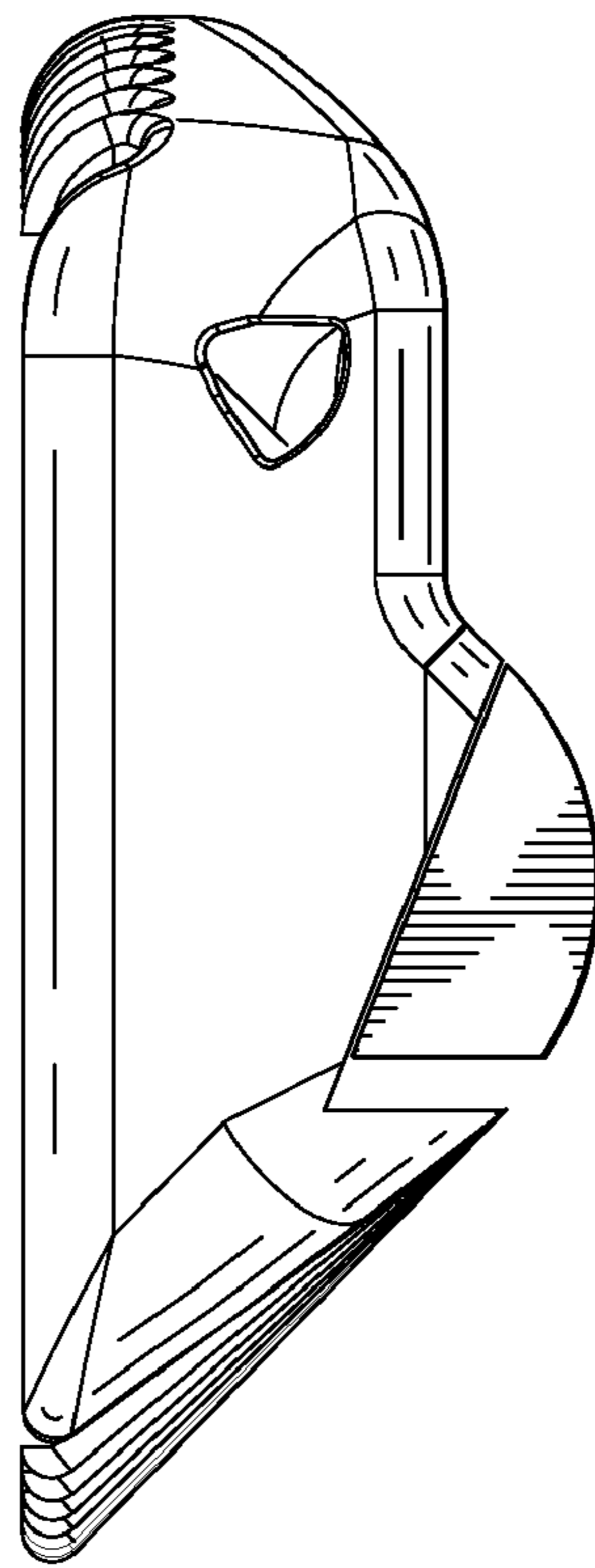


FIG. 4

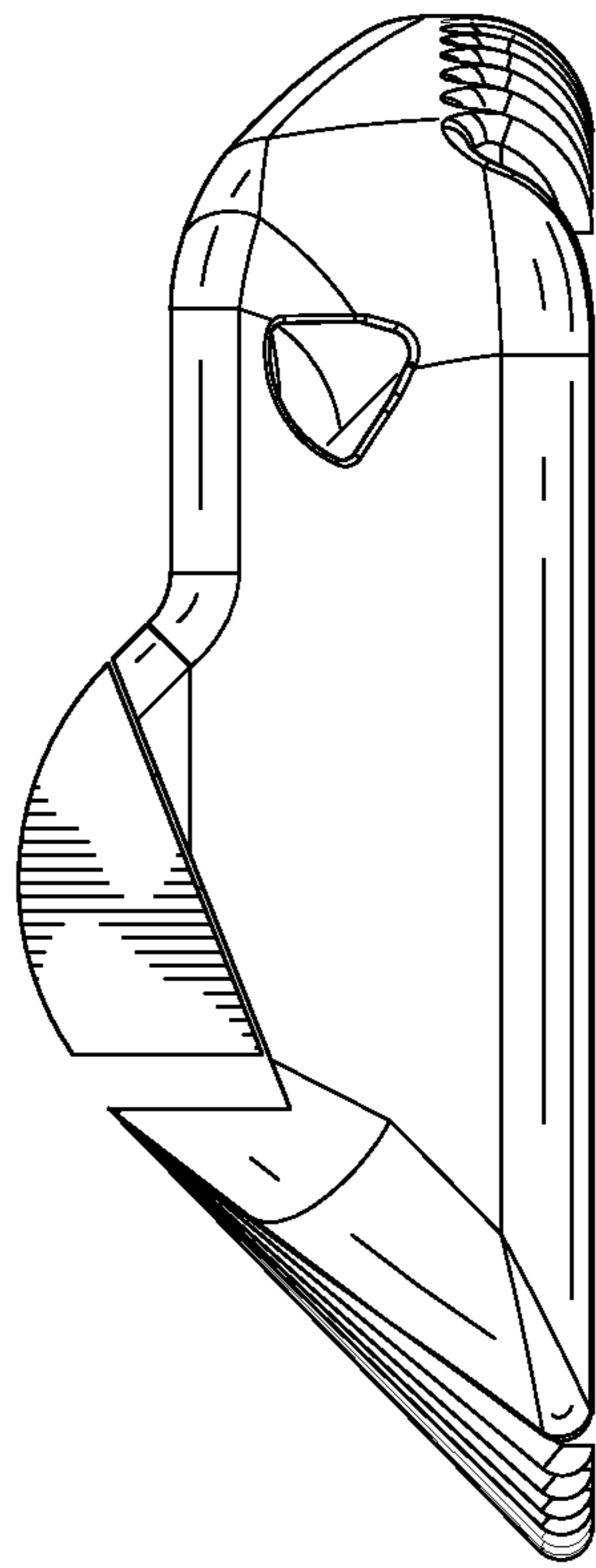


FIG. 5

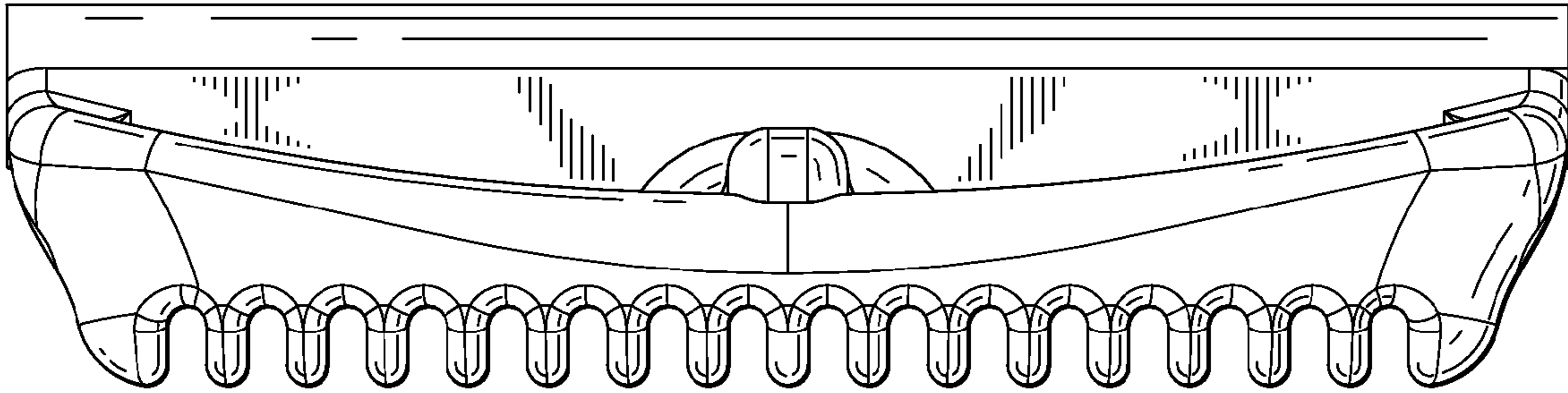


FIG. 6



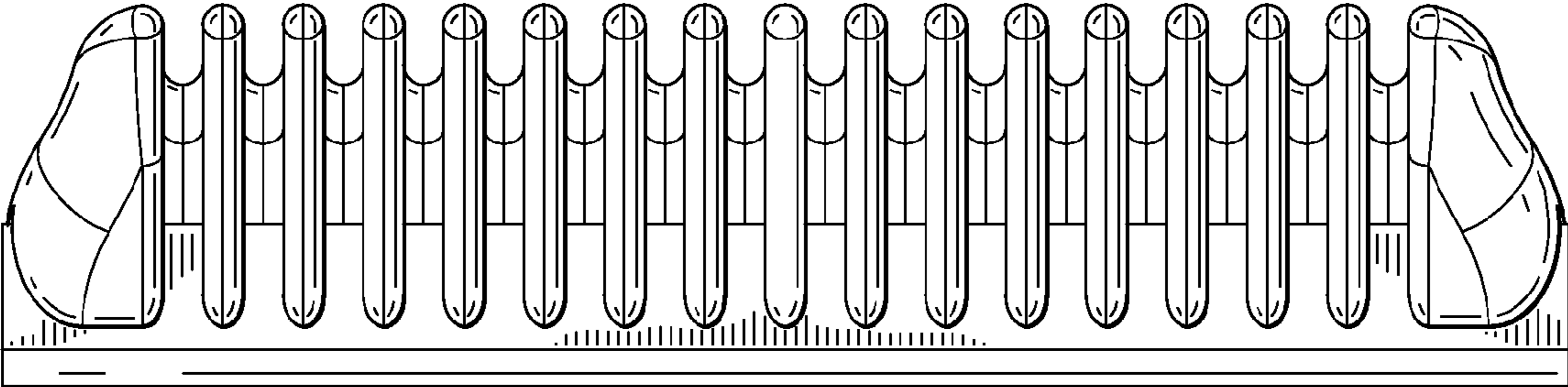


FIG. 7