



US00D619293S

(12) **United States Design Patent**
Boissevain

(10) **Patent No.:** **US D619,293 S**
(45) **Date of Patent:** **** Jul. 6, 2010**

(54) **LUMINAIRE**

(75) Inventor: **Chris Boissevain**, Wimberley, TX (US)

(73) Assignee: **Koninklijke Philips Electronics N.V.**,
Eindhoven (NL)

(**) Term: **14 Years**

(21) Appl. No.: **29/328,738**

(22) Filed: **Dec. 1, 2008**

(51) **LOC (9) Cl.** **26-03**

(52) **U.S. Cl.** **D26/85; D26/71**

(58) **Field of Classification Search** **D26/67-72,**
D26/85, 87, 88, 89, 92, 118, 128; 362/145,
362/152, 183, 294, 373, 414, 431, 545
See application file for complete search history.

(56) **References Cited**

U.S. PATENT DOCUMENTS

1,215,894 A	2/1917	Yuyama	
D51,774 S	2/1918	Coppinger	
D54,477 S	2/1920	Strahan	
1,356,145 A	10/1920	Hawthorne	
1,486,745 A	3/1924	Haselton	
1,545,711 A	7/1925	Townsend	
D70,367 S *	6/1926	Holzhalb D26/89
1,639,753 A	8/1927	Shelton	
D81,452 S	6/1930	Osborn	
2,075,199 A	3/1937	Homer	
D104,401 S	5/1937	Kanter	
D105,721 S	8/1937	Westfall	
2,132,784 A	10/1938	Guth	
D114,805 S	5/1939	Brooks	
D115,417 S	6/1939	McCann	
D137,508 S	3/1944	Asay	
D151,626 S *	11/1948	Kress D26/85
D167,268 S *	7/1952	Kress D26/88
2,632,095 A	3/1953	Dove	
D172,522 S	6/1954	Slone	
2,732,484 A	1/1956	Lipscomb	
D178,282 S	7/1956	Runtz	
2,767,305 A	10/1956	Onlesen et al.	
2,853,599 A	9/1958	Kliegl	

D190,385 S	5/1961	Schreckengost	
D191,128 S	8/1961	Curtin et al.	
D192,125 S	1/1962	Lasker	
D195,584 S	7/1963	D'Ercoli	
D197,380 S *	1/1964	Moore D26/89
D199,078 S	9/1964	Turner	
D199,142 S	9/1964	Daum	
D199,144 S	9/1964	Daum	
3,156,418 A	11/1964	Jablonski	
3,170,634 A	2/1965	Harling	
D201,909 S	8/1965	Harting	
D202,212 S	9/1965	Izzi	

(Continued)

Primary Examiner—Clare E Heflin

(57) **CLAIM**

The ornamental design for a luminaire, as shown and described.

DESCRIPTION

FIG. 1 is a top perspective view of the luminaire of the present invention;

FIG. 2 is a top view of the luminaire of FIG. 1;

FIG. 3 is a bottom view of the luminaire of FIG. 1;

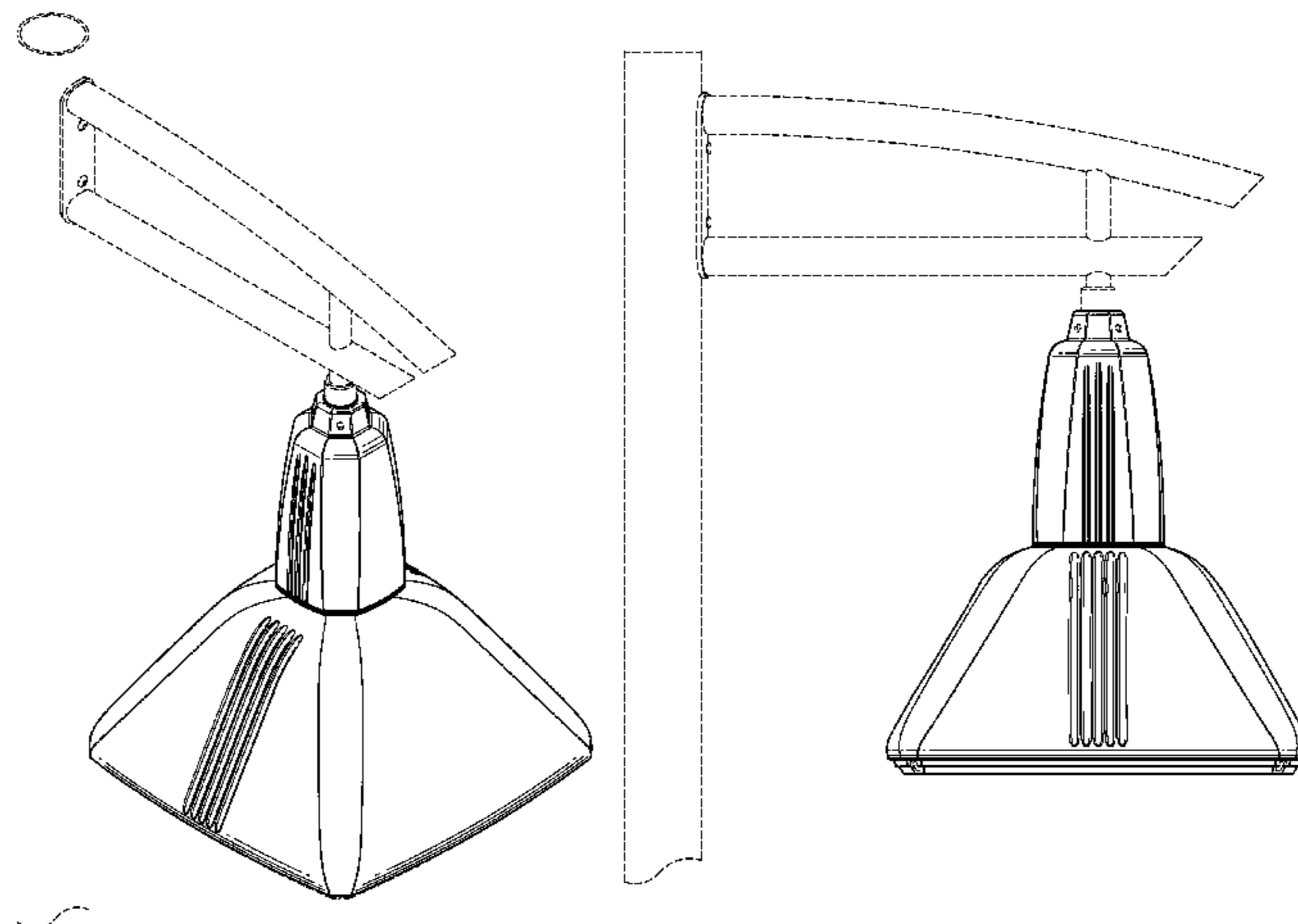
FIG. 4 is a left side elevation view of the luminaire of FIG. 1, a right side elevation view thereof being a mirror image of the left side elevation view;

FIG. 5 is a front view of the luminaire of FIG. 1; and,

FIG. 6 is a rear view of the luminaire of FIG. 1.

The broken lines showing environmental structure are for illustrative purposes only and form no part of the claimed design.

1 Claim, 6 Drawing Sheets



US D619,293 S

U.S. PATENT DOCUMENTS			
3,340,393	A	9/1967	Franck et al.
D211,121	S *	5/1968	Moore D26/89
3,388,246	A	6/1968	Bailey
D212,776	S *	11/1968	Renund D26/88
3,448,260	A	6/1969	Wince et al.
3,505,515	A	4/1970	Adra
D217,638	S	5/1970	Magi
D222,103	S	9/1971	Anderson
3,604,916	A	9/1971	Adra
3,610,915	A	10/1971	Moore
3,666,935	A	5/1972	Pritchett et al.
D226,217	S *	1/1973	Anderson, Jr. D26/88
3,711,702	A	1/1973	Adra
3,732,416	A	5/1973	Audesse et al.
3,755,665	A	8/1973	Grindle
D229,713	S	12/1973	Wince et al.
D230,071	S	1/1974	Anderson
3,895,227	A	7/1975	Murray et al.
3,919,542	A	11/1975	Castic
4,090,210	A	5/1978	Webling et al.
4,143,413	A	3/1979	Kelly
4,164,784	A	8/1979	Jaksich
4,212,050	A	7/1980	Trenkler
4,288,846	A	9/1981	Fletcher et al.
D262,914	S	2/1982	Kristofek
4,319,313	A	3/1982	Eberhart et al.
4,323,953	A	4/1982	Hutchison
4,333,131	A	6/1982	Hujimoto et al.
D267,516	S	1/1983	Rambusch et al.
D271,428	S *	11/1983	de Vos et al. D26/85
D272,193	S	1/1984	Sangiarno
4,434,455	A	2/1984	Merritt
4,447,863	A	5/1984	Fenne
4,462,068	A	7/1984	Shadwick
4,473,873	A	9/1984	Quiogue
4,519,018	A	5/1985	Rowland
4,527,224	A	7/1985	Sangiarno et al.
4,587,602	A	5/1986	Dean et al.
4,590,544	A	5/1986	Decandia
4,602,320	A	7/1986	Tomkin et al.
D286,206	S	10/1986	Joosten et al.
D286,446	S	10/1986	Caroli et al.
4,623,956	A	11/1986	Conti
4,636,579	A	1/1987	Hanak et al.
4,695,930	A	9/1987	Wierzbicki et al.
4,709,312	A	11/1987	Heinisch et al.
D294,066	S	2/1988	Ewing et al.
4,760,499	A	7/1988	Il
4,760,511	A	7/1988	Russello
4,816,969	A	3/1989	Miller
D301,175	S	5/1989	Benjamin
D302,326	S	7/1989	DiCola
D302,327	S	7/1989	DiCola
D302,328	S	7/1989	Fretz
D302,329	S	7/1989	Fretz et al.
D302,330	S	7/1989	Fretz
4,858,091	A	8/1989	Fouke
D304,092	S *	10/1989	Glassman D26/85
D305,694	S	1/1990	Brown
D309,956	S	8/1990	Sikora et al.
D315,612	S	3/1991	Hughes et al.
D316,457	S	4/1991	De'Armond
D321,408	S	11/1991	Hughes et al.
5,068,769	A	11/1991	Umeda et al.
D323,897	S	2/1992	Compton
5,086,379	A	2/1992	Denison et al.
5,158,348	A	10/1992	Sakamoto et al.
5,174,648	A	12/1992	Clary et al.
D336,536	S	6/1993	Shaanan et al.
D336,964	S	6/1993	Janssen et al.
D337,835	S	7/1993	Donato et al.
D338,980	S	8/1993	Dieperink
5,232,518	A	8/1993	Nath et al.
D343,245	S	1/1994	Fouke et al.
D343,250	S	1/1994	Fouke et al.
D343,251	S	1/1994	Fouke et al.
5,278,737	A	1/1994	Luce et al.
D344,606	S	2/1994	Fouke et al.
D345,432	S	3/1994	Gruber et al.
D345,433	S	3/1994	Gruber et al.
D345,434	S	3/1994	Gruber et al.
D346,874	S	5/1994	Fiorato
D346,875	S	5/1994	Rorke
D347,292	S	5/1994	Roos et al.
D347,486	S	5/1994	Gruber et al.
5,309,341	A	5/1994	Russello et al.
D348,531	S	7/1994	Mehaffey et al.
5,339,234	A	8/1994	Russello et al.
D351,919	S	10/1994	Rorke
D352,124	S	11/1994	Russello et al.
5,377,087	A	12/1994	Yoon
D354,580	S	1/1995	Fouke et al.
D355,044	S	1/1995	Russello et al.
D357,547	S	4/1995	Layh
D357,761	S	4/1995	DeWinter
5,404,297	A	4/1995	Birk et al.
D358,898	S	5/1995	Compton
D358,902	S	5/1995	Webster, III
5,416,684	A	5/1995	Pearce
D364,242	S	11/1995	Fiorato
D367,124	S	2/1996	Sherman
D370,228	S	5/1996	Chapman et al.
5,584,574	A	12/1996	Haddad
D377,990	S	2/1997	Nakano
5,613,766	A	3/1997	Raouf
5,642,934	A	7/1997	Haddad
5,647,659	A	7/1997	Mori
D385,643	S	10/1997	Brohard et al.
D389,949	S	1/1998	Walker
D390,999	S	2/1998	Gaskins et al.
D391,659	S	3/1998	Gaskins et al.
D392,407	S	3/1998	Johnson et al.
D393,733	S	4/1998	Gaskins et al.
D395,140	S	6/1998	O'Rourke
5,803,585	A	9/1998	Littman et al.
D399,331	S	10/1998	Greene et al.
D399,332	S	10/1998	Greene et al.
D399,333	S	10/1998	Greene et al.
D400,286	S	10/1998	Greene et al.
D404,842	S	1/1999	Hurst
D407,842	S	4/1999	Landefield
5,906,431	A	5/1999	Chianale et al.
D412,037	S	7/1999	Compton
5,918,970	A	7/1999	Brohard et al.
D415,304	S	10/1999	Brown
5,971,571	A	10/1999	Rose
D417,303	S	11/1999	Rahn
D418,625	S *	1/2000	Dolan D26/88
D418,626	S	1/2000	Herst et al.
D424,736	S	5/2000	Johnson
D425,013	S	5/2000	Lai
6,089,732	A	7/2000	Wright et al.
D429,362	S	8/2000	Landefield
6,128,868	A	10/2000	Ohtsuka et al.
6,152,583	A	11/2000	Mier-Langner
D434,873	S	12/2000	Jaspers-Fayer et al.
D437,958	S	2/2001	Doron, Jr. et al.
D440,692	S	4/2001	Janos et al.
D442,139	S	5/2001	Sasaoka
D442,313	S	5/2001	Wojtkowiak et al.
D442,319	S	5/2001	Hsu
D444,258	S	6/2001	Bradford et al.
6,250,781	Bl	6/2001	Straus et al.
D444,584	S	7/2001	Landefield

US D619,293 S

Page 3

D445,943 S	7/2001	Littman	D481,159 S	10/2003	Walker
D446,340 S	8/2001	Bradford et al.	D482,487 S	11/2003	Russello et al.
D447,590 S	9/2001	Raouf et al.	D484,632 S	12/2003	Lamolinara et al.
6,290,376 B1	9/2001	Gutierrez et al.	D487,600 S	3/2004	Fickas
D454,975 S	3/2002	De'Armond et al.	D488,253 S	4/2004	Chen
D456,551 S	4/2002	Russello et al.	D494,701 S	8/2004	Campbell
D456,552 S	4/2002	Russello et al.	D495,087 S	8/2004	Brown et al.
D456,553 S	4/2002	Russello et al.	D497,226 S	10/2004	Nauert
D456,926 S	5/2002	Gaskins et al.	D501,057 S	1/2005	Haugaard et al.
D456,927 S	5/2002	Russello et al.	D504,536 S	4/2005	Emory et al.
D456,928 S	5/2002	Russello et al.	D515,231 S	2/2006	Randazzo et al.
D456,929 S	5/2002	Russello et al.	D531,342 S	10/2006	Kauffman et al.
D456,930 S	5/2002	Russello et al.	D537,196 S	2/2007	Summerford et al.
D459,915 S	6/2002	Gaskins et al.	D537,555 S	2/2007	Summerford et al.
D459,919 S	6/2002	Russello et al.	D537,556 S	2/2007	Summerford et al.
D460,575 S	7/2002	Tergny et al.	7,244,050 B2	7/2007	Summerford et al.
6,422,709 B1	7/2002	Panagioutu	D555,821 S	11/2007	Russello et al.
D465,023 S	10/2002	De'Armond	D556,357 S	11/2007	Butler et al.
D465,048 S	10/2002	Gaskins et al.	7,296,914 B1	11/2007	Russello et al.
D465,848 S	11/2002	Gaskins et al.	D556,935 S	12/2007	Quioque et al.
6,481,875 B1	11/2002	Bryant	D556,938 S	12/2007	Russello et al.
D467,030 S	12/2002	Gaskins et al.	D562,491 S *	2/2008	DiCola D26/85
D468,051 S	12/2002	Gaskins et al.	D570,527 S *	6/2008	Pelzl D26/88
D468,472 S	1/2003	Mullally et al.	D572,403 S	7/2008	Walker
D469,565 S	1/2003	Anderson et al.	D575,900 S	8/2008	Summerford et al.
D472,339 S	3/2003	Russello et al.	D585,580 S	1/2009	Riffel et al.
D476,771 S	7/2003	Herst et al.	2006/0090789 A1	5/2006	Thompson
D479,624 S	9/2003	Svendson et al.			
D481,158 S	10/2003	Cline			

* cited by examiner

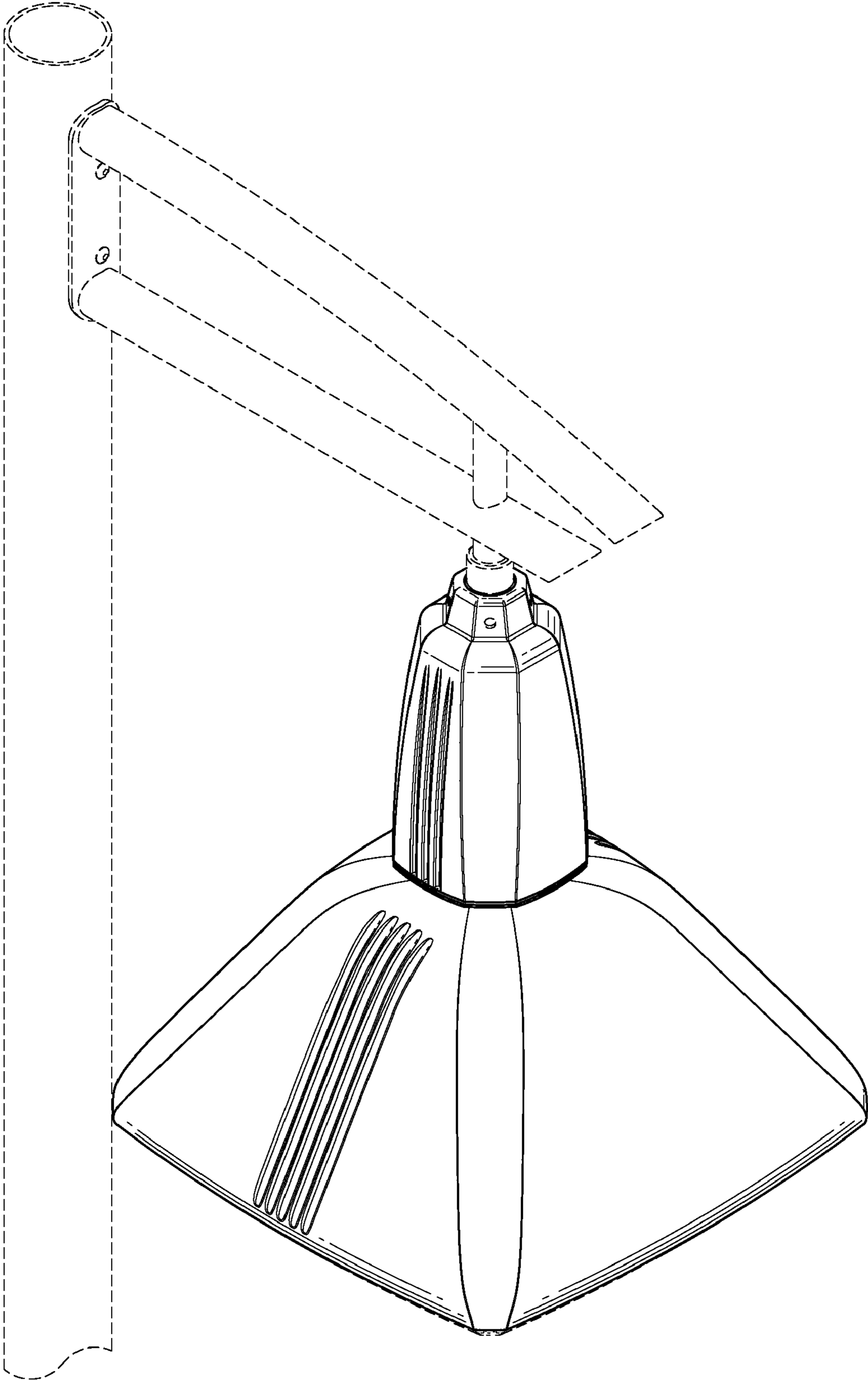


FIG. 1

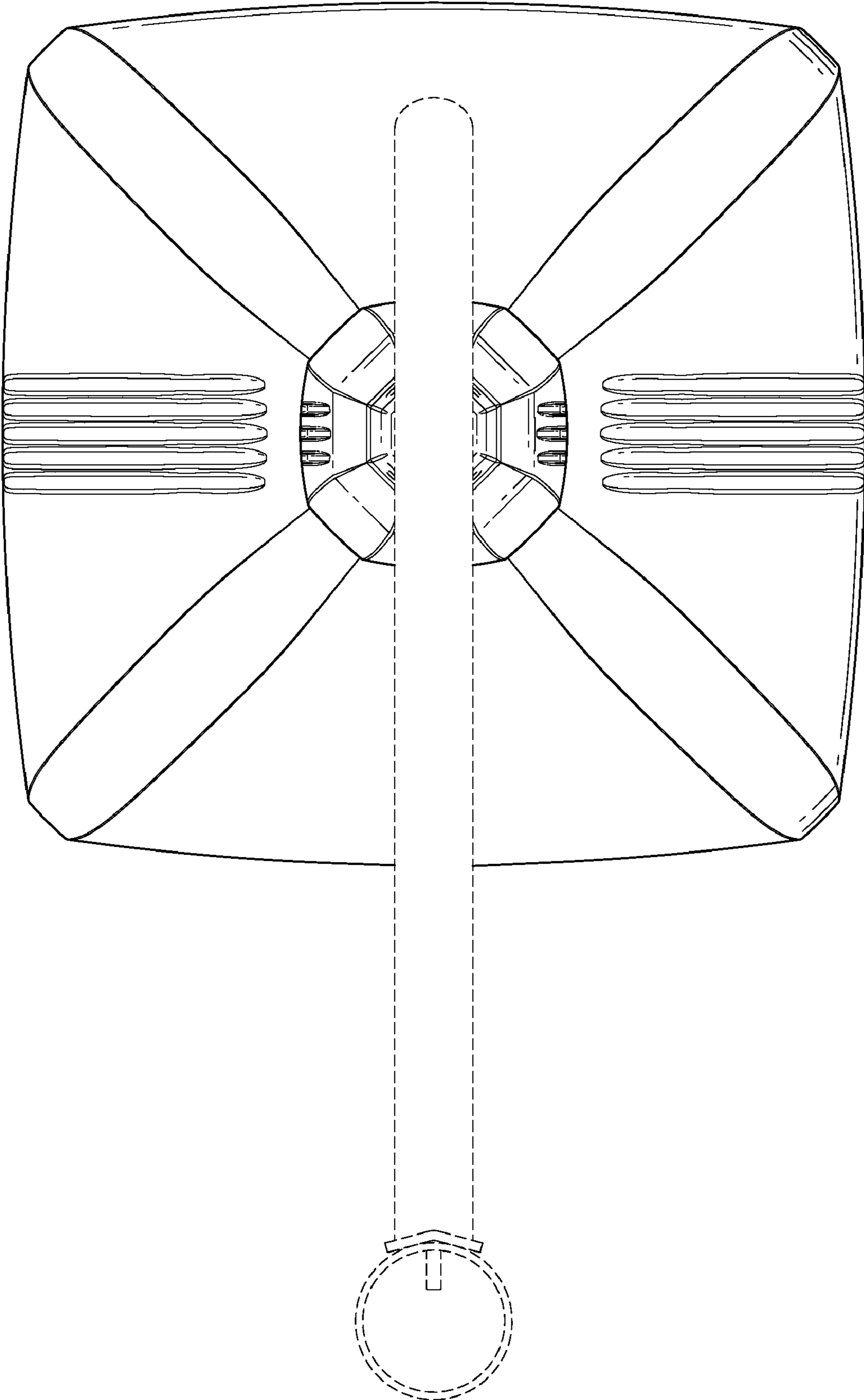


FIG. 2

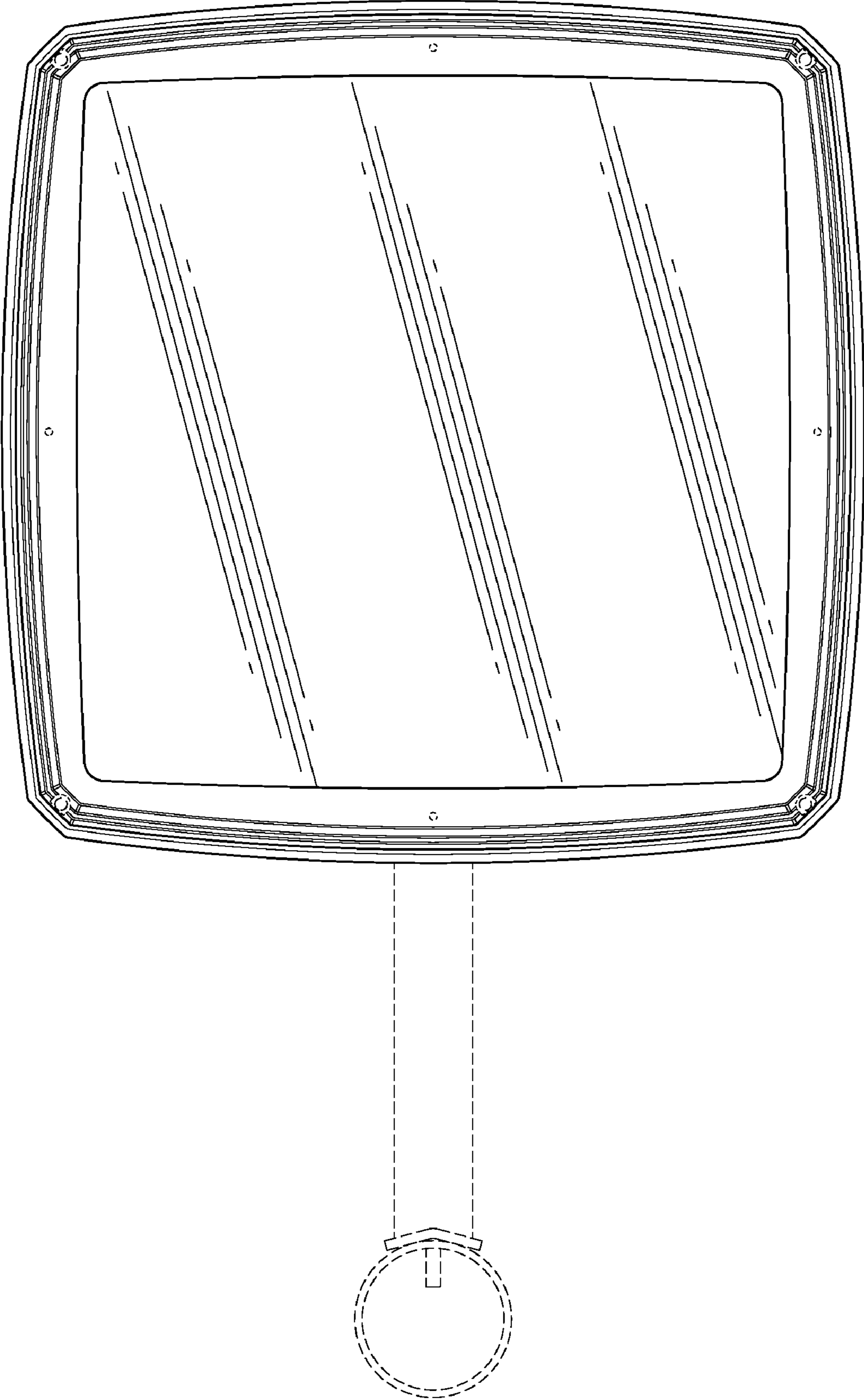


FIG. 3

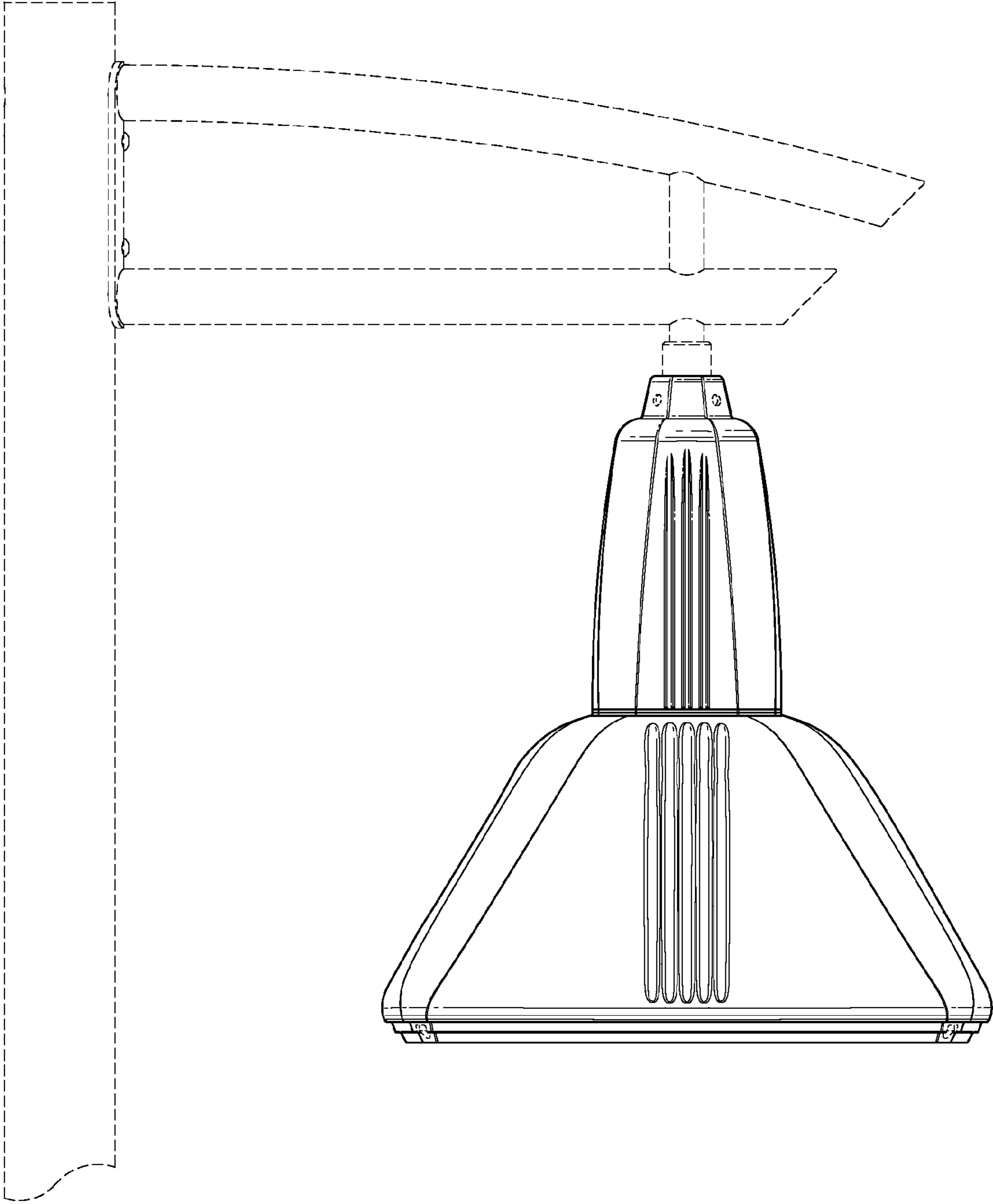


FIG. 4

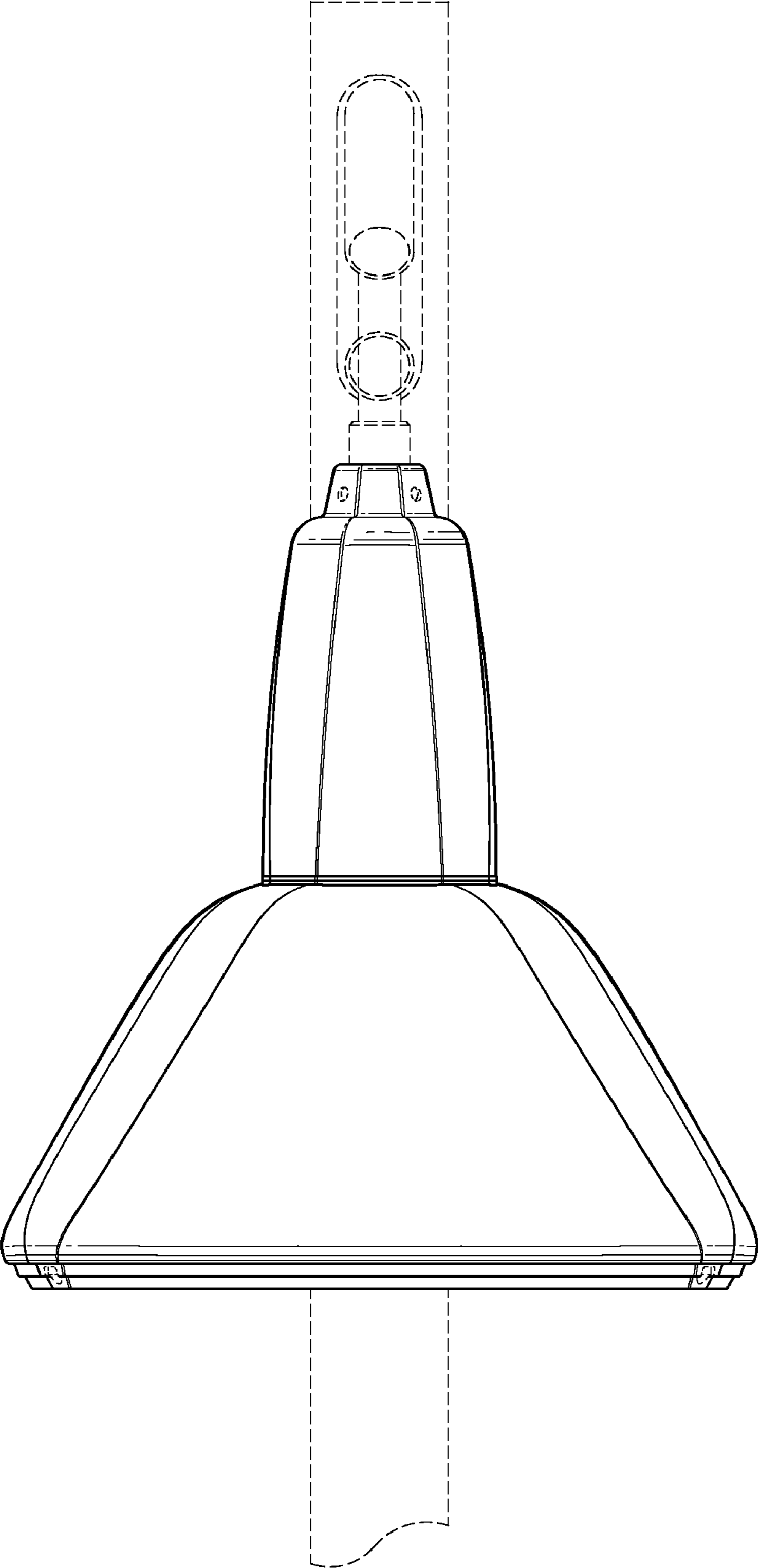


FIG. 5

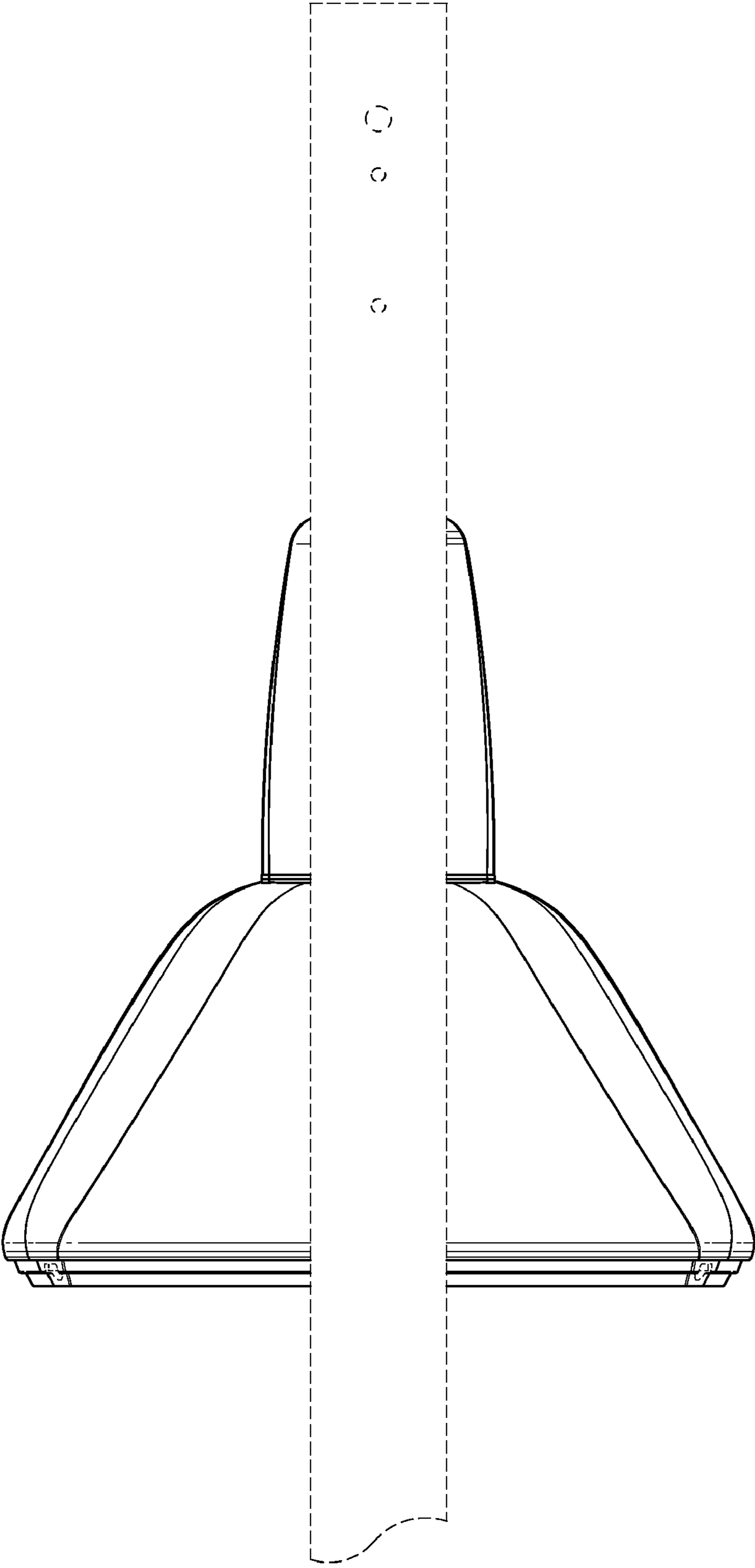


FIG. 6