



US00D619291S

(12) **United States Design Patent**
Thevenot

(10) **Patent No.:** **US D619,291 S**

(45) **Date of Patent:** **** Jul. 6, 2010**

(54) **CUBIC LIGHT STRUCTURE**

(76) **Inventor:** **Alex John Thevenot**, 530 Westminster Ave., Venice, CA (US) 90291

(**) **Term:** **14 Years**

(21) **Appl. No.:** **29/314,979**

(22) **Filed:** **May 14, 2009**

(51) **LOC (9) Cl.** **26-05**

(52) **U.S. Cl.** **D26/75; D26/80**

(58) **Field of Classification Search** D26/1-3,
D26/37, 42-44, 49, 67, 72, 74-92, 118, 120;
362/147, 217-225, 132, 243, 260-263, 267,
362/283, 311, 337, 364, 806; 326/311; D23/372,
D23/328, 385

See application file for complete search history.

(56) **References Cited**

U.S. PATENT DOCUMENTS

D121,094 S *	6/1940	Heath	D26/75
D122,864 S *	10/1940	Dreyfuss	D26/75
D220,206 S *	3/1971	Hamburger	D26/75
D240,156 S *	6/1976	von Serda	D26/128
D290,523 S *	6/1987	Morita	D26/78
4,809,979 A	3/1989	Skowronski et al.		

5,145,248 A *	9/1992	Chuan	362/223
D342,332 S *	12/1993	Zahn et al.	D26/42
5,386,353 A *	1/1995	Battaglia	362/224
D381,734 S *	7/1997	Murphy	D22/134
5,676,446 A	10/1997	Gold		
6,628,867 B1	9/2003	Solntsev		
D481,484 S *	10/2003	Cuevas et al.	D26/84
D525,738 S *	7/2006	Waycaster et al.	D26/76
D550,885 S *	9/2007	Crosby	D26/76
D573,299 S *	7/2008	Fanning	D26/153

* cited by examiner

Primary Examiner—Philip S Hyder
Assistant Examiner—Susan E Krakower

(57) **CLAIM**

The ornamental design for a cubic light structure, as shown and described.

DESCRIPTION

FIG. 1 is a top and side three-point perspective view of a cubic light structure showing my new design;

FIG. 2 is a top one-point perspective view thereof; and,

FIG. 3 is a bottom and side three-point perspective view thereof.

1 Claim, 3 Drawing Sheets

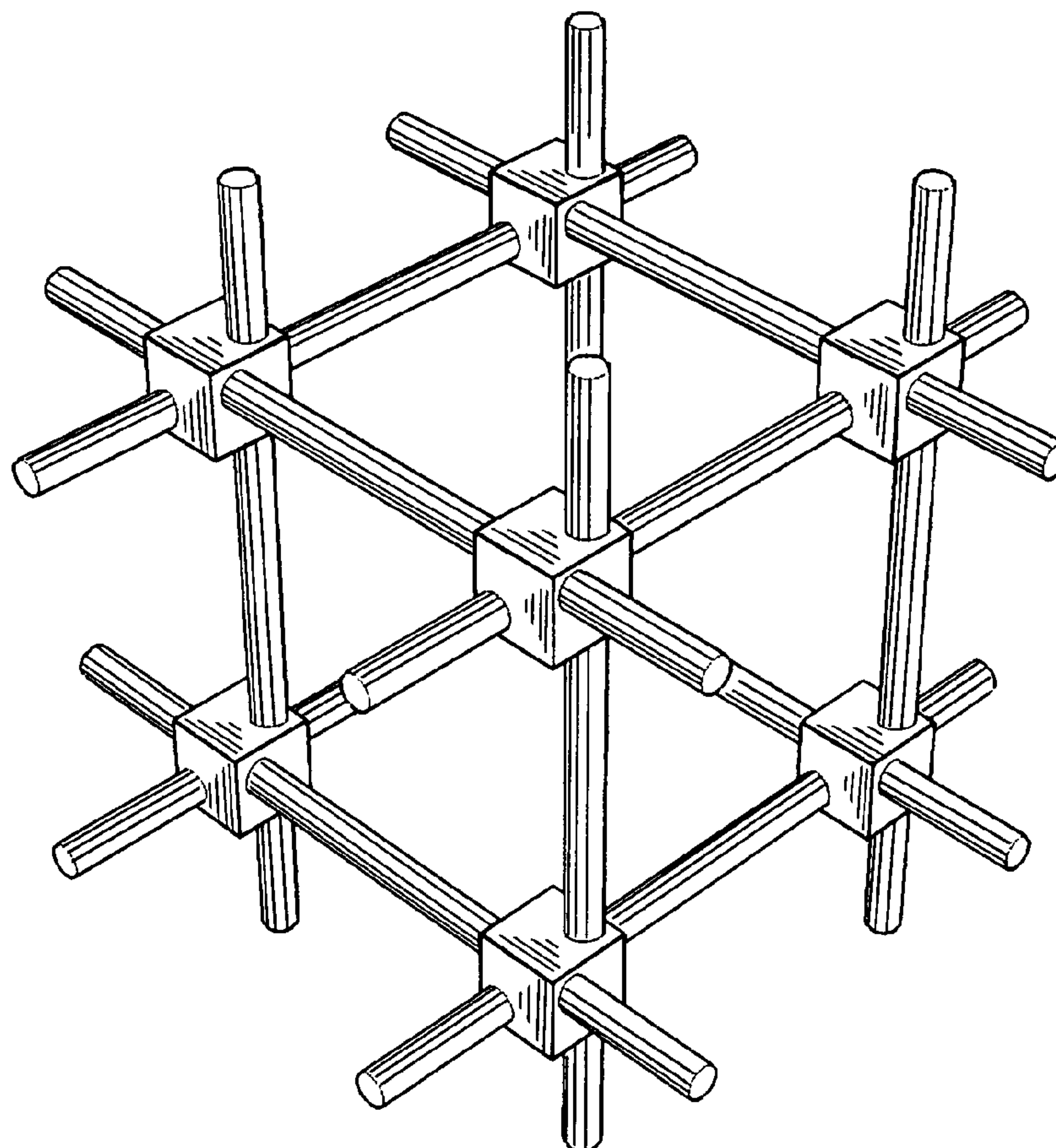


FIG. 1

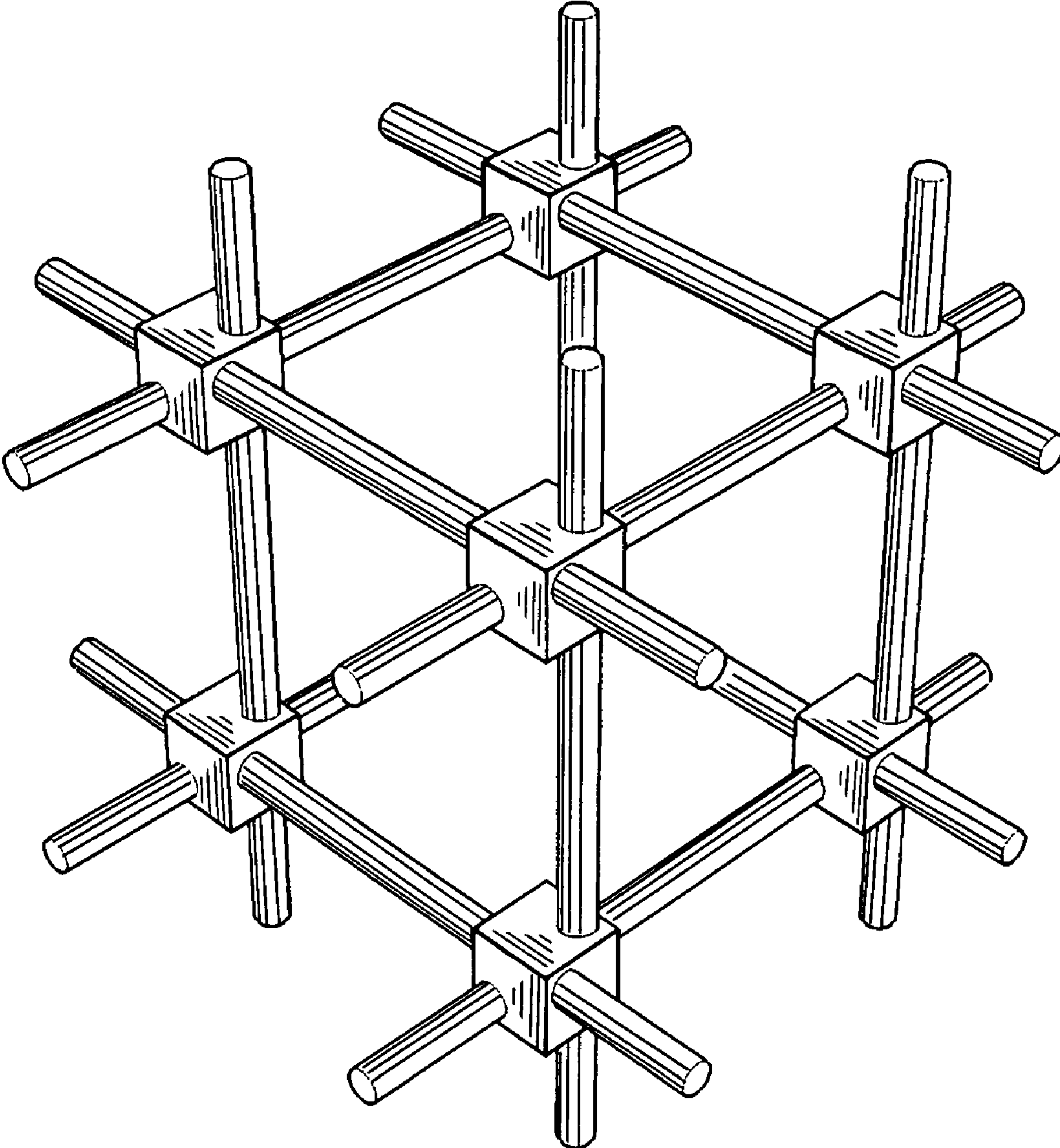


FIG. 2

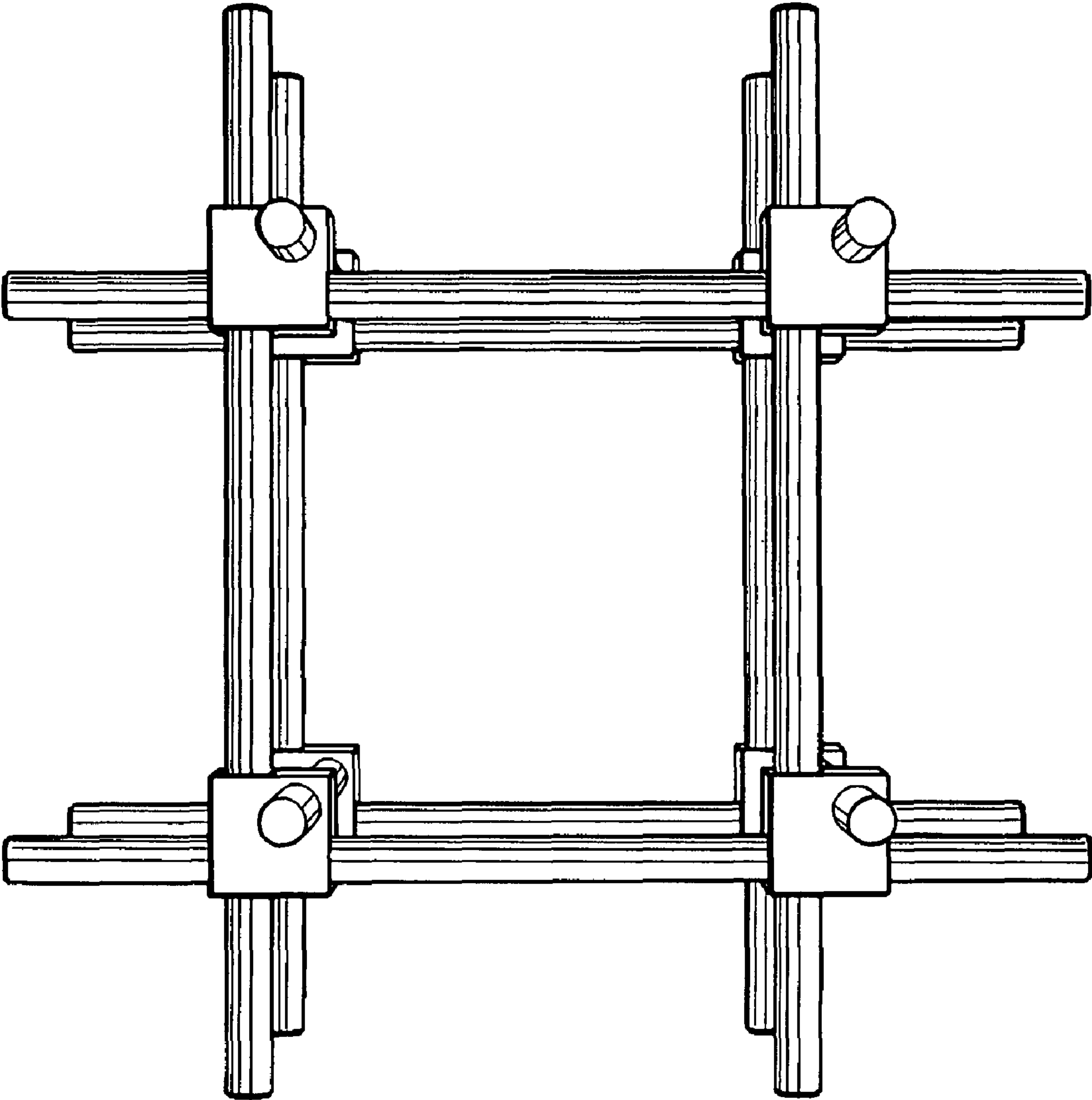


FIG. 3

