



US00D619288S

(12) **United States Design Patent**
Mier-Langner et al.

(10) **Patent No.:** **US D619,288 S**
(45) **Date of Patent:** **** Jul. 6, 2010**

(54) **TRACK FIXTURE LUMINAIRE**

(75) Inventors: **Alejandro Mier-Langner**, Providence, RI (US); **James E. Kuchar**, Fall River, MA (US)

(73) Assignee: **Koninklijke Philips Electronics N.V.**, Eindhoven (NL)

(*) Notice: This patent is subject to a terminal disclaimer.

(**) Term: **14 Years**

(21) Appl. No.: **29/317,779**

(22) Filed: **May 6, 2008**

(51) **LOC (9) Cl.** **26-05**

(52) **U.S. Cl.** **D26/63**

(58) **Field of Classification Search** D26/60,
D26/61, 62, 63, 64, 65, 66, 72, 81, 88, 89,
D26/90, 91, 154, 24, 44, 77, 119, 121, 152,
D26/75, 85; 362/145, 147, 148, 150, 218,
362/220, 223, 648, 227, 238, 239, 249, 250,
362/372, 418, 430, 269, 270, 271, 272, 273,
362/274, 277, 278, 282, 283, 285, 287, 288,
362/290, 309, 427

See application file for complete search history.

(56) **References Cited**

U.S. PATENT DOCUMENTS

| | | |
|-------------|---------|----------------|
| 1,370,255 A | 3/1921 | Zimmermann, Jr |
| 1,413,315 A | 4/1922 | Correll |
| 1,429,762 A | 9/1922 | Oliver |
| 1,568,942 A | 1/1926 | Haley |
| 1,590,130 A | 6/1926 | Sturgeon, Jr. |
| 1,770,726 A | 7/1930 | Bauersfeld |
| RE17,825 E | 10/1930 | Linton et al. |
| 1,821,955 A | 9/1931 | Wuelker |
| 2,089,610 A | 8/1937 | Kloos |
| D113,125 S | 1/1939 | Stewart |
| 2,143,673 A | 1/1939 | Baumgartner |

| | | |
|-------------|---------|----------|
| 2,202,266 A | 5/1940 | Phillips |
| 2,242,590 A | 5/1941 | Moreau |
| D130,059 S | 10/1941 | Herr |
| D163,762 S | 6/1951 | McCann |

(Continued)

OTHER PUBLICATIONS

Architectural Record, Small profile track, Aug. 2007, [Retrieved on Mar. 19, 2009]. Retrieved from Internet <http://archrecord.construction.com/products/tradeshows/0708_lightfair-1.asp>.*

(Continued)

Primary Examiner—Jennifer Rivard
Assistant Examiner—Angela J Lee

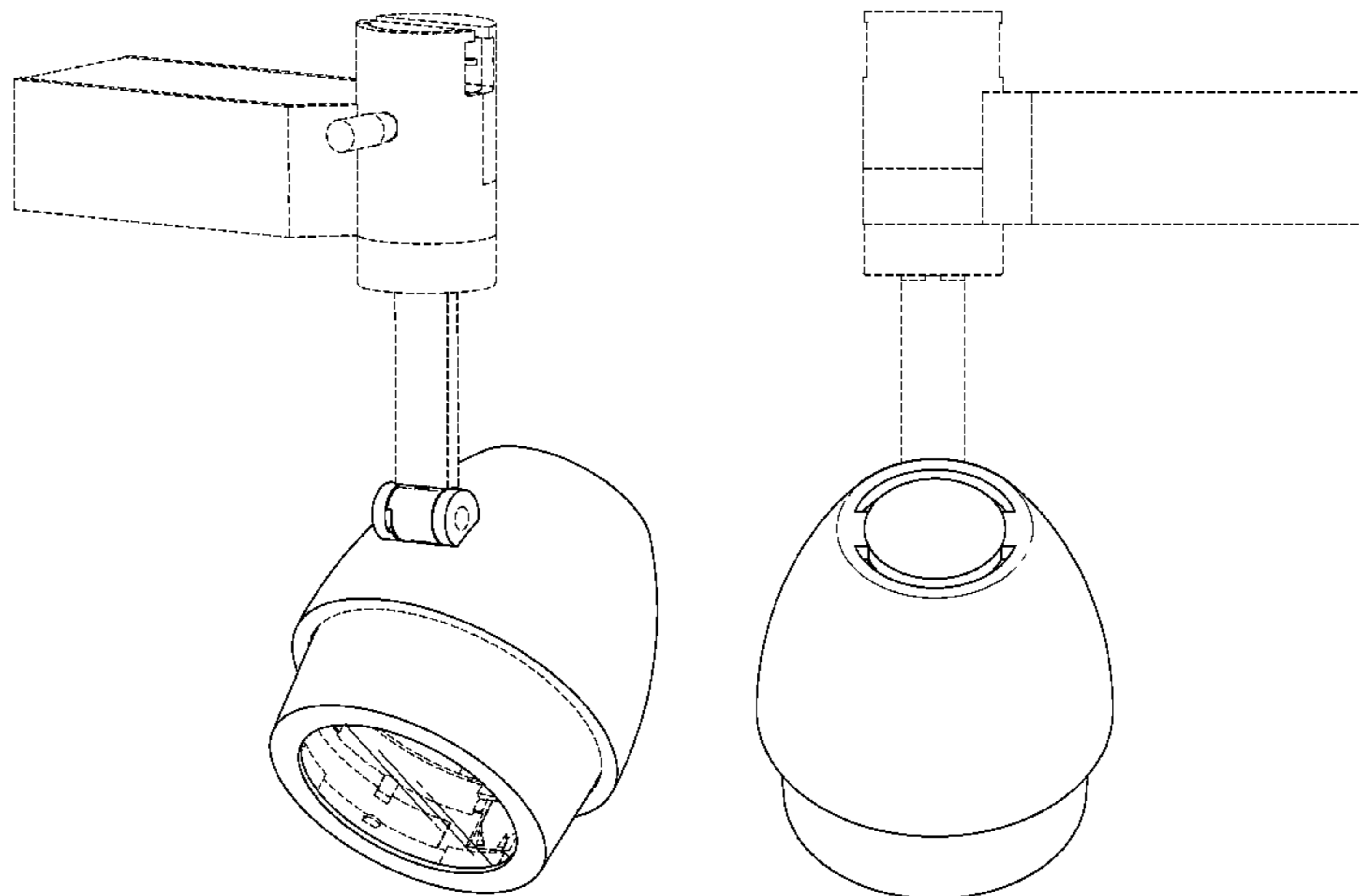
(57) **CLAIM**

The ornamental design for a track fixture luminaire, as shown and described.

DESCRIPTION

FIG. 1 is a perspective view of the track fixture luminaire of the present invention;
FIG. 2 is a front view of the design of the present invention;
FIG. 3 is a rear view of the design of the present invention;
FIG. 4 is a left side view of the design of the present invention;
FIG. 5 is a right side view of the design of the present invention; and,
FIG. 6 is a bottom view of the design of the present invention.
The broken lines showing environmental structure are for illustrative purposes only and form no part of the claimed design.

1 Claim, 6 Drawing Sheets



US D619,288 S

Page 2

U.S. PATENT DOCUMENTS

| | | | | | | |
|--------------|---------|-----------------------|--------------|---------|--------------------------|---------|
| 2,595,520 A | 5/1952 | Guerin | D447,260 S | 8/2001 | Demshki | |
| 3,679,893 A | 7/1972 | Shemitz et al. | D448,506 S * | 9/2001 | Miller et al. | D26/63 |
| 3,701,898 A | 10/1972 | McNamara, Jr. | D449,397 S | 10/2001 | Demshki | |
| 3,902,059 A | 8/1975 | McNamara, Jr. | D450,405 S | 11/2001 | Demshki | |
| 4,128,333 A | 12/1978 | Levin et al. | D455,518 S | 4/2002 | Littman | |
| 4,153,929 A | 5/1979 | Laudenschlager et al. | D457,679 S | 5/2002 | Littman | |
| D280,346 S | 8/1985 | Aspenwall | D457,977 S | 5/2002 | Mier-Langner et al. | |
| D286,206 S | 10/1986 | Joosten et al. | 6,382,817 B1 | 5/2002 | Chelf | |
| D295,329 S | 4/1988 | Roos et al. | D459,014 S | 6/2002 | Chen | |
| D349,173 S | 7/1994 | Fellinger | D459,514 S | 6/2002 | Mier-Langner et al. | |
| D356,382 S | 3/1995 | Jaksich | D460,835 S | 7/2002 | Chen | |
| D359,574 S | 6/1995 | Bornhorst et al. | D461,019 S | 7/2002 | Donato | |
| D360,959 S | 8/1995 | Donato et al. | D463,879 S | 10/2002 | Mier-Langner et al. | |
| D370,069 S | 5/1996 | Mier-Langner et al. | D464,455 S * | 10/2002 | Fong et al. | D26/63 |
| D370,075 S | 5/1996 | Mier-Langner et al. | D465,046 S * | 10/2002 | Layne et al. | D26/63 |
| D371,861 S | 7/1996 | Stamm | D472,337 S | 3/2003 | Bernhart et al. | |
| D380,847 S | 7/1997 | Mier-Langner et al. | D474,304 S | 5/2003 | Mier-Langner et al. | |
| D385,372 S | 10/1997 | Mier-Langner et al. | D475,157 S | 5/2003 | Mier-Langner et al. | |
| D389,260 S | 1/1998 | Mier-Langner et al. | D479,623 S * | 9/2003 | Fu | D26/118 |
| D394,723 S | 5/1998 | Mier-Langner et al. | D505,221 S | 5/2005 | Hetfield | |
| 5,765,939 A | 6/1998 | Tanner, Jr. | D507,668 S * | 7/2005 | Kwong | D26/24 |
| D402,384 S * | 12/1998 | Chen | D509,616 S | 9/2005 | Hetfield | |
| D402,964 S | 12/1998 | Kuchar et al. | D511,222 S | 11/2005 | Hetfield | |
| D413,176 S | 8/1999 | Mier-Langner | D513,439 S | 1/2007 | Hetfield | |
| D417,300 S | 11/1999 | Stacy et al. | D536,121 S * | 1/2007 | Mier-Langner et al. | D26/63 |
| 5,988,829 A | 11/1999 | Holder | D541,966 S * | 5/2007 | Benghozi | D26/63 |
| D430,326 S | 8/2000 | Littman | D556,354 S * | 11/2007 | Prazoff | D26/61 |
| D433,178 S | 10/2000 | Donato | D558,381 S | 12/2007 | Horn et al. | |
| 6,135,613 A | 10/2000 | Bodell et al. | D563,022 S | 2/2008 | Hetfield et al. | |
| D433,763 S | 11/2000 | Donato | D563,025 S | 2/2008 | Hetfield et al. | |
| D436,211 S | 1/2001 | Neeld et al. | D563,590 S | 3/2008 | Hetfield et al. | |
| D436,678 S | 1/2001 | Mier-Langner et al. | D564,120 S * | 3/2008 | Layne et al. | D26/63 |
| D437,437 S | 2/2001 | Donato | D568,518 S * | 5/2008 | Schmidt | D26/63 |
| D437,953 S | 2/2001 | Donato | D577,453 S * | 9/2008 | Metlen | D26/63 |
| D438,326 S | 2/2001 | Kan | | | | |
| D440,343 S | 4/2001 | Littman | | | | |
| D443,940 S | 6/2001 | Donato | | | | |
| D443,945 S | 6/2001 | Littman | | | | |
| D444,251 S | 6/2001 | Donato | | | | |
| D445,936 S | 7/2001 | Mier-Langner et al. | | | | |
| D445,943 S | 7/2001 | Littman | | | | |
| D446,874 S | 8/2001 | Demshki | | | | |

OTHER PUBLICATIONS

Lightolier Tangent Track Lighting System FXESS, copyright 2007, [Retrieved on Mar. 20, 2009]. Retrieved from Internet <<http://lightolier.com>>.*

Lightolier Tangent Track Lighting System FX16S, copyright 2007, [Retrieved on Mar. 20, 2009]. Retrieved from Internet <<http://lightolier.com>>.*

* cited by examiner

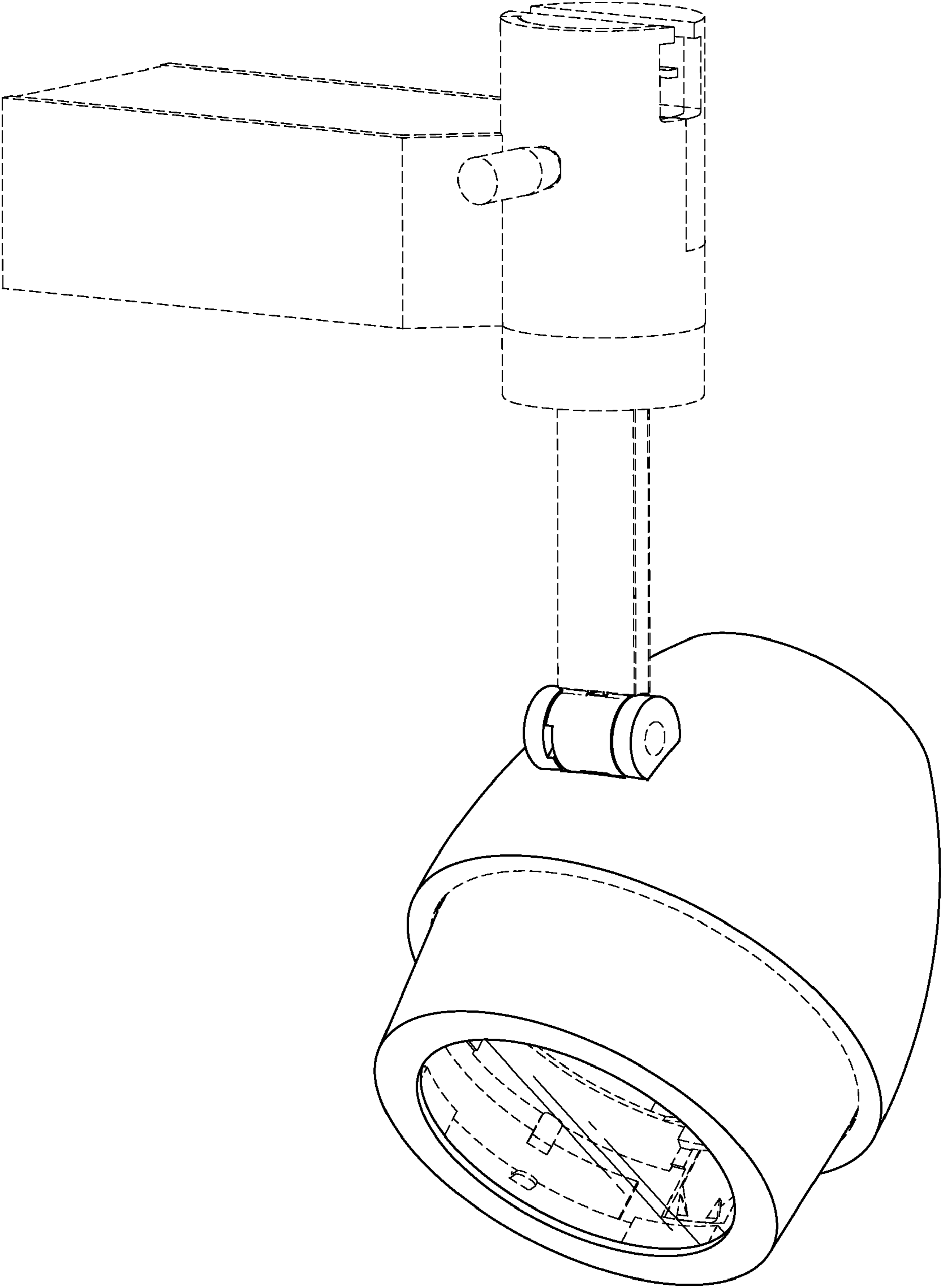


FIG. 1

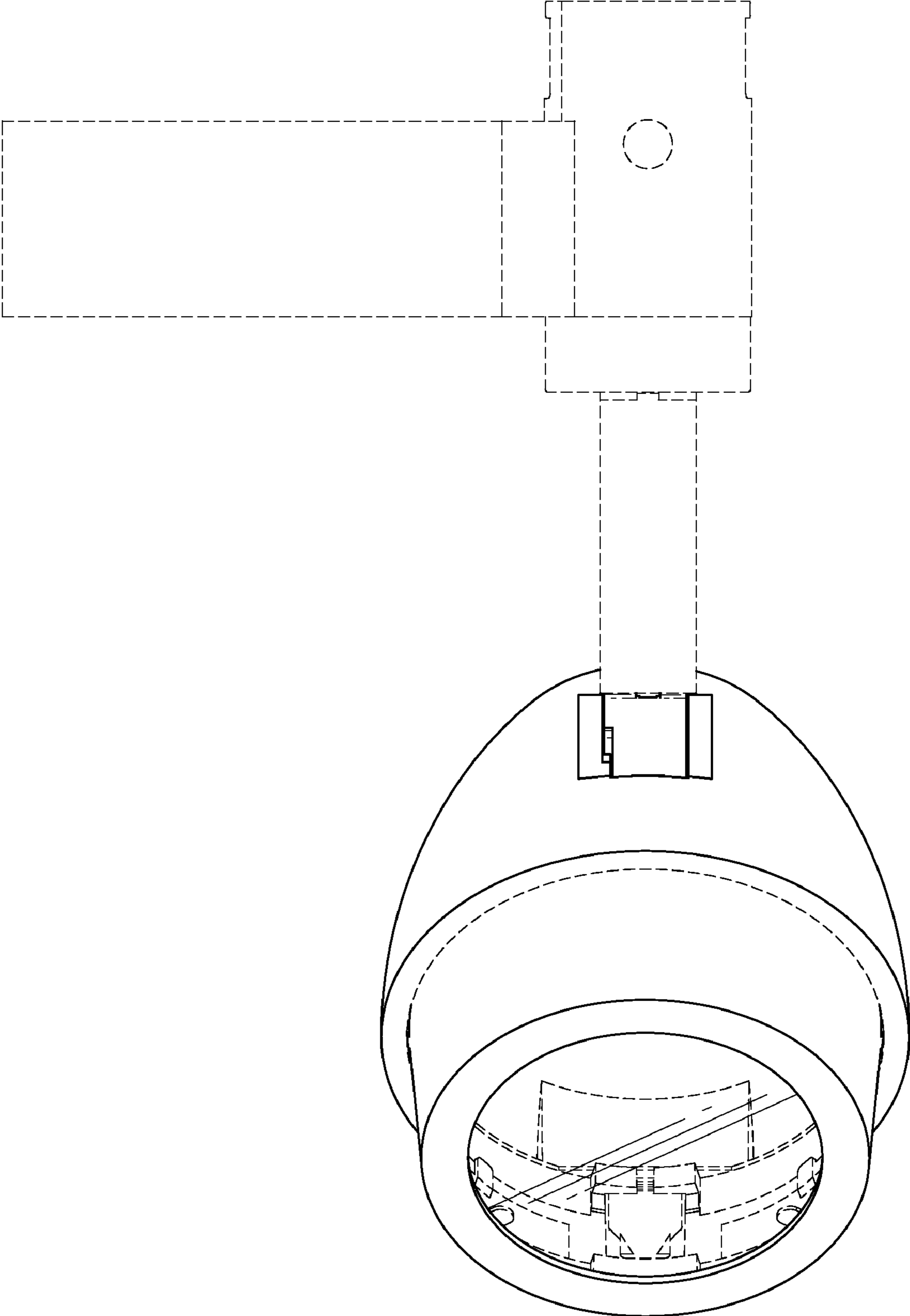


FIG. 2

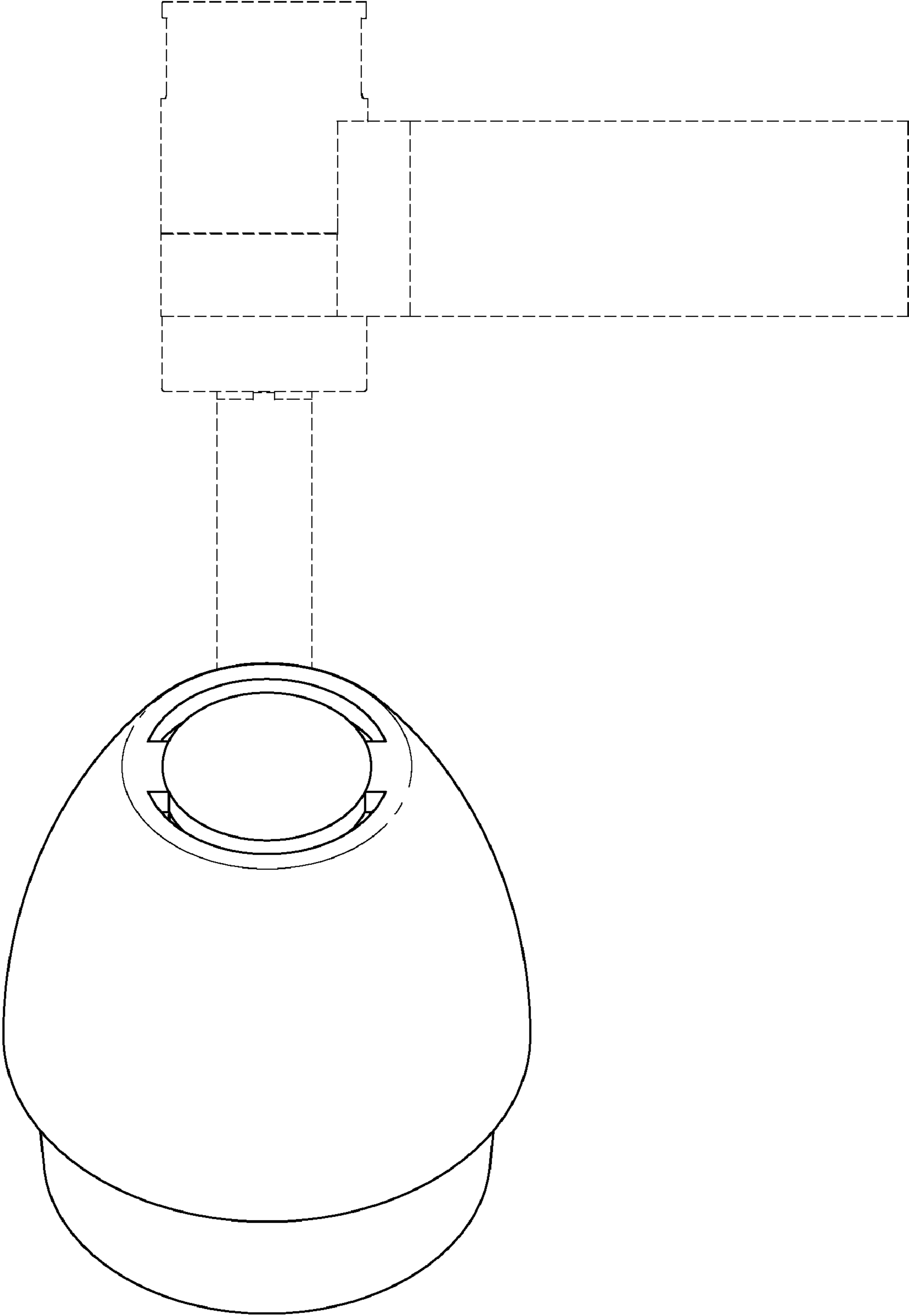


FIG. 3

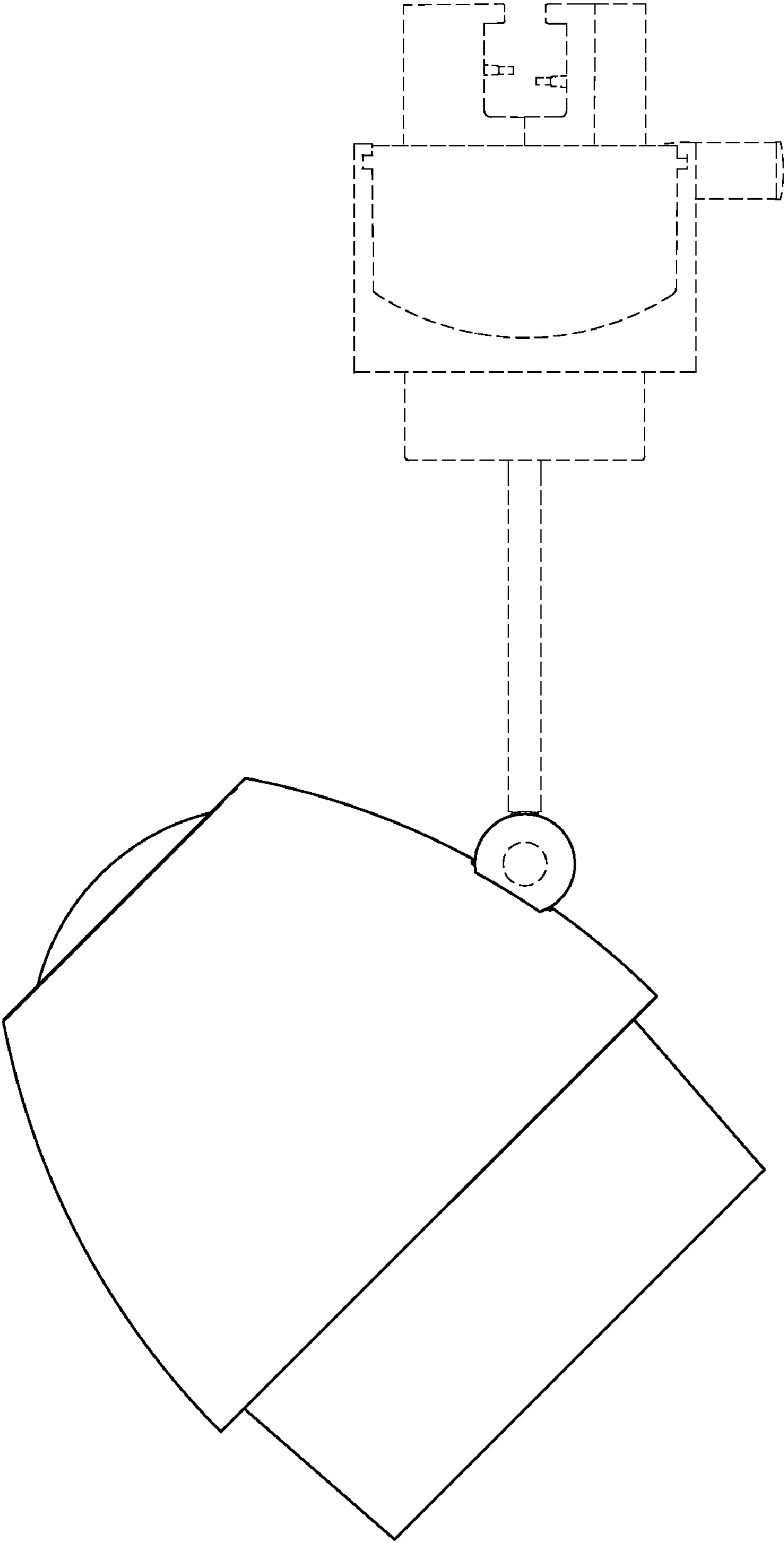


FIG. 4

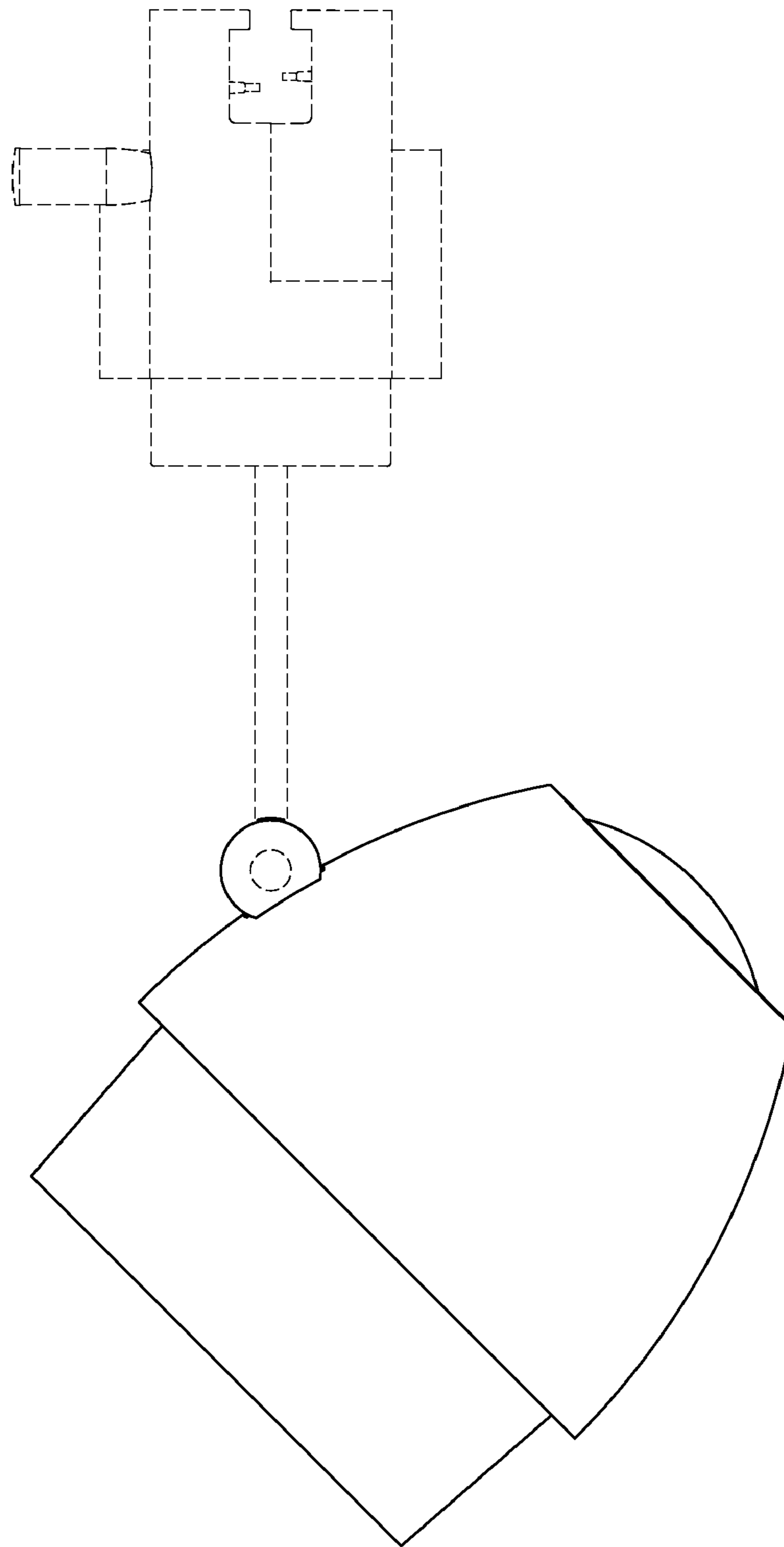


FIG. 5

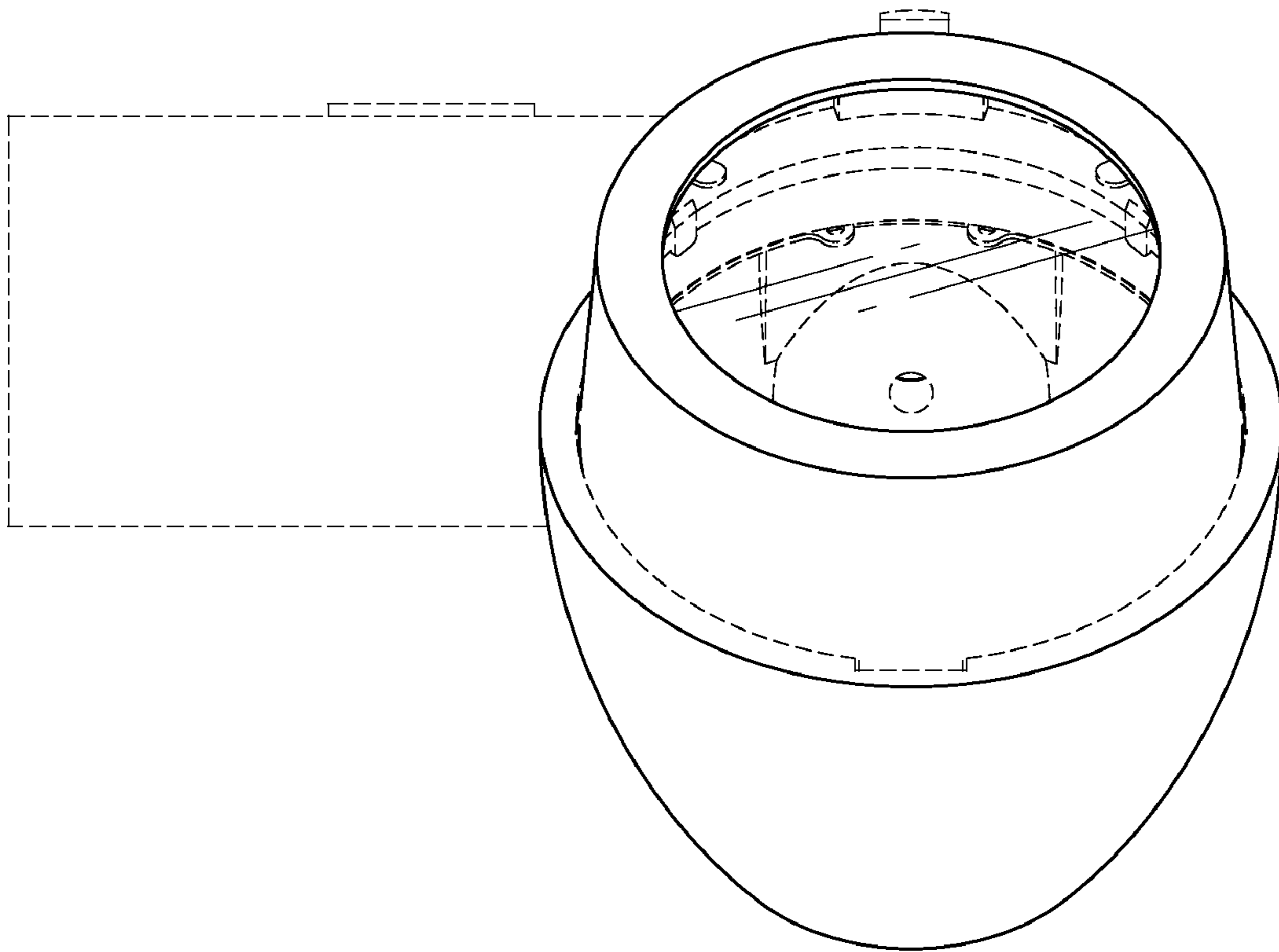


FIG. 6