

US00D619285S

(12) **United States Design Patent**
Cristoforo

(10) **Patent No.:** **US D619,285 S**
(45) **Date of Patent:** **** Jul. 6, 2010**

(54) **EYE GLASS CLIP WITH ADJUSTABLE
BOOM MOUNTED LIGHT**

(76) Inventor: **Michael Cristoforo**, 5155 SW. Bimini
Cir. S, Palm City, FL (US) 34990

(**) Term: **14 Years**

(21) Appl. No.: **29/338,461**

(22) Filed: **Jun. 11, 2009**

Related U.S. Application Data

(63) Continuation of application No. 29/329,544, filed on
Dec. 17, 2008, now Pat. No. Des. 602,620.

(51) **LOC (9) Cl.** **26-05**

(52) **U.S. Cl.** **D26/60; D26/38**

(58) **Field of Classification Search** D26/24,
D26/26, 37, 38, 39, 40, 44, 47, 49, 51, 52,
D26/57, 60, 61, 63, 67, 72, 73, 88, 95, 113,
D26/118, 125, 156, 85, 89; D13/107, 108;
D14/432, 435.1, 255, 356; D23/366, 367,
D23/369; 362/217.02, 640, 641, 642, 643,
362/644, 652, 653, 657, 658, 659, 477, 88,
362/89, 98, 103, 104, 105, 109, 157, 171,
362/183, 190, 191, 194, 195, 249.1, 249.11,
362/311.01, 311.04, 311.05, 806, 147, 404;
D16/309, 323, 330, 336, 341, 900

See application file for complete search history.

(56) **References Cited**

U.S. PATENT DOCUMENTS

D405,203 S * 2/1999 Tobianski D26/60
D405,901 S * 2/1999 Feinbloom et al. D26/39
D415,301 S * 10/1999 Stacy et al. D26/63

D464,750 S * 10/2002 Cooper D26/28
D473,963 S * 4/2003 Chun D26/51
D482,812 S * 11/2003 Cooper D26/60
D524,976 S * 7/2006 Hodgson D26/60
D591,439 S * 4/2009 Cristoforo D26/39
D599,046 S * 8/2009 Cristoforo D26/39
D602,620 S * 10/2009 Cristoforo D26/60
D609,376 S * 2/2010 Cristoforo et al. D26/38

* cited by examiner

Primary Examiner—Jennifer Rivard

Assistant Examiner—Angela J Lee

(74) *Attorney, Agent, or Firm*—McHale & Slavin, P.A.

(57) **CLAIM**

The ornamental design for a eye glass clip with adjustable boom mounted light, as shown and described.

DESCRIPTION

FIG. 1 is a perspective view of the eye glass clip with adjustable boom mounted light of the instant invention;

FIG. 2 is a front view thereof;

FIG. 3 is a rear view thereof;

FIG. 4 is a left side view thereof;

FIG. 5 is a right side view thereof;

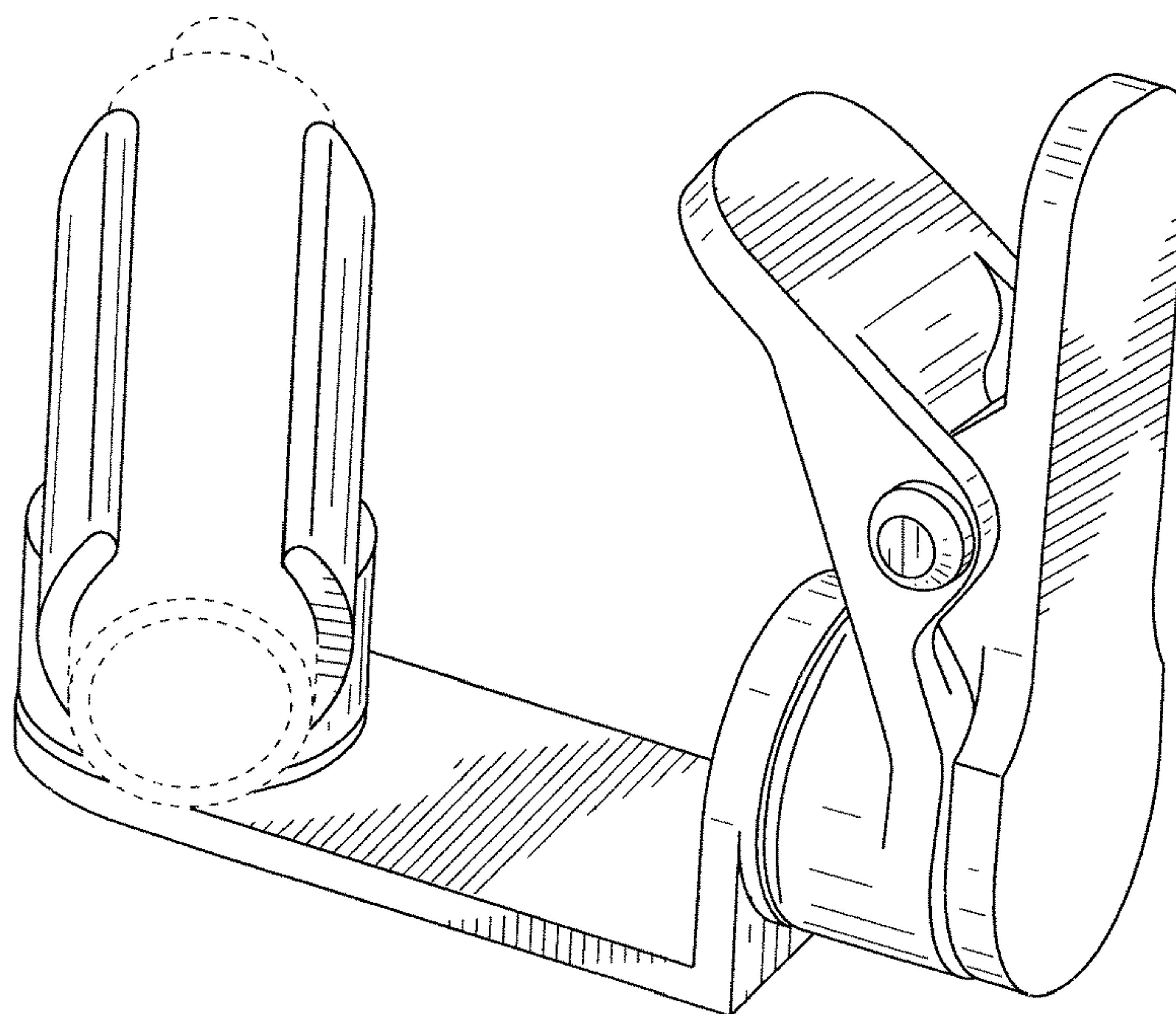
FIG. 6 is a top view thereof;

FIG. 7 is a bottom view thereof; and,

FIG. 8 is a perspective view illustrating the instant invention secure to a pair of eyeglasses.

The portions of figures illustrated in broken lines are for environmental purposes only and form no part of the claimed design.

1 Claim, 8 Drawing Sheets



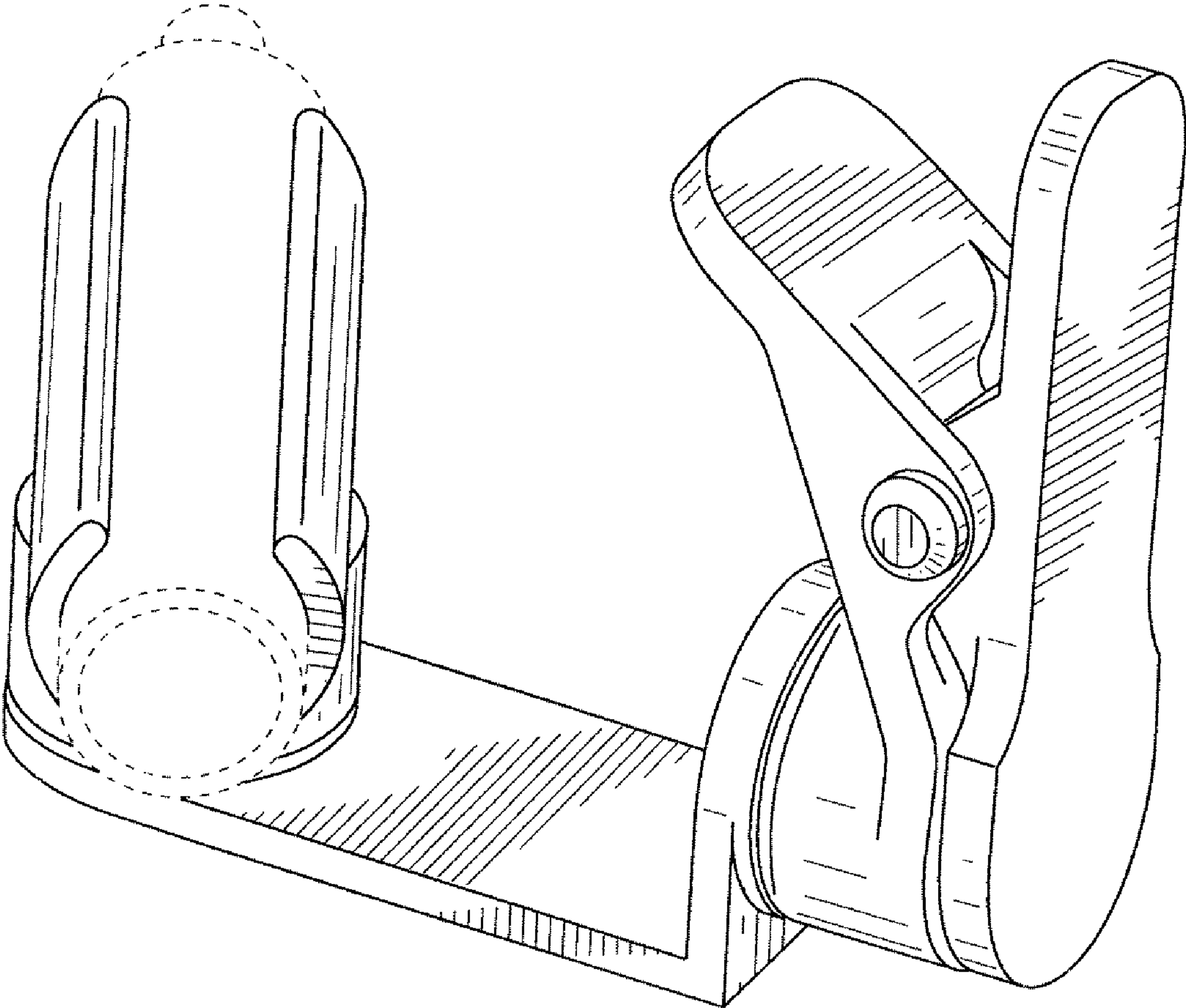


FIG. 1

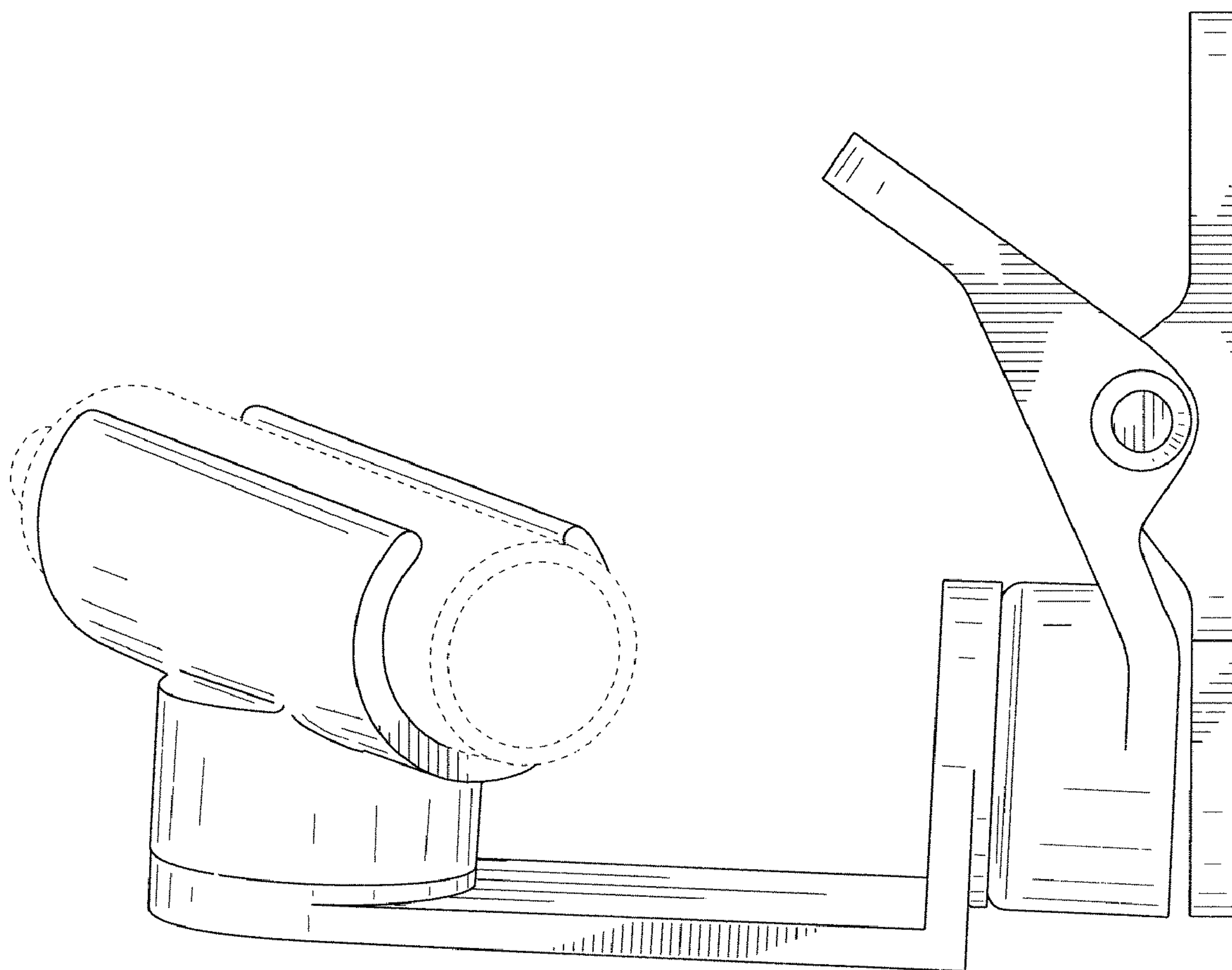


FIG. 2

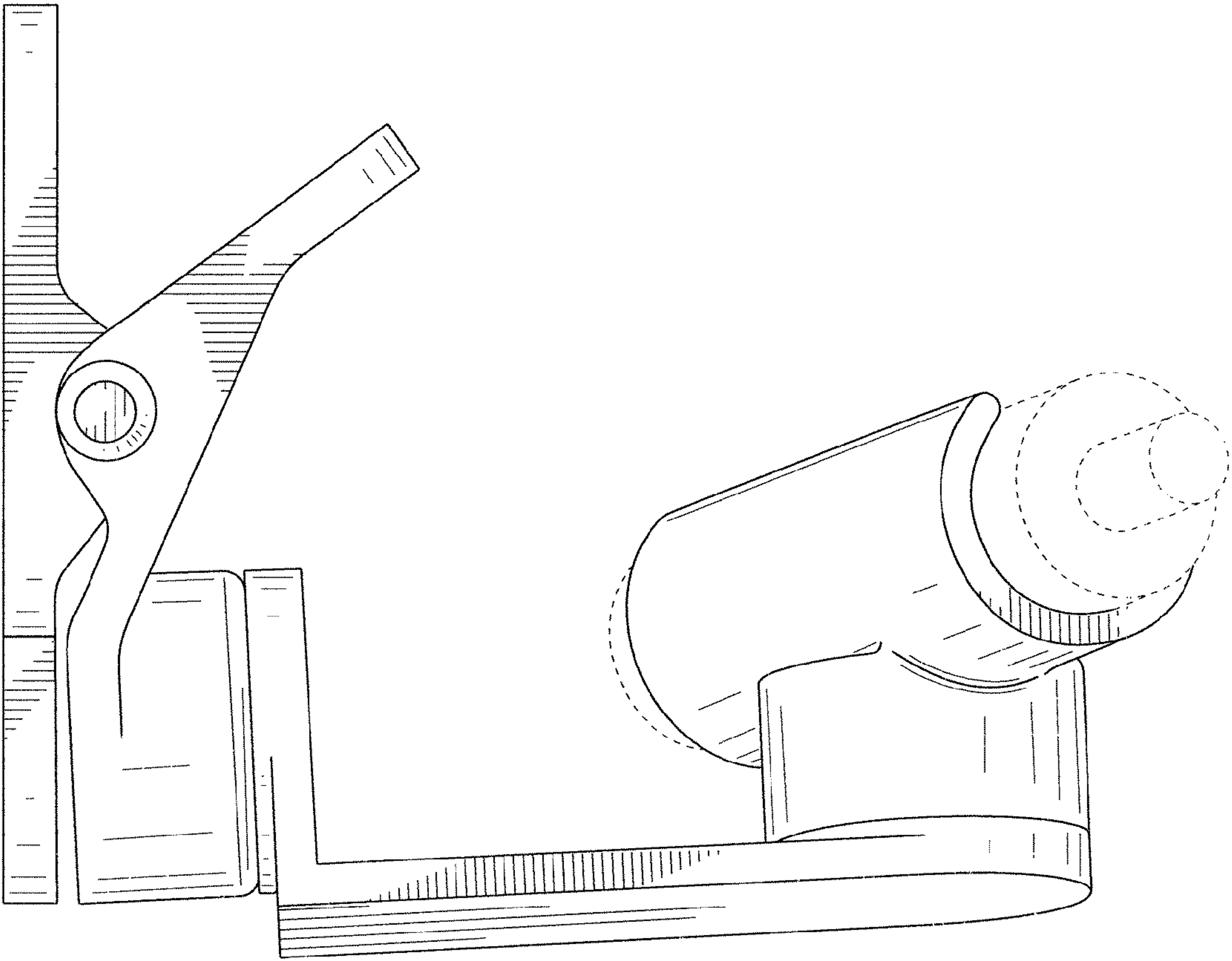


FIG. 3

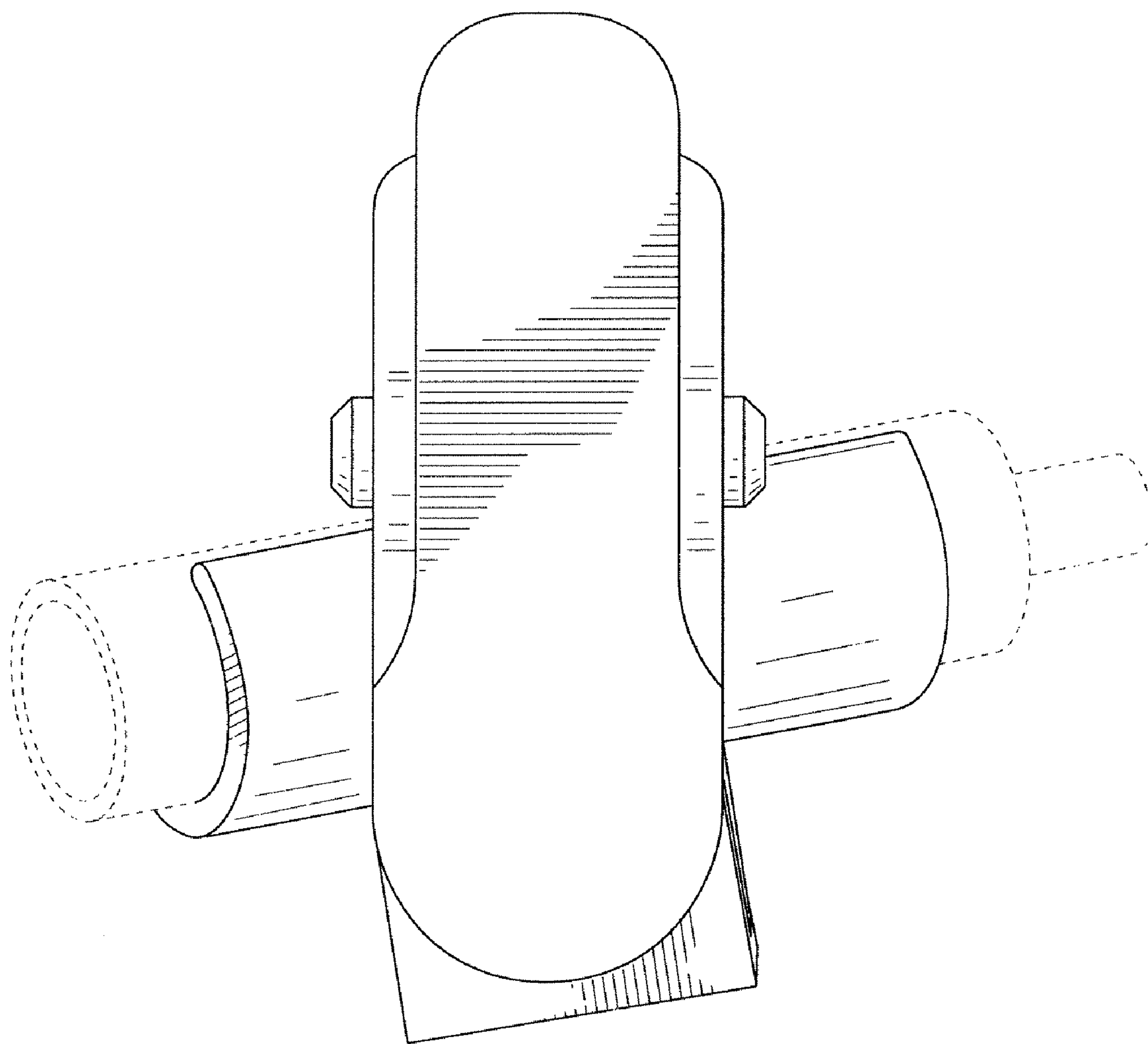


FIG. 4

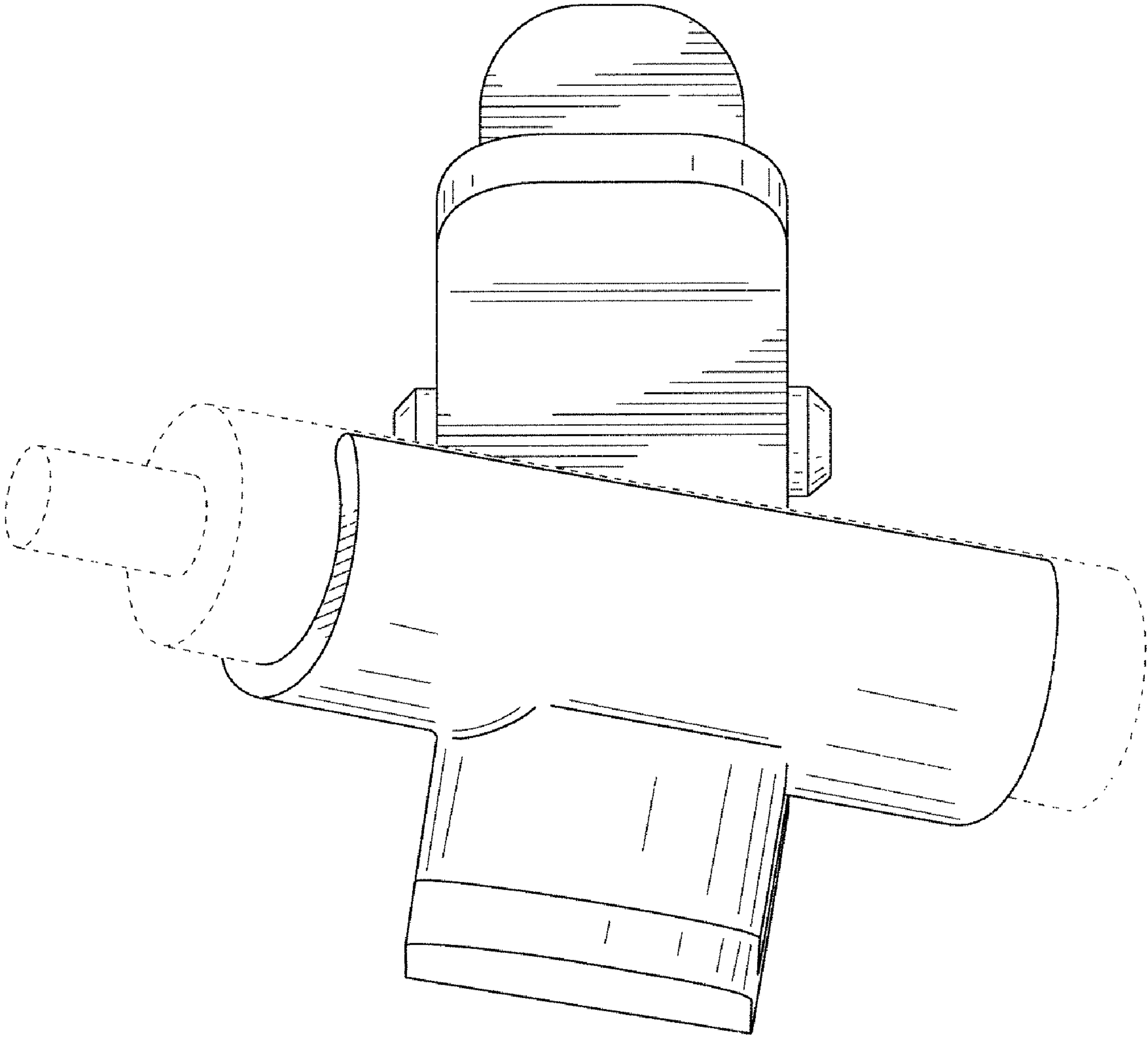


FIG. 5

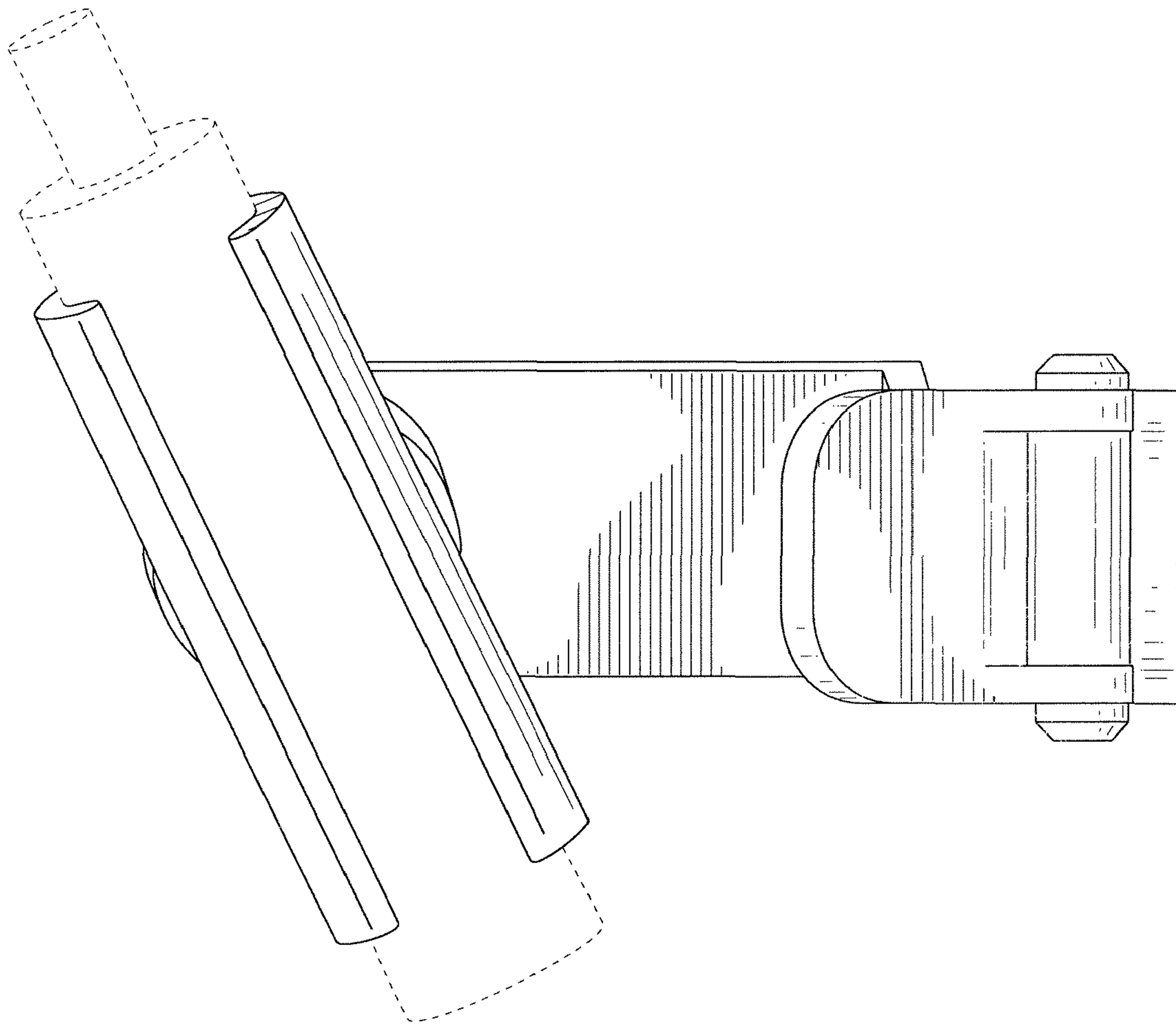


FIG. 6

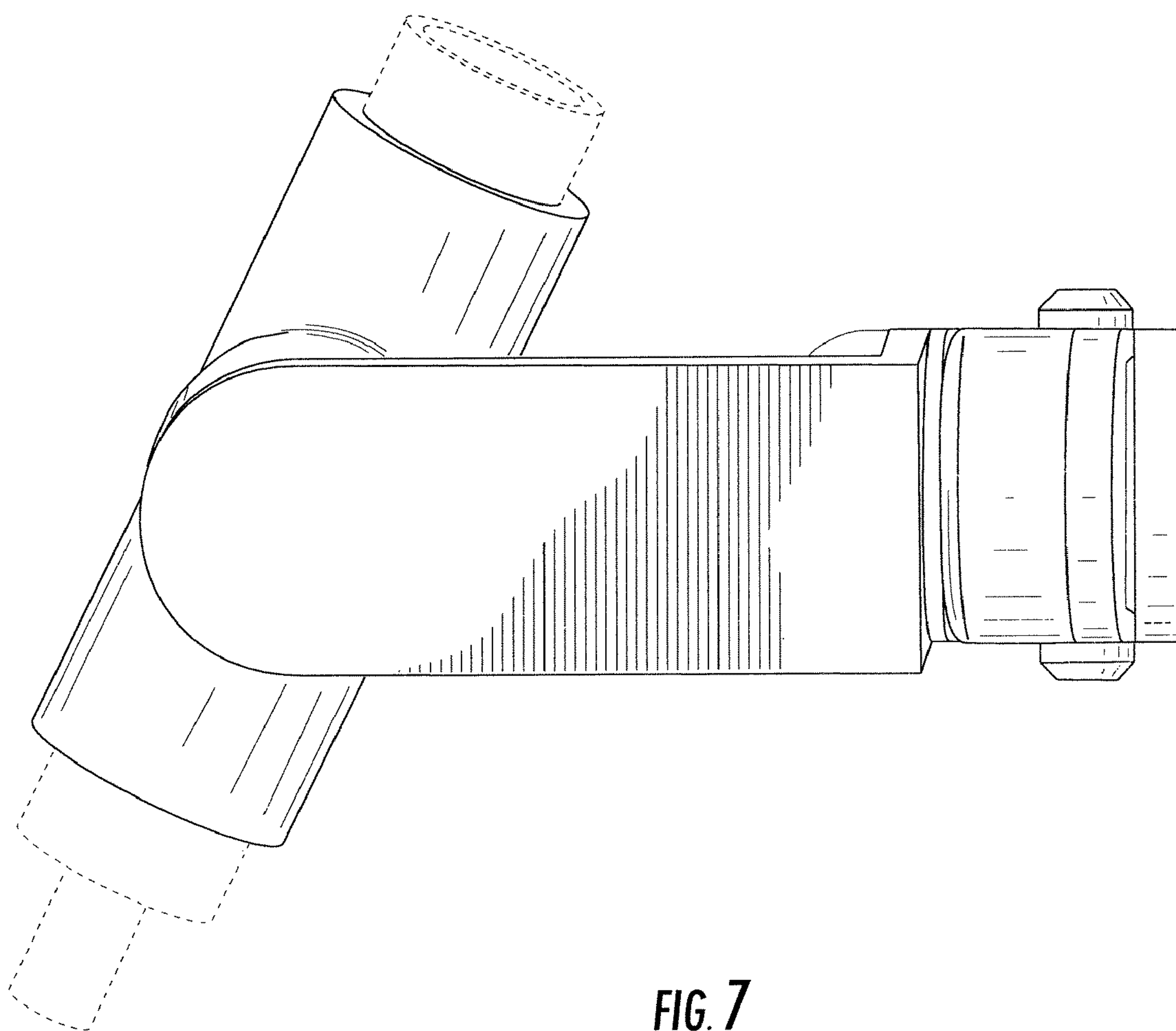


FIG. 7

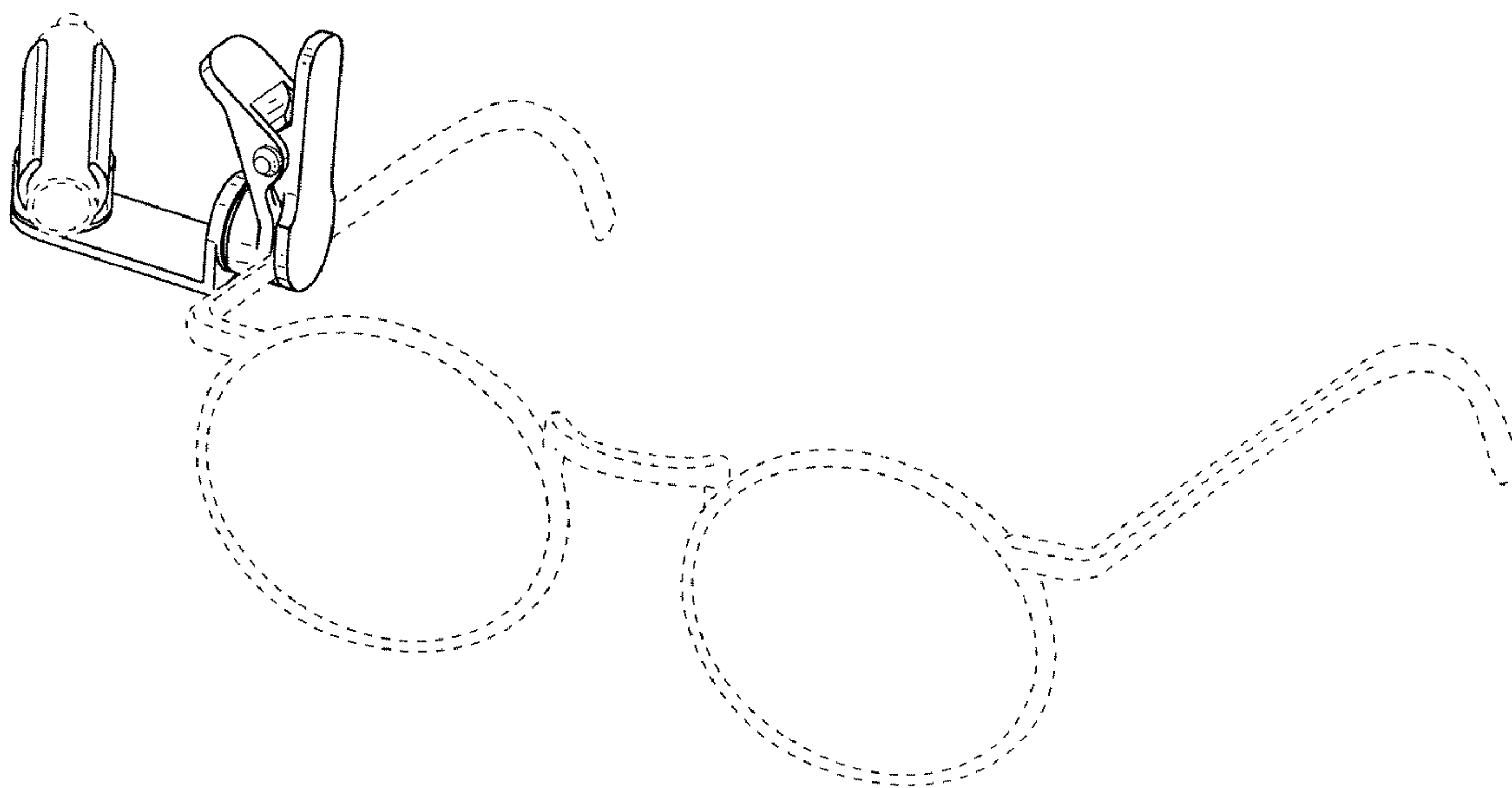


FIG. 8