



US00D619284S

(12) **United States Design Patent**
Kim

(10) **Patent No.:** **US D619,284 S**
(45) **Date of Patent:** **** Jul. 6, 2010**

(54) **FLASHLIGHT HEAD HAVING A RECESSED PORTION**

(75) Inventor: **Paul Y. Kim**, Santa Ana, CA (US)

(73) Assignee: **SureFire, LLC**, Fountain Valley, CA (US)

(**) Term: **14 Years**

(21) Appl. No.: **29/325,328**

(22) Filed: **Sep. 29, 2008**

(51) **LOC (9) Cl.** **26-02**

(52) **U.S. Cl.** **D26/49**

(58) **Field of Classification Search** D26/37,
D26/38, 40-50; 362/157, 158, 183-199,
362/202-208

See application file for complete search history.

(56) **References Cited**

U.S. PATENT DOCUMENTS

D417,022 S *	11/1999	Chiu	D26/49
D419,254 S *	1/2000	Chiu	D26/49
D443,091 S	5/2001	van Klinken		
D455,510 S *	4/2002	Galli	D26/37
D455,513 S	4/2002	Galli		
6,536,917 B1	3/2003	Aperocho et al.		
D473,961 S	4/2003	Galli		
D474,295 S *	5/2003	Bruwer	D26/37
D475,798 S	6/2003	Galli		
D476,101 S *	6/2003	Bruwer	D26/37
D476,103 S	6/2003	Galli		
D482,710 S *	11/2003	Ho	D16/132
D489,469 S *	5/2004	Liou	D26/37
D491,305 S *	6/2004	Copeland	D26/49
6,793,366 B2	9/2004	Chun		
D501,054 S	1/2005	Galli		
D517,230 S *	3/2006	Ho	D26/37
D523,981 S *	6/2006	Galli	D26/37
D525,379 S *	7/2006	Maxik et al.	D26/37
D526,730 S	8/2006	Galli		
D535,417 S *	1/2007	Martin	D26/37
D535,418 S *	1/2007	Martin	D26/37
7,163,314 B2	1/2007	Sharrah		

D544,116 S *	6/2007	Wai	D26/37
D544,120 S *	6/2007	Matthews et al.	D26/37
D548,380 S *	8/2007	Wai	D26/37
D553,272 S *	10/2007	Leung	D26/37
D560,014 S *	1/2008	Lammel et al.	D26/61

(Continued)

FOREIGN PATENT DOCUMENTS

TW 552064 9/2003

(Continued)

OTHER PUBLICATIONS

U.S. Appl. No. 29/323,348, Paul Y. Kim.

(Continued)

Primary Examiner—Ian Simmons
Assistant Examiner—Carissa C Fitts

(74) *Attorney, Agent, or Firm*—Haynes and Boone, LLP

(57) **CLAIM**

The ornamental design for a flashlight head having a recessed portion, as shown and described.

DESCRIPTION

FIG. 1 is a front perspective view of a flashlight showing my new design;

FIG. 2 is a rear perspective view thereof;

FIG. 3 is a top plan view thereof;

FIG. 4 is a bottom plan view thereof;

FIG. 5 is a left side elevational view thereof;

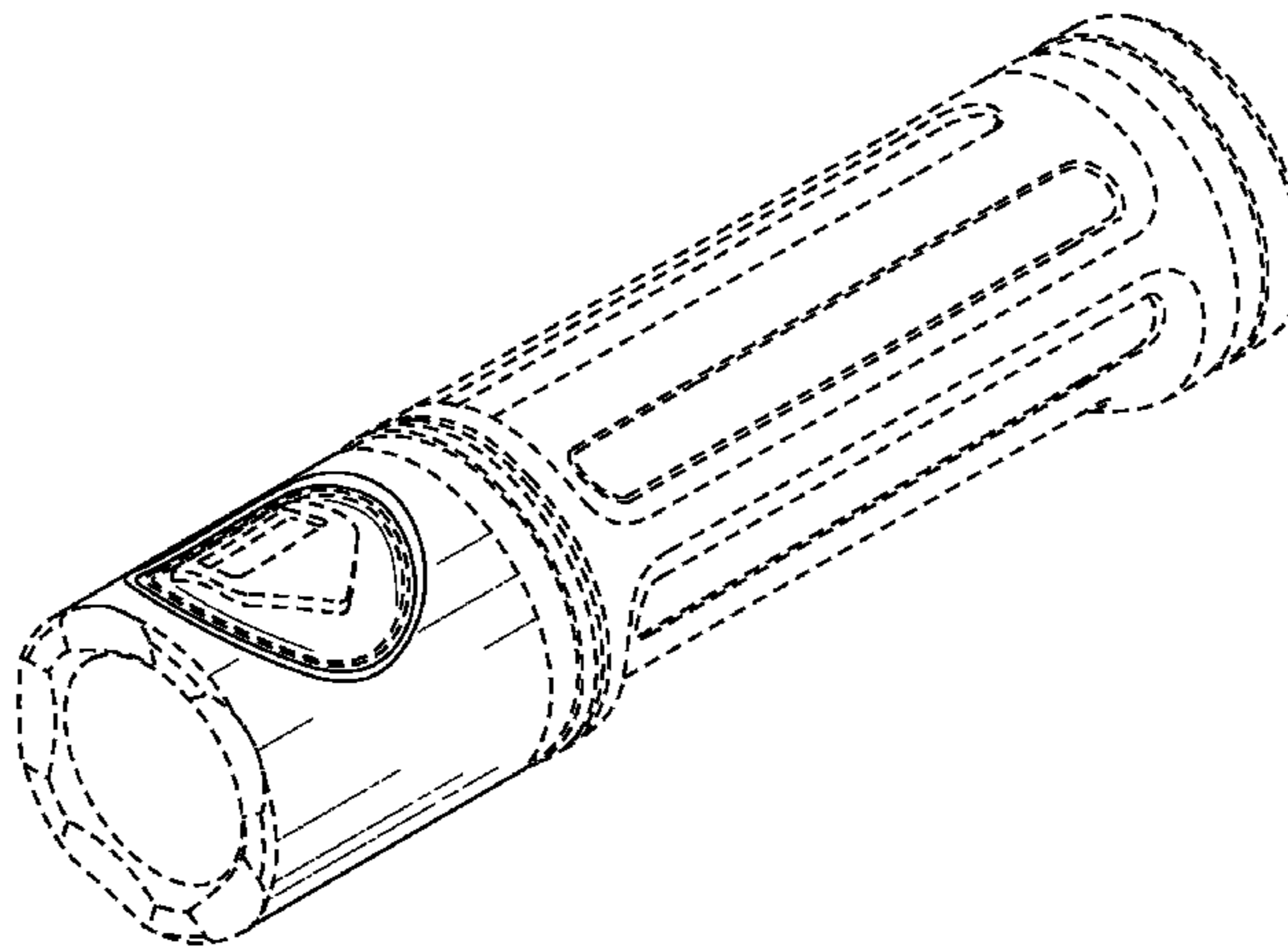
FIG. 6 is a right side elevational view thereof;

FIG. 7 is a front side elevational view thereof; and,

FIG. 8 is a rear side elevational view thereof.

The dashed lines in FIGS. 1-8 are shown for illustrative purposes and form no part of the claimed design.

1 Claim, 5 Drawing Sheets



US D619,284 S

Page 2

U.S. PATENT DOCUMENTS

D560,294 S * 1/2008 Parsons et al. D26/37
D560,295 S * 1/2008 Parsons et al. D26/37
D561,365 S * 2/2008 Huff D26/37
D565,220 S 3/2008 Galli
7,387,402 B1 6/2008 Lui
D576,324 S * 9/2008 Wolff et al. D26/39
D577,843 S 9/2008 Couture et al.
D599,045 S * 8/2009 Castellucci et al. D26/37
D604,435 S * 11/2009 Kingston et al. D26/37
D606,686 S * 12/2009 Kim D26/46

FOREIGN PATENT DOCUMENTS

TW 552065 9/2003

TW 585721 4/2004
TW 589103 5/2004

OTHER PUBLICATIONS

U.S. Appl. No. 29/323,350, Paul Y. Kim.
U.S. Appl. No. 29,323,351, Paul Y. Kim.
U.S. Appl. No. 29/323,353, Paul Y. Kim.
U.S. Appl. No. 29/335,191, Paul Y. Kim.
U.S. Appl. No. 29/335,192, Paul Y. Kim.
U.S. Appl. No. 29/335,188, Paul Y. Kim.
U.S. Appl. No. 12/240,778, Paul Y. Kim.

* cited by examiner

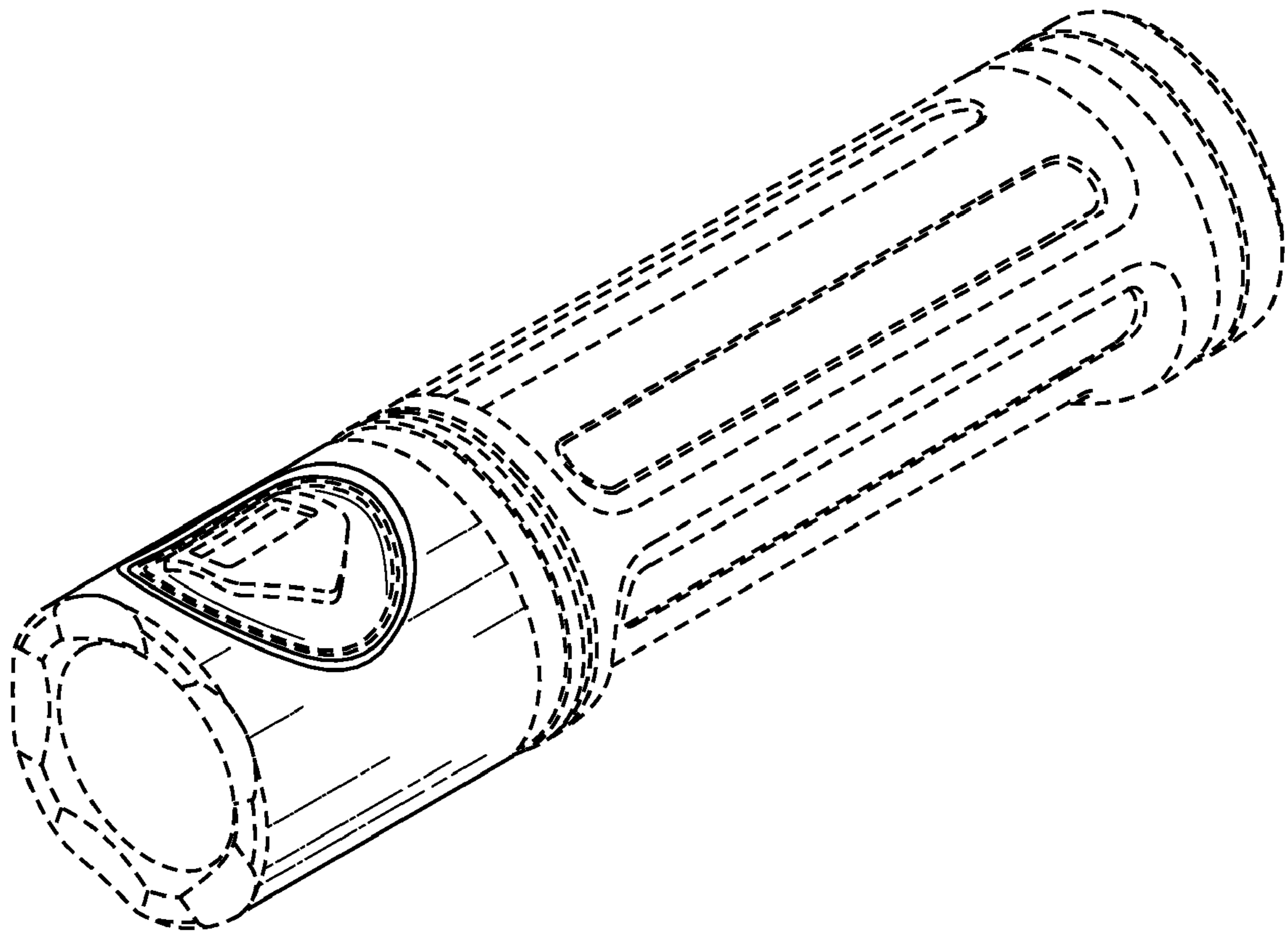


FIG. 1

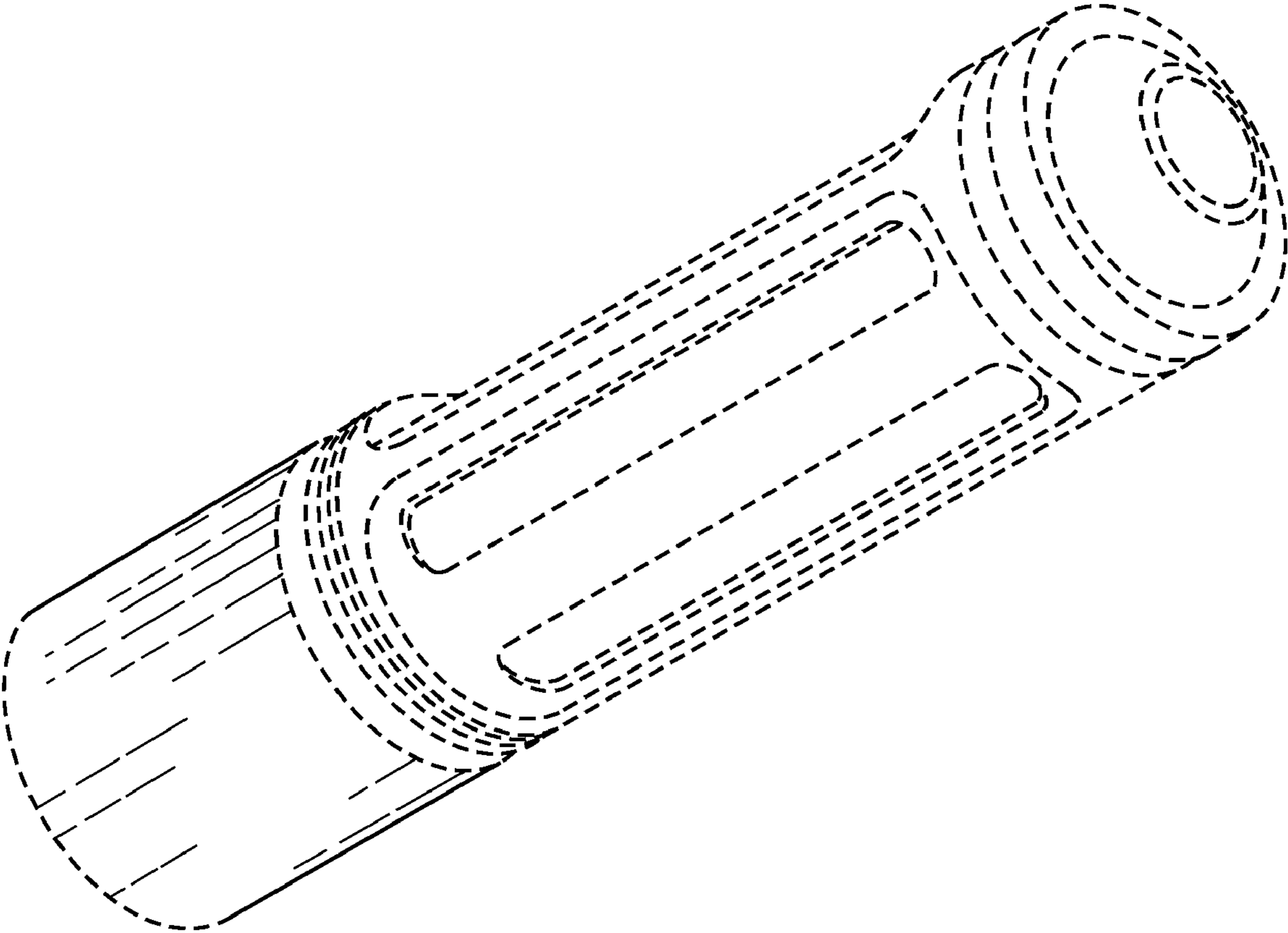


FIG. 2

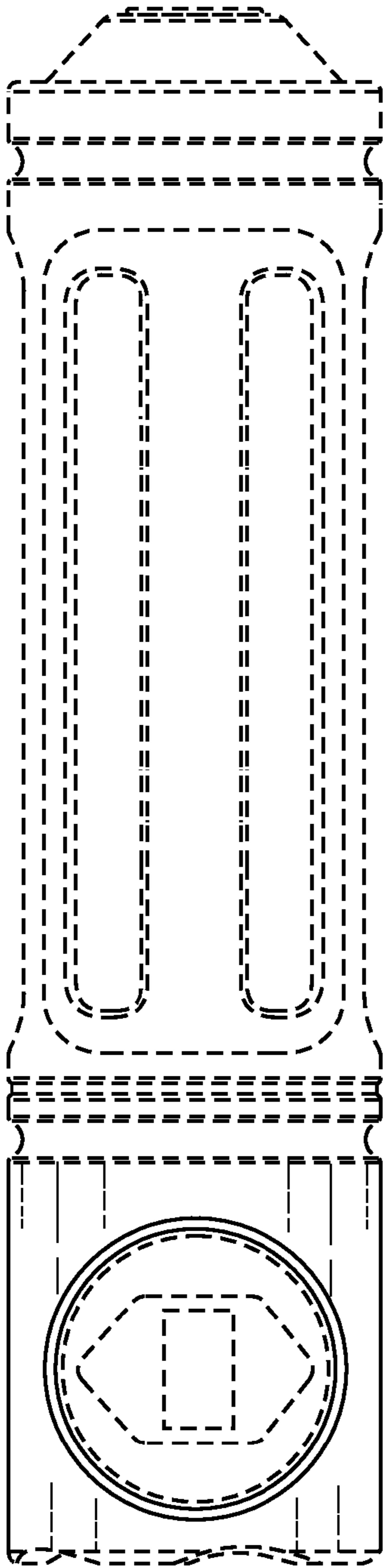


FIG. 3

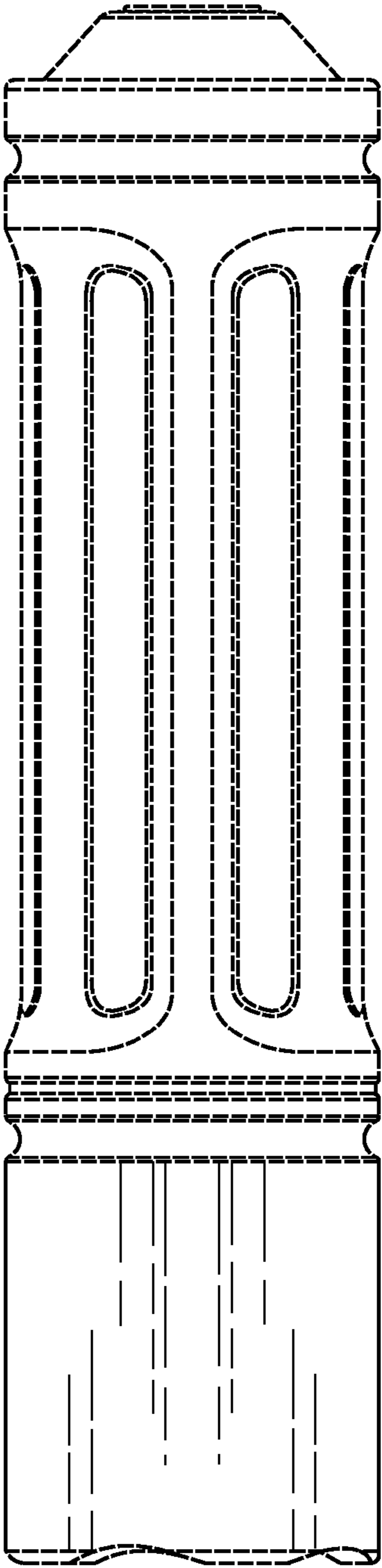


FIG. 4

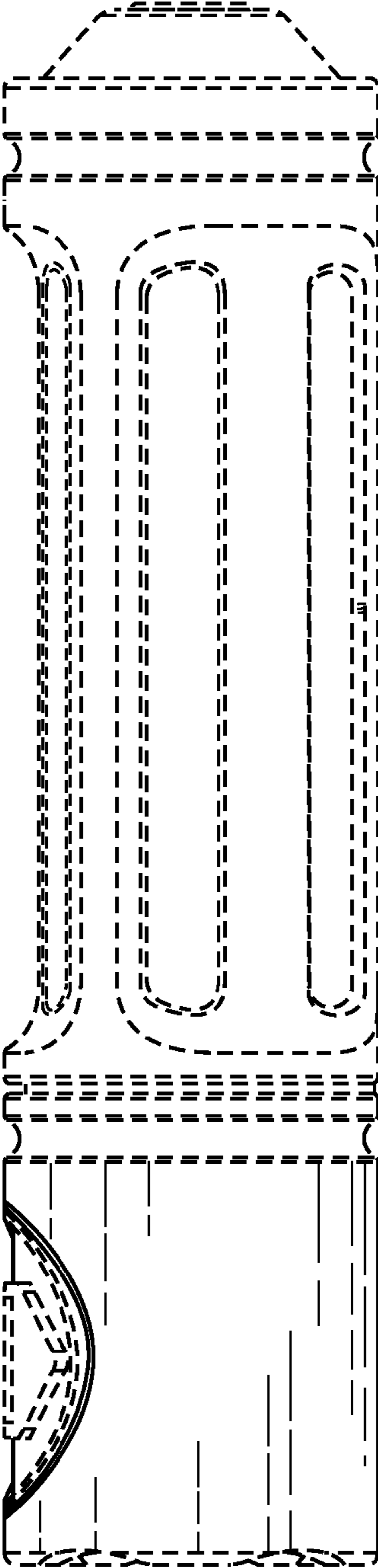


FIG. 5

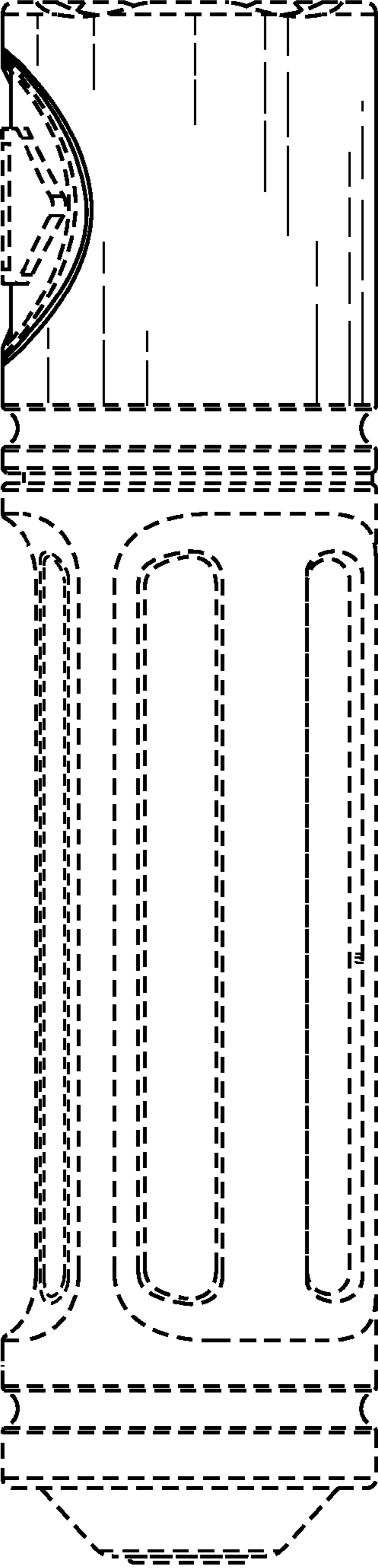


FIG. 6

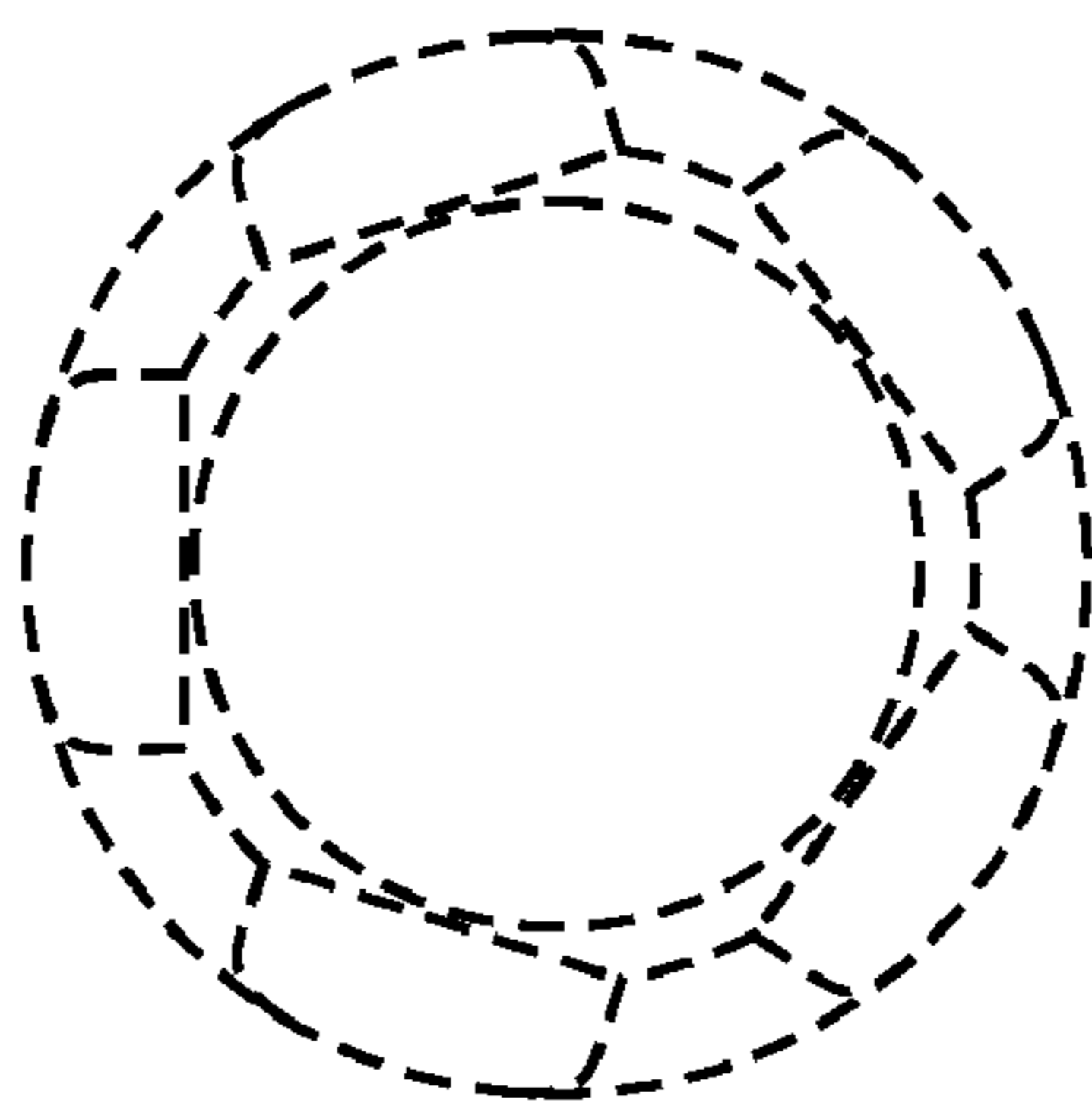


FIG. 7

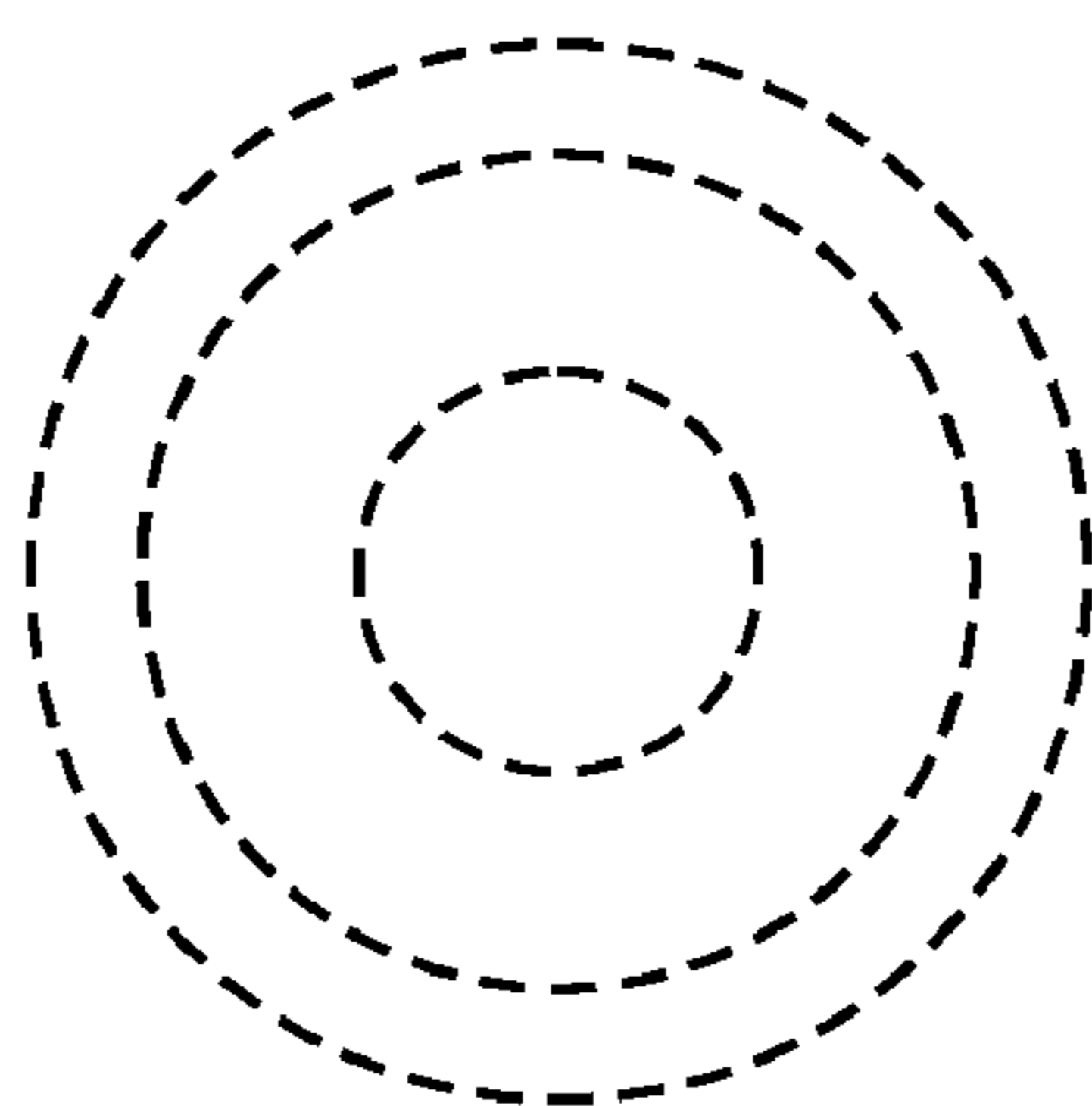


FIG. 8