



US00D619283S

(12) **United States Design Patent**
Galli

(10) **Patent No.:** **US D619,283 S**

(45) **Date of Patent:** **** Jul. 6, 2010**

(54) **FLASHLIGHT WITH CLIP INTERFACE**

D606,689 S * 12/2009 Bent D26/48

(76) Inventor: **Robert D. Galli**, 135 Circuit Dr., North
Kingstown, RI (US) 02852

* cited by examiner

Primary Examiner—Ian Simmons

Assistant Examiner—Carissa C Fitts

(**) Term: **14 Years**

(74) *Attorney, Agent, or Firm*—Barlow, Josephs & Holmes,
Ltd.

(21) Appl. No.: **29/350,102**

(22) Filed: **Nov. 11, 2009**

(57) **CLAIM**

(51) **LOC (9) Cl.** **26-02**

The ornamental design for a flashlight with clip interface, as
shown and described.

(52) **U.S. Cl.** **D26/46**

(58) **Field of Classification Search** D26/37,

D26/38, 39, 42, 46, 49, 50; 362/157, 158,
362/183, 184, 187–196, 200–208, 396

See application file for complete search history.

DESCRIPTION

(56) **References Cited**

U.S. PATENT DOCUMENTS

D419,251 S *	1/2000	Parsons et al.	D26/38
D467,672 S *	12/2002	Galli	D26/37
D495,078 S *	8/2004	Galli	D26/49
D501,266 S *	1/2005	Harris, Jr. et al.	D26/37
D501,781 S *	2/2005	Galli	D8/99
D526,076 S *	8/2006	Krieger et al.	D26/37
D554,781 S *	11/2007	Shiu	D26/37
D571,941 S *	6/2008	Lee	D26/37
D593,694 S *	6/2009	Bent	D26/37

FIG. 1 is a perspective view showing my new design for a
flashlight with clip interface;

FIG. 2 is a bottom view thereof;

FIG. 3 is a top view thereof;

FIG. 4 is a right side view thereof;

FIG. 5 is a left side view thereof;

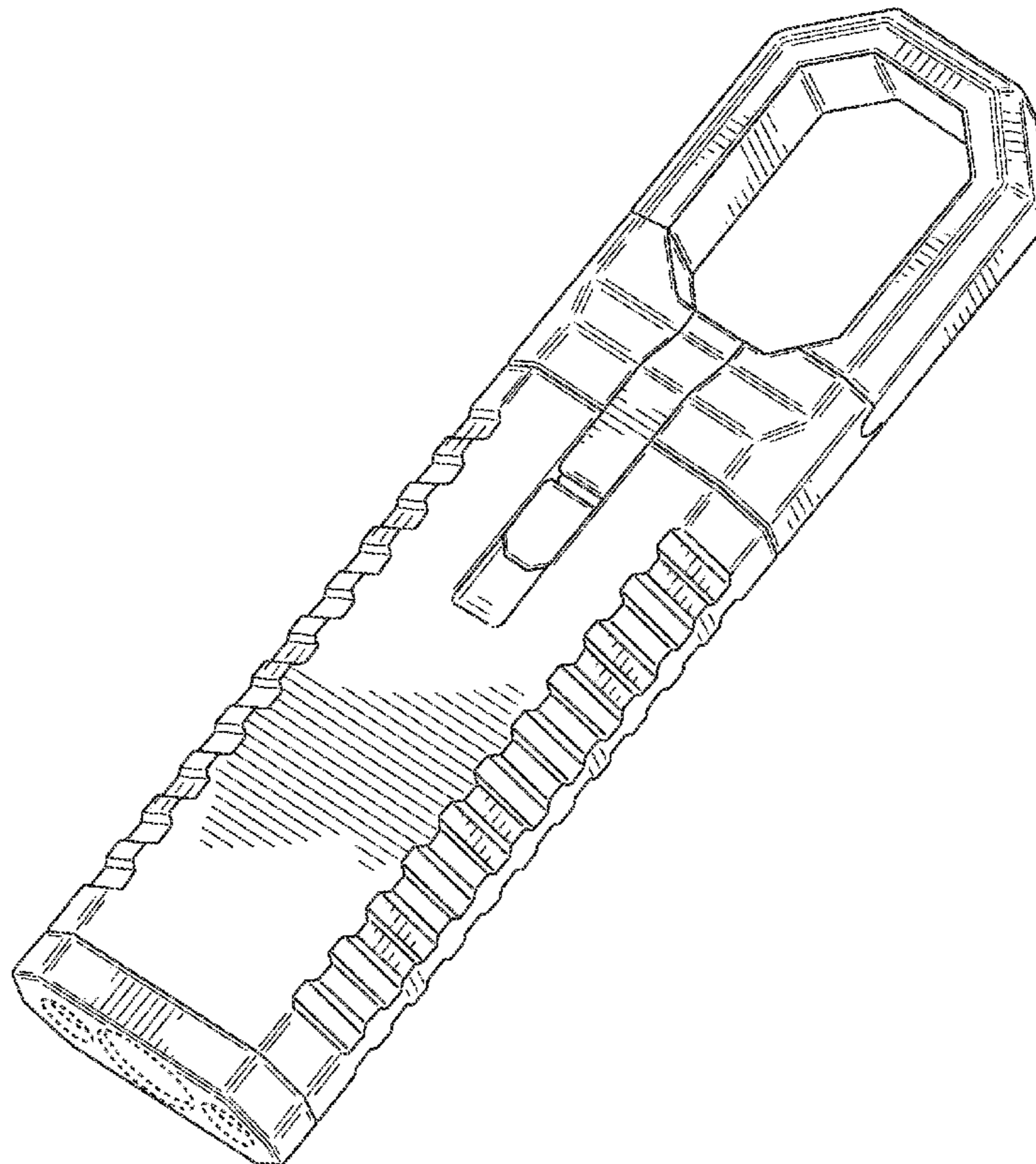
FIG. 6 is a back view thereof;

FIG. 7 is a front view thereof; and,

FIG. 8 is a perspective view showing the clip interface in an
alternate position.

The broken lines depicted in the figures are for reference only
and do not comprise part of the claimed subject matter.

1 Claim, 6 Drawing Sheets



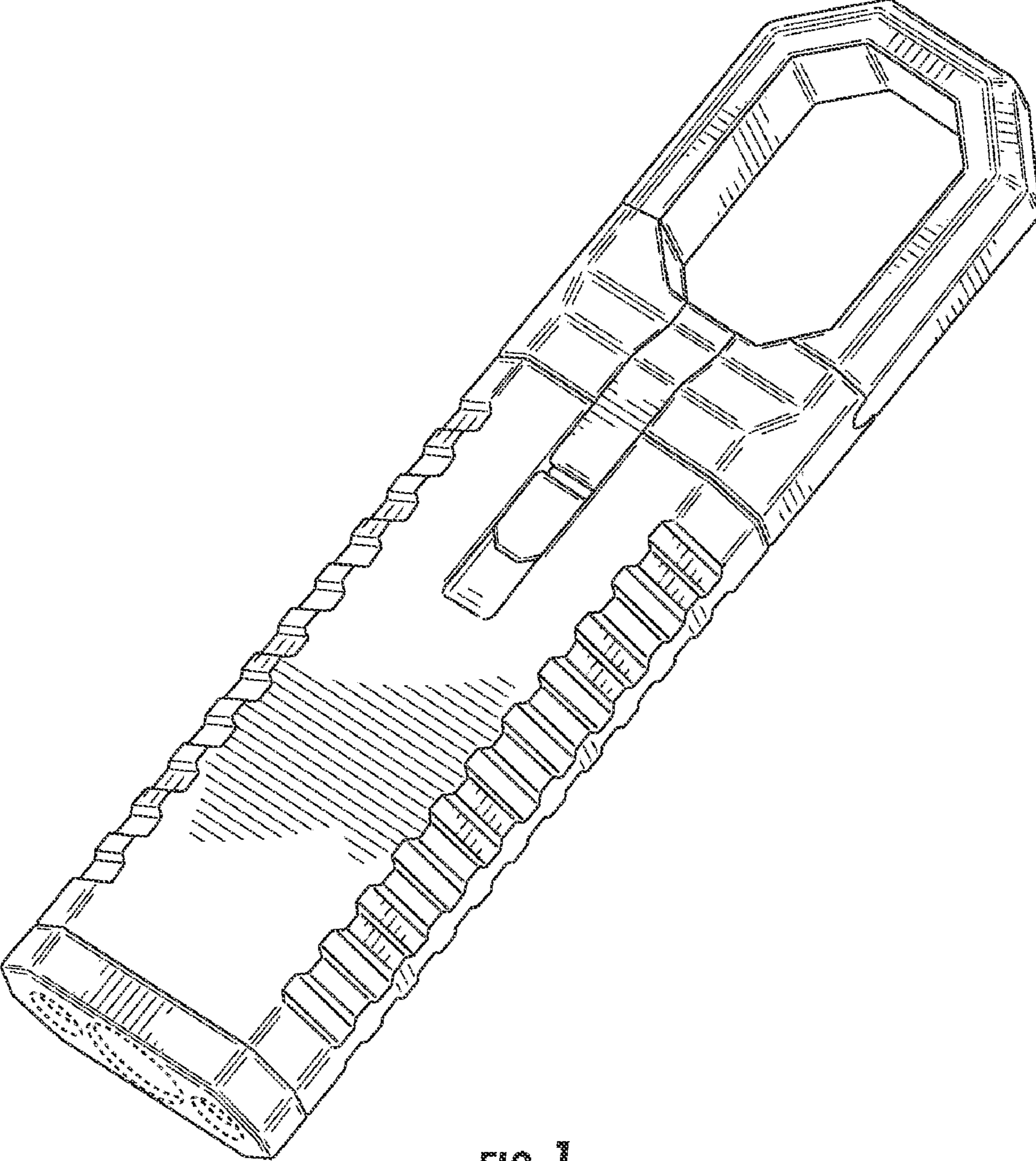


FIG. 1

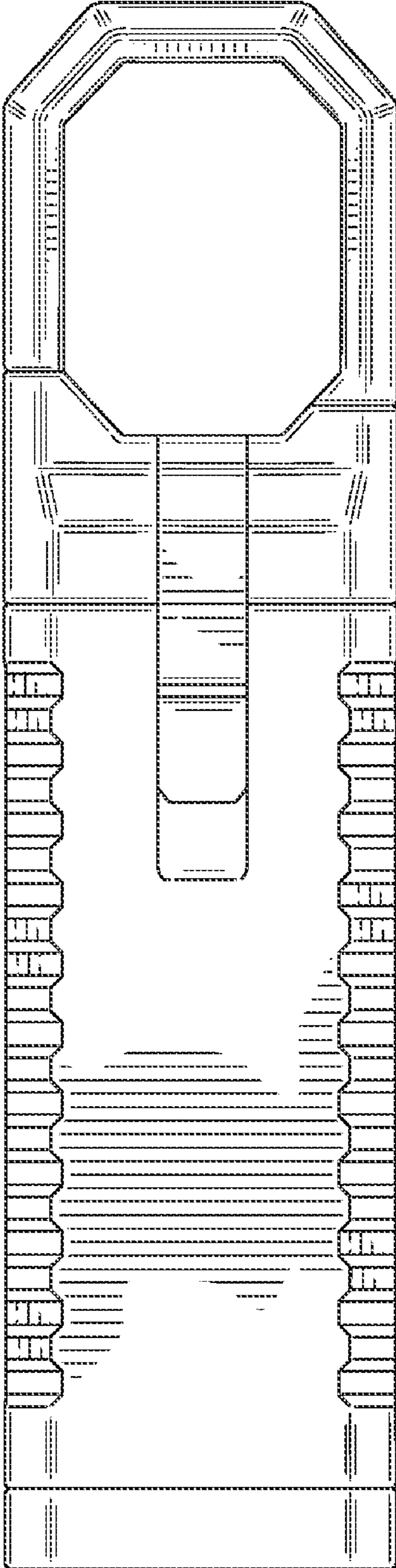


FIG. 2

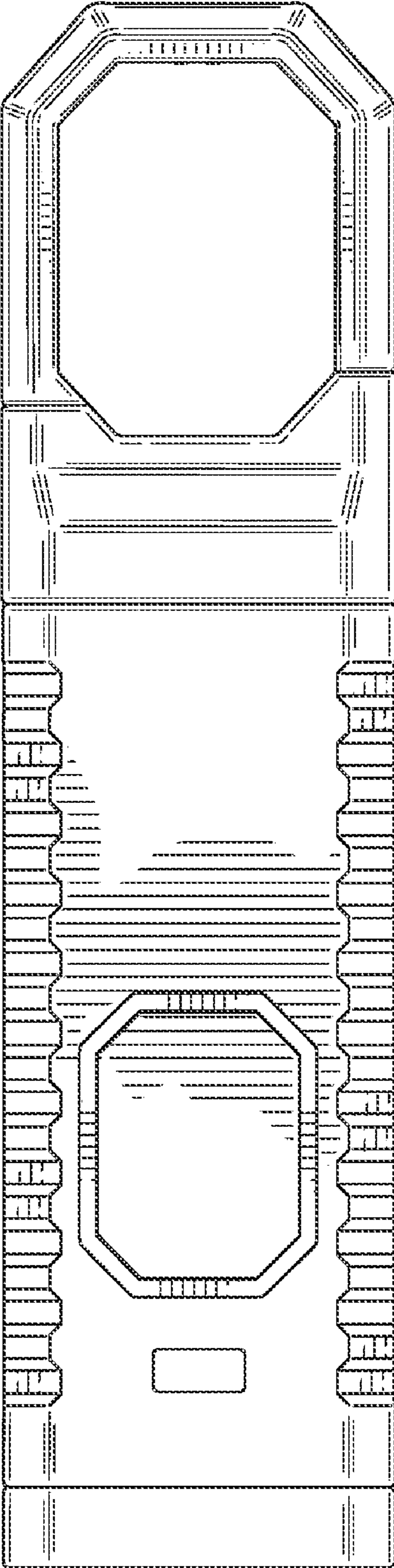


FIG. 3

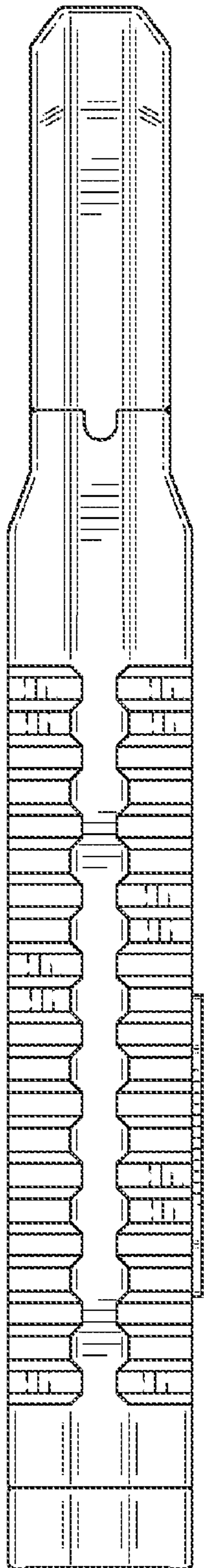


FIG. 4

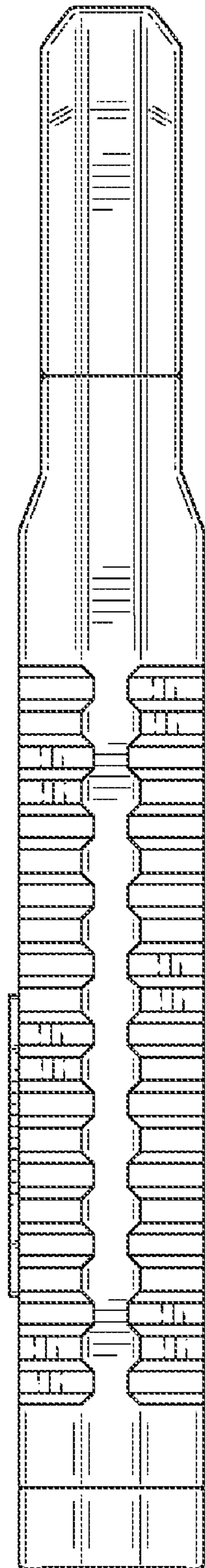


FIG. 5

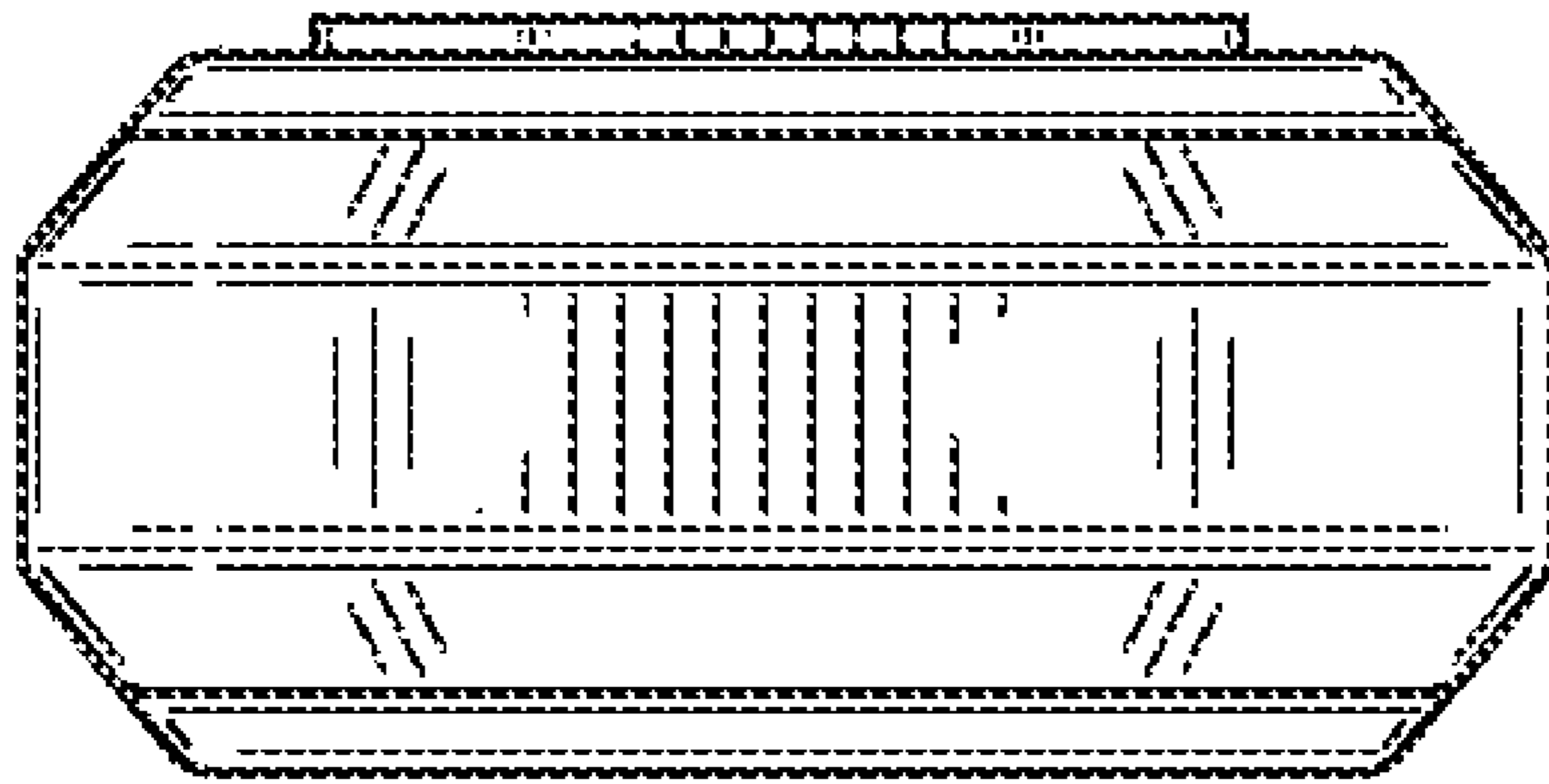


FIG. 6

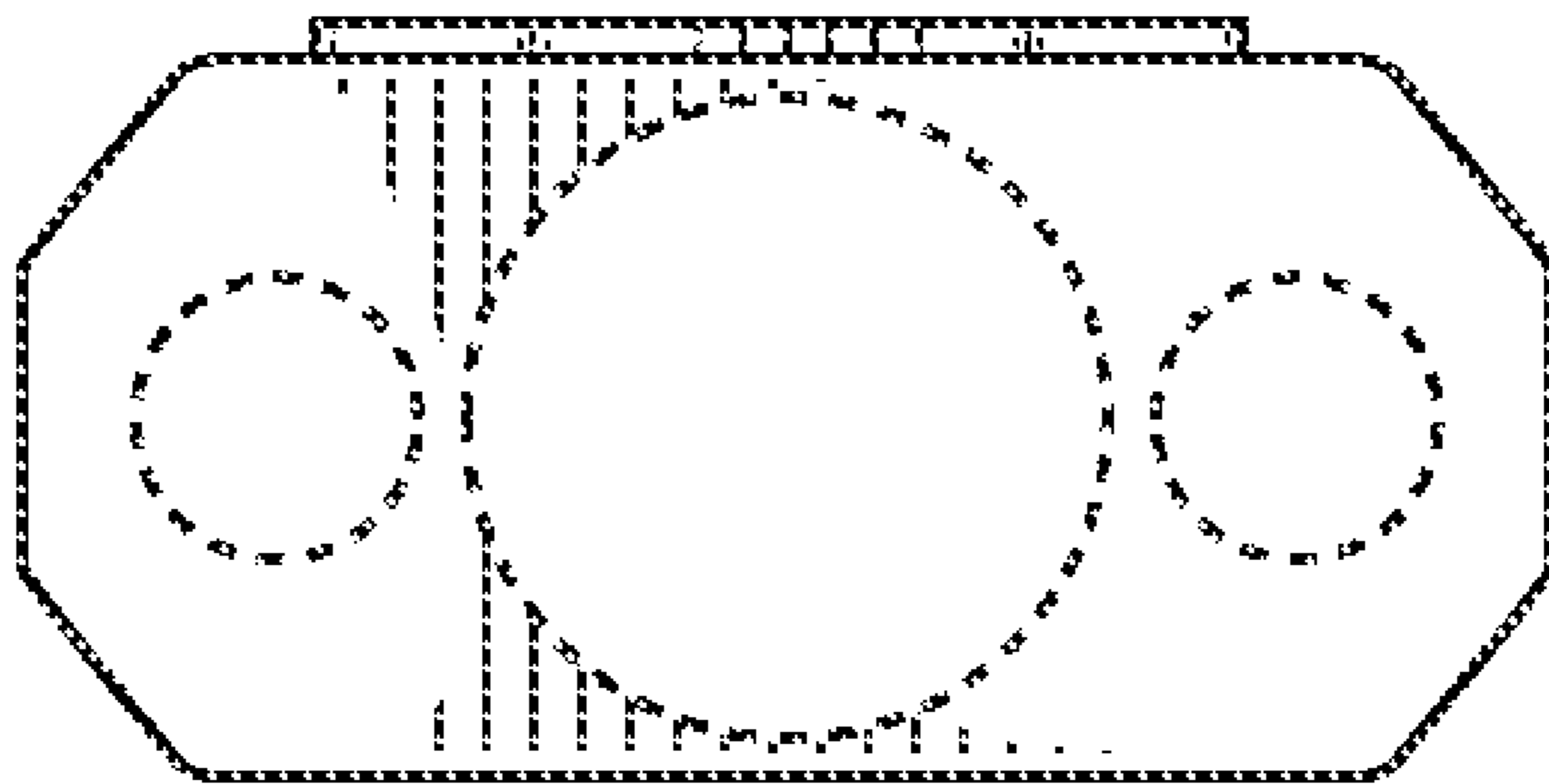


FIG. 7

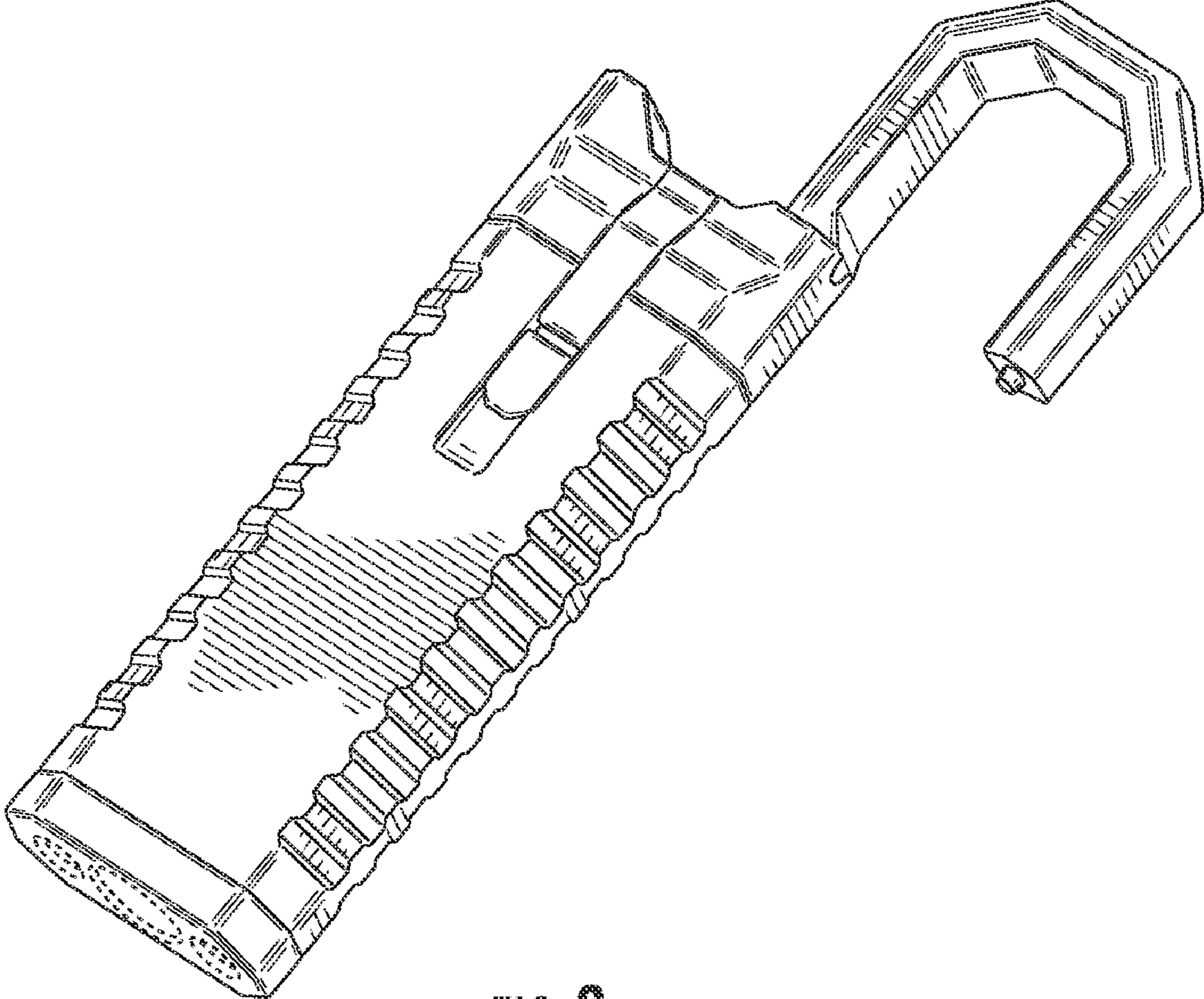


FIG. 8