



US00D619281S

(12) **United States Design Patent**  
**Toomey et al.**

(10) **Patent No.:** **US D619,281 S**

(45) **Date of Patent:** **\*\* Jul. 6, 2010**

(54) **FLASHLIGHT**

D523,236 S \* 6/2006 Martin ..... D3/209  
D538,192 S \* 3/2007 Martin ..... D10/106

(75) Inventors: **Eileen Toomey**, Norwood, NJ (US);  
**Sunita Tailor**, Parsippany, NJ (US)

\* cited by examiner

(73) Assignee: **American Tack & Hardware Co., Inc.**,  
Saddle River, NJ (US)

*Primary Examiner*—Ian Simmons  
*Assistant Examiner*—Carissa C Fitts  
(74) *Attorney, Agent, or Firm*—Hedman & Costigan PC;  
Kathleen A. Costigan

(\*\*) Term: **14 Years**

(21) Appl. No.: **29/344,461**

(57) **CLAIM**

(22) Filed: **Sep. 29, 2009**

The ornamental design for a flashlight, as shown and described.

(51) **LOC (9) Cl.** ..... **26-02**

(52) **U.S. Cl.** ..... **D26/37**

(58) **Field of Classification Search** ..... D26/37,  
D26/38, 42, 43, 48, 46, 49, 50; 362/157,  
362/158, 183, 184, 193–208, 253  
See application file for complete search history.

**DESCRIPTION**

FIG. 1 is a front elevational view of a flashlight showing our new design;

FIG. 2 is a rear elevational view thereof;

FIG. 3 is a left side elevational view thereof;

FIG. 4 is a right side elevational view thereof;

FIG. 5 is a top plan view thereof; and,

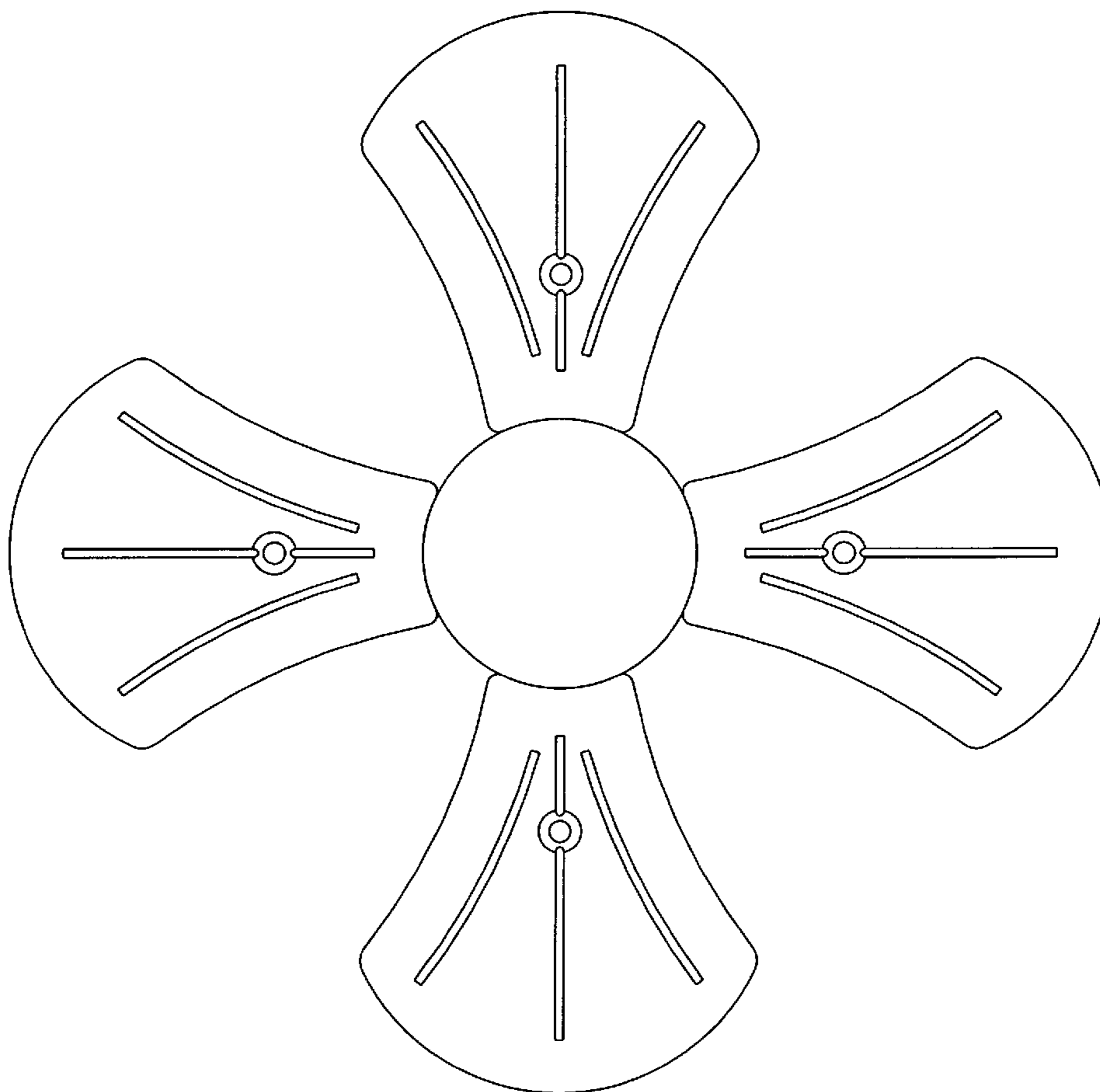
FIG. 6 is a bottom plan view thereof.

(56) **References Cited**

U.S. PATENT DOCUMENTS

D367,087 S \* 2/1996 Mathews ..... D21/483  
D446,325 S \* 8/2001 Guerrieri ..... D26/37  
D447,584 S \* 9/2001 Guerrieri ..... D26/37

**1 Claim, 6 Drawing Sheets**



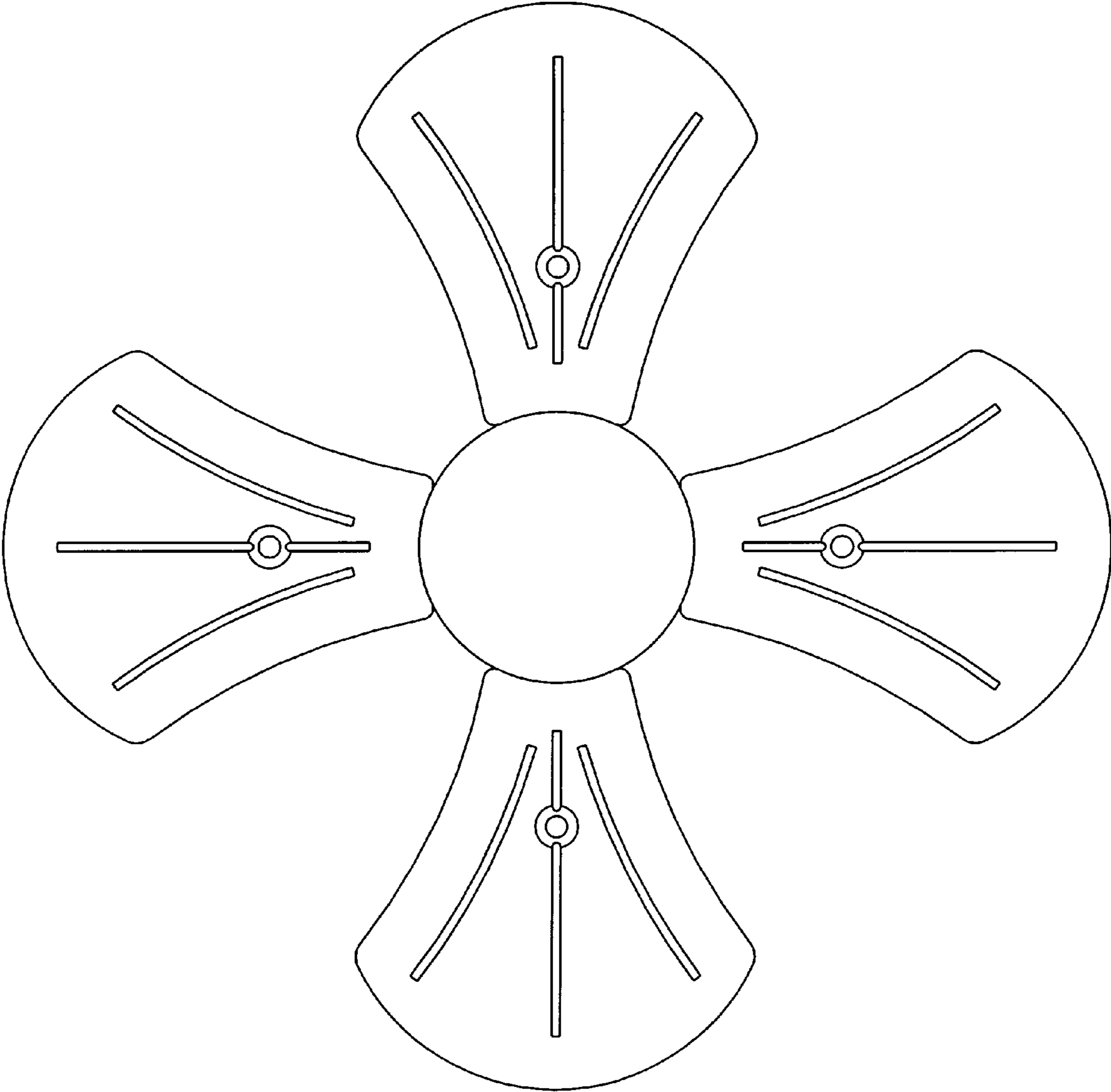


FIGURE 1

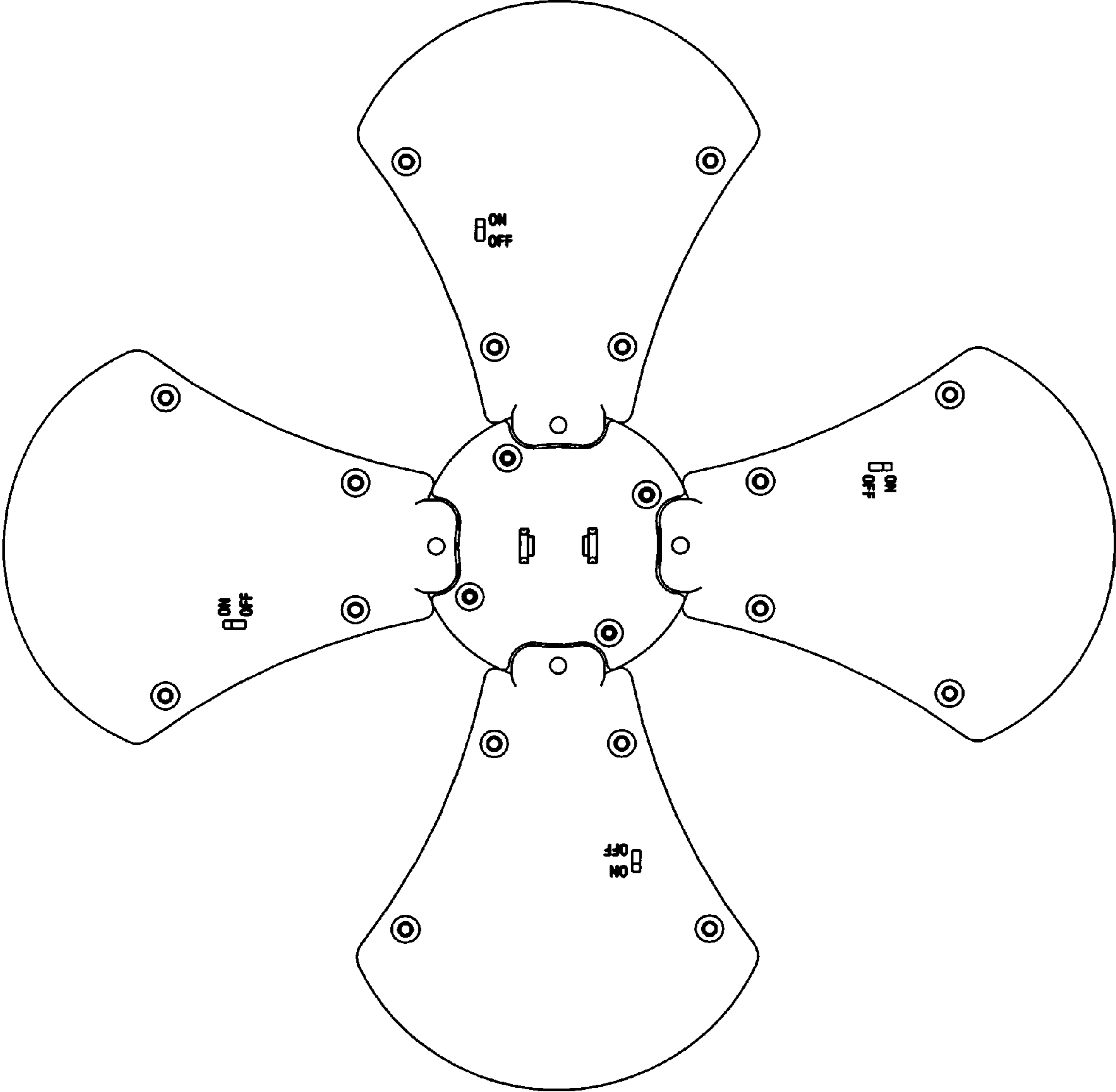


FIGURE 2

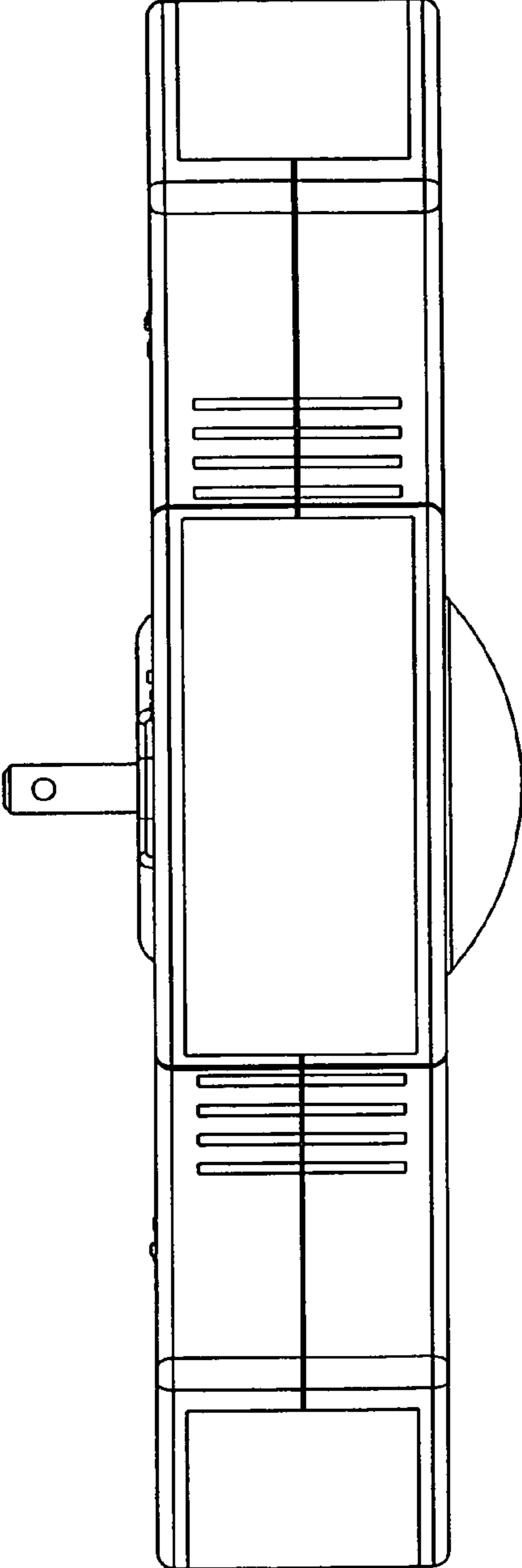


FIGURE 3

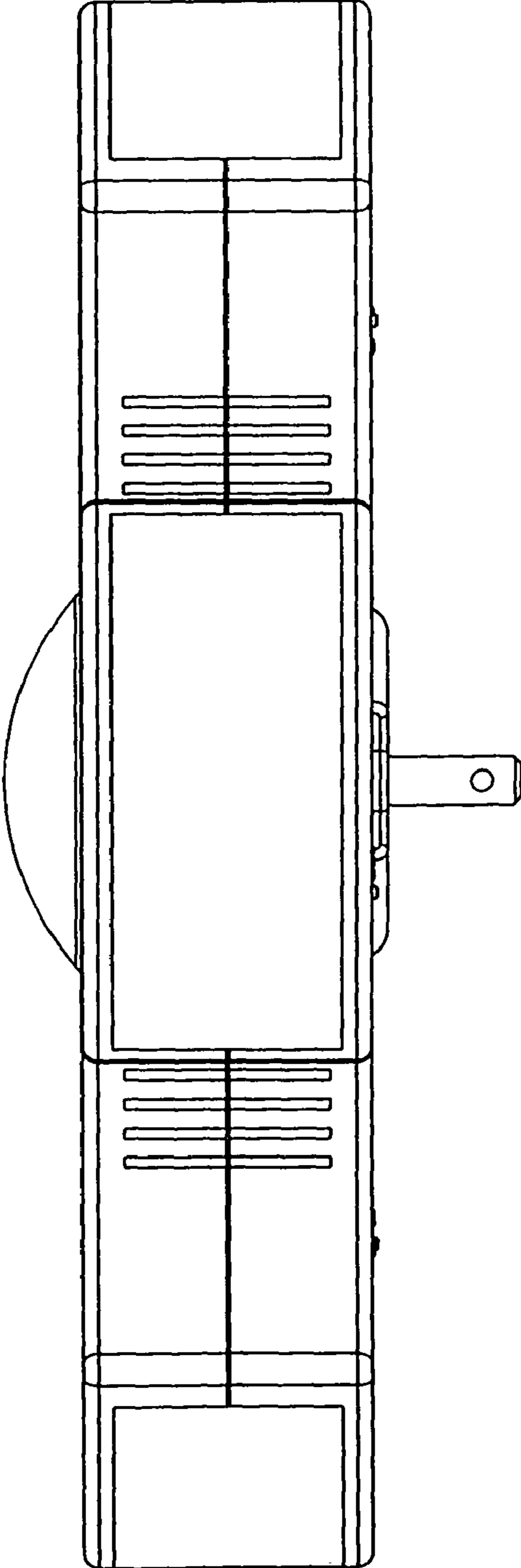


FIGURE 4

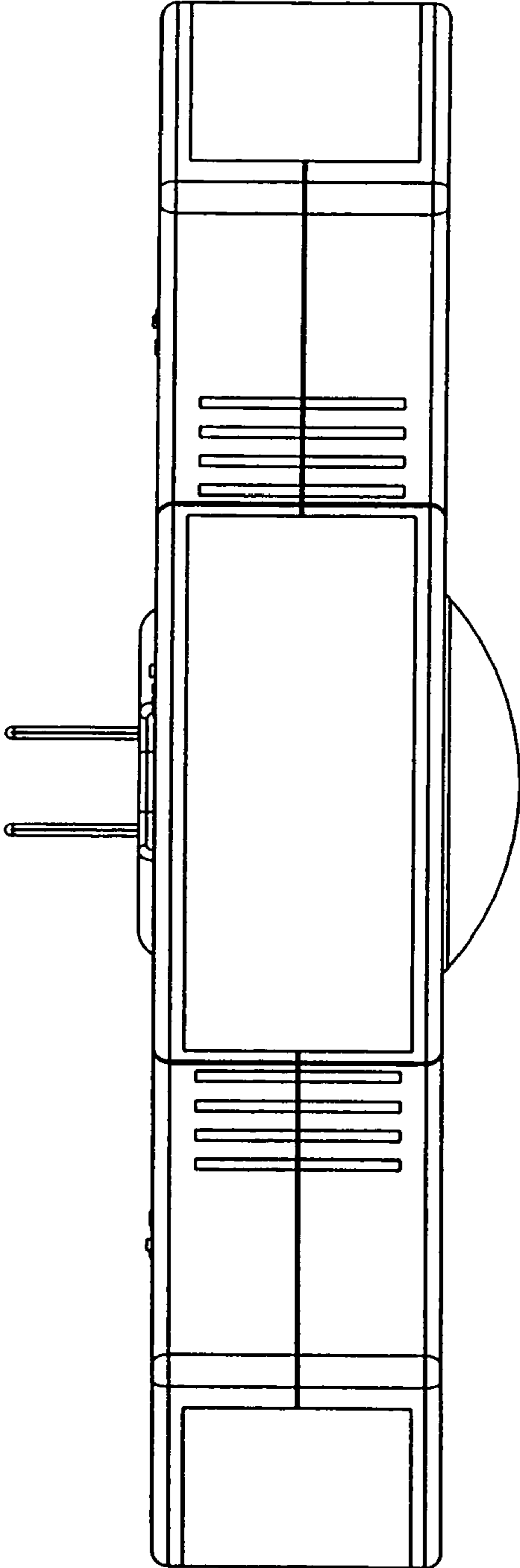


FIGURE 5

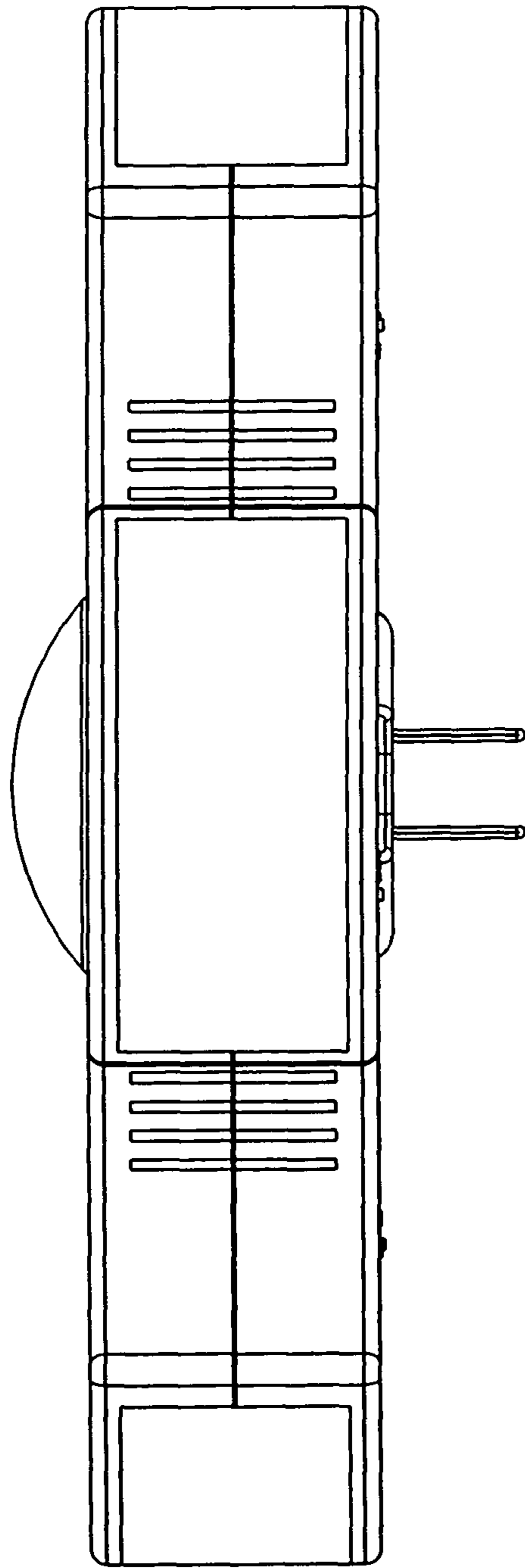


FIGURE 6