



US00D619279S

(12) **United States Design Patent**  
**Lamm**

(10) **Patent No.:** **US D619,279 S**  
(45) **Date of Patent:** **\*\* Jul. 6, 2010**

(54) **VEHICLE HEADLIGHT**

(75) Inventor: **Stefan Lamm**, Köln (DE)

(73) Assignee: **Ford Global Technologies, LLC**,  
Dearborn, MI (US)

(\*\*) Term: **14 Years**

(21) Appl. No.: **29/298,840**

(22) Filed: **Dec. 13, 2007**

(30) **Foreign Application Priority Data**

Aug. 23, 2007 (DE) ..... 4 07 04 268

(51) **LOC (9) Cl.** ..... **26-06**

(52) **U.S. Cl.** ..... **D26/28**

(58) **Field of Classification Search** ..... D26/28-36;  
362/459-468, 475-478, 485-487  
See application file for complete search history.

(56) **References Cited**

**U.S. PATENT DOCUMENTS**

D556,349 S \* 11/2007 Golden et al. .... D26/28  
D560,291 S \* 1/2008 Koyama ..... D26/28  
D561,358 S \* 2/2008 Tachibana ..... D26/28

**OTHER PUBLICATIONS**

<http://www.zercustoms.com/photos/Ford-Verve.html>.

\* cited by examiner

*Primary Examiner*—Marcus A Jackson  
(74) *Attorney, Agent, or Firm*—Damian Porcari

(57) **CLAIM**

The ornamental design for a vehicle headlight, as shown and described.

**DESCRIPTION**

FIG. 1 is a front elevational view of a right vehicle headlight (the left vehicle headlight being a mirror of the right and is not illustrated), the lens being rendered transparent using Computer Aided Design tools to more clearly illustrate the interior surfaces;

FIG. 2 is a front elevational view of the vehicle headlight, the lens being rendered opaque using Computer Aided Design tools to more clearly illustrate the exterior surfaces;

FIG. 3 is a left side view of the vehicle headlight;

FIG. 4 is a right side view of the vehicle headlight;

FIG. 5 is a top plan view of the vehicle headlight;

FIG. 6 is a bottom plan view of the vehicle headlight; and,

FIG. 7 is a rear view of the vehicle headlight.

To the extent that any feature lines are illustrated, they are intended to illustrate the crest and valley of the feature and are not necessarily sharp bends in the part. Shading is used to illustrate the curvature of the part and not color. The various views are not necessarily to scale in order to better illustrate the design.

**1 Claim, 7 Drawing Sheets**

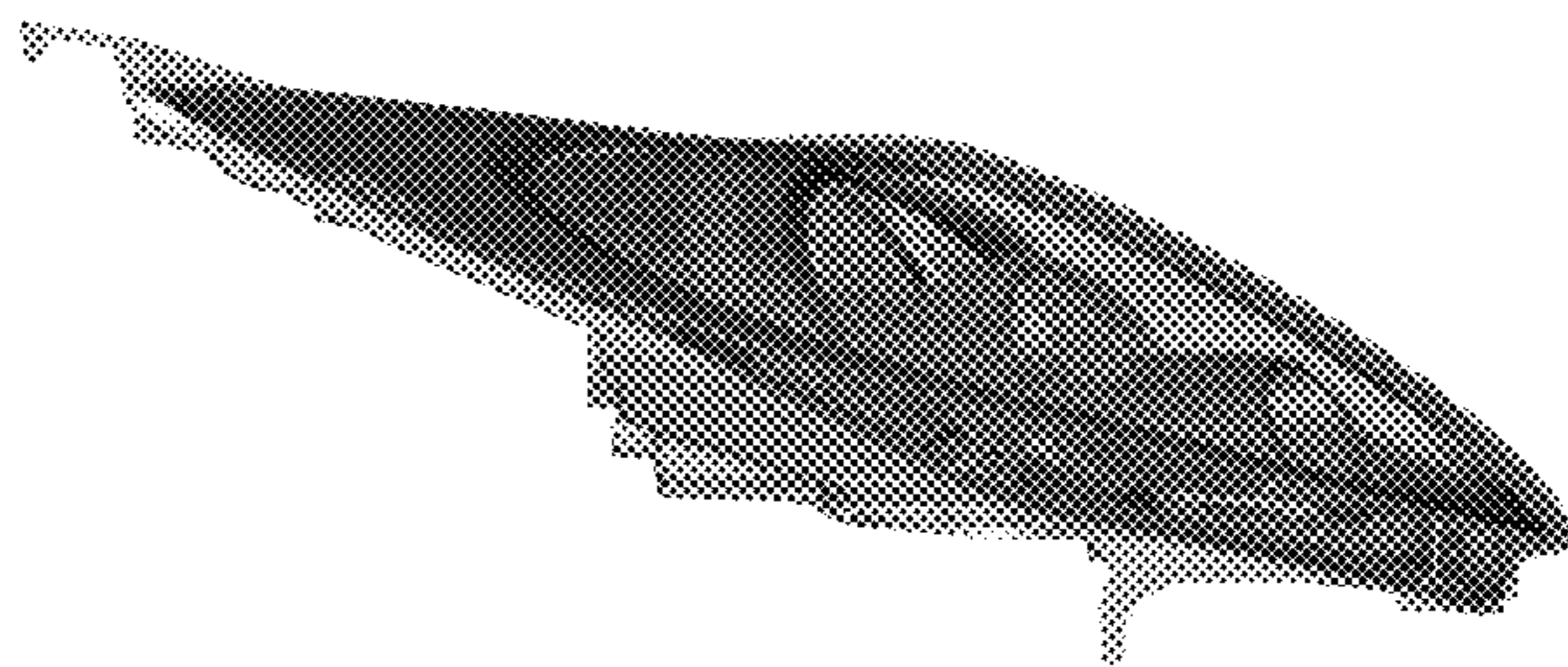
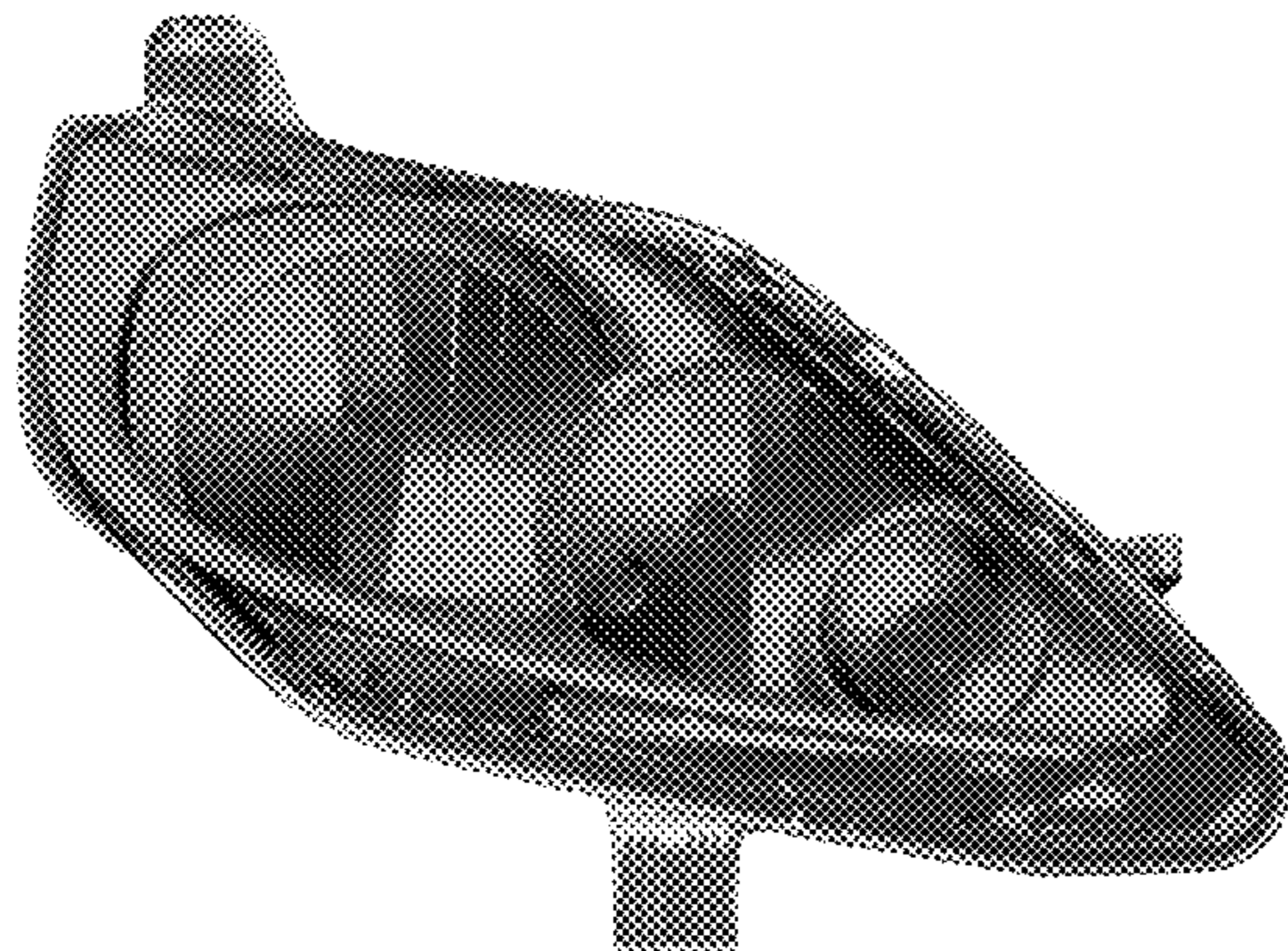




Figure 1



Figure 2

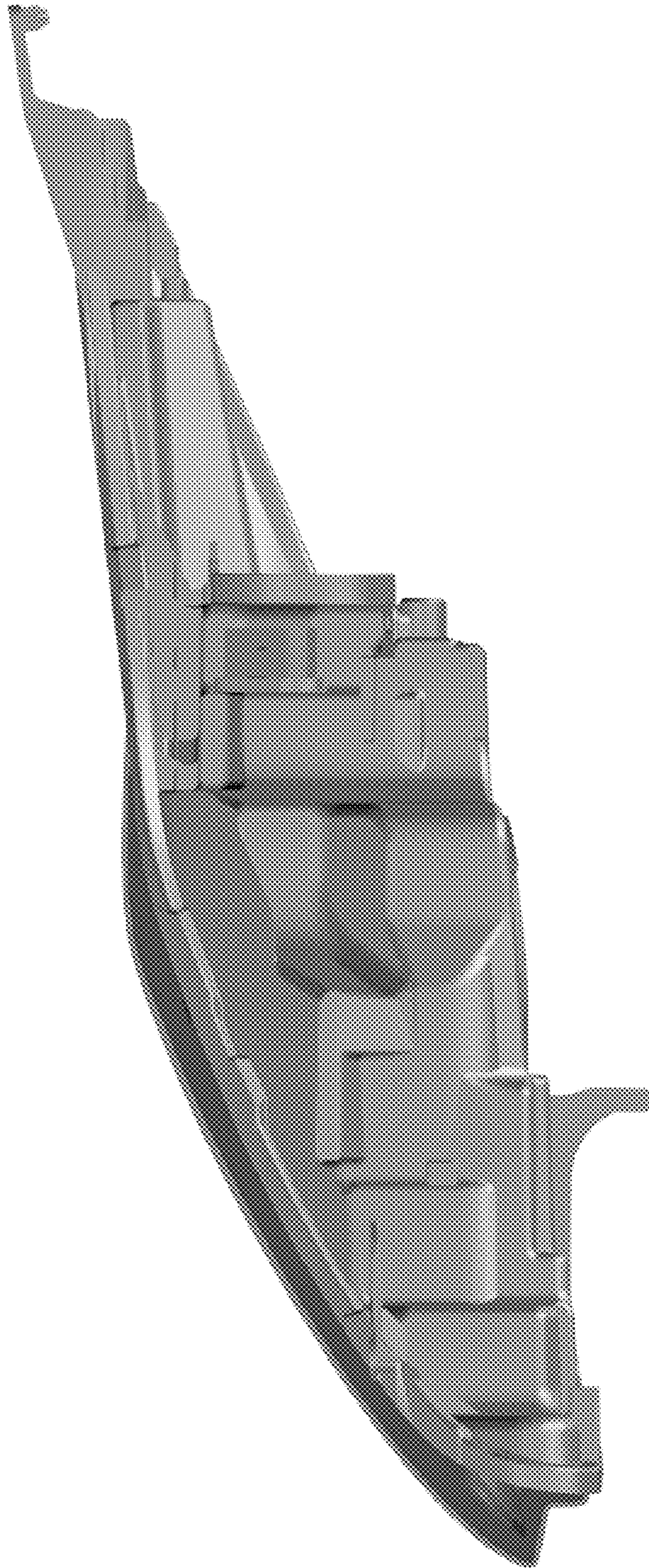


Figure 3

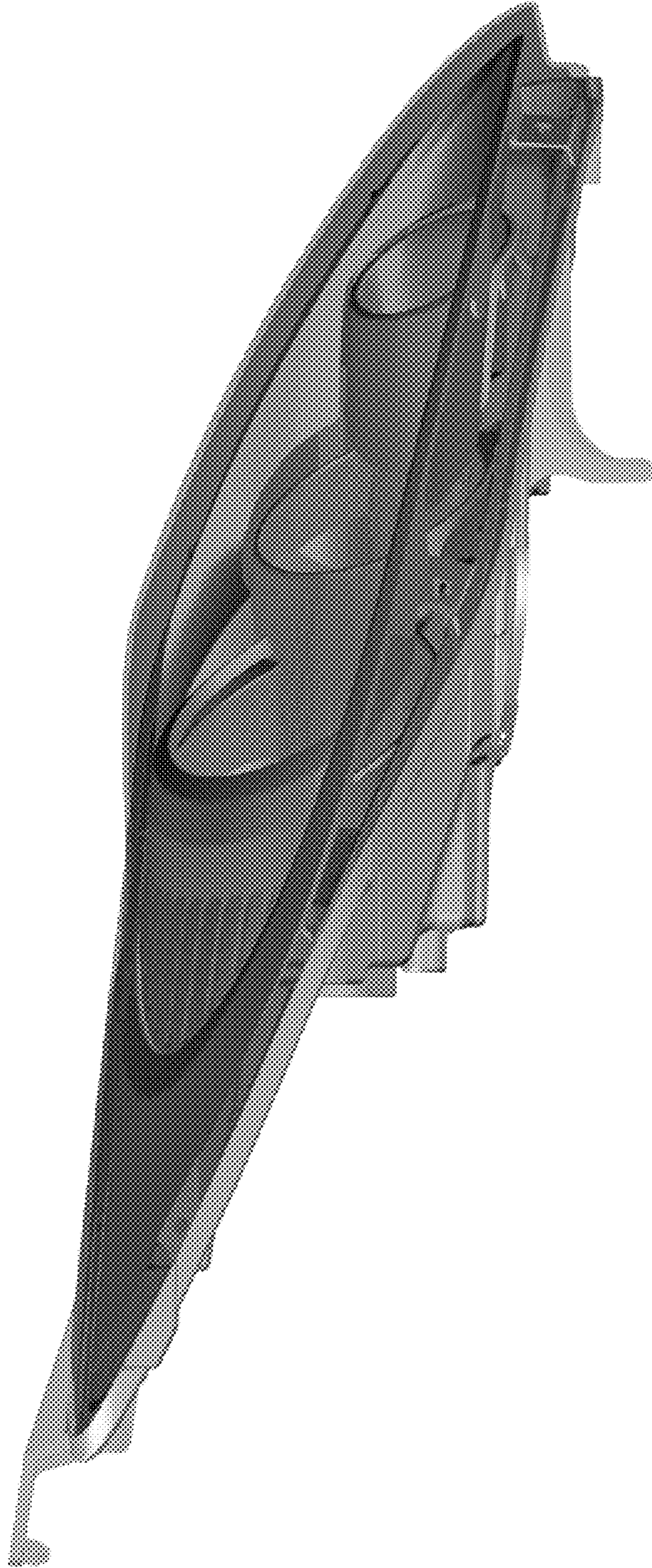
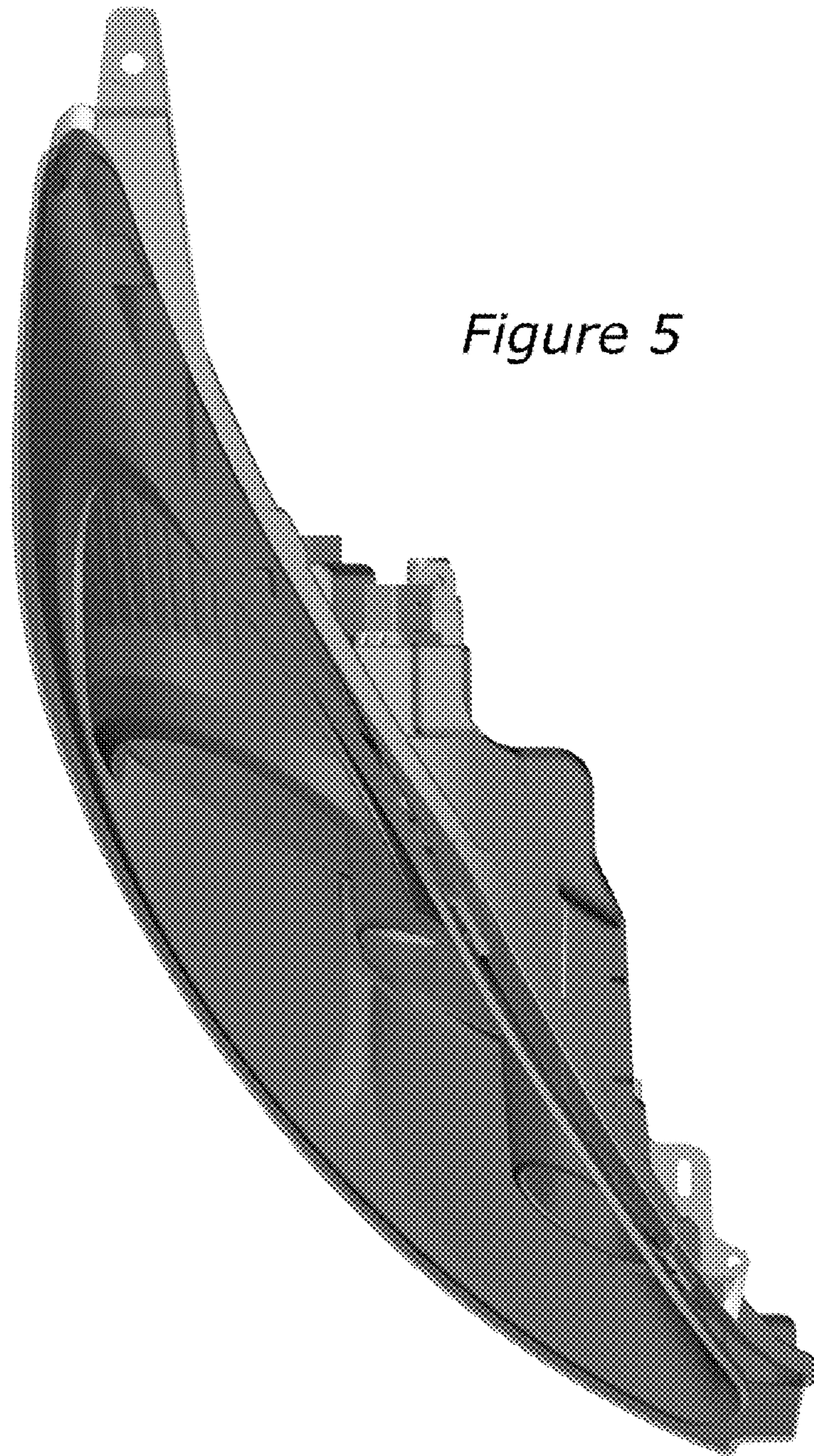
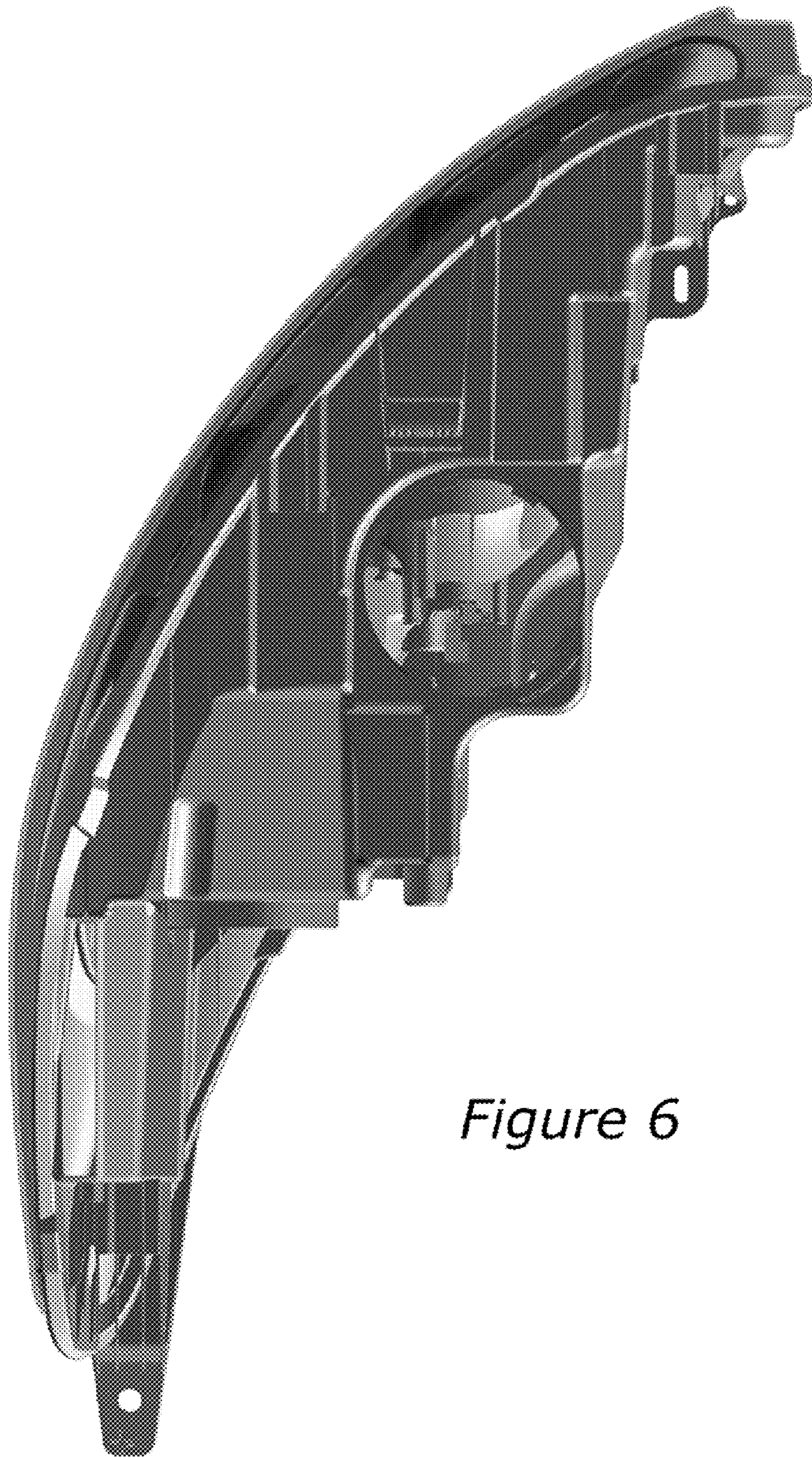


Figure 4



*Figure 5*



*Figure 6*

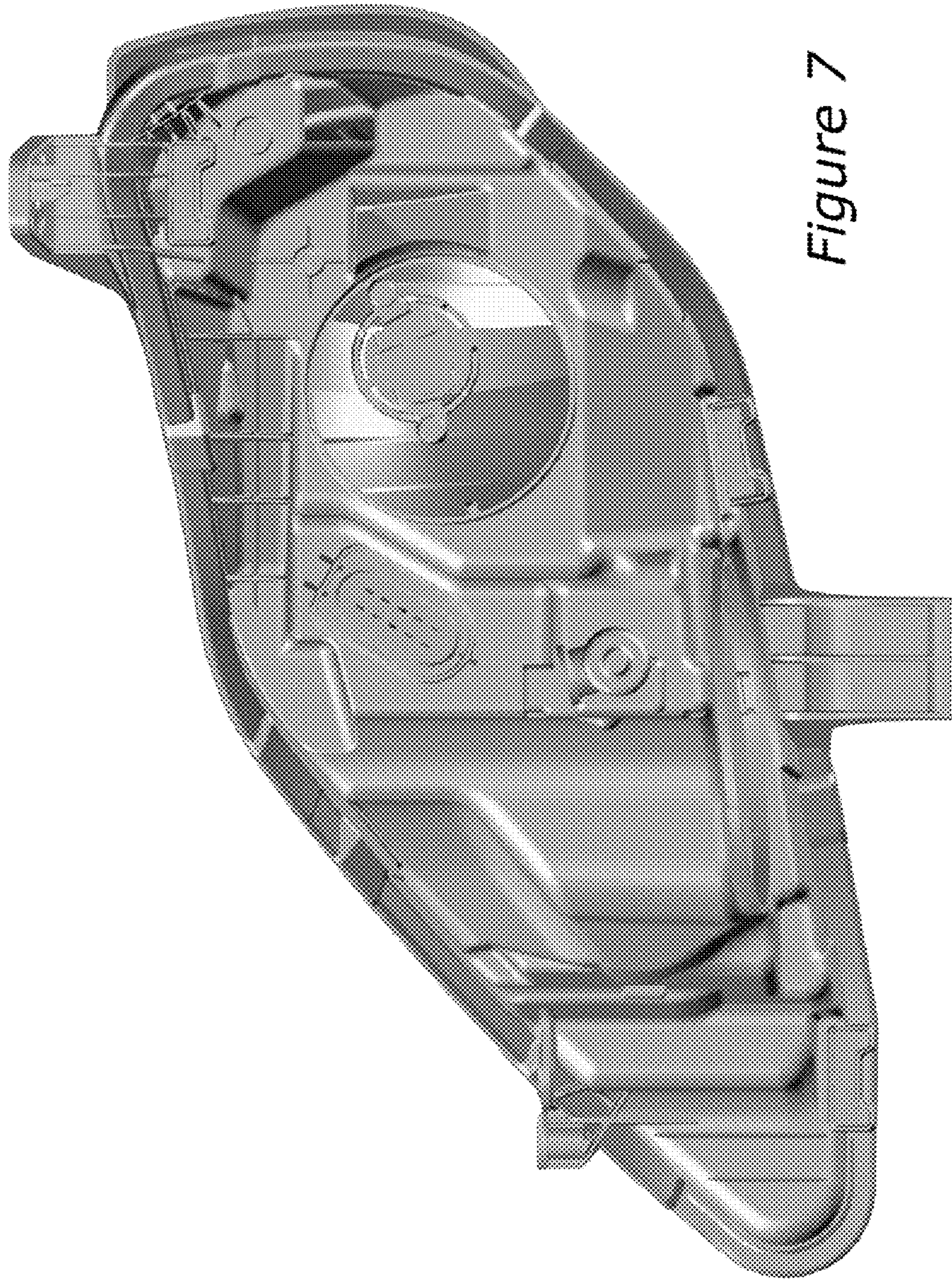


Figure 7